

Features

- Washout urinal.
- 3/4" top spud.
- 0.125 gpf (0.47 lpf) to 1.0 gpf (3.8 lpf).
- 14" (356 mm) extended rim.
- Will replace K-4904-ET.

Material

- Vitreous china.

Water Conservation & Rebates

- WaterSense-compliant when used with a 0.125 gpf or 0.5 gpf WaterSense flushometer.

Recommended Accessories

- K- 10668 WAVE DC 1/8 GPF Urinal Flushometer
- K- 10949 Tripoint™ DC 1/8 GPF Urinal Flushometer
- K- 13520 Manual 1/8 GPF Urinal Flushometer
- K- 7528 WAVE HES 1/8 GPF Urinal Flushometer
- K- 7546 Tripoint™ HES 1/8 GPF Urinal Flushometer
- K- 10675 WAVE DC 0.5 GPF Urinal Flushometer
- K- 10958 Tripoint™ DC 0.5 GPF Urinal Flushometer
- K- 7537 Tripoint™ HES 0.5 GPF Urinal Flushometer
- K- 7526 WAVE HES 0.5 GPF Urinal Flushometer
- K- 13519 Manual 0.5 GPF Urinal Flushometer
- K- 10676 WAVE DC 1.0 GPF Wshdwn Flushometer
- K- 10960 Tripoint™ DC 1.0 GPF Wshdwn Flushometer
- K- 13518 Manual 1.0 GPF Wshdwn Flushometer
- K- 7539 Tripoint™ HES 1.0 GPF Blwout Flushometer
- K- 7542 Tripoint™ HES 1.0 GPF Wshdwn Flushometer
- K- 7527 WAVE HES 1.0 GPF Wshdwn Flushometer

Components

Additional included component/s: 3/4" inlet spud, 2" outlet spud, Strainer, and Hangers (2).



ADA

Codes/Standards





ASME A112.19.2/CSA B45.1
DOE - Energy Policy Act 1992
EPA WaterSense®
ADA
ICC/ANSI A117.1

KOHLER® One-Year Limited Warranty

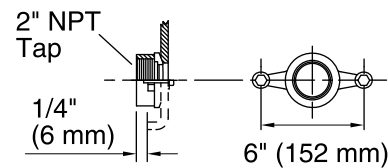
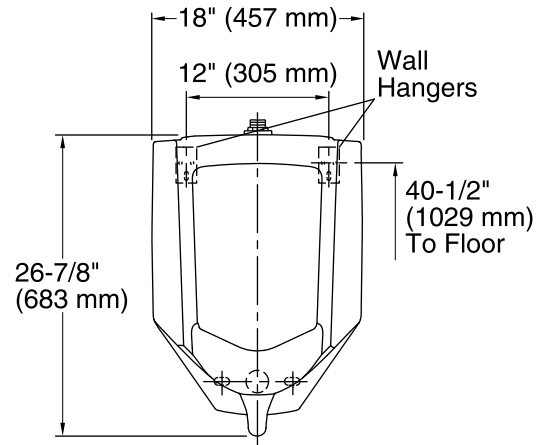
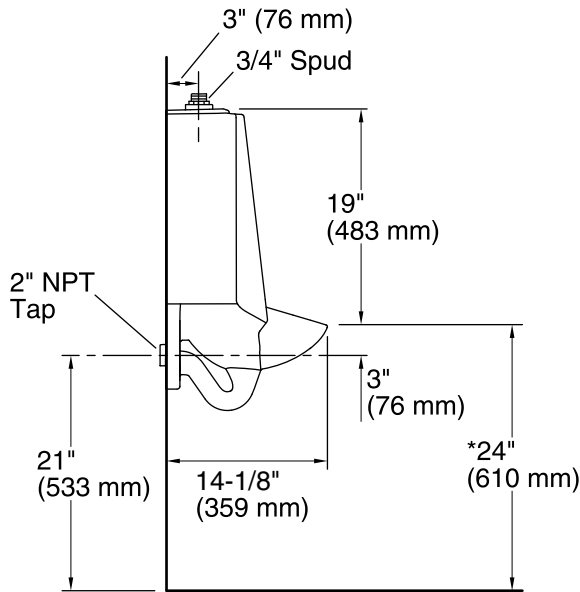
See website for detailed warranty information.

Available Color/Finishes

Color tiles intended for reference only.

Color	Code	Description
	0	White
	96	Biscuit
	47	Almond
	7	Black Black™

*Urinal complies with ADA requirements when rim is mounted no higher than 17" (432 mm) from finished floor.



Spud Detail

Technical Information

All product dimensions are nominal.

Flush outlet Washout
technology:

Spud size: 3/4", Inlet, Top

Min. Water per Flush: 0.125 gal (0.5 L)

Max. Water per Flush: 1 gal (3.8 L)

Designed for the above water use when installed with a water-saving flushometer.

Notes

Install this product according to the installation guide.

Refer to manufacturer's instructions and local codes for flushometer requirements.

ADA compliant when installed to the specific requirements of these regulations.