

CGS-C

Series

Efficient
Gas-Fired
Steam Boiler



- **Up to 82.2% AFUE**
- **69 to 241 MBH**
 - In 6 sizes
- **Built-in draft diverter**
 - Fits in low spaces
- **Natural or LP gas**
- **Electronic ignition**
- **Stainless steel burners**
- **Cast iron heat exchanger**
 - Meets the ASME Boiler and Pressure Vessel Code
- **Metal section connectors**
 - Resist chemicals, increases the life of the boiler
- **Fully assembled**
- **10-year limited warranty**
 - See your installing contractor for more warranty information



New Yorker[®]
RESIDENTIAL HEATING BOILERS

MADE IN

U . S . A .

Ratings & Specifications



Model	Input Gas (MBH)	DOE Heating Capacity (MBH)	Net AHRI Steam (MBH)	Steam Sq. Ft.	AFUE %
CGS30C	69	56	42	175	81.9
CGS40C	103	84	63	263	82.0
CGS50C	138	113	85	354	82.0
CGS60C	172	142	107	446	82.1
CGS70C	207	171	128	533	82.1
CGS80C	241	199	149	621	82.2

The Net AHRI Steam Ratings shown are based on a piping and pickup allowance of 1.333. The manufacturer should be consulted before selecting a boiler for installations having unusual piping and pickup requirements, such as intermittent system operation, extensive piping systems, etc.

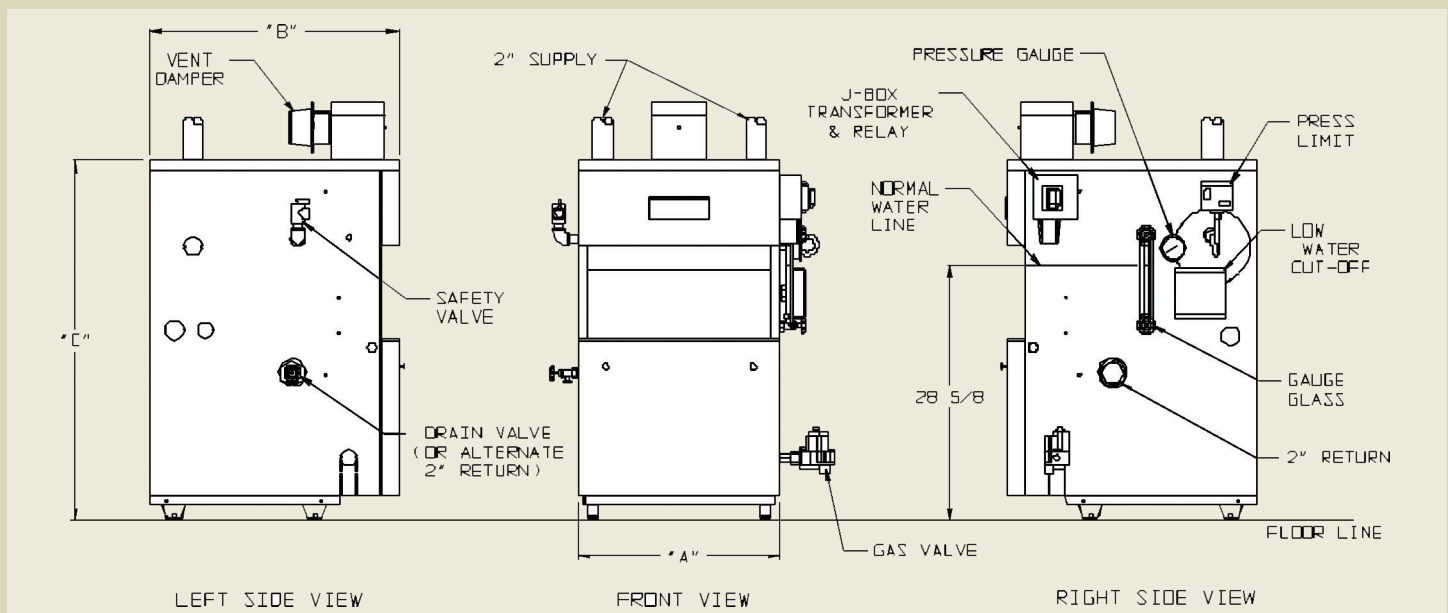
Ratings shown are for installations at sea level and elevations up to 2,000 feet. For higher elevations, reduce ratings 4% for each 1,000 feet above sea level.

Standard Features

- Fully packaged
- Insulated jacket
- Pressure limit
- 15 PSI safety valve
- Honeywell gas valve
- Probe-type LWCO
- Steam pressure gauge
- Built-in draft diverter
- Flame roll out switch
- Blocked vent switch
- Vent damper
- Drain valve



Model	Number of Sections	Dimensions (inches)				Approximate Ship Weight (lbs.)
		A	B	C	Flue Collar Diameter	
CGS30C	3	12-3/4	28	40-7/16	4	350
CGS40C	4	16	28	40-7/16	5	420
CGS50C	5	19-1/4	28	40-7/16	6	485
CGS60C	6	22-1/2	28	40-7/16	6	555
CGS70C	7	25-3/4	30	40-7/16	7	620
CGS80C	8	29	30	40-7/16	7	690



©2014 New Yorker Boiler Company, Inc., Hatfield, PA
 info@newyorkerboiler.com
 www.newyorkerboiler.com
 NYL02141-5Ms

