

## SPECIFICATIONS

# FIGURE 7502S

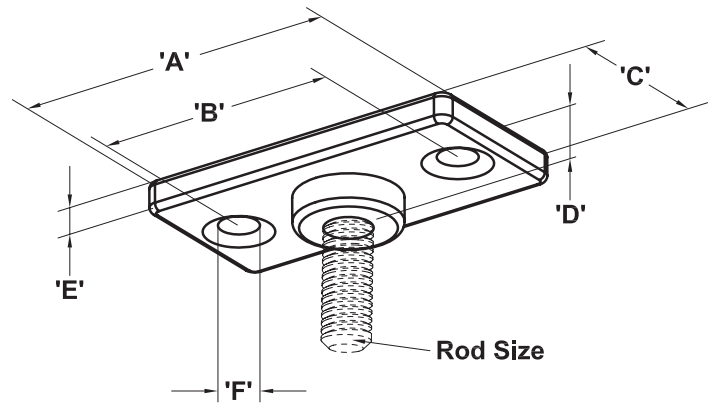
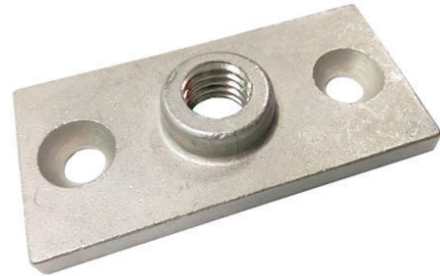
## ATTACHMENTS



## BEAM CEILING FLANGE

### FEATURES

- Finish: Stainless steel
- Material: Malleable iron, 304 stainless steel
- ASTM A47 Grade 32510
- Hanger rod not included



### REFERENCE CHART

Catalog Number	Finish	Rod Size	Max Load (lbs)	Dimensions (in.)						Wt. (oz.)
				A	B	C	D	E	F	
FNW7502SC	Stainless Steel	3/8"–16UNC	180	2.75	2.00	1.36	0.46	0.21	0.29	2.88
FNW7502SD	Stainless Steel	1/2"–13UNC	200	2.75	2.00	1.36	0.46	0.21	0.29	2.88