

SPECIFICATIONS

FIGURE 7001S HANGERS



NO HINGE SPLIT RING W/ 2 BOLTS

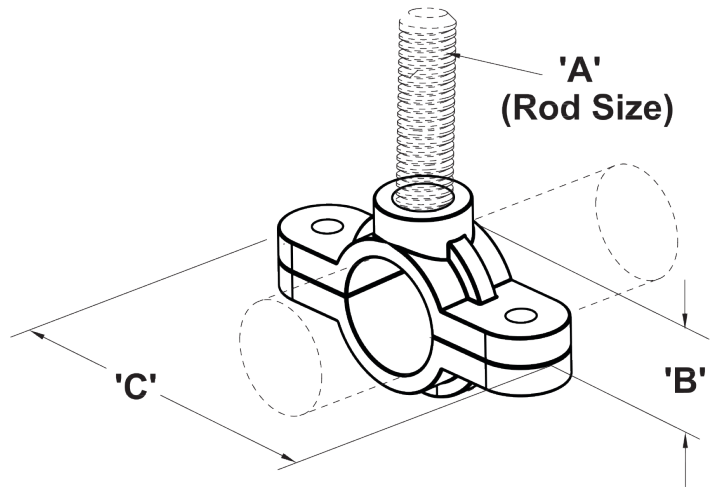
FEATURES

- Finish: Stainless
- MSS SP-58, type 12
- Material: 304 Stainless Steel

A - Rod size (hanger rod and nuts not included)

B - Center of pipe to top of hanger

C - Width of hanger



Catalog Number	Pipe Size		A (Rod Size)	B (in.)	C (in.)	Max Load (lbs)	Weight (oz)
	in.	mm					
FNW7001SC	3/8	17.2	3/8"-16	0.60	2.03	180	1.28
FNW7001SD	1/2	21.3	3/8"-16	0.68	2.20	180	1.44
FNW7001SF	3/4	26.6	3/8"-16	0.82	2.50	180	1.76
FNW7001SG	1	33.4	3/8"-16	0.96	2.83	180	2.24
FNW7001SH	1-1/4	42.1	3/8"-16	1.16	3.21	180	2.72
FNW7001SJ	1-1/2	48.2	3/8"-16	1.27	3.44	180	3.04
FNW7001SK	2	60.3	3/8"-16	1.52	3.92	180	3.68
FNW7001SL	2-1/2	73.0	1/2"-13	1.96	4.80	300	6.4
FNW7001SM	3	88.9	1/2"-13	2.29	5.50	300	7.84
FNW7001SP	4	114.3	1/2"-13	2.80	6.62	300	9.6