

# SPECIFICATIONS

## FIGURE 7005S HANGERS



### STANDARD DUTY ADJUSTABLE CLEVIS HANGER

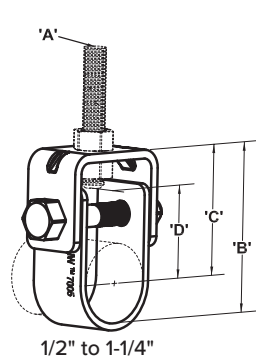
#### FEATURES

- Finish: 304 Stainless Steel
- Hanger body: ASTM A240
- Stud, nut: SS304

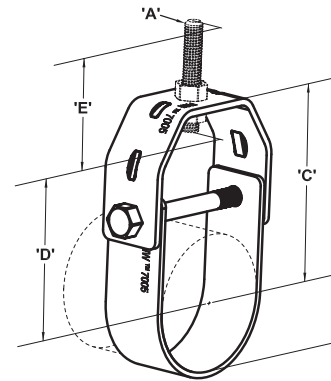
#### PRODUCT SPECIFICATIONS

##### Standards

- Design: MSS SP-58, Type 1
- Federal Specification: WW-H-171, Type 1



1/2" to 1-1/4"



1-1/2" to 12"

##### Note:

- A - Rod size (hanger rod and nuts not included)
- B - Bottom of pipe to top of hanger
- C - Center of pipe to top of hanger
- D - Rod take out (center of pipe to bottom of hanger rod)
- E - Minimum thread length of hanger rod
- F - Adjustment, top of cross bolt to bottom of hanger rod nut inside hanger

#### DIMENSIONS

Catalog Number	Pipe Size		A Rod Size	B		C		D	
	in.	mm		in.	mm	in.	mm	in.	mm
FNW7005S0050	1/2	21.3	3/8 – 16	2	50	1.54	39	0.37	9.5
FNW7005S0075	3/4	26.6	3/8 – 16	2.28	58	1.73	44	0.6	15.3
FNW7005S0100	1	33.4	3/8 – 16	2.68	68	2	51	0.89	22.5
FNW7005S0125	1-1/4	42.1	3/8 – 16	3.31	84	2.44	62	1.26	31.9
FNW7005S0150	1-1/2	48.2	3/8 – 16	3.86	98	2.87	73	1.77	44.9
FNW7005S0200	2	60.3	3/8 – 16	4.41	112	3.19	81	1.94	49.4
FNW7005S0250	2-1/2	73.0	1/2 – 13	5.12	130	3.66	93	2.28	57.9
FNW7005S0300	3	88.9	1/2 – 13	6	151	4.13	105	2.72	69.2
FNW7005S0350	3-1/2	101.6	1/2 – 13	6.54	166	4.49	114	3.08	78.2
FNW7005S0400	4	114.3	5/8 – 11	7.48	190	5.16	131	3.69	93.6
FNW7005S0500	5	141.3	5/8 – 11	9.21	234	6.38	162	4.61	117.0
FNW7005S0600	6	168.2	3/4 – 10	10.51	267	7.13	181	5.31	134.8
FNW7005S0800	8	219.1	3/4 – 10	13	328	8.5	216	6.48	164.7
FNW7005S1000	10	273.1	7/8 – 9	15.51	394	10	254	7.65	194.2
FNW7005S1200	12	323.9	7/8 – 9	18.62	473	12.13	308	9.75	247.6

Catalog Number	Pipe Size		E		F		Bolt Size	Design Load		Weight lbs
	in.	mm	in.	mm	in.	mm		lbs	kN	
FNW7005S0050	1/2	21.3	2.5	63.5	0.44	11.1	1/4 – 20UNC	610	2.71	0.12
FNW7005S0075	3/4	26.6	2.5	63.5	0.5	12.7	1/4 – 20UNC	610	2.71	0.14
FNW7005S0100	1	33.4	2.5	63.5	0.63	15.9	1/4 – 20UNC	610	2.71	0.16
FNW7005S0125	1-1/4	42.1	2.5	63.5	0.87	22.2	1/4 – 20UNC	610	2.71	0.24
FNW7005S0150	1-1/2	48.2	2.5	63.5	1.19	30.2	1/4 – 20UNC	610	2.71	0.25
FNW7005S0200	2	60.3	2.5	63.5	1.63	41.3	1/4 – 20UNC	610	2.71	0.35
FNW7005S0250	2-1/2	73.0	2.5	63.5	2	50.8	3/8 – 16UNC	1130	5.02	0.61
FNW7005S0300	3	88.9	2.5	63.5	2	50.8	3/8 – 16UNC	1130	5.02	0.71
FNW7005S0350	3-1/2	101.6	2.5	63.5	2	50.8	3/8 – 16UNC	1130	5.02	0.79
FNW7005S0400	4	114.3	2.5	63.5	2	50.8	3/8 – 16UNC	1430	6.36	1.00
FNW7005S0500	5	141.3	2.5	63.5	2	50.8	1/2 – 13UNC	1430	6.36	1.67
FNW7005S0600	6	168.2	3	76.2	2	50.8	1/2 – 13UNC	1940	8.62	3.05
FNW7005S0800	8	219.1	3.5	88.9	2.31	58.7	5/8 – 11UNC	2000	8.89	4.11
FNW7005S1000	10	273.1	3.5	88.9	2.31	58.7	3/4 – 10UNC	3600	16.00	6.75
FNW7005S1200	12	323.9	3.5	88.9	2.63	66.7	3/4 – 10UNC	3800	16.89	7.88