

SPECIFICATIONS

FIGURE 360A STAINLESS STEEL BALL VALVES



3 PC FULL PORT 1000 WOG

FEATURES

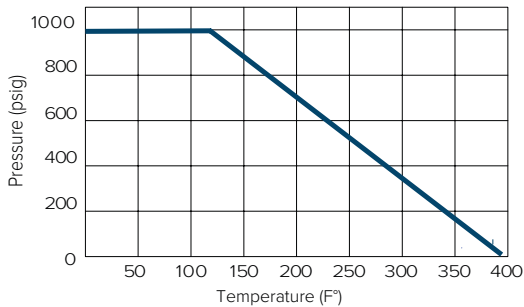
- 1000 WOG
- 150 psi WSP
- Working temp: -4°F–392°F (-20°C–200°C)
- Investment cast body
- Blow-out proof stem
- ISO 5211 mounting pad
- Stainless steel handle
- Locking lever
- RTFE seats
- Replacement locking handle kits available
- Manufactured silicone free
- End connections:
 - Threaded
 - Socket weld



PRODUCT SPECIFICATIONS

Standards

- Design: With Reference to ASME B16.34, MSS SP-110
- End Connections: NPT-ASME B1.20.1



CV, TORQUE & WEIGHT

Size	Cv	Torque (in-lbs)	Wt. (lbs)
1/4	22.2	62.0	0.9
3/8	25.2	62.0	0.9
1/2	36.6	62.0	1.1
3/4	68.1	79.7	1.5
1	109.3	132.8	2.4
1-1/4	184.8	159.3	3.7
1-1/2	268.0	221.0	5.3
2	486.0	309.8	7.9
2-1/2	791.4	486.8	14.8
3	1150.3	619.5	21.6

FIGURE NUMBER MATRIX

FNW 360A <input type="checkbox"/>	
SIZE	
SIZE CODE	
1/4 = B	1 = G
3/8 = C	1-1/4 = H
1/2 = D	1-1/2 = J
3/4 = F	2 = K

KIT CODES (ORDER SEPARATELY)

FNW 360A <input type="checkbox"/>	
KIT	SIZE
KIT TYPE	
SIZE CODE	
Locking Handle = LHK	1/4–1/2 = BD
Repair Kit = RK	3/4 = F
	1–1-1/4 = GH
	1-1/2–2 = JK
	3 = LM

REPAIR KITS (ORDER SEPARATELY)

FNW 360ARK <input type="checkbox"/>	
SIZE	
SIZE CODE	
1/4 = B	1-1/4 = H
3/8 = C	1-1/2 = J
1/2 = D	2 = K
3/4 = F	2-1/2 = L
1 = G	3 = M

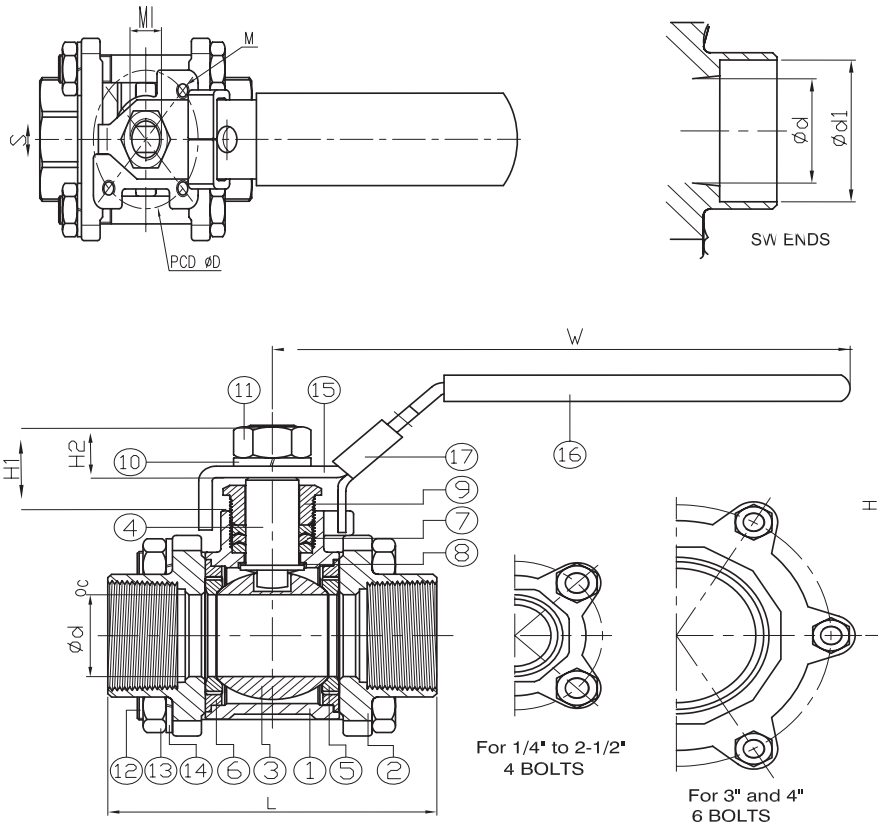
Note: 1/4" and 2-1/2" not offered in SW

SPECIFICATIONS

FIGURE 360A
STAINLESS STEEL BALL VALVES



3 PC FULL PORT 1000 WOG



STANDARD MATERIALS

Item	Parts	Material
1	Body	ASTM A351-CF8M
2	Cap	
3	Ball	ASTM A351-CF8M
4	Stem	ASTM A276-316
5	Seat	RTFE
6	Seat	PTFE
7	Packing	
8	Thrust Washer	AISI 304
9	Gland Nut	
10	Spring Washer	Stainless Steel
11	Stem Nut	
12	Nut	PVC
13	Nut	
14	Spring Washer	Stainless Steel
15	Handle	
16	Handle Sleeve	
17	Locking Device	

DIMENSIONS (INCHES) STANDARD MATERIALS

NPS	d	L	H	W	D	A	M	M1	H1	H2	S	ISO 5211
1/4	0.46	2.56	2.30	4.07	1.42	1.57	#10-24UNC	3/8-24UNF	0.76	0.53	0.20	F3
3/8	0.49	2.56	2.30	4.07	1.42	1.57	#10-24UNC	3/8-24UNF	0.76	0.53	0.20	F3
1/2	0.59	2.56	2.42	4.07	1.42	1.84	#10-24UNC	3/8-24UNF	0.76	0.53	0.20	F3
3/4	0.79	2.95	2.54	4.76	1.42	2.06	#10-24UNC	7/16-20UNF	0.88	0.63	0.26	F3
1	0.98	3.35	3.15	5.79	1.65	2.29	#10-24UNC	7/16-20UNF	1.01	0.64	0.31	F4
1-1/4	1.26	3.98	3.35	5.79	1.65	2.74	#10-24UNC	7/16-20UNF	1.01	0.64	0.31	F4
1-1/2	1.50	4.41	4.08	7.40	1.97	3.06	1/4-20UNC	1/2-20UNF	1.17	0.79	0.39	F5
2	1.97	5.12	4.36	7.40	1.97	3.55	1/4-20UNC	1/2-20UNF	1.17	0.79	0.39	F5
2-1/2	2.48	6.38	5.40	9.84	2.76	4.51	5/16-18UNC	3/4-10UNC	1.55	1.08	0.47	F7
3	2.99	7.40	5.74	9.84	2.76	6.64	5/16-18UNC	3/4-10UNC	1.55	1.08	0.47	F7