

FIGURE 260A

STAINLESS STEEL BALL VALVES



2 PC FULL PORT 1000 WOG

FEATURES

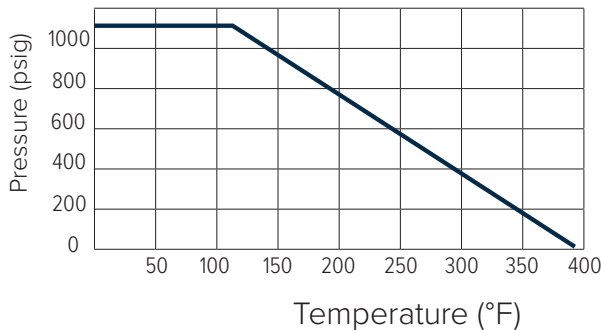
- 1000 WOG
- 150 psi WSP
- Working temp: -4°F–392°F (-20°C–200°C)
- Investment cast body
- Blow-out proof stem
- Stainless steel handle
- Locking lever
- RTFE seats
- Replacement locking handle kits available
- Manufactured silicone-free product specifications



PRODUCT SPECIFICATIONS

Standards

- Design: With reference to ASME B16.34, MSS SP-110
- End connections: ASME B1.20.1
- Seat/shell test: MSS SP-110



CV, TORQUE & WEIGHT

Size	Cv	Torque (in-lbs)	Wt. (lbs)
1/4	22.2	62	0.5
3/8	25.2	62	0.5
1/2	36.6	62	0.7
3/4	68.1	79.7	1.0
1	109.3	132.8	1.7
1-1/4	184.8	159.3	2.5
1-1/2	268.0	221.3	3.9
2	486.0	309.8	5.9

FIGURE NUMBER MATRIX

FNW 260A	
Size Code	
1/4" = B	1" = G
3/8" = C	1-1/4" = H
1/2" = D	1-1/2" = J
3/4" = F	2" = K

REPAIR KITS (ORDER SEPARATELY)

FNW 260ARK	
Size Code	
1/4" = B	1" = G
3/8" = C	1-1/2" = J
1/2" = D	2" = K
3/4" = F	

KIT CODES (ORDER SEPARATELY)

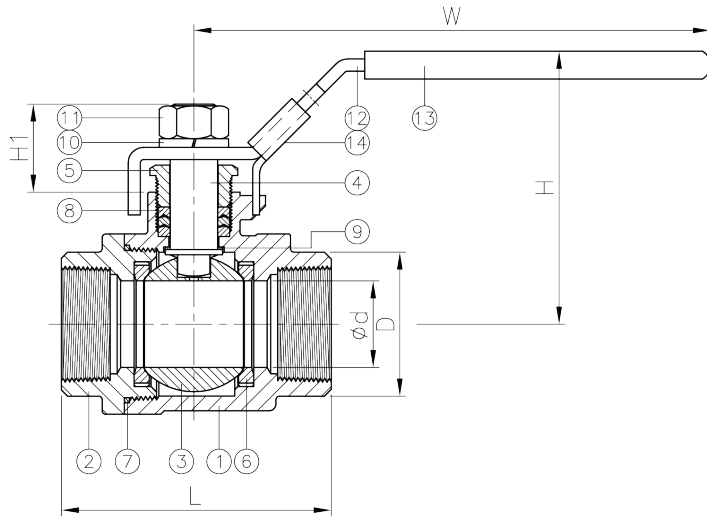
FNW 260A	
Kit Type	Size Code
Locking Handle = LHK	1/4"~1/2" = BD
	3/4" = F
	1"–1-1/4" = GH
	1-1/2"~2" = JK

FIGURE 260A

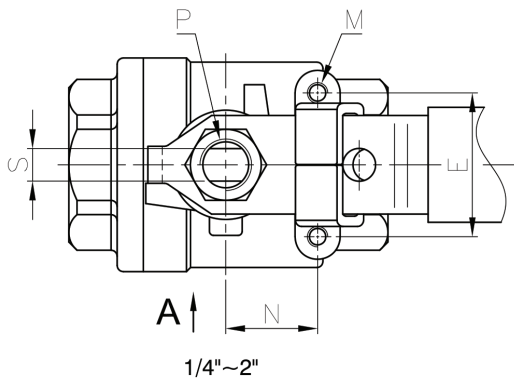
STAINLESS STEEL BALL VALVES



2 PC FULL PORT 1000 WOG



Item	Parts	Material	Qty
1	Body	ASTM A351 CF8M	1
2	Cap	ASTM A351 CF8M	1
3	Ball	ASTM A351-CF8M	1
4	Stem	ASTM A276-316	1
5	Gland	AISI 304	1
6	Ball Seat	RTFE	2
7	Body-Seal	PTFE	1
8	Packing	PTFE	1 Set
9	Thrust Washer	PTFE	1
10	Spring Washer	AISI 304	1
11	Nut	AISI 304	1
12	Handle	Stainless Steel	1
13	Handle Sleeve	PVC	1
14	Lock Device	Stainless Steel	1



NPS	d	D	L	H	H1	W	S	E	N	P	M
1/4"	0.46	0.75	2	2.3	0.73	3.92	0.2	1.12	0.5	3/8"-24UNF	3/16"
3/8"	0.49	0.89	2	2.3	0.73	3.92	0.2	1.12	0.5	3/8"-24UNF	3/16"
1/2"	0.59	1.02	2.28	2.38	0.74	3.92	0.2	1.12	0.5	3/8"-24UNF	3/16"
3/4"	0.79	1.26	2.58	2.48	0.92	4.84	0.26	1.12	0.5	7/16"-20UNF	3/16"
1"	0.98	1.5	3.1	3.13	1.03	5.87	0.31	1.38	0.88	7/16"-20UNF	3/16"
1-1/4"	1.26	1.89	3.54	3.39	0.93	5.87	0.31	1.38	0.88	7/16"-20UNF	1/4"
1-1/2"	1.5	2.16	4.13	4	1.11	7.48	0.39	1.5	0.91	1/2"-20UNF	1/4"
2"	1.97	2.64	4.88	4.3	1.11	7.48	0.39	1.5	0.91	1/2"-20UNF	1/4"