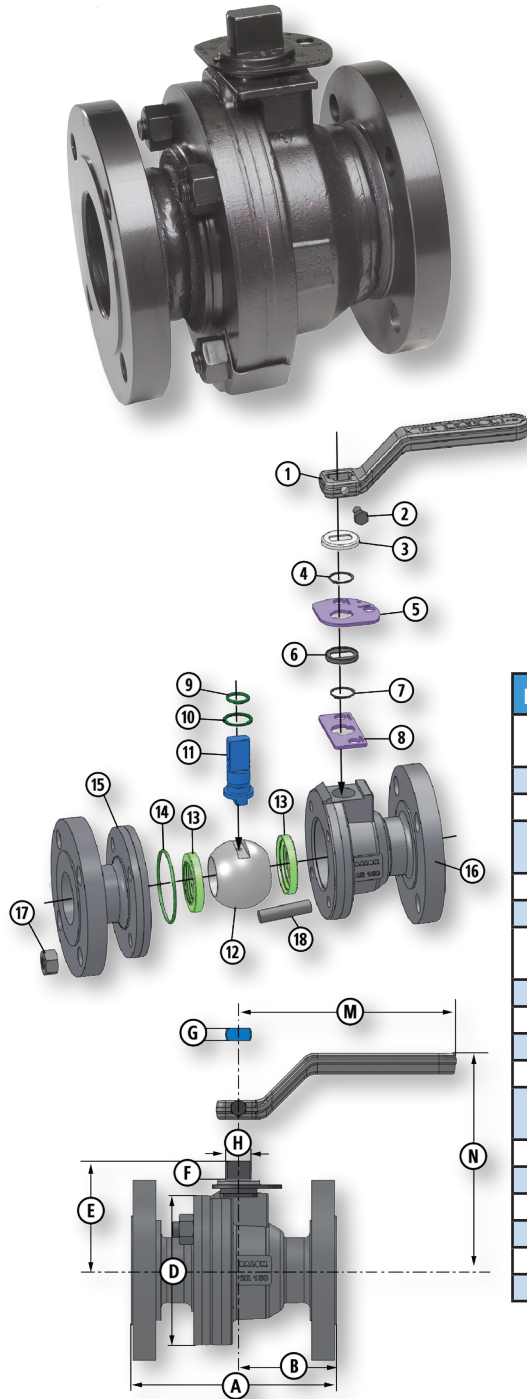


Flanged End Connection

Series F Carbon Steel

- Lever Operated Ball Valve
- ANSI Class 150 (285 PSI WP)
- 1" Through 6"
- Bolted Body Construction
 - Meets API 641 Emissions Standard
 - Available in Low-Temp Service to -50° F
 - Multi-Seal Seats
 - Fire Safe Design
 - NACE Option With 316 Stainless Steel Ball and Stem Available
 - Rugged Locking Device Standard
 - Maintenance Free



Material Description

ITEM	PART NAME	MATERIAL (STANDARD)	MATERIAL (NACE)	LOW TEMP (NACE)
1	Handle*	Carbon Steel/ Ductile Iron	Carbon Steel/ Ductile Iron	Carbon Steel/ Ductile Iron
2	Handle Bolt	Standard Hex Bolt	Standard Hex Bolt	Standard Hex Bolt
3	Weather Guard	Polyethylene	Polyethylene	Polyethylene
4	Lock Plate Retainer	Carbon Spring Steel	Carbon Spring Steel	Carbon Spring Steel
5	Lock Plate	Carbon Steel	Carbon Steel	Carbon Steel
6	Dust Cover	Polyethylene	Polyethylene	Polyethylene
7	Stop Plate Retainer	Carbon Spring Steel	Carbon Spring Steel	Carbon Spring Steel
8	Stop Plate	Carbon Steel	Carbon Steel	Carbon Steel
9	Stem O-Ring	Buna-N	Fluorocarbon	Fluorocarbon
10	Stem Seal	TFE	TFE	TFE
11	Stem	Carbon Steel	316 Stainless Steel	316 Stainless Steel
12	Ball	Carbon Steel	316 Stainless Steel	316 Stainless Steel
13	Ball Seat	Nylon 11 (TFE Optional)	Nylon 11 (TFE Optional)	Nylon 11 (TFE Optional)
14	Body O-Ring	Buna-N	Fluorocarbon	Fluorocarbon
15	End Adapter	ASTM A105, Normalized	ASTM A105, Normalized	ASTM A350 LF2 CL1
16	Body	ASTM A105, Normalized	ASTM A105, Normalized	ASTM A350 LF2 CL1
17	Nuts	ASTM A194 2H	ASTM A194 2HM	ASTM A320 7M
18	Body Bolts	ASTM A193 B7	ASTM A193 B7M	ASTM A320 L7M

* Handle is optional. Balon valves can also be operated with a standard open-end wrench.

* Seat selection may result in de-rating of pressure. See Seat Pressure Ratings chart on page B-37 for more information.

Dimensional Data

SIZE	CATALOG NUMBER			PORT	A	B	D	E	F	G	H	M	N	LBS.	HANDLE	Cv
	STANDARD TRIM CARBON STEEL BALL & STEM	NACE TRIM 316 SS BALL & STEM	LOW TEMP 316 SS BALL & STEM													
1x1x1	1F-F13-RF	1F-F13N-RF	1F-F13NL-RF	1	5.0	2.00	3.37	2.37	0.50	.340	0.685	4.37	2.00	8.4	P-333-CS	-
2x1.5x2	2R-F13-RF	2R-F13N-RF	2R-F13NL-RF	1.5	7.0	3.25	5.00	3.62	0.75	.434	0.873	7.25	5.25	21.5	P-4128-CS	125
2x2x2	2F-F13-RF	2F-F13N-RF	2F-F13NL-RF	2	7.0	2.75	6.00	4.37	0.87	.497	0.998	10.25	6.20	28.0	P-4129-CS	-
3x2x3	3R-F13-RF	3R-F13N-RF	3R-F13NL-RF	2	8.0	3.00	6.00	4.37	0.87	.497	0.998	10.25	6.20	40.0	P-4129-CS	200
3x3x3	3F-F13-RF	3F-F13N-RF	3F-F13NL-RF	3	8.0	3.56	7.50	5.75	1.06	.747	1.373	20.0	7.75	54.0	P-4127-DI	-
4x3x4	4R-F13-RF	4R-F13N-RF	4R-F13NL-RF	3	9.0	4.06	7.87	5.75	1.06	.747	1.373	20.0	7.75	70.0	P-4127-DI	525
4x4x4	4F-F13-RF	4F-F13N-RF	4F-F13NL-RF	4	9.0	4.06	9.00	6.37	1.06	.747	1.373	20.0	8.37	80.0	P-4127-DI	-
6x4x6	6R-F13-RF	6R-F13N-RF	N/A	4	10.5	4.81	9.37	6.37	1.06	.747	1.373	20.0	8.37	102	P-4127-DI	800

* Balon manufactured Actuation Mounting Hardware available. Please see page A-2 for details.

*Also available with Balon Gear Operator

BALON

12.2019.Rev.1