



REFRIGERATOR USER INSTRUCTIONS

THANK YOU for purchasing this high-quality product. Register your new refrigerator at www.whirlpool.com. In Canada, register your refrigerator at www.whirlpool.ca.

For future reference, please make a note of your product model and serial numbers. These can be located on the inside wall of the refrigerator compartment.

Model Number _____ Serial Number _____

Table of Contents / Índice / Table des matières

REFRIGERATOR SAFETY	2	SEGURIDAD DEL REFRIGERADOR	21	SÉCURITÉ DU RÉFRIGÉRATEUR	41
INSTALLATION INSTRUCTIONS	3	Cómo deshacerse adecuadamente	de su refrigerador viejo	Mise au rebut appropriée	de votre vieux réfrigérateur
Unpack the Refrigerator.....	3		22		42
Proper Disposal of Your Old Refrigerator.....	3	INSTRUCCIONES DE INSTALACIÓN	22	INSTRUCTIONS D'INSTALLATION	42
Location Requirements.....	4	Desempaque el refrigerador	22	Déballage du réfrigérateur	42
Electrical Requirements	4	Requisitos de ubicación.....	23	Exigences d'emplacement	43
Water Supply Requirements.....	4	Requisitos eléctricos.....	23	Spécifications électriques.....	43
Connect the Water Supply.....	5	Requisitos del suministro de agua.....	24	Spécifications de l'alimentation en eau	44
Refrigerator Doors.....	6	Conexión del suministro de agua	24	Raccordement de la canalisation d'eau	44
Reversibility Kit Instructions.....	11	Puertas del refrigerador	25	Portes du réfrigérateur	45
Adjust the Doors	11	Instrucciones del juego para	invertir el cierre de la puerta.....	Instructions pour l'ensemble	d'inversion du sens d'ouverture
REFRIGERATOR USE	12	Ajuste las puertas.....	30	Ajustement des portes.....	50
Using the Controls	12	USO DE SU REFRIGERADOR	31	UTILISATION DU RÉFRIGÉRATEUR	51
Ice Maker.....	12	Uso de los controles	31	Utilisation des commandes	51
REFRIGERATOR FEATURES	13	Fábrica de hielo.....	32	Machine à glaçons.....	52
Refrigerator Shelves.....	13	CARACTERÍSTICAS		CARACTÉRISTIQUES	
Deli Drawer	13	DEL REFRIGERADOR	32	DU RÉFRIGÉRATEUR	52
Crisper	13	Estantes del refrigerador.....	32	Tablettes du réfrigérateur.....	52
FREEZER FEATURES	14	Cajón para carnes frías	32	Tiroir pour spécialités alimentaires	52
Wire Freezer Shelf	14	Cajón para verduras.....	33	Bac à légumes	53
Glass Freezer Shelf	14	CARACTERÍSTICAS DEL CONGELADOR ..	33	CARACTÉRISTIQUES	
DOOR FEATURES	15	Estante de alambre del congelador.....	33	DU CONGÉLATEUR	53
Door Rails.....	15	Estante de vidrio del congelador	34	Tablette métallique du congélateur	53
Door Bins.....	15	CARACTERÍSTICAS DE LA PUERTA	34	Tablette en verre du congélateur.....	53
Utility Compartment	15	Riele de la puerta	34	CARACTÉRISTIQUES DE LA PORTE	54
REFRIGERATOR CARE	15	Recipientes de la puerta	34	Tringles de porte	54
Cleaning	15	Compartimiento de uso general	35	Balconnets de porte.....	54
Changing the Light Bulbs	16	CUIDADO DE SU REFRIGERADOR	35	Compartiment utilitaire.....	54
Vacation and Moving Care	16	Limpieza	35	ENTRETIEN DU RÉFRIGÉRATEUR	55
PROBLEM SOLVER	17	Cómo cambiar los focos.....	35	Nettoyage.....	55
ACCESSORIES	19	Cuidado durante las	vacaciones y mudanzas.....	Remplacement des	ampoules d'éclairage.....
WARRANTY	20	SOLUCIÓN DE PROBLEMAS	37	Entretien avant les vacances ou	lors d'un déménagement.....
BRAND BADGE		ACCESORIOS	39	RÉSOLUTION DE PROBLÈMES	57
PLACEMENT TEMPLATE	BACK COVER	GARANTÍA	40	ACCESOIRES	59
		PLANTILLA DE COLOCACIÓN		GARANTIE	60
		DE LA PLACA	CONTRAPORTADA	Brand Badge Placement Template /	Gabarit de positionnement de
				l'insigne de la marque.....	62
				GABARIT DE POSITIONNEMENT	
				DE L'INSIGNE	
				DE LA MARQUE	COUVERTURE ARRIÈRE

REFRIGERATOR SAFETY

Your safety and the safety of others are very important.

We have provided many important safety messages in this manual and on your appliance. Always read and obey all safety messages.



This is the safety alert symbol.

This symbol alerts you to potential hazards that can kill or hurt you and others.

All safety messages will follow the safety alert symbol and either the word "DANGER" or "WARNING."

These words mean:

⚠ DANGER

You can be killed or seriously injured if you don't immediately follow instructions.

⚠ WARNING

You can be killed or seriously injured if you don't follow instructions.

All safety messages will tell you what the potential hazard is, tell you how to reduce the chance of injury, and tell you what can happen if the instructions are not followed.

IMPORTANT SAFETY INSTRUCTIONS

WARNING: To reduce the risk of fire, electric shock, or injury to persons when using the refrigerator, follow basic precautions, including the following:

- Plug into a grounded 3 prong outlet.
- Do not remove ground prong.
- Do not use an adapter.
- Do not use an extension cord.
- Disconnect power before servicing.
- Replace all parts and panels before operating.
- Remove doors from your old refrigerator.
- Use nonflammable cleaner.
- Keep flammable materials and vapors, such as gasoline, away from refrigerator.
- Use two or more people to move and install refrigerator.
- Disconnect power before installing ice maker (on ice maker kit ready models only).

SAVE THESE INSTRUCTIONS

State of California Proposition 65 Warnings:

WARNING: This product contains one or more chemicals known to the State of California to cause cancer.

WARNING: This product contains one or more chemicals known to the State of California to cause birth defects or other reproductive harm.

Proper Disposal of Your Old Refrigerator

⚠️ WARNING

Suffocation Hazard

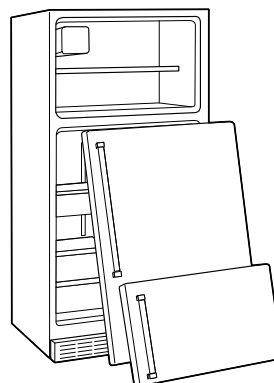
Remove doors from your old refrigerator.

Failure to do so can result in death or brain damage.

IMPORTANT: Child entrapment and suffocation are not problems of the past. Junked or abandoned refrigerators are still dangerous – even if they will sit for “just a few days.” If you are getting rid of your old refrigerator, please follow these instructions to help prevent accidents.

Before You Throw Away Your Old Refrigerator or Freezer:

- Take off the doors.
- Leave the shelves in place so that children may not easily climb inside.



Important information to know about disposal of refrigerants:

Dispose of refrigerator in accordance with Federal and Local regulations. Refrigerants must be evacuated by a licensed, EPA certified refrigerant technician in accordance with established procedures.

INSTALLATION INSTRUCTIONS

Unpack the Refrigerator

⚠️ WARNING

Excessive Weight Hazard

Use two or more people to move and install refrigerator.

Failure to do so can result in back or other injury.

When Moving Your Refrigerator:

Your refrigerator is heavy. When moving the refrigerator for cleaning or service, be sure to cover the floor with cardboard or hardboard to avoid floor damage. Always pull the refrigerator straight out when moving it. Do not wiggle or “walk” the refrigerator when trying to move it, as floor damage could occur.

Remove the Packaging

- Remove tape and glue residue from surfaces before turning on the refrigerator. Rub a small amount of liquid dish soap over the adhesive with your fingers. Wipe with warm water and dry.

NOTE: Do not use sharp instruments, rubbing alcohol, flammable fluids, or abrasive cleaners to remove tape or glue. These products can damage the surface of your refrigerator. For more information, see “Refrigerator Safety.”

- Dispose of/recycle all packaging materials.

IMPORTANT: Do not remove the white foam air return insert that is located behind the control panel on the ceiling of the refrigerator (on some models). The insert is part of the refrigerator and not part of the packing material. If the insert is removed, ice may migrate down from the freezer and cause icicles to form.

Clean Before Using

After you remove all of the package materials, clean the inside of your refrigerator before using it. See the cleaning instructions in “Refrigerator Care.”

Important information to know about glass shelves and covers:

Do not clean glass shelves or covers with warm water when they are cold. Shelves and covers may break if exposed to sudden temperature changes or impact, such as bumping. Tempered glass is designed to shatter into many small, pebble-size pieces. This is normal. Glass shelves and covers are heavy. Use both hands when removing them to avoid dropping.

Location Requirements

⚠ WARNING



Explosion Hazard

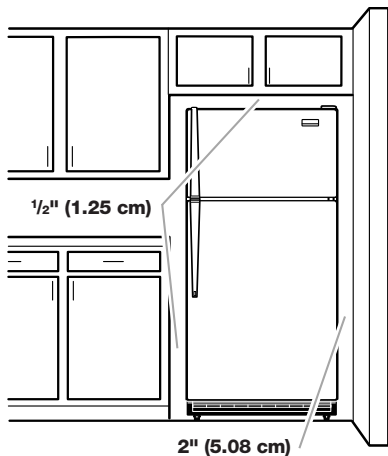
Keep flammable materials and vapors, such as gasoline, away from refrigerator.

Failure to do so can result in death, explosion, or fire.

IMPORTANT: This refrigerator is designed for indoor household use only.

To ensure proper ventilation for your refrigerator, allow for ½" (1.25 cm) of space on each side and at the top. Allow for 1" (2.54 cm) of space behind the refrigerator. If your refrigerator has an ice maker, allow extra space at the back for the water line connections. When installing your refrigerator next to a fixed wall, leave a 2" (5.08 cm) minimum space on the hinge side (some models require more) to allow the door to swing open.

NOTE: This refrigerator is intended for use in a location where the temperature ranges from a minimum of 55°F (13°C) to a maximum of 110°F (43°C). The preferred room temperature range for optimum performance, which reduces electricity usage and provides superior cooling, is between 60°F (15°C) and 90°F (32°C). It is recommended that you do not install the refrigerator near a heat source, such as an oven or radiator.



Electrical Requirements

⚠ WARNING



Electrical Shock Hazard

Plug into a grounded 3 prong outlet.

Do not remove ground prong.

Do not use an adapter.

Do not use an extension cord.

Failure to follow these instructions can result in death, fire, or electrical shock.

Before you move your refrigerator into its final location, it is important to make sure you have the proper electrical connection.

Recommended Grounding Method

A 115 volt, 60 Hz, AC only, 15- or 20-amp fused, grounded electrical supply is required. It is recommended that a separate circuit serving only your refrigerator be provided. Use an outlet that cannot be turned off by a switch. Do not use an extension cord.

NOTE: Before performing any type of installation or cleaning, or removing a light bulb, turn cooling off or turn the control (Thermostat, Refrigerator or Freezer Control depending on the model) to OFF, and then disconnect the refrigerator from the electrical source. When you are finished, reconnect the refrigerator to the electrical source and turn cooling on or reset the control (Thermostat, Refrigerator or Freezer Control depending on the model) to the desired setting. See "Using the Controls" in the User Instructions, User Guide, or Use & Care Guide.

Water Supply Requirements

Read all directions before you begin.

Gather the required tools and parts before starting installation. Read and follow the instructions provided with any tools listed here.

TOOLS NEEDED: Flat-blade screwdriver, 7/16" and 1/2" open-end wrenches or 2 adjustable wrenches, 1/4" nut driver and drill bit, cordless drill.

IMPORTANT:

- If you turn the refrigerator on before the water line is connected, turn the ice maker OFF.
- All installations must meet local plumbing code requirements.
- Use copper tubing and check for leaks. Install copper tubing only in areas where the household temperatures will remain above freezing.

NOTE: Your refrigerator dealer has a kit available with a 1/4" (6.35 mm) saddle-type shutoff valve, a union, and copper tubing. Before purchasing, make sure a saddle-type valve complies with your local plumbing codes. Do not use a piercing-type or 3/16" (4.76 mm) saddle valve which reduces water flow and clogs more easily.

Water Pressure

IMPORTANT: A cold water supply with water pressure between 30 and 120 psi (207 and 827 kPa) is required to operate the ice maker.

NOTE: If the water pressure is less than what is required, ice cubes could be hollow or irregular shaped.

If you have questions about your water pressure, call a licensed, qualified plumber.

Reverse Osmosis Water Supply

If a reverse osmosis water filtration system is connected to your cold water supply, the water pressure to the reverse osmosis system needs to be a minimum of 40 to 60 psi (276 to 414 kPa).

If the ice maker is still not operating properly:

- Check to see whether the sediment filter in the reverse osmosis system is blocked. Replace the filter if necessary.
- Allow the storage tank on the reverse osmosis system to refill after heavy usage.

Connect the Water Supply

Read all directions before you begin.

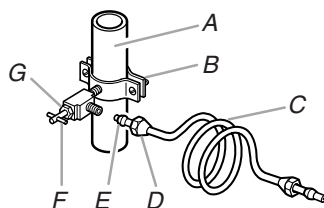
IMPORTANT: If you turn ON the refrigerator before the water line is connected, turn OFF the ice maker.

Connect to Water Line

1. Unplug refrigerator or disconnect power.
2. Turn OFF main water supply. Turn ON nearest faucet long enough to clear line of water.
3. Locate a ½" to 1¼" (1.25 cm to 3.18 cm) vertical cold water pipe near the refrigerator.

IMPORTANT:

- Make sure it is a cold water pipe.
 - Horizontal pipe will work, but drill on the top side of the pipe, not the bottom. This will help keep water away from the drill and normal sediment from collecting in the valve.
4. Determine the length of copper tubing you need. Measure from the connection on the lower left rear of refrigerator to the water pipe. Add 7 ft (2.1 m) to allow for cleaning. Use ¼" (6.35 mm) O.D. (outside diameter) copper tubing. Be sure both ends of copper tubing are cut square.
 5. Using a cordless drill, drill a ¼" hole in the cold water pipe you have selected.



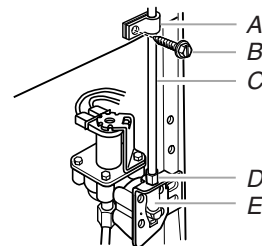
- A. Cold water pipe
- B. Pipe clamp
- C. Copper tubing
- D. Compression nut
- E. Compression sleeve
- F. Shutoff valve
- G. Packing nut

6. Fasten the shutoff valve to the cold water pipe with the pipe clamp. Be sure the outlet end is solidly in the ¼" drilled hole in the water pipe and that the washer is under the pipe clamp. Tighten the packing nut. Tighten the pipe clamp screws slowly and evenly so washer makes a watertight seal. Do not overtighten or you may crush the copper tubing.

7. Slip the compression sleeve and compression nut on the copper tubing as shown. Insert the end of the tubing into the outlet end squarely as far as it will go. Screw compression nut onto outlet end with adjustable wrench. Do not overtighten.
8. Place the free end of the tubing in a container or sink, and turn ON the main water supply. Flush the tubing until water is clear. Turn OFF the shutoff valve on the water pipe. Coil the copper tubing.

Connect to Refrigerator

1. Unplug refrigerator or disconnect power.
2. Attach the copper tubing to the valve inlet using a compression nut and sleeve as shown. Tighten the compression nut. Do not overtighten.
3. Use the tube clamp on the back of the refrigerator to secure the tubing to the refrigerator as shown. This will help avoid damage to the tubing when the refrigerator is pushed back against the wall.
4. Turn shutoff valve ON.
5. Check for leaks. Tighten any connections (including connections at the valve) or nuts that leak.



- A. Tube clamp
- B. Tube clamp screw
- C. Copper tubing
- D. Compression nut
- E. Valve inlet

6. The ice maker is equipped with a built-in water strainer. If your water conditions require a second water strainer, install it in the ¼" (6.35 mm) water line at either tube connection. Obtain a water strainer from your nearest appliance dealer.

Complete the Installation

⚠ WARNING



Electrical Shock Hazard

Plug into a grounded 3 prong outlet.

Do not remove ground prong.

Do not use an adapter.

Do not use an extension cord.

Failure to follow these instructions can result in death, fire, or electrical shock.

1. Plug into a grounded 3 prong outlet.

NOTE: Allow 24 hours to produce the first batch of ice. Discard the first three batches of ice produced. Allow 3 days to completely fill ice container.

Refrigerator Doors

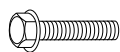
Tools Needed:

- 5/16" Hex-head socket wrench
- 5/16" Open-end wrench
- #2 Phillips screwdriver
- Flat 2" putty knife
- Flat-blade screwdriver

IMPORTANT:

- Before you begin, turn the refrigerator control OFF. Unplug refrigerator or disconnect power.
- Remove food and adjustable door or utility bins from doors.
- If you are only removing and replacing the doors, see the "Remove Doors and Hinges" and "Replace Doors and Hinges" sections.
- Depending on your model, you may have standard (**Style 1**) or contoured (**Style 2**) doors. If you are also going to reverse the door swing, follow the instructions for the appropriate door style.
NOTE: A Reversibility Kit, which includes a new Brand Badge and hole covers, is available.
- All graphics referenced in the following instructions are included later in this section after "Final Steps."

Remove Doors and Hinges



5/16" Hex-head Hinge Screw

1. Unplug refrigerator or disconnect power.
2. Close the refrigerator door and keep both doors closed until you are ready to lift them free from the cabinet.
NOTE: Provide additional support for the doors while the hinges are being moved. Do not depend on the door magnets to hold the doors in place while you are working.
3. Remove the parts for the top hinge as shown in Top Hinge graphic. Lift the freezer door free from the cabinet.
4. Remove the parts for the center hinge as shown in the Center Hinge graphic. Lift the refrigerator door free from the cabinet.
5. Remove base grille from the bottom front of the refrigerator.
6. Remove the parts for the bottom hinge as shown in the Bottom Hinge graphic.

Reverse Doors (optional)

IMPORTANT: If you want to reverse your doors so that they open in the opposite direction, follow these steps. If you are not reversing the doors, see "Replace Doors and Hinges."

Style 1 - Standard Door Models

Graphics follow these instructions.



Door Stop Screw



Door Handle Hole Plug



Door Handle Sealing Screw



Door Hinge Hole Plug



Flat-Head Handle Screw



Cabinet Hinge Hole Plug



Dome Cap



Dome Cap Washer

Cabinet

1. Remove the three dome caps and the screws from handle side and move them to opposite side. See Graphic 1-1.
2. Remove cabinet hinge hole plugs from cabinet top and move them to opposite side hinge holes as shown. See Graphic 1-2.

Freezer Door

1. Remove the screw cover. See Graphic 2.
2. Remove the freezer handle assembly as shown. Keep all parts together. See Graphic 2.
3. Remove door hinge hole plug from freezer door. Move to opposite side hinge hole as shown. See Graphic 3.
4. Remove the brand badge using the plastic tool (provided). Replace it with the badge provided in the Reversibility Kit located inside the crisper drawer. For proper placement, see the Brand Badge Placement template (the last page of this manual).

NOTES:

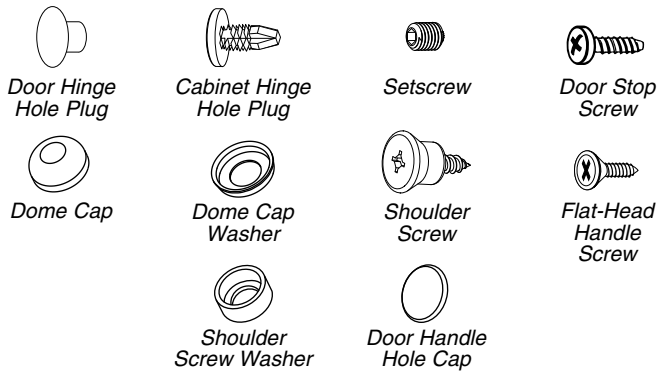
- To avoid scratching the finish, do not use a sharp or metallic object to pry the brand badge from the door.
 - Rub a small amount of liquid dish soap over any adhesive residue with your fingers. Rinse the door with warm water and dry with a soft cloth.
5. Remove door stop. Move to opposite side of refrigerator door as shown. See Graphic 5.
 6. Position freezer handle on opposite side of the freezer door as shown. See Graphic 2. First, drive the bottom two screws into handle. Align upper portion of handle and drive top screw into handle.
 7. Tighten all screws. Set aside door until hinges and refrigerator compartment door are in place.
 8. Replace screw cover. See Graphic 2.

Refrigerator Door

1. Remove the screw cover. See Graphic 6.
2. Remove refrigerator handle assembly as shown. Keep all parts together. See Graphic 6.
3. Remove door hinge hole plug from refrigerator door. Move to opposite side hinge hole as shown. See Graphic 3.
4. Remove door handle sealing screws. Move to opposite side of refrigerator door as shown. See Graphic 4.
5. Remove door handle hole plug and discard. See Graphic 7. Replace on opposite side with the door handle hole plug provided in the Reversibility Kit located in the crisper.
6. Remove door stop. Move to opposite side of refrigerator door as shown. See Graphic 5.
7. Position refrigerator handle on opposite side of the refrigerator door as shown. See Graphic 6. First, drive top two screws in handle first. Align lower portion of handle and drive bottom screw into handle.
8. Tighten all screws. Set aside refrigerator door until bottom hinge is installed on refrigerator.
9. Replace screw cover. See Graphic 6.

Style 2 - Contour Door Models

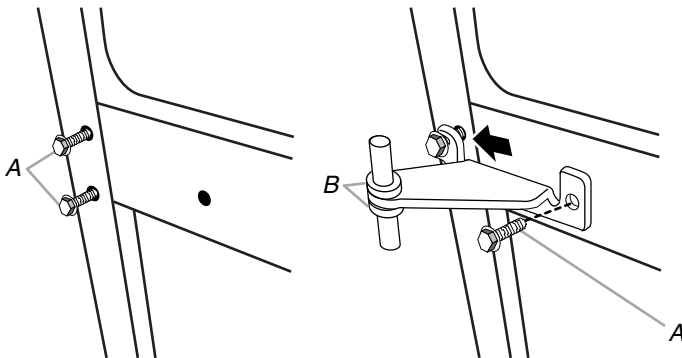
Graphics follow these instructions.



Cabinet

1. Remove the three dome caps and screws from handle side and move them to opposite side. See Graphic 1-1.
2. Using the three $\frac{5}{16}$ " hex-head hinge screws, insert two screws halfway into the holes, leaving space to insert the center hinge.
3. Slide the center hinge, from the right, onto the screws, insert the third screw, and tighten all screws completely.

NOTE: Make sure the washers are in place on both the top and bottom pins of the center hinge.



A. $\frac{5}{16}$ " Hex-head hinge screws
B. Washers

4. Remove cabinet hinge hole plugs from the cabinet top and move them to opposite side hinge holes as shown. See Graphic 1-2.

Freezer Door

1. Remove the freezer door handle. Using a $\frac{1}{8}$ " hex key, loosen the setscrew located on the side of the handle. Pull the handle straight out from the door. Keep all parts together. See Graphic 2.
2. Remove the brand badge using the plastic tool (provided). Replace it with the badge provided in the Reversibility Kit located inside the crisper. For proper placement, see the Brand Badge Placement template (the last page of this manual).

NOTES:

- To avoid scratching the finish, do not use a sharp or metallic object to pry the brand badge from the door.
 - Rub a small amount of liquid dish soap over any adhesive residue with your fingers. Rinse the door with warm water and dry with a soft cloth.
3. Remove door stop. Move to opposite side of freezer door as shown. See Graphic 4.
 4. Reinstall freezer handle on opposite side of the freezer door as shown. See Graphic 2.
 5. Tighten all screws. Set aside door until hinges and refrigerator compartment door are in place.

Refrigerator Door

1. Remove the refrigerator door handle. Using a $\frac{1}{8}$ " hex key, loosen the setscrew located on the side of the handle. Pull the handle straight out from the door. Keep all parts together. See Graphic 6.
2. Remove door hinge hole plug from refrigerator door. Move to opposite side hinge hole as shown. See Graphic 3.
3. Remove door handle hole plug and discard. See Graphic 7. Replace on opposite side with the door handle hole plug provided in the Reversibility Kit located in the crisper.
4. Remove door stop. Move to opposite side of refrigerator door as shown. See Graphic 4.
5. Reinstall refrigerator handle on opposite side of the refrigerator door as shown. See Graphic 6.
6. Tighten all screws. Set aside refrigerator door until bottom hinge is installed on refrigerator.

Replace Doors and Hinges

NOTE: Graphic may be reversed if door swing is reversed.

1. Replace the parts for the bottom hinge as shown. Tighten screws. Replace the refrigerator door.

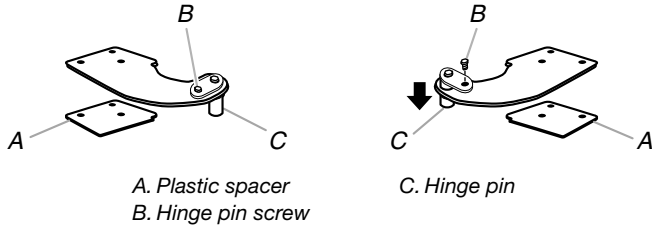
NOTE: Provide additional support for the doors while the hinges are being moved. Do not depend on the door magnets to hold the doors in place while you are working.
2. Measure the distance from the bottom of the refrigerator door to the floor. The distance should be approximately $3\frac{1}{2}$ " (88 mm).

NOTE: If necessary, loosen the bottom hinge, without removing the screws, adjust the door to the correct height and fully tighten the screws.
3. Assemble the parts for the center hinge as shown and tighten all screws. See Center Hinge graphic. Replace the freezer door.

- Assemble the parts for the top hinge as shown. See Top Hinge graphic. Do not tighten screws completely.

Contour Door Models Only:

- Remove the screw attaching the hinge pin to the hinge. Turn the hinge over so that it is pointing in the opposite direction.
- Place the plastic spacer beneath the hinge so that it will be between the hinge and the cabinet, making sure the holes are aligned.



- Fasten the top hinge to the opposite side of the cabinet, inserting the screws only halfway, so you will be able to replace and align the freezer door later.

- Line up the doors so that the bottom of the freezer door aligns evenly with the top of the refrigerator door. Tighten all screws.

NOTE: The distance between the doors should be approximately $\frac{5}{8}$ " (16 mm).

Final Steps

- Check all holes to make sure that hole plugs and screws are in place. Reinstall top hinge cover. See Top Hinge graphic.

⚠ WARNING



Electrical Shock Hazard

Plug into a grounded 3 prong outlet.

Do not remove ground prong.

Do not use an adapter.

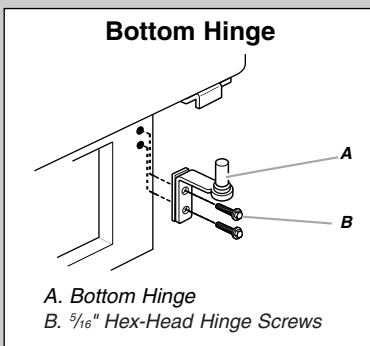
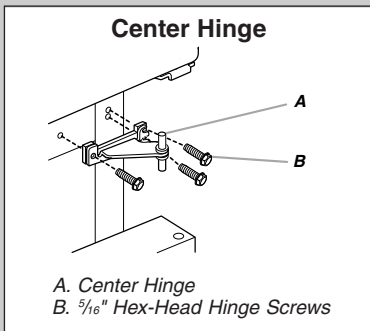
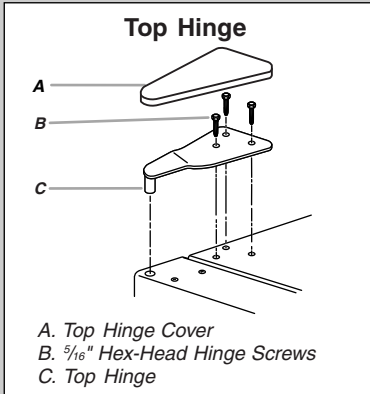
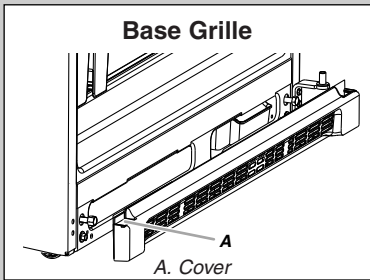
Do not use an extension cord.

Failure to follow these instructions can result in death, fire, or electrical shock.

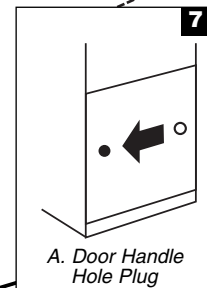
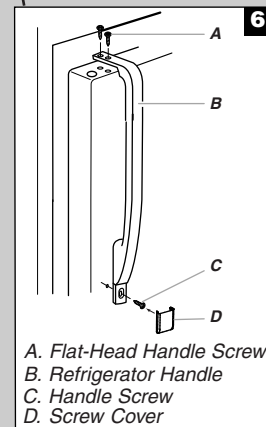
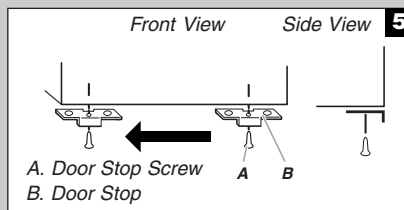
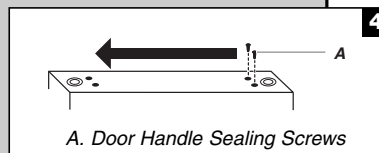
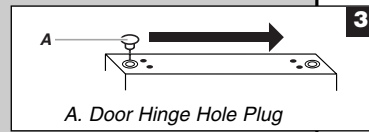
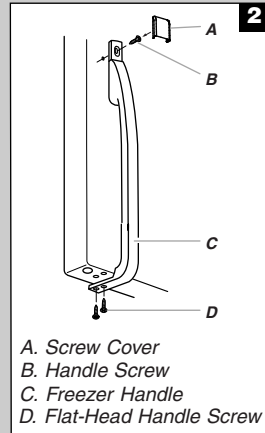
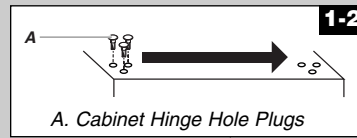
- Remove the cover from the base grille. Move the cover to the opposite side.
- Align the clips on the base grille with the screws on the bottom of the cabinet. Push the base grille toward the cabinet until it is flush.
- Plug into a grounded 3 prong outlet.
- Reset the controls. See "Using the Control(s)."
- Return all removable door parts to doors and food to refrigerator.

Style 1 - Standard

Door Removal & Replacement

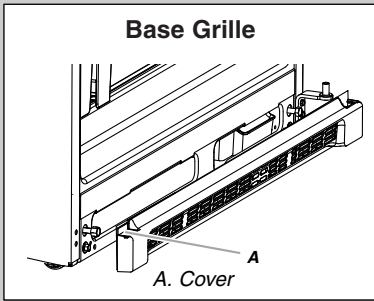


Door Swing Reversal (optional)

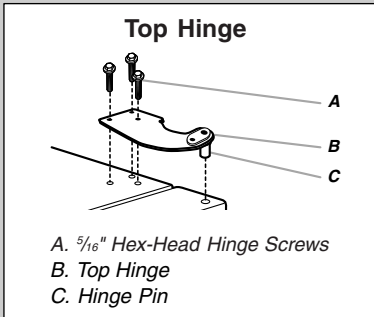


Door Removal & Replacement

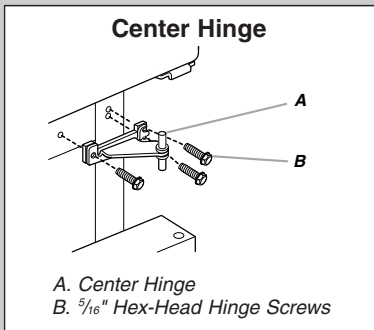
Base Grille



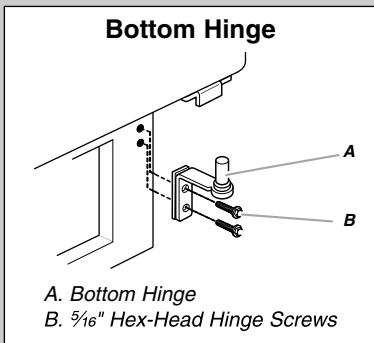
Top Hinge



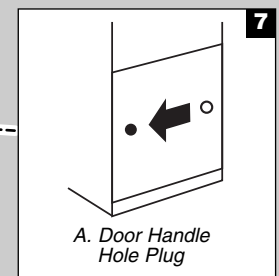
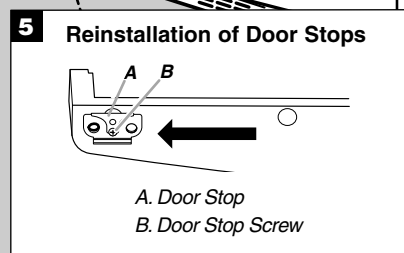
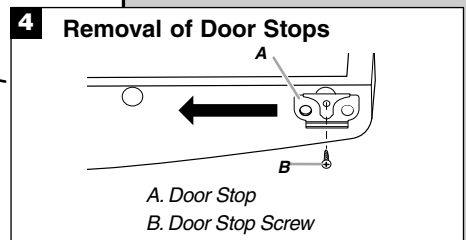
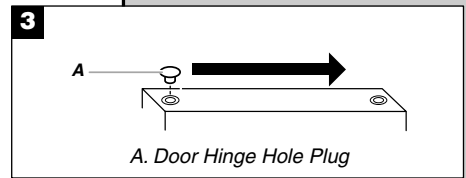
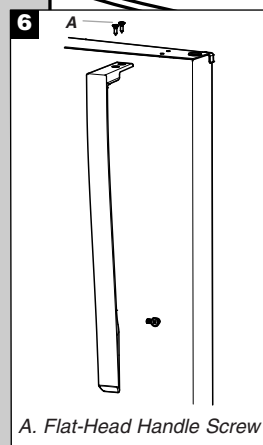
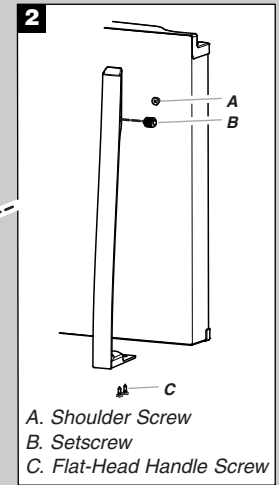
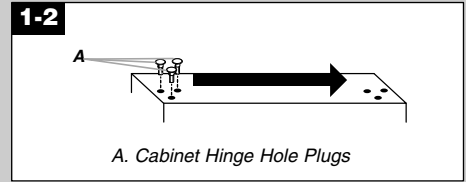
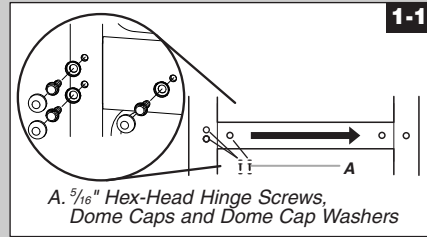
Center Hinge



Bottom Hinge



Door Swing Reversal (optional)



Reversibility Kit Instructions

If your model came with a Reversibility kit, please use the Brand Badge Placement template and the following instructions to install the Brand Badge on the opposite side of the freezer door.

Parts Included:

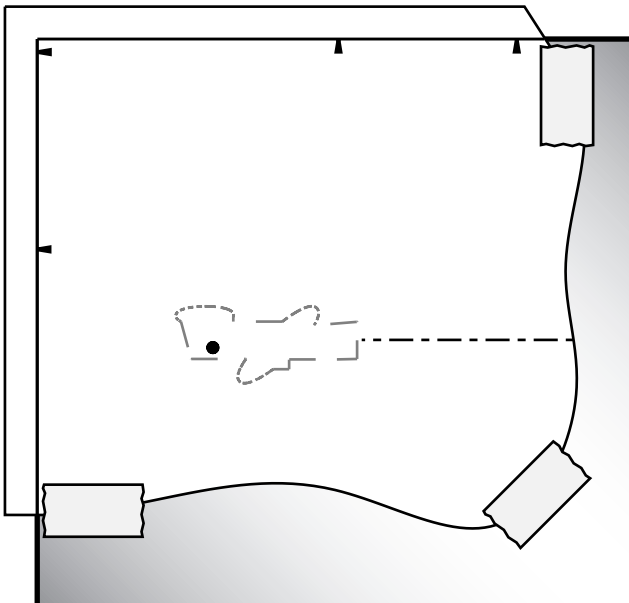
Brand badge removal tool
Brand badge template (on last page of User Instructions)
Door handle hole plug

Tools Needed:

Scissors
Masking tape

Freezer Door

1. Using the removal tool (provided), remove the brand badge from the freezer door by lifting up the right-hand side and peeling the badge away from the door from right to left.
NOTE: To avoid scratching the door, do not use a sharp or metallic object to pry the brand badge from the door.
2. Rub a small amount of liquid dish soap over any adhesive residue with your fingers. Rinse the door with warm water and dry with a soft cloth.
3. Cut the template along the dotted lines that match the shape of the brand badge.
4. Align the edges of the template with the side and top of the freezer door and tape the template to the door.
NOTE: When the template is correctly aligned, the hole in the door, where the handle was, will be within the cutout of the template, as shown.



5. Using the cutout as a guide, press the brand badge onto the freezer door making sure that the hole is completely covered.
6. Slowly remove the template.

Adjust the Doors

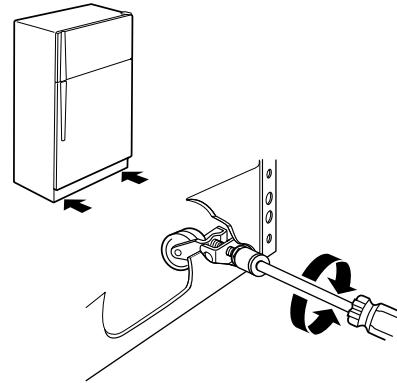
IMPORTANT: To comply with American Disabilities Act (ADA) guidelines, fully retract the rollers into the cabinet to lower the refrigerator.

Door Closing

Your refrigerator has two front adjustable rollers – one on the right and one on the left. If your refrigerator seems unsteady or you want the doors to close easier, adjust the refrigerator's tilt using the following instructions:

1. Remove the base grille. See the Base Grille graphic in "Refrigerator Doors." The two leveling screws are part of the front roller assemblies, which are at the base of the refrigerator on either side.
2. Use a socket driver to adjust the leveling screws. Turn the leveling screw to the right to raise that side of the refrigerator or turn the leveling screw to the left to lower that side. It may take several turns of the leveling screws to adjust the tilt of the refrigerator.

NOTE: Having someone push against the top of the refrigerator takes some weight off the leveling screws and rollers which makes it easier to adjust.



3. Open both doors again to make sure they close as easily as you like and that they stay closed. If not, tilt the refrigerator slightly more to the rear by turning both leveling screws to the right. It may take several more turns.
NOTE: To keep the refrigerator level, you should turn both leveling screws the same amount.
4. Replace the base grille.

Door Aligning

If the space between your doors looks uneven, you can adjust it using the following instructions:

1. Depending on your model, remove the top hinge cover. Loosen the top hinge screws using a $\frac{5}{16}$ " socket or wrench.
2. Have someone hold the door in place or put a spacer between the doors while you tighten the top hinge screws.
3. Replace the top hinge cover, if removed in Step 1.

REFRIGERATOR USE

Using the Controls

Your refrigerator has two controls that affect the temperature. The Temperature control is located at the top front of the refrigerator compartment and the Airflow control is located on the back wall of the freezer compartment.

IMPORTANT:

- The recommended setting should be correct for normal household refrigerator use. The controls are set correctly when milk or juice is as cold as you like and when ice cream is firm.
- Wait 24 hours for your refrigerator to cool completely before adding food. If you add food before the refrigerator has cooled completely, your food may spoil.

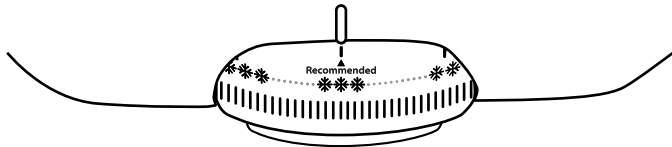
NOTE: Adjusting the refrigerator and freezer temperature controls to a colder than recommended setting will not cool the compartments any faster.

- If the temperature is too warm or too cold in the refrigerator or freezer, first check the air vents to be sure they are not blocked before adjusting the controls.

Temperature Control

For your convenience, the Temperature control is preset at the factory. When you first install your refrigerator, make sure the control is still preset as shown.

Recommended Setting "3 Snowflakes"



Cooling Off/On

- Move the dial control to the word OFF. To turn cooling back on, move the dial control to the desired temperature setting.

NOTE: Neither compartment will cool when the control is set to OFF.

Adjusting the Temperature Control

If you need to adjust the temperature in either the refrigerator or freezer compartment, use the settings listed in the chart below as a guide.

NOTE: Except when starting the refrigerator, do not adjust the control more than one setting at a time. Wait 24 hours between adjustments for the temperature to stabilize.

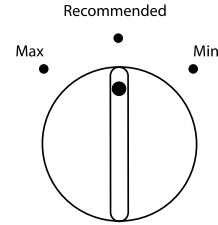
- Move the dial to the desired number of snowflakes from (1 least cold to 5 coldest).

CONDITION/REASON:	ADJUSTMENT:
REFRIGERATOR too warm	TEMPERATURE Control one setting higher
FREEZER too warm/too little ice	AIRFLOW or TEMPERATURE Control one setting higher
REFRIGERATOR too cold	TEMPERATURE Control one setting lower
FREEZER too cold	AIRFLOW or TEMPERATURE Control one setting lower

Airflow Control

The Airflow control regulates the amount of air flowing between the freezer and the refrigerator compartments.

When you plug in the refrigerator for the first time, turn the Airflow control to the Recommended setting.



Adjusting the Airflow Control

If you want to temporarily increase the cold airflow to a specific compartment, adjust the control.

- Max - Increase airflow to the freezer
- Min - Increase airflow to the refrigerator

IMPORTANT: Once the performance is achieved, return the Airflow control to the Recommended setting to keep the refrigerator operating at optimum efficiency.

CONDITION/REASON:	ADJUSTMENT:
Heavy ice use	Max
Hot room temperature	Max - To maintain ice making production rate
Large quantity of groceries	Min - To quickly chill food and beverages

Ice Maker

(on some models - Accessory)

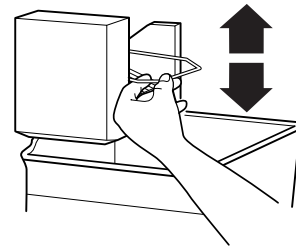
Turning the Ice Maker On/Off

NOTE: Do not force the wire shutoff arm up or down.

- To turn the ice maker on, simply lower the wire shutoff arm.

NOTE: Your ice maker has an automatic shutoff. As ice is made, the ice cubes will fill the ice storage bin and the ice cubes will raise the wire shutoff arm to the OFF (arm up) position.

- To manually turn the ice maker off, lift the wire shutoff arm to the OFF (arm up) position and listen for the click to make sure the ice maker will not continue to operate.



NOTE: Turn the ice maker off before removing the ice storage bin to serve ice or to clean the bin. This will keep the ice cubes from dropping out of the ice maker and into the freezer compartment. After replacing the ice storage bin, turn on the ice maker.

Ice Production Rate

- **NORMAL Ice Production:** The ice maker should produce approximately 8 to 12 batches of ice in a 24-hour period. If ice is not being made fast enough, turn the Freezer Control toward a higher (colder) number in half number steps. (For example, if the control is at 3, move it to between 3 and 4.) Wait 24 hours and, if necessary, gradually turn the Freezer Control to the highest setting, waiting 24 hours between each increase.
- **MAXIMUM Ice Production** (on some models): The ice maker should produce approximately 16 to 20 batches of ice in a 24-hour period. If your refrigerator has the maximum ice production feature, push the switch to MAX.

Remember

- Allow 24 hours to produce the first batch of ice. Allow 3 days to completely fill the ice storage bin. Discard the first three batches of ice produced.
- The quality of your ice will be only as good as the quality of the water supplied to your ice maker. Avoid connecting the ice maker to a softened water supply. Water softener chemicals (such as salt) can damage parts of the ice maker and lead to poor quality ice. If a softened water supply cannot be avoided, make sure the water softener is operating properly and is well maintained.
- Do not store anything on top of the ice maker or in the ice storage bin.

REFRIGERATOR FEATURES

Your model may have some or all of these features.

Important information to know about glass shelves and covers:

Do not clean glass shelves or covers with warm water when they are cold. Shelves and covers may break if exposed to sudden temperature changes or impact, such as bumping. Tempered glass is designed to shatter into many small, pebble-size pieces. This is normal. Glass shelves and covers are heavy. Use both hands when removing them to avoid dropping.

Refrigerator Shelves

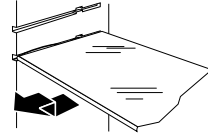
The shelves in your refrigerator are adjustable to match your individual storage needs.

Storing similar food items together in your refrigerator and adjusting the shelves to fit different heights of items will make finding the exact item you want easier. It will also reduce the amount of time the refrigerator door is open, and save energy.

To remove and replace a shelf:

1. Remove items from the shelf.
2. Slide the shelf straight out to the stop.
3. Depending on your model, lift back or front of the shelf past the stop. Slide shelf out the rest of the way.

4. Replace the shelf by sliding the back of the shelf into the track in the wall of the cabinet.
5. Guide the front of the shelf into the shelf track. Be sure to slide the shelf in all the way.

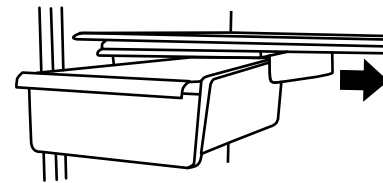


Deli Drawer

To remove and replace the deli drawer:

1. Slide deli drawer out to the stop.
2. Lift front of deli drawer with one hand while supporting bottom of drawer with other hand. Slide drawer out the rest of the way.
3. Replace the drawer by sliding it back in fully past the drawer stop.

NOTE: The deli drawer moves sideways on the shelf to allow for flexible positioning.



Meat Storage Guide

Store most meat in original wrapping as long as it is airtight and moisture-proof. Rewrap if necessary. See the following chart for storage times. When storing meat longer than the times given, freeze the meat.

Fresh fish or shellfish..... use same day as purchased
Chicken, ground beef, variety meats (liver) 1-2 days
Cold cuts, steaks/roasts 3-5 days
Cured meats..... 7-10 days
Leftovers - Cover leftovers with plastic wrap, aluminum foil, or plastic containers with tight lids.

Crisper

Crisper Drawers

To remove and replace the crisper drawer:

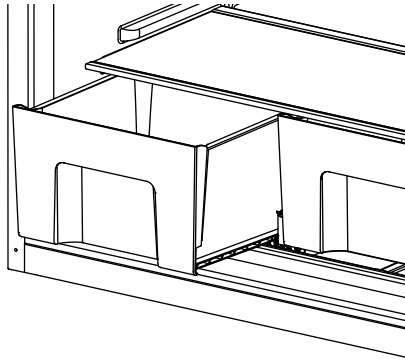
1. Slide the crisper drawer straight out to the stop. Lift the front and slide the drawer out the rest of the way.
2. Replace the drawer by sliding the drawer in fully past the stop.

Crisper Cover

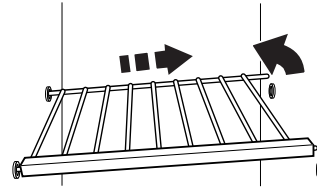
To remove and replace the crisper cover:

1. Remove the crisper(s).
2. Pull the glass straight out.

- Replace the glass by pushing it straight in.



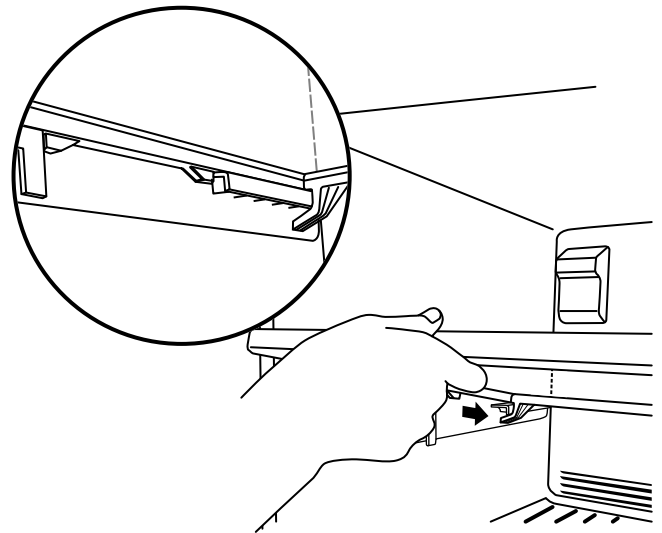
NOTE: The shelf should lower slightly and lock into place. If the shelf does not appear stable, make sure both ends of the shelf are inserted into the shelf supports.



Glass Freezer Shelf (on some models)

To remove and replace a glass shelf:

- Lift the front of the shelf to raise the shelf tabs up and out of the opening in each shelf track. Slide the shelf out the rest of the way.
- Replace the shelf by tilting the back end downward to align the back shelf tab under the track on each side of the freezer. Gently push the shelf into the freezer until the two center shelf tabs are positioned within the opening in each track. Lower the shelf to rest on the shelf tracks.



Crisper Humidity Control

You can control the amount of humidity in the moisture-sealed crisper. Adjust the control to any setting between LOW and HIGH. LOW (open) lets moist air out of the crisper for best storage of fruits and vegetables with skins.

- Fruit:** Wash, let dry and store in refrigerator in plastic bag or crisper. Do not wash or hull berries until they are ready to use. Sort and keep berries in original container in crisper, or store in a loosely closed paper bag on a refrigerator shelf.
- Vegetables with skins:** Place in plastic bag or plastic container and store in crisper.

HIGH (closed) keeps moist air in the crisper for best storage of fresh, leafy vegetables.

- Leafy vegetables:** Wash in cold water, drain and trim or tear off bruised and discolored areas. Place in plastic bag or plastic container and store in crisper.

FREEZER FEATURES

Your model may have some or all of these features.

Important information to know about glass shelves and covers:

Do not clean glass shelves or covers with warm water when they are cold. Shelves and covers may break if exposed to sudden temperature changes or impact, such as bumping. Tempered glass is designed to shatter into many small, pebble-size pieces. This is normal. Glass shelves and covers are heavy. Use both hands when removing them to avoid dropping.

Wire Freezer Shelf (on some models)

To remove and replace a wire shelf:

- Remove the shelf by lifting the entire shelf slightly and moving it all the way to the left-hand side. Tilt the right-hand side up and out of the shelf supports.
- Replace the shelf by inserting the left-hand end all the way into the shelf supports. Then, lower the right-hand end of the shelf and insert it into the shelf supports.

Frozen Food Storage Guide

Storage times will vary according to the quality and type of food, the type of packaging or wrap used (should be airtight and moisture-proof), and the storage temperature. Seal the package or container securely to avoid taste and odor transfer throughout the product. Ice crystals inside a sealed package are normal. This simply means that moisture in the food and air inside the package have condensed, creating ice crystals.

Put no more unfrozen food into the freezer than will freeze within 24 hours (no more than 2 to 3 lbs of food per cubic foot [907 to 1,350 g per L] of freezer space). Leave enough space in the freezer for air to circulate around packages. The freezer door must close tightly.

NOTE: For more information on preparing food for freezing, check a freezer guide or reliable cookbook.

DOOR FEATURES

Your model may have some or all of these features.

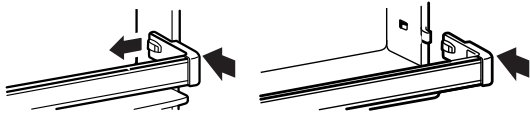
Door Rails

The door rails may be removed for easier cleaning.

Snap-on Door Rails (on some models)

To remove and replace the rails:

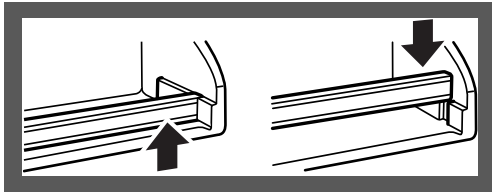
1. Depending on your model, remove the rails by pushing in slightly on the front of the bracket while pulling out on the inside tab. Repeat these steps for the other end.
2. Replace the rails by aligning the ends of the brackets with the buttons on the sides of the door liner. Firmly snap bracket and assembly onto the tabs above the shelf as shown.



Drop-in Door Rails (on some models)

To remove and replace the rails:

1. Remove the rails by pulling straight up on each end of the rail.
2. Replace the rails by sliding the shelf rail into the slots on the door and pushing the rail straight down until it stops.

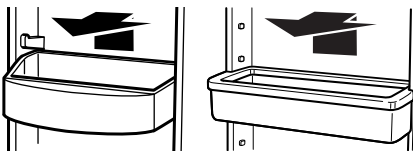


Door Bins

(on some models)

To remove and replace the bins:

1. Remove the bin by lifting it and pulling it straight out.
2. Replace the bin by sliding it in above the desired support and pushing it down until it stops.



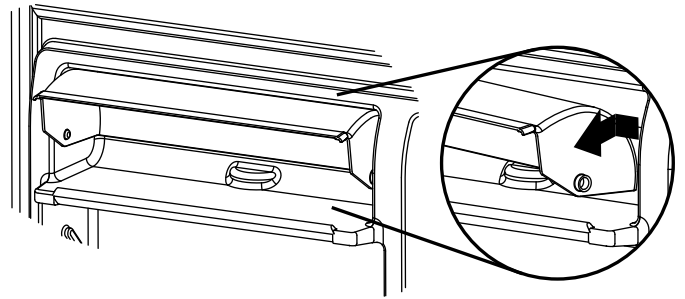
Utility Compartment

The utility compartment may be removed for easier cleaning.

To remove and replace the utility compartment:

1. Remove the utility compartment by squeezing against one side while raising the utility compartment up and pulling it straight out.

2. Replace the utility compartment by positioning one side in the lock and sliding in the opposite side until it stops.



REFRIGERATOR CARE

Cleaning

! WARNING



Explosion Hazard

Use nonflammable cleaner.

Failure to do so can result in death, explosion, or fire.

Both the refrigerator and freezer sections defrost automatically. However, clean both sections about once a month to avoid buildup of odors. Wipe up spills immediately.

IMPORTANT:

- Because air circulates between both sections, any odors formed in one section will transfer to the other. You must thoroughly clean both sections to eliminate odors. To avoid odor transfer and drying out of food, wrap or cover foods tightly.
- For stainless steel models, stainless steel is corrosion-resistant and not corrosion-proof. To help avoid corrosion of your stainless steel, keep your surfaces clean by using the following cleaning instructions.

To Clean Your Refrigerator:

NOTE: Do not use abrasive or harsh cleaners such as window sprays, scouring cleansers, flammable fluids, muriatic acid, cleaning waxes, concentrated detergents, bleaches or cleansers containing petroleum products on exterior surfaces (doors and cabinet), plastic parts, interior and door liners or gaskets. Do not use paper towels, scouring pads, or other harsh cleaning tools.

1. Unplug refrigerator or disconnect power.
2. Hand wash, rinse, and dry removable parts and interior surfaces thoroughly. Use a clean sponge or soft cloth and a mild detergent in warm water.
3. Clean the exterior surfaces.

Painted metal: Wash painted metal exteriors with a clean, soft cloth or sponge and a mild detergent in warm water. Rinse surfaces with clean, warm water and dry immediately to avoid water spots.

Stainless steel: Wash stainless steel surfaces with a clean, soft cloth or sponge and a mild detergent in warm water. Rinse surfaces with clean, warm water and dry immediately to avoid water spots.

NOTE: When cleaning stainless steel, always wipe in the direction of the grain to avoid cross-grain scratching.

- There is no need for routine condenser cleaning in normal home operating environments. If the environment is particularly greasy or dusty, or there is significant pet traffic in the home, the condenser should be cleaned every 2 to 3 months to ensure maximum efficiency.

If you need to clean the condenser:

- Remove the base grille.
- Use a vacuum cleaner with a soft brush to clean the grille, the open areas behind the grille and the front surface area of the condenser.
- Replace the base grille when finished.

- Plug in refrigerator or reconnect power.

Changing the Light Bulbs

IMPORTANT: The light bulbs in both the refrigerator and freezer compartments of your new refrigerator use LED technology. If the lights do not illuminate when the refrigerator and/or freezer door is opened, call for assistance or service. See Warranty for phone numbers.

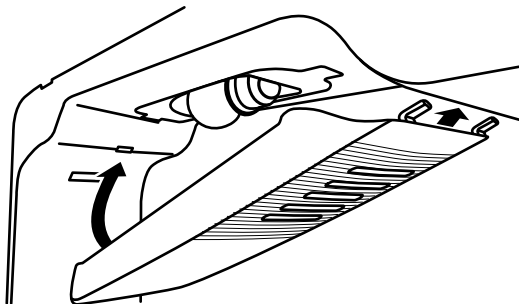
Refrigerator Compartment Light

The refrigerator light bulb is located behind the control.

- Unplug refrigerator or disconnect power.
- Remove the light shield by squeezing in on the sides and pulling it straight down.
- Remove the light bulb and replace it with an appliance bulb of the same size and shape.
 - To replace an LED light bulb in the refrigerator compartment, order part number W10565137 (3.6 watts).

NOTE: Some LED replacement bulbs are not recommended for wet/damp environments. The refrigerator and freezer compartments are considered to be wet/damp environments. If using a brand of LED bulb other than the recommended LED bulb, before installation, read and follow all instructions on the LED packaging.

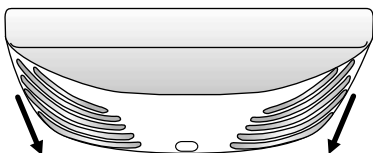
 - If an incandescent bulb is used to replace an LED bulb, use only incandescent bulbs for household appliances with a maximum of 60 watts.
- Replace the light shield.



- Plug in refrigerator or reconnect power.

Freezer Compartment Light (on some models)

- Unplug refrigerator or disconnect power.
- Remove the light shield (on some models).
 - Top of the freezer compartment - Slide the light shield toward the back of the compartment to release it from the light assembly.



- Remove the light bulb and replace it with an appliance bulb of the same size and shape.
 - To replace an LED light bulb in the freezer compartment, order part number W10574850 (2.0 watts).

NOTE: Some LED replacement bulbs are not recommended for wet/damp environments. The refrigerator and freezer compartments are considered to be wet/damp environments. If using a brand of LED bulb other than the recommended LED bulb, before installation, read and follow all instructions on the LED packaging.

 - If an incandescent bulb is used to replace an LED bulb, use only incandescent bulbs for household appliances with a maximum of 25 watts.
- Replace the light shield.
- Plug in refrigerator or reconnect power.

Vacation and Moving Care

Vacations

If You Choose to Leave the Refrigerator On While You're Away:

- Use up any perishables and freeze other items.
- If your refrigerator has an automatic ice maker, and is connected to the household water supply, turn off the water supply to the refrigerator. Property damage can occur if the water supply is not turned off.
- If you have an automatic ice maker, turn off the ice maker.

NOTE: Raise the wire shutoff arm to OFF (up) position.
- Empty the ice bin.

If You Choose to Turn Off the Refrigerator Before You Leave:

- Remove all food from the refrigerator.
- If your refrigerator has an automatic ice maker:
 - Turn off the water supply to the ice maker at least one day ahead of time.
 - When the last load of ice drops, raise the wire shutoff arm to the OFF (up) position.
- Turn off the Temperature control(s). See "Using the Control(s)."
- Clean refrigerator, wipe it, and dry well.
- Tape rubber or wood blocks to the tops of both doors to prop them open far enough for air to get in. This stops odor and mold from building up.

Moving

When you are moving your refrigerator to a new home, follow these steps to prepare it for the move.

- If your refrigerator has an automatic ice maker:
 - Turn off the water supply to the ice maker at least one day ahead of time.
 - Disconnect the water line from the back of the refrigerator.
 - When the last load of ice drops, raise the wire shutoff arm to the OFF (up) position.
- Remove all food from the refrigerator and pack all frozen food in dry ice.
- Empty the ice bin.
- Turn off the Temperature control(s). See "Using the Control(s)."
- Unplug refrigerator.
- Clean, wipe, and dry thoroughly.
- Take out all removable parts, wrap them well, and tape them together so they don't shift and rattle during the move.

8. Depending on the model, raise the front of the refrigerator so it rolls more easily OR raise the leveling screws so they don't scrape the floor. See "Adjust the Door(s)" or "Door Closing and Door Alignment."
9. Tape the doors closed and tape the power cord to the back of the refrigerator.

When you get to your new home, put everything back and refer to the "Installation Instructions" section for preparation instructions. Also, if your refrigerator has an automatic ice maker, remember to reconnect the water supply to the refrigerator.

PROBLEM SOLVER

First try the solutions suggested here. If you need further assistance or more recommendations that may help you avoid a service call, refer to the warranty page in this manual and scan the code with your mobile device, or visit www.whirlpool.com/product_help. In Canada, visit www.whirlpool.ca.

Contact us by mail with any questions or concerns at the address below:

In the U.S.A.:


Whirlpool Brand Home Appliances
Customer eXperience Center
553 Benson Road
Benton Harbor, MI 49022-2692

In Canada:

Whirlpool Brand Home Appliances
Customer eXperience Centre
200 - 6750 Century Ave.
Mississauga, Ontario L5N 0B7

Please include a daytime phone number in your correspondence.

⚠ WARNING



Electrical Shock Hazard

Plug into a grounded 3 prong outlet.


Do not remove ground prong.

Do not use an adapter.

Do not use an extension cord.

Failure to follow these instructions can result in death, fire, or electrical shock.

⚠ WARNING



Explosion Hazard

Use nonflammable cleaner.

Failure to do so can result in death, explosion, or fire.

If you experience	Possible Causes and/or Recommended Solutions
The refrigerator will not operate	<ul style="list-style-type: none"> ■ Not connected to an electrical supply - Plug the power cord into a grounded 3 prong outlet. Do not use an extension cord. ■ No power to the electrical outlet - Plug in a lamp to see if the outlet is working. ■ Household fuse blown or circuit breaker tripped - Replace the fuse or reset the circuit breaker. If the problem continues, contact an electrician. ■ Control is not turned on - Turn the refrigerator control on. ■ New installation - Allow 24 hours following installation for the refrigerator to cool completely. <p>NOTE: Adjusting the temperature control(s) to coldest setting will not cool the refrigerator more quickly.</p>
The motor seems to run too much	<p>Your new refrigerator may run longer than your old one. Energy efficient refrigerators run longer at lower, more energy efficient speeds. Your refrigerator may run even longer if the room is warm, a large food load is added, the door is opened often, or if the door has been left open.</p>

If you experience	Possible Causes and/or Recommended Solutions
The refrigerator is noisy	<p>Refrigerator noise has been reduced over the years. Due to this reduction in operating noise, you may notice unfamiliar noises that are normal. Following are some normal sounds with an explanation:</p> <ul style="list-style-type: none"> ■ Buzzing - heard when the water valve opens to fill the ice maker ■ Clicking/Snapping - valves opening or closing ■ Pulsating - fans/compressor adjusting to optimize performance ■ Rattling - flow of refrigerant, water line, or from items placed on top of the refrigerator ■ Sizzling/Gurgling - water dripping on the heater during defrost cycle ■ Popping - contraction/expansion of inside walls, especially during initial cool-down ■ Water running - may be heard when ice melts during the defrost cycle and water runs into the drain pan ■ Creaking/Cracking - occurs as ice is being ejected from the ice maker mold
The door will not close completely	<ul style="list-style-type: none"> ■ The door is blocked open - Move food packages away from door. Push bin or shelf back into the correct position. Make sure the crisper cover is fully pushed in, so that the back rests on the supports.
The door is difficult to open	<ul style="list-style-type: none"> ■ Gaskets are dirty or sticky - Clean gaskets and contact surfaces with mild soap and warm water. Rinse and dry with soft cloth.
Temperature is too warm	<ul style="list-style-type: none"> ■ New installation - Allow 24 hours following installation for the refrigerator to cool completely. ■ Door(s) opened often or not closed completely - Allows warm air to enter refrigerator. Minimize door openings and keep doors fully closed. ■ A large amount of warm food has been recently added - Allow several hours for refrigerator to return to normal temperature. ■ Check that the Temperature Control(s) are set correctly for the surrounding conditions - Adjust the controls to one setting colder. Check temperature in 24 hours. See “Using the Control(s).”
There is interior moisture buildup NOTE: Some moisture buildup is normal.	<ul style="list-style-type: none"> ■ Humid room - Contributes to moisture buildup in the refrigerator. ■ Door(s) opened often or not closed completely - Allows humid air to enter the refrigerator. Minimize door openings and keep door fully closed.
The ice maker is not producing ice or not enough ice (on some models)	<ul style="list-style-type: none"> ■ The ice maker is not connected to a water supply - Connect refrigerator to water supply and turn water shutoff valve fully open. ■ A kink in the line can reduce water flow - Straighten the water source line. ■ Ice maker is not turned on - Make sure the ice maker wire shutoff arm or switch (depending on model) is in the ON position. ■ New installation - Wait 24 hours after ice maker installation for ice production to begin. Wait 3 days for full ice production. ■ Large amount of ice recently removed - Allow sufficient time for ice maker to produce more ice. ■ Ice cube jammed in the ice maker ejector arm - Remove ice from the ejector arm with a plastic utensil. ■ A reverse osmosis water filtration system connected to your cold water supply can decrease water pressure - See “Water Supply Requirements.”
The ice cubes are hollow or small (on some models) NOTE: This is an indication of low water pressure.	<ul style="list-style-type: none"> ■ The water valve is not completely open - Turn the water shutoff valve fully open. ■ A kink in the line can reduce water flow - Straighten the water source line. ■ A reverse osmosis water filtration system connected to your cold water supply can decrease water pressure - See “Water Supply Requirements.” ■ If questions regarding water pressure remain, call a licensed, qualified plumber.
Off-taste, odor or gray color in the ice (on some models)	<ul style="list-style-type: none"> ■ New plumbing connections can cause discolored or off-flavored ice - Discard the ice and wash the ice storage bin. Allow 24 hours for the ice maker to make new ice, and discard the first 3 batches of ice produced. ■ Ice stored too long can develop an off-taste - Discard ice. Wash ice bin. Allow 24 hours for ice maker to make new ice. ■ Food odor transferring to ice - Use airtight, moisture proof packaging to store food. ■ There are minerals (such as sulfur) in the water - A water filter may need to be installed to remove the minerals.

ACCESSORIES

The following accessories are available for your refrigerator. To order, contact us and ask for the Part Number.

In the U.S.A., visit our webpage www.whirlpool.com/accessories or call **1-800-901-2042**.

In Canada, visit our webpage www.whirlpoolparts.ca or call **1-800-807-6777**.

affresh® Stainless Steel Cleaner:

In U.S.A., order Part #W10355016

In Canada, order Part #W10355016B

affresh® Stainless Steel Wipes:

In U.S.A., order Part #W10355049

In Canada, order Part #W10355049B

affresh® Kitchen & Appliance Cleaner:

In U.S.A., order Part #W10355010

In Canada, order Part #W10355010B

WHIRLPOOL® MAJOR APPLIANCE LIMITED WARRANTY

ATTACH YOUR RECEIPT HERE. PROOF OF PURCHASE IS REQUIRED TO OBTAIN WARRANTY SERVICE.

Please have the following information available when you call the Customer eXperience Center:

- Name, address and telephone number
- Model number and serial number
- A clear, detailed description of the problem
- Proof of purchase including dealer or retailer name and address

IF YOU NEED SERVICE:

1. Before contacting us to arrange service, please determine whether your product requires repair. Some questions can be addressed without service. Please take a few minutes to review the Troubleshooting or Problem Solver section of the Use and Care Guide, scan the QR code on the right to access additional resources, or visit www.whirlpool.com/product_help.
2. All warranty service is provided exclusively by our authorized Whirlpool Service Providers. In the U.S. and Canada, direct all requests for warranty service to:

Whirlpool Customer eXperience Center

In the U.S.A., call 1-800-253-1301. In Canada, call 1-800-807-6777.

If outside the 50 United States or Canada, contact your authorized Whirlpool dealer to determine whether another warranty applies.



www.whirlpool.com/product_help

ONE YEAR LIMITED WARRANTY

WHAT IS COVERED

For one year from the date of purchase, when this major appliance is installed, operated and maintained according to instructions attached to or furnished with the product, Whirlpool Corporation or Whirlpool Canada LP (hereafter "Whirlpool") will pay for Factory Specified Replacement Parts and repair labor to correct defects in materials or workmanship that existed when this major appliance was purchased, or at its sole discretion replace the product. In the event of product replacement, your appliance will be warranted for the remaining term of the original unit's warranty period.

YOUR SOLE AND EXCLUSIVE REMEDY UNDER THIS LIMITED WARRANTY SHALL BE PRODUCT REPAIR AS PROVIDED HEREIN. Service must be provided by a Whirlpool designated service company. This limited warranty is valid only in the United States or Canada and applies only when the major appliance is used in the country in which it was purchased. This limited warranty is effective from the date of original consumer purchase. Proof of original purchase date is required to obtain service under this limited warranty.

WHAT IS NOT COVERED

1. Commercial, non-residential, multiple-family use, or use inconsistent with published user, operator or installation instructions.
2. In-home instruction on how to use your product.
3. Service to correct improper product maintenance or installation, installation not in accordance with electrical or plumbing codes or correction of household electrical or plumbing (i.e. house wiring, fuses or water inlet hoses).
4. Consumable parts (i.e. light bulbs, batteries, air or water filters, preservation solutions, etc.).
5. Conversion of products from natural gas or L.P. gas.
6. Damage from accident, misuse, abuse, fire, floods, acts of God or use with products not approved by Whirlpool.
7. Repairs to parts or systems to correct product damage or defects caused by unauthorized service, alteration or modification of the appliance.
8. Cosmetic damage including scratches, dents, chips, and other damage to the appliance finishes unless such damage results from defects in materials and workmanship and is reported to Whirlpool within 30 days.
9. Discoloration, rust or oxidation of surfaces resulting from caustic or corrosive environments including but not limited to high salt concentrations, high moisture or humidity or exposure to chemicals.
10. Food or medicine loss due to product failure.
11. Pick-up or delivery. This product is intended for in-home repair.
12. Travel or transportation expenses for service in remote locations where an authorized Whirlpool servicer is not available.
13. Removal or reinstallation of inaccessible appliances or built-in fixtures (i.e. trim, decorative panels, flooring, cabinetry, islands, countertops, drywall, etc.) that interfere with servicing, removal or replacement of the product.
14. Service or parts for appliances with original model/serial numbers removed, altered or not easily determined.

The cost of repair or replacement under these excluded circumstances shall be borne by the customer.

DISCLAIMER OF IMPLIED WARRANTIES

IMPLIED WARRANTIES, INCLUDING ANY IMPLIED WARRANTY OF MERCHANTABILITY OR IMPLIED WARRANTY OF FITNESS FOR A PARTICULAR PURPOSE, ARE LIMITED TO ONE YEAR OR THE SHORTEST PERIOD ALLOWED BY LAW. Some states and provinces do not allow limitations on the duration of implied warranties of merchantability or fitness, so this limitation may not apply to you. This warranty gives you specific legal rights, and you also may have other rights that vary from state to state or province to province.

DISCLAIMER OF REPRESENTATIONS OUTSIDE OF WARRANTY

Whirlpool makes no representations about the quality, durability, or need for service or repair of this major appliance other than the representations contained in this warranty. If you want a longer or more comprehensive warranty than the limited warranty that comes with this major appliance, you should ask Whirlpool or your retailer about buying an extended warranty.

LIMITATION OF REMEDIES; EXCLUSION OF INCIDENTAL AND CONSEQUENTIAL DAMAGES

YOUR SOLE AND EXCLUSIVE REMEDY UNDER THIS LIMITED WARRANTY SHALL BE PRODUCT REPAIR AS PROVIDED HEREIN. WHIRLPOOL SHALL NOT BE LIABLE FOR INCIDENTAL OR CONSEQUENTIAL DAMAGES. Some states and provinces do not allow the exclusion or limitation of incidental or consequential damages, so these limitations and exclusions may not apply to you. This warranty gives you specific legal rights, and you also may have other rights that vary from state to state or province to province.



INSTRUCCIONES PARA EL USUARIO DEL REFRIGERADOR

LE AGRADECEMOS la compra de este producto de alta calidad. Registre su refrigerador en www.whirlpool.com. En Canadá, registre su refrigerador en www.whirlpool.ca.

Para referencia futura, tome nota del número de modelo y de serie del producto, ubicados en la pared interior del compartimiento del refrigerador.

Número de modelo _____ Número de serie _____

SEGURIDAD DEL REFRIGERADOR

Su seguridad y la seguridad de los demás es muy importante.

Hemos incluido muchos mensajes importantes de seguridad en este manual y en su electrodoméstico. Lea y obedezca siempre todos los mensajes de seguridad.



Este es el símbolo de advertencia de seguridad.

Este símbolo le llama la atención sobre peligros potenciales que pueden ocasionar la muerte o una lesión a usted y a los demás.

Todos los mensajes de seguridad irán a continuación del símbolo de advertencia de seguridad y de la palabra "PELIGRO" o "ADVERTENCIA". Estas palabras significan:

 **PELIGRO**

Si no sigue las instrucciones de inmediato, usted puede morir o sufrir una lesión grave.

 **ADVERTENCIA**

Si no sigue las instrucciones, usted puede morir o sufrir una lesión grave.

Todos los mensajes de seguridad le dirán el peligro potencial, le dirán cómo reducir las posibilidades de sufrir una lesión y lo que puede suceder si no se siguen las instrucciones.

INSTRUCCIONES IMPORTANTES DE SEGURIDAD

ADVERTENCIA: Para reducir el riesgo de incendio, choque eléctrico, o lesiones personales al usar su refrigerador siga estas precauciones básicas, incluidas las siguientes:

- Conecte a un contacto de pared de conexión a tierra de 3 terminales.
- No quite la terminal de conexión a tierra.
- No use un adaptador.
- No use un cable eléctrico de extensión.
- Desconecte el suministro de energía antes de darle servicio.
- Vuelva a colocar todos los componentes y paneles antes de hacerlo funcionar.
- Remueva las puertas de su refrigerador viejo.
- Use un limpiador no inflamable.
- Mantenga los materiales y vapores inflamables, tales como gasolina, alejados del refrigerador.
- Use dos o más personas para mover e instalar el refrigerador.
- Desconecte el suministro de energía antes de instalar la fábrica de hielo (en aquellos modelos que incluyen el juego de instalación de la fábrica de hielo).

CONSERVAR ESTAS INSTRUCCIONES

Advertencias de la Proposición 65 del estado de California:

ADVERTENCIA: Este producto contiene una o más sustancias químicas identificadas por el estado de California como causantes de cáncer.

ADVERTENCIA: Este producto contiene una o más sustancias químicas identificadas por el estado de California como causantes de defectos congénitos o algún otro tipo de daños en la función reproductora.

Cómo deshacerse adecuadamente de su refrigerador viejo

⚠️ ADVERTENCIA

Peligro de Asfixia

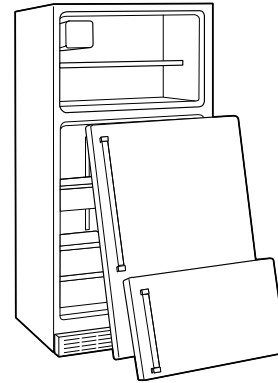
Remueva las puertas de su refrigerador viejo.

No seguir esta instrucción puede ocasionar la muerte o daño al cerebro.

IMPORTANTE: El atrapamiento y asfixia de niños no es un problema del pasado. Los refrigeradores tirados y abandonados son un peligro, aún si van a quedar ahí “por unos pocos días”. Si Ud. está por deshacerse de su refrigerador viejo, por favor siga las instrucciones que se dan a continuación para prevenir accidentes.

Antes de tirar su viejo refrigerador o congelador:

- Saque las puertas.
- Deje los estantes en su lugar para que los niños no puedan meterse con facilidad.



Información importante para saber acerca del desecho de refrigerantes:

Deshágase del refrigerador siguiendo los reglamentos federales y locales. Los refrigerantes deberán ser evacuados por un técnico certificado en refrigeración por EPA (Agencia de protección del medioambiente) según los procedimientos establecidos.

INSTRUCCIONES DE INSTALACIÓN

Desempaque el refrigerador

⚠️ ADVERTENCIA

Peligro de Peso Excesivo

Use dos o más personas para mover e instalar el refrigerador.

No seguir esta instrucción puede ocasionar una lesión en la espalda u otro tipo de lesiones.

IMPORTANTE: No quite el inserto de espuma blanca de retorno de aire que está ubicado detrás del panel de control, en el techo del refrigerador (en algunos modelos). Esta pieza es parte del refrigerador y no es parte del material de empaque. Si se quita dicha pieza, el hielo del congelador puede bajar y formar carámbanos.

Cómo mover su refrigerador:

Su refrigerador es pesado. Cuando mueva el refrigerador para limpiarlo o para darle servicio, cerciórese de cubrir el piso con cartón o madera para evitar daños en el mismo. Al mover el refrigerador, siempre tire directamente hacia afuera. No menee el refrigerador de lado a lado ni lo haga “caminar” cuando lo trate de mover ya que podría dañar el piso.

Quite los materiales de empaque

- Quite los restos de cinta y goma de las superficies de su refrigerador antes de encenderlo. Frote un poco de detergente líquido para vajillas sobre el adhesivo con los dedos. Limpie con agua tibia y seque.

NOTA: No use instrumentos filosos, alcohol para fricciones, líquidos inflamables o limpiadores abrasivos para eliminar restos de cinta o goma. Estos productos pueden dañar la superficie de su refrigerador. Para más información, vea “Seguridad del refrigerador”.

- Deshágase de todos los materiales de embalaje o recíclelos.

Limpieza antes del uso

Una vez que usted haya quitado todos los materiales de empaque, limpie el interior de su refrigerador antes de usarlo. Vea las instrucciones de limpieza en "Cuidado de su refrigerador".

Información importante para saber acerca de los estantes y tapas de vidrio:

No limpie los estantes y tapas de vidrio con agua caliente mientras están fríos. Los estantes y tapas pueden romperse si se exponen a cambios bruscos de temperatura o impacto, como sería un golpe brusco. El vidrio templado se ha diseñado para hacerse añicos. Esto es normal. Los estantes y tapas de vidrio son muy pesados. Use ambas manos al sacarlos para evitar que se caigan.

Requisitos de ubicación

⚠ ADVERTENCIA



Peligro de Explosión

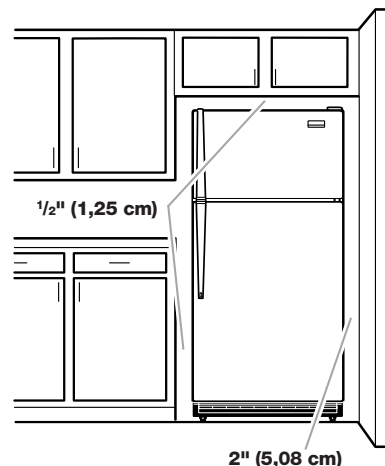
Mantenga los materiales y vapores inflamables, tales como gasolina, alejados del refrigerador.

No seguir esta instrucción puede ocasionar la muerte, explosión, o incendio.

IMPORTANTE: Este refrigerador ha sido diseñado para usarse solamente en el interior del hogar.

Para asegurar la adecuada ventilación para su refrigerador, deje un espacio de 1/2" (1,25 cm) a cada lado y por encima. Deje un espacio de 1" (2,54 cm) detrás del refrigerador. Si su refrigerador tiene fábrica de hielo, asegúrese que hay espacio adicional atrás para las conexiones de la línea de agua. Si Ud. instala el refrigerador próximo a una pared fija, deje un espacio mínimo de 2" (5,08 cm) en el lado de la bisagra (algunos modelos necesitan más espacio) para permitir que la puerta abra bien.

NOTA: Este refrigerador ha sido diseñado para usarse en un lugar en donde los rangos de temperatura varíen entre un mínimo de 55 °F (13 °C) y un máximo de 110 °F (43 °C). Para un óptimo rendimiento, el rango preferido de temperatura de la habitación (que reduce el uso de electricidad y provee un enfriamiento superior) es entre 60 °F (15 °C) y 90 °F (32 °C). No se recomienda instalar el refrigerador cerca de una fuente de calor, como puede ser un horno o un radiador.



Requisitos eléctricos

⚠ ADVERTENCIA



Peligro de Choque Eléctrico

Conecte a un contacto de pared de conexión a tierra de 3 terminales.

No quite la terminal de conexión a tierra.

No use un adaptador.

No use un cable eléctrico de extensión.

No seguir estas instrucciones puede ocasionar la muerte, incendio o choque eléctrico.

Antes de mover el refrigerador a su ubicación final, es importante asegurarse de que tiene la conexión eléctrica adecuada.

Método de conexión a tierra recomendado

Se requiere una fuente de energía eléctrica de 115 Voltios, 60 Hz, CA solamente y con fusibles de 15 ó 20 amperios, conectada a tierra. Se recomienda que use un circuito separado sólo para su refrigerador. Use un tomacorriente que no se pueda apagar con un interruptor. No use un cable eléctrico de extensión.

NOTA: Antes de realizar cualquier tipo de instalación, limpieza o de quitar un foco de luz, apague el enfriamiento o gire el control (del termostato, del refrigerador o del congelador dependiendo del modelo) hacia la posición OFF (Apagado) y luego desconecte el refrigerador de la fuente de energía. Cuando haya terminado, reconecte el refrigerador a la fuente de energía eléctrica y encienda el enfriamiento o vuelva a fijar el control (del termostato, del refrigerador o del congelador dependiendo del modelo) en la posición deseada. Vea "Uso de los controles" en las Instrucciones para el usuario, el Manual del usuario, o el Manual de uso y cuidado.

Requisitos del suministro de agua

Lea todas las instrucciones antes de comenzar.

Reúna las herramientas y piezas necesarias antes de comenzar la instalación. Lea y siga las instrucciones provistas con cualquiera de las herramientas enlistadas.

HERRAMIENTAS NECESARIAS: Destornillador de hoja plana, llaves de boca de $\frac{7}{16}$ " y $\frac{1}{2}$ " o 2 llaves ajustables, llave de tuercas y broca de $\frac{1}{4}$ ", y un taladro inalámbrico.

IMPORTANTE:

- Si enciende el refrigerador antes de conectar la tubería de agua, APAGUE la fábrica de hielo.
- Todas las instalaciones deben hacerse de acuerdo a los requerimientos del código de plomería local.
- Use tubería de cobre y revise si hay fugas. Instale la tubería de cobre sólo en áreas donde la temperatura vaya a permanecer por encima del punto de congelación.

NOTA: El distribuidor de su refrigerador tiene un juego disponible de válvula de cierre tipo montura de $\frac{1}{4}$ " (6,35 mm), una unión y tubería de cobre. Antes de comprar, asegúrese de que la válvula de tipo montura cumple con los códigos de plomería locales. No use una válvula perforadora o una válvula de montura de $\frac{3}{16}$ " (4,76 mm), que reduce el flujo de agua y se obstruye con más facilidad.

Presión del agua

IMPORTANTE: Se necesita un suministro de agua fría con presión de agua entre 30 y 120 lbs/pulg² (207 y 827 kPa) para hacer funcionar la fábrica de hielo.

NOTA: Si la presión de agua es menor de lo requerido, los cubos de hielo pueden ser huecos o de tamaño irregular.

Si tiene preguntas acerca de la presión del agua, llame a un plomero competente autorizado.

Suministro de agua de ósmosis inversa

Si se conecta un sistema de filtración de agua de ósmosis inversa al suministro de agua fría, la presión de agua al sistema de ósmosis inversa necesitará ser de un mínimo de 40 a 60 lbs/pulg² (276 a 414 kPa).

Si la fábrica de hielo continúa sin funcionar adecuadamente:

- Fíjese si el filtro de sedimentos en el sistema de ósmosis inversa está bloqueado. Reemplácelo si fuera necesario.
- Deje que se vuelva a llenar el tanque de almacenaje del sistema de ósmosis inversa después del uso intenso.

Conexión del suministro de agua

Lea todas las instrucciones antes de comenzar.

IMPORTANTE: Si enciende el refrigerador antes de instalar la conexión del agua, APAGUE la fábrica de hielo.

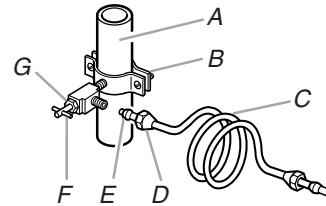
Conexión a la línea de agua

1. Desenchufe el refrigerador o desconecte el suministro de energía.
2. CIERRE el suministro principal de agua. ABRA la llave de agua más cercana el tiempo suficiente para que la tubería de agua se vacíe totalmente.
3. Busque una tubería vertical de agua fría de $\frac{1}{2}$ " a $1\frac{1}{4}$ " (1,25 cm a 3,18 cm) cercana al refrigerador.

IMPORTANTE:

- Asegúrese de que sea una tubería de agua fría.
- Una tubería horizontal funcionará, pero taladre por el lado superior de la tubería, no por debajo. Esto ayudará a mantener el agua alejada del taladro. Esto también evita que se junte sedimento normal en la válvula.

4. Para determinar la longitud de la tubería de cobre que va a necesitar, mida desde la conexión de la parte trasera inferior izquierda del refrigerador hasta la tubería de agua. Agregue 7 pies (2,1 m) para la limpieza. Use tubería de cobre de $\frac{1}{4}$ " (6,35 mm) de diámetro externo. Asegúrese que ambos extremos de la tubería de cobre estén cortados rectos.
5. Usando un taladro inalámbrico, haga un orificio de $\frac{1}{4}$ " en la tubería de agua fría que Ud. eligió.

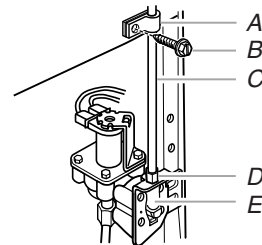


- A. Tubería de agua fría
B. Abrazadera para tubería
C. Tubería de cobre
D. Tuerca de compresión
E. Manga de compresión
F. Válvula de cierre
G. Tuerca de presión

6. Ajuste la válvula de cierre a la tubería de agua fría con la abrazadera para tubería. Asegúrese que el extremo de salida esté firmemente insertado en el orificio taladrado de $\frac{1}{4}$ " en la tubería de agua y que la arandela esté por debajo de la abrazadera para tubería. Ajuste la tuerca de presión. Apriete los tornillos de la abrazadera para tubería lentamente y en forma pareja de manera que la arandela provea un cierre hermético. No apriete demasiado porque se puede quebrar la tubería de cobre.
7. Deslice la manga de compresión y la tuerca de compresión sobre la tubería de cobre como se muestra. Inserte el extremo de la tubería en el extremo de salida en ángulo recto hasta donde sea posible. Atornille la tuerca de compresión sobre el extremo de salida con una llave ajustable. No apriete demasiado.
8. Coloque el extremo libre de la tubería dentro de un recipiente o fregadero, y ABRA la llave de agua principal. Enjuague la tubería hasta que el agua salga limpia. CIERRE la válvula de cierre en la tubería de agua. Enrolle la tubería de cobre en espiral.

Conexión al refrigerador

1. Desenchufe el refrigerador o desconecte el suministro de energía.
2. Fije el tubo de cobre a la entrada de la válvula usando una tuerca de compresión y manga de compresión como se muestra. Ajuste la tuerca de compresión. No apriete demasiado.
3. Use la abrazadera para tubería en la parte trasera del refrigerador para afianzar la tubería al refrigerador según se muestra. Esto ayudará a evitar daños en la tubería cuando el refrigerador se empuje nuevamente contra la pared.
4. ABRA la válvula de cierre.
5. Revise si hay fugas. Ajuste las conexiones (incluso las de la válvula) o tuercas que tienen fugas.



- A. Abrazadera para tubería
B. Tornillo de abrazadera para tubería
C. Tubería de cobre
D. Tuerca de compresión
E. Entrada de la válvula

- La fábrica de hielo está equipada con un filtro de agua incorporado. Si las condiciones del agua local requieren un segundo filtro de agua, se debe instalar en la línea de agua de 1/4" (6,35 mm) en cualquiera de las conexiones de la tubería. Consiga un filtro de agua del distribuidor de electrodomésticos más cercano a su domicilio.

Cómo terminar la instalación

⚠ ADVERTENCIA



Peligro de Choque Eléctrico

Conecte a un contacto de pared de conexión a tierra de 3 terminales.

No quite la terminal de conexión a tierra.

No use un adaptador.

No use un cable eléctrico de extensión.

No seguir estas instrucciones puede ocasionar la muerte, incendio o choque eléctrico.

- Conecte a un contacto de pared de conexión a tierra de 3 terminales.

NOTA: Deje transcurrir 24 horas para la producción del primer lote de hielo. Deshágase de los tres primeros lotes de hielo producido. Deje pasar 3 días para que se llene completamente el recipiente para hielo.

Puertas del refrigerador

Herramientas necesarias:

- Llave de tubo de cabeza hexagonal 5/16"
- Llave de boca abierta de 5/16"
- Destornillador Phillips N° 2
- Cuchillo plano para masilla de 2"
- Destornillador de hoja plana

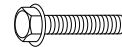
IMPORTANTE:

- Antes de comenzar, gire el control del refrigerador hacia la posición OFF (Apagado). Desenchufe el refrigerador o desconecte el suministro de energía.
- Quite todos los alimentos y los recipientes ajustables o de uso múltiple de las puertas.
- Si usted sólo va a quitar las puertas y volverlas a colocar, vea las secciones "Quite las puertas y las bisagras" y "Vuelva a colocar las puertas y las bisagras".
- Dependiendo de su modelo, puede ser que usted tenga puertas estándar (**Estilo 1**) o contorneadas (**Estilo 2**). Si usted también va a invertir el sentido de oscilación de la puerta, siga las instrucciones para el estilo de puerta adecuado.

NOTA: Se encuentra disponible un juego para invertir el cierre de la puerta que incluye una nueva placa de la marca y cubiertas para los orificios.

- Todas las ilustraciones a las que se hace referencia en las siguientes instrucciones se incluyen más adelante en esta sección después de "Pasos finales".

Quite las puertas y las bisagras



Tornillo para bisagra de cabeza hexagonal de 5/16"

- Desenchufe el refrigerador o desconecte el suministro de energía.
- Cierre la puerta del refrigerador y mantenga las dos puertas cerradas hasta que esté listo para separarlas de la carcasa. **NOTA:** Mientras quita las bisagras siempre disponga de un soporte adicional para las puertas. No se confíe en que los imanes de las puertas van a sostener las puertas en su lugar mientras trabaja.
- Quite las piezas de la bisagra superior como se muestra en la ilustración Bisagra superior. Levante y quite la puerta del congelador de la carcasa.
- Quite las piezas de la bisagra central como se muestra en la ilustración Bisagra central. Levante y quite la puerta del refrigerador de la carcasa.
- Quite la rejilla de la base del frente inferior del refrigerador.
- Quite las piezas de la bisagra inferior como se muestra en la ilustración Bisagra inferior.

Cambio del sentido de abertura de las puertas (opcional)

IMPORTANTE: Siga estas instrucciones si desea que las puertas abran en el sentido opuesto. Si no desea cambiar el sentido de abertura de las puertas, vea "Vuelva a colocar las puertas y las bisagras".

Estilo 1 - Modelos de puerta estándar

Las ilustraciones se encuentran después de estas instrucciones.



Tornillo del retén de la puerta



Tapón del orificio de la manija de la puerta



Tornillo sellador de la manija de la puerta



Tapón del orificio de la bisagra de la puerta



Tornillo de cabeza plana de la manija



Tapón del orificio de la bisagra de la carcasa



Tapa domo



Arandela de tapa domo

Carcasa

- Quite las tres tapas domo y los tornillos del lado de la manija y colóquelos en el lado opuesto. Vea la Ilustración 1-1.
- Quite los tapones de los orificios de las bisagras de la parte superior de la carcasa y colóquelos en los orificios de la bisagra del lado opuesto como se muestra. Vea la ilustración 1-2.

Puerta del congelador

- Quite la cubierta del tornillo. Vea la Ilustración 2.
- Quite el ensamblaje de la manija del congelador como se muestra. Conserve todas las piezas juntas. Vea la Ilustración 2.
- Quite el tapón del orificio de la bisagra de la puerta del congelador. Colóquelo en el orificio de la bisagra del lado opuesto como se muestra. Vea la Ilustración 3.

- Quite la placa con la marca usando la herramienta de plástico (provista). Reemplácela con la placa provista en el juego para invertir el cierre de la puerta ubicado dentro del cajón para verduras. Para un reemplazo adecuado, vea la plantilla de Colocación de la placa con la marca (la última página de este manual).

NOTAS:

- Para evitar rayar el acabado, no utilice ningún objeto metálico ni afilado para levantar la placa con la marca de la puerta.
- Frote con los dedos un poco de detergente líquido para vajillas sobre los residuos de adhesivo. Enjuague la puerta con agua tibia y seque con un paño suave.

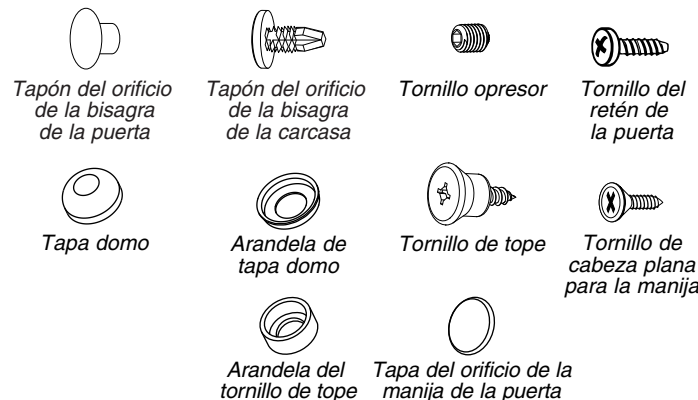
- Quite el tope de la puerta. Colóquelo en el lado opuesto de la puerta del refrigerador como se muestra. Vea la Ilustración 5.
- Coloque la manija del congelador en el lado opuesto de la puerta del congelador como se muestra. Vea la Ilustración 2. Primero, atornille los dos tornillos inferiores en la manija. Alinee la parte superior de la manija y atornille el tornillo superior en la manija.
- Apriete todos los tornillos. Ponga la puerta a un lado hasta que las bisagras y la puerta del compartimiento del refrigerador estén en su sitio.
- Vuelva a colocar la cubierta del tornillo. Vea la Ilustración 2.

Puerta del refrigerador

- Quite la cubierta del tornillo. Vea la Ilustración 6.
- Quite el ensamblaje de la manija del refrigerador como se muestra. Conserve todas las piezas juntas. Vea la Ilustración 6.
- Quite el tapón del orificio de la bisagra de la puerta del refrigerador. Colóquelo en el orificio de la bisagra del lado opuesto como se muestra. Vea la Ilustración 3.
- Quite los tornillos selladores de la manija de la puerta. Colóquelos en el lado opuesto de la puerta del refrigerador como se muestra. Vea la Ilustración 4.
- Quite el tapón del orificio de la manija de la puerta y deséchelo. Vea la Ilustración 7. Reemplácelo en el lado opuesto con el tapón del orificio de la manija de la puerta provisto en el juego para invertir el cierre de la puerta ubicado en el cajón para verduras.
- Quite el tope de la puerta. Colóquelo en el lado opuesto de la puerta del refrigerador como se muestra. Vea la Ilustración 5.
- Coloque la manija del refrigerador en el lado opuesto de la puerta del refrigerador como se muestra. Vea la Ilustración 6. Enrosque primero los dos tornillos de arriba de la manija. Alinee la parte de abajo de la manija y enrosque el tornillo inferior en la manija.
- Apriete todos los tornillos. Ponga la puerta del refrigerador a un lado hasta que se haya instalado la bisagra inferior en el refrigerador.
- Vuelva a colocar la cubierta del tornillo. Vea la Ilustración 6.

Estilo 2 - Modelos de puerta contorneada

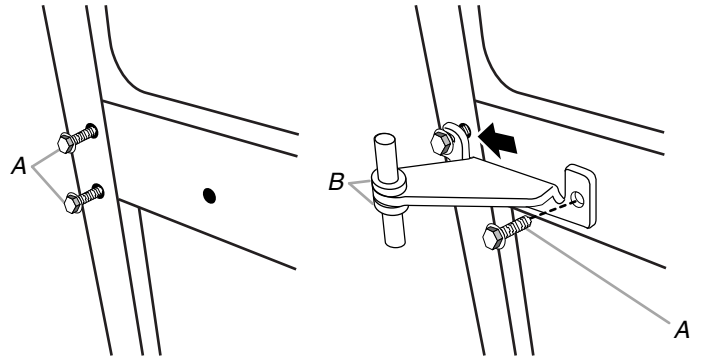
Las ilustraciones se encuentran después de estas instrucciones.



Carcasa

- Quite las tres tapas domo y los tornillos del lado de la manija y colóquelos en el lado opuesto. Vea la Ilustración 1-1.
- Usando tres tornillos de cabeza hexagonal para bisagra de 5/16", inserte dos tornillos a la mitad en los orificios, dejando un espacio para introducir la bisagra central.
- Deslice la bisagra central desde la derecha hacia los tornillos, inserte el tercer tornillo y apriete todos los tornillos por completo.

NOTA: Asegúrese de que las arandelas estén en su lugar tanto en el pasador inferior como el superior de la bisagra central.



A. Tornillos de cabeza hexagonal para bisagra de 5/16"
B. Arandelas

- Quite los tapones de los orificios de la bisagra de la parte superior de la carcasa y colóquelos en los orificios de la bisagra del lado opuesto, como se muestra. Vea la Ilustración 1-2.

Puerta del congelador

- Quite la manija de la puerta del congelador. Con una llave hexagonal en L de 1/8", afloje el tornillo opresor ubicado en el lateral de la manija. Jale de la manija directamente hacia afuera de la puerta. Conserve todas las piezas juntas. Vea la Ilustración 2.
- Quite la placa con la marca usando la herramienta de plástico (provista). Reemplácela con la placa provista en el juego para invertir el cierre de la puerta ubicado dentro del cajón para verduras. Para un reemplazo adecuado, vea la plantilla de Colocación de la placa con la marca (la última página de este manual).

NOTAS:

- Para evitar rayar el acabado, no utilice ningún objeto metálico ni afilado para levantar la placa con la marca de la puerta.
 - Frote con los dedos un poco de detergente líquido para vajillas sobre los residuos de adhesivo. Enjuague la puerta con agua tibia y seque con un paño suave.
- Quite el tope de la puerta. Colóquelo en el lado opuesto de la puerta del congelador como se muestra. Vea la Ilustración 4.
 - Vuelva a colocar la manija del congelador en el lado opuesto de la puerta del congelador como se muestra. Vea la Ilustración 2.
 - Apriete todos los tornillos. Ponga la puerta a un lado hasta que las bisagras y la puerta del compartimiento del refrigerador estén en su sitio.

Puerta del refrigerador

1. Quite la manija de la puerta del refrigerador. Con una llave hexagonal en L de $\frac{1}{8}$ " , afloje el tornillo opresor ubicado en el lateral de la manija. Jale de la manija directamente hacia afuera de la puerta. Conserve todas las piezas juntas. Vea la Ilustración 6.
2. Quite el tapón del orificio de la bisagra de la puerta del refrigerador. Colóquelo en el orificio de la bisagra del lado opuesto como se muestra. Vea la Ilustración 3.
3. Quite el tapón del orificio de la manija de la puerta y deséchelo. Vea la Ilustración 7. Reemplácelo en el lado opuesto con el tapón del orificio de la manija de la puerta provisto en el juego para invertir el cierre de la puerta ubicado en el cajón para verduras.
4. Quite el tope de la puerta. Colóquelo en el lado opuesto de la puerta del refrigerador como se muestra. Vea la Ilustración 4.
5. Vuelva a colocar la manija del refrigerador en el lado opuesto de la puerta del refrigerador como se muestra. Vea la Ilustración 6.
6. Apriete todos los tornillos. Ponga la puerta del refrigerador a un lado hasta que se haya instalado la bisagra inferior en el refrigerador.

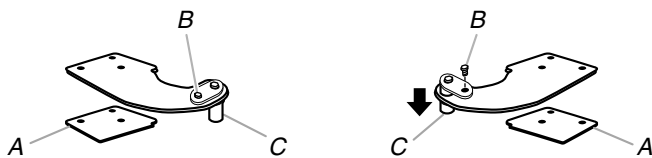
Vuelva a colocar las puertas y las bisagras

NOTA: Si el sentido de abertura de la puerta se cambia, la ilustración de la puerta puede quedar invertida.

1. Vuelva a colocar las piezas de la bisagra inferior en su sitio como se muestra. Apriete los tornillos. Vuelva a colocar la puerta del refrigerador.
NOTA: Mientras quita las bisagras siempre disponga de un soporte adicional para las puertas. No se confíe en que los imanes de las puertas van a sostener las puertas en su lugar mientras trabaja.
2. Mida la distancia desde la parte inferior de la puerta del refrigerador hasta el piso. La distancia debe ser de aproximadamente $3\frac{1}{2}$ " (88 mm).
NOTA: Si fuera necesario, afloje la bisagra inferior sin quitar los tornillos, ajuste la puerta a la altura correcta y apriete los tornillos por completo.
3. Ensamble las piezas de la bisagra central como se muestra y apriete todos los tornillos. Vea la ilustración Bisagra central. Vuelva a colocar la puerta del congelador.
4. Ensamble las piezas de la bisagra superior como se muestra. Vea la ilustración Bisagra superior. No apriete los tornillos completamente.

Solo para modelos de puerta contorneada:

- Quite el tornillo enganchando el pasador a la bisagra. Dé vuelta la bisagra para que apunte a la dirección opuesta.
- Coloque el separador de plástico debajo de la bisagra para que quede entre la bisagra y la carcasa, asegurándose de que los orificios estén alineados.



A. Separador de plástico

B. Tornillo del pasador de la bisagra

C. Pasador de la bisagra

- Ajuste la bisagra superior al lado opuesto de la carcasa, insertando solo los tornillos a la mitad para que sea capaz de volver a colocar y alinear la puerta del congelador más tarde.

5. Alinee las puertas de tal manera que la parte inferior de la puerta del congelador esté alineada uniformemente con la parte superior de la puerta del refrigerador. Apriete todos los tornillos.

NOTA: La distancia entre las puertas debe ser de aproximadamente $\frac{5}{8}$ " (16 mm).

Pasos finales

1. Revise todos los orificios para cerciorarse de que los tapones de los orificios y los tornillos estén en su lugar. Vuelva a instalar la cubierta de la bisagra superior. Vea la ilustración Bisagra superior.

⚠ ADVERTENCIA



Peligro de Choque Eléctrico

Conecte a un contacto de pared de conexión a tierra de 3 terminales.

No quite la terminal de conexión a tierra.

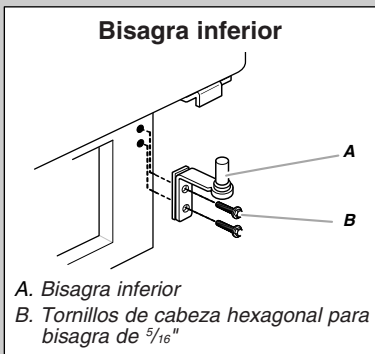
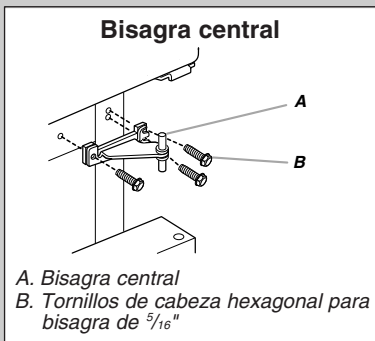
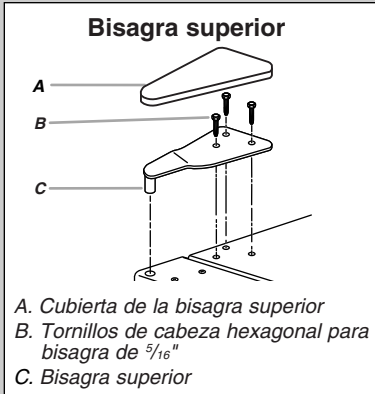
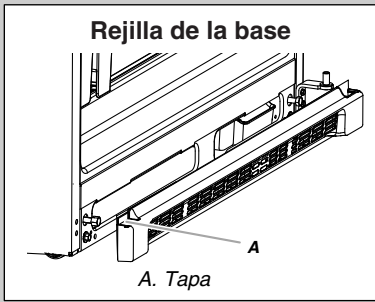
No use un adaptador.

No use un cable eléctrico de extensión.

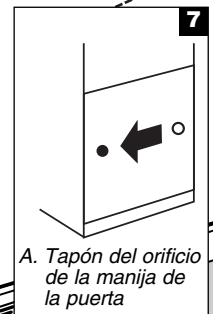
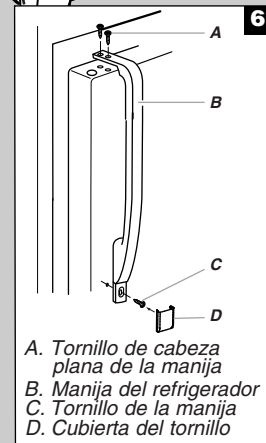
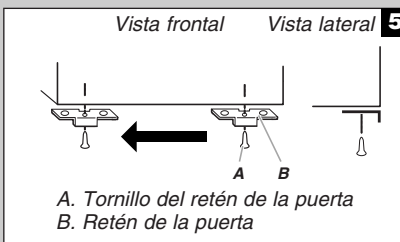
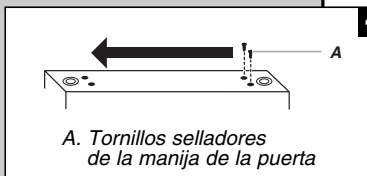
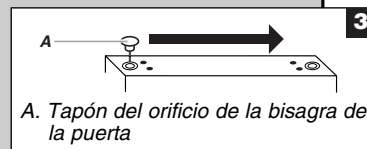
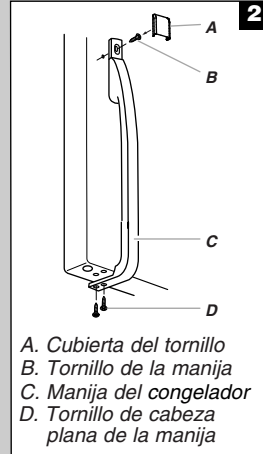
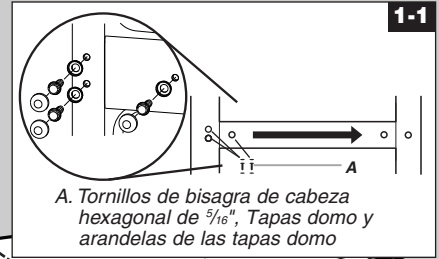
No seguir estas instrucciones puede ocasionar la muerte, incendio o choque eléctrico.

2. Quite la cubierta de la rejilla de la base. Coloque la cubierta en el lado opuesto.
3. Alinee los sujetadores de la rejilla de la base con los tornillos en la parte inferior de la carcasa. Jale de la rejilla de la base hacia la carcasa hasta que esté nivelada.
4. Conecte el producto a un tomacorriente de pared de 3 terminales con conexión a tierra.
5. Vuelva a ajustar los controles. Vea "Uso del (de los) control(es)".
6. Vuelva a colocar todas las piezas desmontables a las puertas y los alimentos al refrigerador.

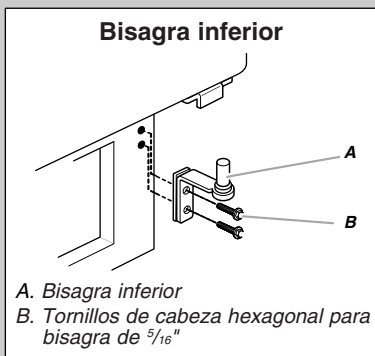
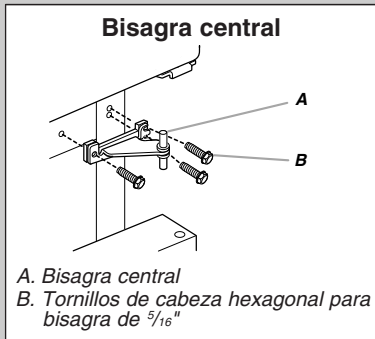
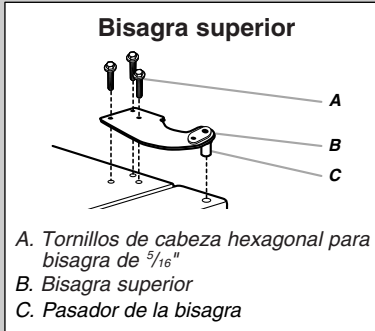
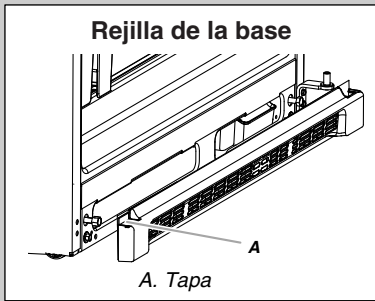
Cómo quitar y volver a poner la puerta en su lugar



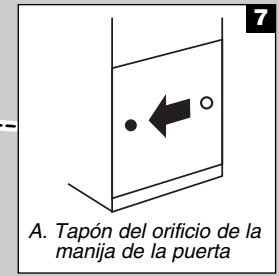
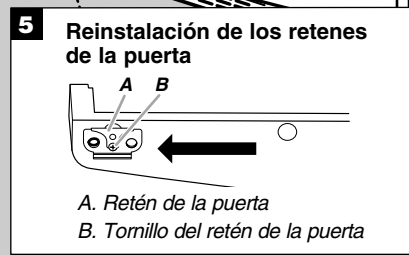
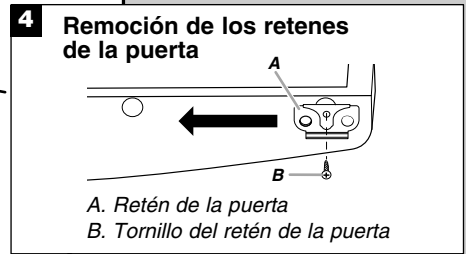
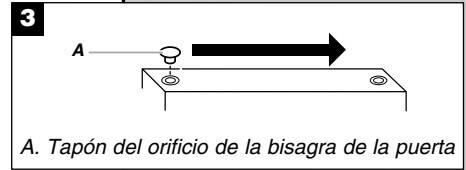
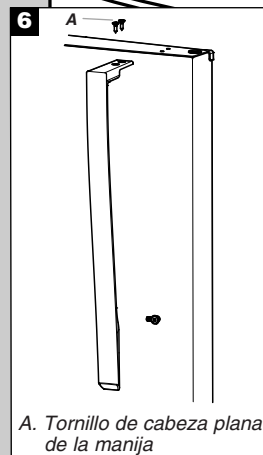
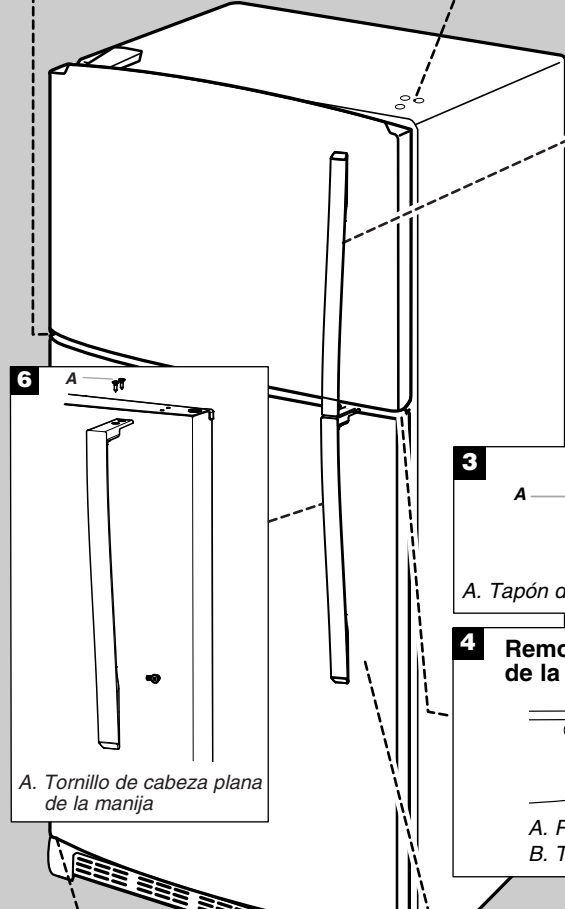
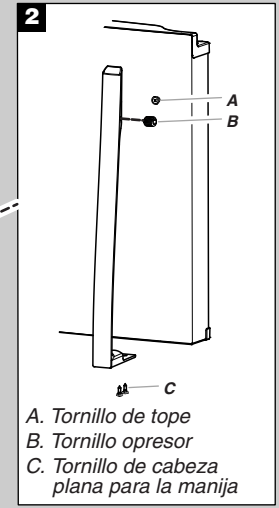
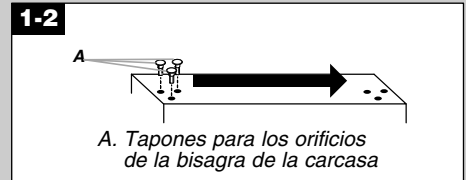
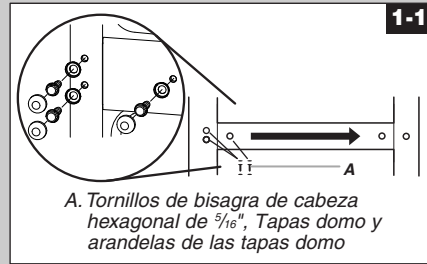
Cambio del sentido de apertura de las puertas (opcional)



Cómo quitar y volver a poner la puerta en su lugar



Cambio del sentido de apertura de las puertas (opcional)



Instrucciones del juego para invertir el cierre de la puerta

Si su modelo incluye un juego para invertir el cierre de la puerta, use la plantilla de Colocación de la placa con la marca y siga las instrucciones a continuación para instalar la placa con la marca en el lado opuesto de la puerta del congelador.

Piezas incluidas:

Herramienta para retirar la placa con la marca
Plantilla de la placa con la marca (última página de las Instrucciones del usuario)
Tapón del orificio de la manija de la puerta

Herramientas necesarias:

Tijeras
Cinta adhesiva protectora

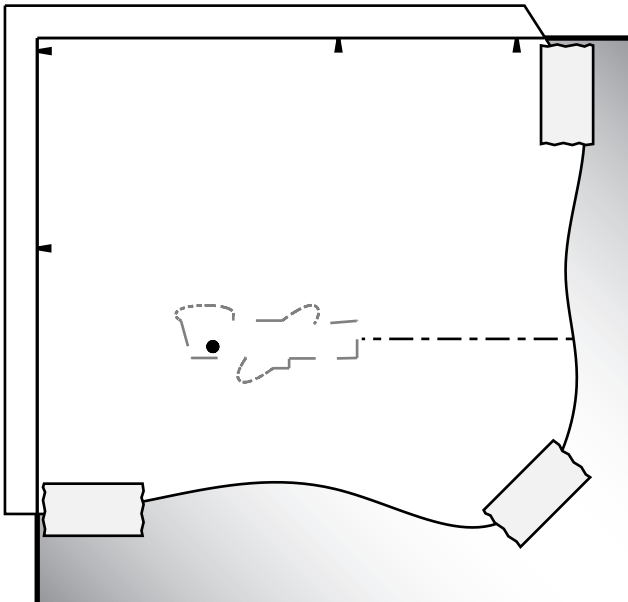
Puerta del congelador

1. Con la herramienta para retirar (provista), quite la placa con la marca de la puerta del congelador levantando el lado derecho y despegando la placa de la puerta de derecha a izquierda.

NOTA: Para evitar rayar la puerta, no utilice ningún objeto metálico ni afilado para levantar la placa con la marca de la puerta.

2. Frote con los dedos un poco de detergente líquido para vajillas sobre los residuos de adhesivo. Enjuague la puerta con agua tibia y seque con un paño suave.
3. Corte la plantilla por las líneas punteadas que concuerdan con la forma de la placa con la marca.
4. Alinee los bordes de la plantilla con el lado y la parte superior de la puerta del congelador y pegue la plantilla a la puerta.

NOTA: Cuando la plantilla esté correctamente alineada, el orificio en la puerta donde estaba la manija se encontrará dentro del corte de la plantilla como se muestra.



5. Utilizando el corte como guía, presione la placa con la marca sobre la puerta del congelador asegurándose de que el orificio quede completamente cubierto.
6. Retire lentamente la plantilla.

Ajuste las puertas

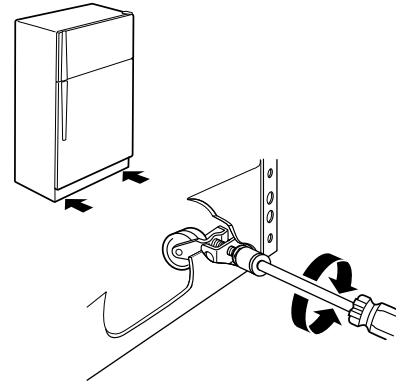
IMPORTANTE: Para cumplir con las pautas de American Disabilities Act (ADA) (Ley sobre Estadounidenses con Discapacidades), repliegue completamente los rodillos dentro de la carcasa para bajar el refrigerador.

Cierre de la puerta

Su refrigerador tiene dos rodillos frontales regulables – uno a la derecha y otro a la izquierda. Si su refrigerador parece inestable o usted quiere que las puertas se cierren con mayor facilidad, ajuste la inclinación del refrigerador usando las instrucciones siguientes:

1. Quite la rejilla de la base. Vea la ilustración Rejilla de la base en “Puertas del refrigerador”. Los dos tornillos niveladores son parte de los ensamblajes del rodillo frontal, que están en la base del refrigerador a cada lado.
2. Use una llave de cubo para ajustar los tornillos niveladores. Gire el tornillo nivelador hacia la derecha para levantar ese lado del refrigerador o gire el tornillo nivelador hacia la izquierda para bajar ese lado. Puede precisar darle varias vueltas a los tornillos niveladores para ajustar la inclinación del refrigerador.

NOTA: El hacer que alguien empuje la parte superior del refrigerador quita algo de peso de los tornillos niveladores y los rodillos. Esto facilita el ajuste de los tornillos.



3. Abra ambas puertas nuevamente y verifique que se cierran con la facilidad que usted desea. De lo contrario, incline el refrigerador ligeramente más hacia la parte posterior, girando ambos tornillos niveladores hacia la derecha. Puede tomar varias vueltas más.

NOTA: Para mantener nivelado el refrigerador, deberá girar ambos tornillos niveladores la misma cantidad de veces.

4. Vuelva a colocar la rejilla de la base.

Alineamiento de las puertas

Si el espacio entre sus puertas parece desigual, puede ajustarlo usando las instrucciones siguientes:

1. Dependiendo del modelo, quite la cubierta de la bisagra superior. Afloje los tornillos de la bisagra superior usando una llave de tuercas o de cubo de $\frac{5}{16}$ ".
2. Haga que una persona sostenga la puerta en su lugar o coloque entre las puertas algo que mantenga el espacio mientras usted ajusta los tornillos de la bisagra superior.
3. Vuelva a colocar la cubierta de la bisagra superior, si se quitó en el paso 1.

USO DE SU REFRIGERADOR

Uso de los controles

El refrigerador tiene dos controles para la temperatura. El control de Temperature (Temperatura) se encuentra en la parte superior del frente del compartimiento del refrigerador y el control de Air Flow (Flujo de aire) se encuentra en la pared trasera del compartimiento del congelador.

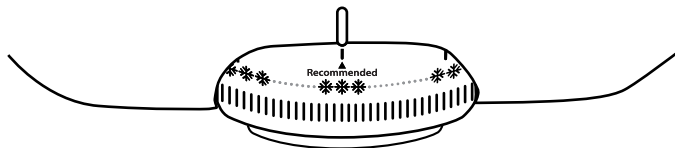
IMPORTANTE:

- El ajuste recomendado debe ser el correcto para un uso doméstico normal del refrigerador. Los controles están ajustados correctamente cuando la leche o los jugos están tan fríos como Ud. desea y cuando el helado tiene consistencia firme.
 - Espere 24 horas para que el refrigerador se enfríe completamente antes de agregar alimentos. Si agrega alimentos antes de que el refrigerador se haya enfriado por completo, sus alimentos podrían echarse a perder.
- NOTA:** Poner los controles de temperatura del refrigerador y del congelador en un ajuste más frío que el recomendado no enfriará más rápido los compartimientos.
- Si la temperatura está demasiado caliente o demasiado fría en el refrigerador o en el congelador, antes de regular los controles, revise primero los conductos de ventilación para cerciorarse de que no estén obstruidos.

Control de Temperature (Temperatura)

Para su conveniencia, el control de temperatura viene prefijado de fábrica. Cuando instale el refrigerador por primera vez, asegúrese de que el control esté todavía fijado en los ajustes recomendados, como se muestra.

Ajuste recomendado de "3 copos de nieve"



Encendido/Apagado del enfriamiento

- Mueva el control del cuadrante hacia la palabra OFF (Apagado). Para volver a encender el enfriamiento, mueva el control del cuadrante hacia el ajuste de temperatura deseado.

NOTA: No se enfriará ningún compartimiento cuando el control se fije en OFF.

Cómo ajustar el control de temperatura

Si necesita regular la temperatura en el compartimiento del refrigerador o del congelador, utilice como guía los ajustes que se enumeran en la tabla a continuación.

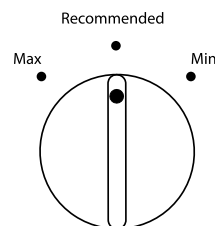
NOTA: No ajuste el control en más de un ajuste por vez, excepto cuando encienda el refrigerador. Espere 24 horas entre los ajustes para que se establezca la temperatura

- Mueva el cuadrante hacia el número deseado de copos de nieve, de 1 (menos frío) hasta 5 (más frío).

CONDICIÓN/MOTIVO:	AJUSTE:
REFRIGERADOR demasiado caliente	Control de TEMPERATURA un ajuste más alto
CONGELADOR demasiado caliente/muy poco hielo	Control del AIR FLOW o de TEMPERATURA un ajuste más alto
REFRIGERADOR demasiado frío	Control de TEMPERATURA un ajuste más bajo
CONGELADOR demasiado frío	Control del AIR FLOW o de TEMPERATURA un ajuste más bajo

Control del flujo de aire

El control de Airflow (Flujo de aire) regula la cantidad de aire que fluye entre los compartimientos del congelador y del refrigerador. Cuando enchufe por primera vez el refrigerador, gire el control del flujo de aire hacia el ajuste recomendado.



Regule el control del flujo de aire

Si desea aumentar temporalmente el flujo de aire frío hacia un compartimiento específico, regule el control.

- Max (máximo) - Aumenta el flujo de aire al congelador
- Min (mínimo) - Disminuye el flujo de aire al refrigerador

IMPORTANTE: Vuelva a poner el control del flujo de aire en el ajuste recomendado una vez que se logra el rendimiento esperado, para mantener el refrigerador funcionando con óptima eficacia.

CONDICIÓN/MOTIVO:	AJUSTE:
Se usa mucho hielo	Max (máximo)
Temperatura elevada en la habitación	Max (máximo) - Para mantener el ritmo de producción de hielo
Gran cantidad de alimentos	Min (mínimo) - Para enfriar rápidamente alimentos y bebidas

Fábrica de hielo (en algunos modelos - accesorio)

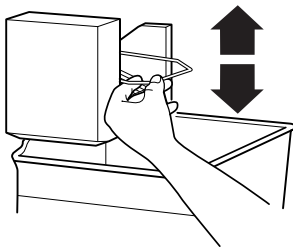
Para encender y apagar la fábrica de hielo

NOTA: No fuerce el brazo de control de alambre hacia arriba o hacia abajo.

- Para encender la fábrica de hielo, sencillamente baje el brazo de control de alambre.

NOTA: Su fábrica de hielo tiene un apagado automático. A medida que se produce el hielo, los cubitos de hielo llenarán el depósito para hielo y éstos levantarán el brazo de control de alambre a la posición de OFF (Apagado - brazo elevado).

- Para apagar la fábrica de hielo manualmente, levante el brazo de control de alambre a la posición de OFF (Apagado - brazo elevado) y escuche el chasquido para cerciorarse de que la fábrica de hielo no va a continuar funcionando.



NOTA: Apague la fábrica de hielo antes de sacar el depósito de hielo para servir hielo o limpiar el depósito. Esto evitará que los cubos de hielo se caigan de la fábrica de hielo dentro del compartimiento del congelador. Encienda la fábrica de hielo después de volver a colocar el depósito.

Ritmo de producción del hielo

- Producción NORMAL de hielo: La fábrica de hielo deberá producir aproximadamente entre 8 y 12 lotes de hielo durante un período de 24 horas. Si no se produce el hielo con suficiente rapidez, gire el control del congelador hacia un número más alto (más frío) en pasos de números intermedios. (Por ejemplo, si el control está en 3, póngalo entre 3 y 4). Espere 24 horas y, si es necesario, gradualmente gire el control del congelador al ajuste más alto, esperando 24 horas entre cada incremento.
- Producción MÁXIMA de hielo (en algunos modelos): La fábrica de hielo deberá producir aproximadamente entre 16 y 20 lotes de hielo durante un período de 24 horas. Si su refrigerador tiene la característica de producción máxima de hielo, empuje el interruptor a MAX.

Recuerde

- Deje transcurrir 24 horas para la producción del primer lote de hielo. Espere 3 días para que el depósito de hielo se llene por completo. Deshágase de los tres primeros lotes de hielo producidos.
- La calidad del hielo dependerá de la calidad del agua que suministre a su fábrica de hielo. Evite la conexión de su fábrica de hielo a un suministro de agua blanda. Los químicos para ablandar el agua (como la sal) pueden dañar ciertos componentes de la fábrica de hielo y producir un hielo de muy baja calidad. Si no se puede evitar el uso de un suministro de agua blanda, asegúrese de que el ablandador de agua esté funcionando correctamente y que goce de un buen mantenimiento.
- No guarde nada encima de la fábrica de hielo o en el depósito de hielo.

CARACTERÍSTICAS DEL REFRIGERADOR

Su modelo podrá contar con algunas o todas estas características.

Información importante para saber acerca de los estantes y tapas de vidrio:

No limpie los estantes y tapas de vidrio con agua caliente mientras están fríos. Los estantes y tapas pueden romperse si se exponen a cambios bruscos de temperatura o impacto, como sería un golpe brusco. El vidrio templado se ha diseñado para hacerse añicos. Esto es normal. Los estantes y tapas de vidrio son muy pesados. Use ambas manos al sacarlos para evitar que se caigan.

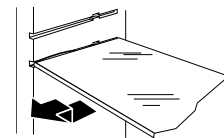
Estantes del refrigerador

Los estantes de su refrigerador son ajustables para adaptarlos a sus necesidades individuales de almacenamiento.

Si usted guarda alimentos similares juntos en el refrigerador y ajusta los estantes para que se adapten a las diferentes alturas de los artículos, le será muy fácil encontrar exactamente el artículo que desea. Asimismo, se reduce el tiempo que la puerta del refrigerador permanece abierta y se ahorra energía.

Para quitar y volver a colocar un estante:

1. Quite los artículos del estante.
2. Deslice el estante directamente hacia fuera, hasta el tope.
3. Según el modelo, levante la parte trasera o delantera del estante y traspase el tope. Deslice el resto del estante completamente hacia afuera.
4. Vuelva a colocar el estante deslizando la parte trasera a lo largo de la guía en la pared de la carcasa.
5. Deslice la parte delantera del estante en la guía. Asegúrese de deslizar completamente el estante hacia adentro.

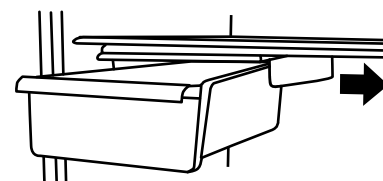


Cajón para carnes frías

Para quitar y volver a colocar el cajón para carnes frías:

1. Retire el cajón para carnes frías deslizándolo hacia afuera hasta el tope.
2. Levante la parte delantera del cajón para carnes frías con una mano mientras sostiene la base del cajón con la otra mano. Deslice el resto del cajón completamente hacia afuera.
3. Vuelva a colocar el cajón deslizándolo nuevamente hasta que pase el tope por completo.

NOTA: El cajón para carnes frías se mueve hacia los lados sobre el estante para permitir una posición flexible.



Guía para la conservación de carnes

Guarde la mayoría de las carnes en su envoltura original siempre y cuando sea hermética y a prueba de humedad. Vuelva a envolverlas si fuera necesario. Consulte el cuadro siguiente respecto a los períodos de conservación. Para guardar la carne por un tiempo más prolongado que los períodos indicados, congélela.

Pescado o mariscos frescos..... úselos el mismo día en que los compró

Pollo, carne molida, carnes diversas (hígado)de 1 a 2 días

Fiambres, filetes/asadosde 3 a 5 días

Carnes curadas.....de 7 a 10 días

Sobras - Cubra las sobras con envoltura de plástico, papel de aluminio o guárdelas en recipientes de plástico con tapas herméticas.

Cajón para verduras

Cajones para verduras

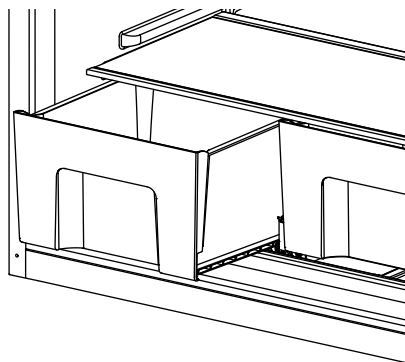
Para quitar y volver a colocar el cajón para verduras:

1. Deslice el cajón para verduras directamente hacia fuera, hasta el tope. Levante el frente y deslice el cajón hasta que salga.
2. Vuelva a colocar el cajón deslizándolo completamente pasando el tope.

Tapa del cajón para verduras

Para quitar y volver a colocar la tapa del cajón para verduras:

1. Quite el(los) cajón(cajones) para verduras.
2. Jale el vidrio en sentido recto hacia afuera.
3. Vuelva a colocar el vidrio empujándolo en sentido recto hacia adentro.



Control de humedad del cajón para verduras

Usted puede controlar el nivel de humedad en el cajón hermético antihumedad para verduras. Regule el control a cualquier ajuste entre LOW (Bajo) y HIGH (Alto).

LOW (abierto) deja que el aire húmedo salga del cajón para verduras, y es el más adecuado para conservar las frutas y verduras con cáscara.

- Frutas: lávelas, déjelas secar y guárdelas en el refrigerador en bolsas de plástico o en el cajón para verduras. No lave ni pele los frutos del bosque hasta el momento de usarlos. Separe y guarde los frutos del bosque en su recipiente original en el cajón para verduras, o guárdelos sin apretar en una bolsa de papel cerrada en un estante del refrigerador.
- Verduras con cáscaras: colóquelas en una bolsa o recipiente de plástico y guárdelas en el cajón para verduras.

HIGH (cerrado) mantiene el aire húmedo en el cajón para verduras, y es el más adecuado para conservar las verduras frescas de hoja.

- Verduras de hoja: lávelas con agua fría, escúrralas y corte o arranque las partes magulladas o decoloradas. Colóquelas en una bolsa o recipiente de plástico y guárdelas en el cajón para verduras.

CARACTERÍSTICAS DEL CONGELADOR

Su modelo podrá contar con algunas o todas estas características..

Información importante para saber acerca de los estantes y tapas de vidrio:

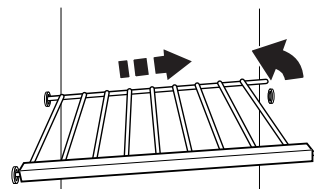
No limpie los estantes y tapas de vidrio con agua caliente mientras están fríos. Los estantes y tapas pueden romperse si se exponen a cambios bruscos de temperatura o impacto, como sería un golpe brusco. El vidrio templado se ha diseñado para hacerse añicos. Esto es normal. Los estantes y tapas de vidrio son muy pesados. Use ambas manos al sacarlos para evitar que se caigan.

Estante de alambre del congelador (en algunos modelos)

Para quitar y volver a colocar un estante de alambre:

1. Para quitarlo, levante todo el estante ligeramente muévelo completamente hacia la izquierda. Levante el lado derecho hacia arriba y fuera de los soportes del estante.
2. Vuelva a colocar el estante colocando el extremo izquierdo completamente dentro de los soportes del estante. Luego baje el extremo derecho del estante e introdúzcalo en los soportes del mismo.

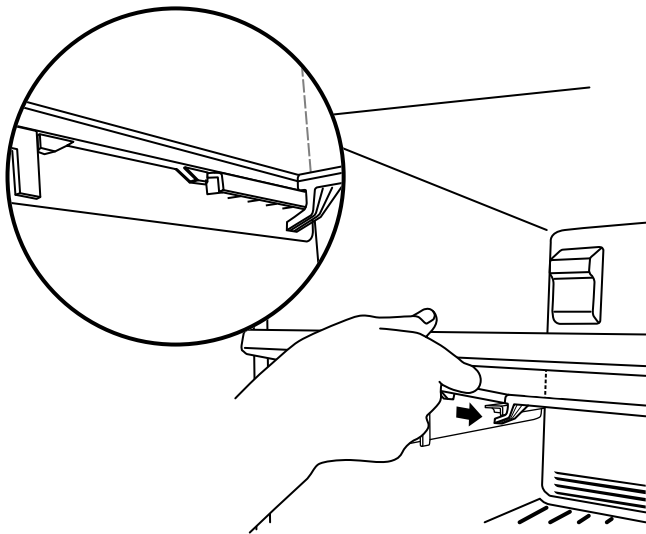
NOTA: El estante deberá bajarse ligeramente y encajar en su lugar. Si el estante no parece estable, asegúrese de que ambos extremos del mismo hayan encajado en sus soportes.



Estante de vidrio del congelador (en algunos modelos)

Para quitar y volver a colocar un estante de vidrio:

1. Levante el frente del estante para elevar las lengüetas hacia arriba y fuera de la abertura en cada guía del estante. Deslice el resto del estante completamente hacia afuera.
2. Vuelva a colocar el estante inclinando el extremo posterior hacia abajo para alinear la lengüeta posterior del estante bajo la guía en cada lado de congelador. Empuje con cuidado el estante dentro del congelador hasta que las dos lengüetas centrales del estante estén ubicadas dentro de la abertura de cada guía. Baje el estante hasta que quede sobre las guías del mismo.



Guía para la conservación de alimentos congelados

Los períodos de conservación variarán según la calidad y el tipo de alimentos, el tipo de empaque o envoltura empleada (deberá ser hermético y a prueba de humedad), y la temperatura de conservación. Selle herméticamente el paquete o envase para evitar la transferencia de sabor y olor en todo el producto. Es normal que haya cristales de hielo dentro de un paquete sellado. Esto simplemente indica que la humedad y el aire dentro del paquete se han condensado, creando cristales de hielo.

No coloque en el congelador más alimentos sin congelar de los que puedan congelarse en 24 horas (no más de 2 a 3 lb de alimentos por pie cúbico [907 a 1350 g por L] de espacio en el congelador). Deje suficiente espacio en el congelador para la circulación de aire alrededor de los paquetes. La puerta del congelador debe cerrarse herméticamente.

NOTA: Para obtener más información respecto a la preparación de alimentos para su congelación, consulte una guía de congeladores o un libro de cocina confiable.

CARACTERÍSTICAS DE LA PUERTA

Su modelo podrá contar con algunas o todas estas características.

Rieles de la puerta

Se pueden quitar los rieles de la puerta para facilitar la limpieza.

Rieles a presión de la puerta (en algunos modelos)

Para quitar y volver a colocar los rieles:

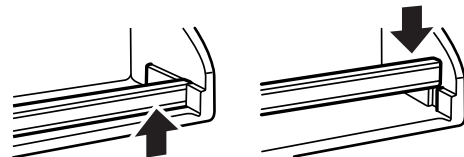
1. Según su modelo, quite los rieles empujando hacia adentro ligeramente en la parte frontal del soporte mientras jala hacia afuera la lengüeta interior. Repita estos pasos para el otro extremo.
2. Vuelva a colocar los rieles alineando los extremos de los soportes con los botones que están en los costados del revestimiento de la puerta. Encaje a presión el soporte y el ensamblaje en las lengüetas que están encima del estante, como se muestra.



Rieles empotrados de la puerta (en algunos modelos)

Para quitar y volver a colocar los rieles:

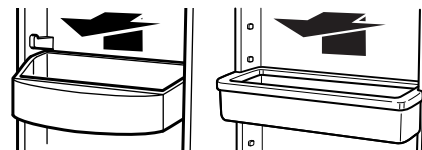
1. Quite los rieles jalando directamente hacia arriba cada extremo del riel.
2. Vuelva a colocar los rieles deslizando el riel del estante en las ranuras de la puerta y empujando el riel directamente hacia abajo hasta que se detenga.



Recipientes de la puerta (en algunos modelos)

Para quitar y volver a colocar los recipientes:

1. Quite el recipiente levantándolo y jalándolo directamente hacia afuera.
2. Vuelva a colocar el recipiente deslizándolo encima del soporte deseado y empujándolo hacia abajo hasta que se detenga.

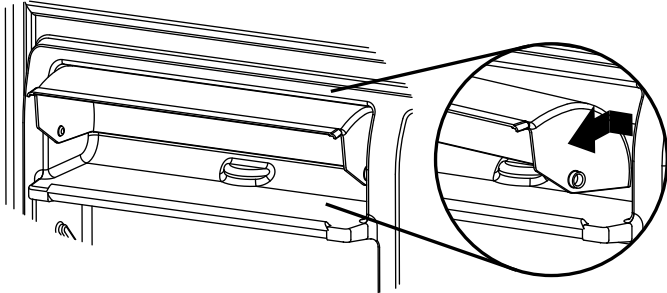


Compartimiento de uso general

Se puede quitar el compartimiento de uso general para facilitar la limpieza.

Cómo quitar y volver a colocar el compartimiento de uso general:

1. Quite el compartimiento de uso general aplicando presión contra uno de los lados mientras levanta el compartimiento de uso general y lo jala hacia afuera.
2. Vuelva a colocar el compartimiento de uso general posicionando un lado en el seguro y deslizándolo en el lado opuesto hasta que se detenga.



CUIDADO DE SU REFRIGERADOR

Limpieza

⚠️ ADVERTENCIA



Peligro de Explosión

Use un limpiador no inflamable.

No seguir esta instrucción puede ocasionar la muerte, explosión o incendio.

Tanto la sección del refrigerador como la del congelador se descongelan automáticamente. No obstante, limpie ambas secciones más o menos una vez al mes para evitar la acumulación de olores. Limpie los derrames de inmediato.

IMPORTANTE:

- Debido a que el aire circula entre ambas secciones, los olores que se formen en una sección pasarán a la otra. Para eliminar los olores, limpie completamente ambas secciones. Para evitar la transferencia de olores y la deshidratación de los alimentos, envuelva o tape bien los alimentos.
- Para los modelos de acero inoxidable, el acero inoxidable es resistente a la corrosión y no a prueba de corrosión. Para ayudar a evitar la corrosión del acero inoxidable, mantenga las superficies limpias, siguiendo las instrucciones de limpieza a continuación.

Para limpiar su refrigerador:

NOTA: No use productos de limpieza abrasivos o ásperos, como aerosoles para ventanas, productos de limpieza para fregar, líquidos inflamables, ácido muriático, ceras para limpieza, detergentes concentrados, blanqueadores o productos de limpieza que contengan productos derivados del petróleo en las superficies exteriores (puertas y carcasa), las partes de plástico, en el interior y en los revestimientos o juntas de las puertas. No use toallas de papel, estropajos para fregar u otros utensilios de limpieza ásperos.

1. Desenchufe el refrigerador o desconecte el suministro de energía.
2. Lave a mano, enjuague y seque todas las partes desmontables y las superficies interiores meticulosamente. Use una esponja limpia o un paño liso y un detergente suave en agua tibia.
3. Limpie las superficies exteriores.

Metal pintado: Limpie el exterior de metal pintado con un paño limpio y liso, o una esponja y un detergente suave en agua tibia. Enjuague las superficies con agua tibia limpia y séquelas inmediatamente para evitar las manchas de agua.

Acero inoxidable: Lave las superficies de acero inoxidable con un paño limpio y liso o una esponja y un detergente suave en agua tibia. Enjuague las superficies con agua tibia limpia y séquelas inmediatamente para evitar las manchas de agua.

NOTA: Cuando limpie el acero inoxidable, siempre talle en la dirección del hilo para evitar rayar a través del hilo.

4. No es necesaria una limpieza rutinaria del condensador en ambientes de funcionamiento normal en el hogar. Si el ambiente es particularmente grasoso o polvoriento, o si hay bastante tránsito de mascotas en el hogar, el condensador deberá limpiarse cada dos o tres meses para asegurar la máxima eficiencia.

Si necesita limpiar el condensador:

- Quite la rejilla de la base.
- Use una aspiradora con un cepillo suave para limpiar la rejilla, las áreas abiertas detrás de la rejilla y el área de la superficie frontal del condensador.
- Vuelva a colocar la rejilla de la base cuando termine.

5. Enchufe el refrigerador o reconecte el suministro de energía.

Cómo cambiar los focos

IMPORTANTE: Los focos en los compartimientos del refrigerador y del congelador de su nuevo refrigerador cuentan con tecnología LED. Si las luces no se encienden cuando se abre la puerta del refrigerador y/o congelador, llame para solicitar ayuda o servicio técnico. Consulte la garantía para ver los números de teléfono.

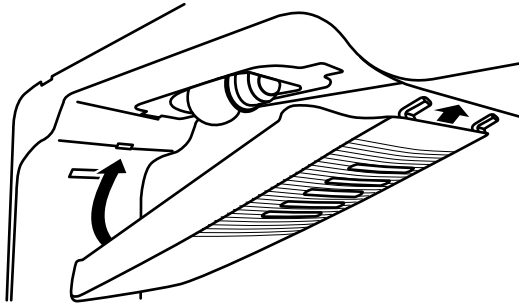
Luz del compartimiento del refrigerador

El foco del refrigerador está ubicado detrás del control.

1. Desenchufe el refrigerador o desconecte el suministro de energía.
2. Saque la pantalla de luz apretando los lados y jalándola directamente hacia abajo.

3. Quite el foco y reemplácelo con un foco para electrodomésticos del mismo tamaño y la misma forma.
 - Para el compartimiento del refrigerador: para reemplazar con un foco LED, ordene la pieza número W10565137 (3,6 vatios).

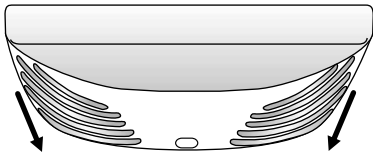
NOTA: Algunos focos LED de repuesto no se recomiendan para ambientes húmedos/mojados. Los compartimientos del refrigerador y del congelador se consideran ambientes húmedos/mojados. Si emplea una marca de focos LED, diferente de los focos recomendados, antes de instalarlo, lea y siga las instrucciones en el empaque del LED.
 - Si se emplea un foco incandescente para reemplazar un foco LED, use solamente los focos incandescentes para aparatos domésticos con un máximo de 60 vatios.
4. Vuelva a colocar la pantalla de luz.



5. Enchufe el refrigerador o reconecte el suministro de energía.

Luz del compartimiento del congelador (en algunos modelos)

1. Desenchufe el refrigerador o desconecte el suministro de energía.
2. Quite la pantalla de la luz (en algunos modelos).
 - Parte superior del compartimiento del congelador - Deslice la pantalla de la luz hacia la parte posterior del compartimiento para liberarla del ensamblaje de luz.



3. Quite el foco y reemplácelo con un foco para electrodomésticos del mismo tamaño y la misma forma.
 - Para el compartimiento del congelador: para reemplazar con un foco LED, ordene la pieza número W10574850 (2,0 vatios).

NOTA: Algunos focos LED de repuesto no se recomiendan para ambientes húmedos/mojados. Los compartimientos del refrigerador y del congelador se consideran ambientes húmedos/mojados. Si emplea una marca de focos LED, diferente de los focos recomendados, antes de instalarlo, lea y siga las instrucciones en el empaque del LED.
 - Si se emplea un foco incandescente para reemplazar un foco LED, use solamente los focos incandescentes para aparatos domésticos con un máximo de 25 vatios.
4. Vuelva a colocar la pantalla de luz.
5. Enchufe el refrigerador o reconecte el suministro de energía.

Cuidado durante las vacaciones y mudanzas

Vacaciones

Si Ud. decide dejar el refrigerador funcionando mientras está ausente:

1. Use todos los artículos perecederos y congele el resto.
2. Si su refrigerador tiene una fábrica de hielo automática y está conectado al suministro de agua de la casa, cierre el suministro de agua al refrigerador. Si no se cierra el suministro de agua, pueden ocurrir daños a la propiedad.
3. Si usted tiene una fábrica de hielo automática, apáguela.

NOTA: Levante el brazo de control de alambre a la posición de OFF (Apagado - hacia arriba).
4. Vacíe el depósito de hielo.

Si Ud. decide apagar el refrigerador antes de irse:

1. Saque toda la comida del refrigerador.
2. Si su refrigerador tiene fábrica de hielo automática:
 - Cierre el suministro de agua a la fábrica de hielo por lo menos un día antes.
 - Cuando el último lote de hielo caiga, levante el brazo de control de alambre a la posición OFF (Apagado - hacia arriba).
3. Apague el (los) control(es) de temperatura. Vea "Uso del (de los) control(es)".
4. Limpie el refrigerador, pásele un paño y séquelo bien.
5. Fije bloques de goma o de madera con cinta adhesiva a la parte superior de ambas puertas para que queden abiertas y el aire circule. Esto evita que se formen olores y que crezcan hongos.

Mudanza

Si Ud. muda su refrigerador a una casa nueva, siga los pasos a continuación para prepararse para la mudanza.

1. Si su refrigerador tiene fábrica de hielo automática:
 - Cierre el suministro de agua a la fábrica de hielo por lo menos un día antes.
 - Desconecte la tubería de agua que está atrás del refrigerador.
 - Cuando el último lote de hielo caiga, levante el brazo de control de alambre a la posición OFF (Apagado - hacia arriba).
2. Saque toda la comida del refrigerador y empaque todos los alimentos congelados en hielo seco.
3. Vacíe el depósito de hielo.
4. Apague el (los) control(es) de temperatura. Vea "Uso del (de los) control(es)".
5. Desenchufe el refrigerador.
6. Limpie, pásele un paño y seque bien.
7. Saque todas las partes desmontables, envuélvalas bien y asegúrelas con cinta adhesiva para que no se muevan ni se sacudan durante la mudanza.
8. Según el modelo, levante la parte delantera del refrigerador para que ruede con facilidad O BIEN, levante los tornillos niveladores para no rayar el piso. Vea "Ajuste la(s) puerta(s)" o "Cierre y alineamiento de las puertas".
9. Sostenga las puertas cerradas y el cable pegado a la parte posterior del refrigerador con cinta adhesiva.

Cuando llegue a la casa nueva, ponga todo de nuevo en su lugar y lea la sección "Instrucciones de instalación" para obtener instrucciones de preparación. Además, si su refrigerador tiene una fábrica de hielo automática, recuerde volver a conectar el suministro de agua al refrigerador.

SOLUCIÓN DE PROBLEMAS

Pruebe primero las soluciones sugeridas aquí. Si necesita asistencia adicional o más recomendaciones, para evitar posiblemente el costo de una visita de servicio técnico, consulte la página de la garantía de este manual y escanee el código con su dispositivo móvil o visite www.whirlpool.com/product_help. En Canadá, visite www.whirlpool.ca.

Contáctenos por correo electrónico con sus preguntas o dudas a la dirección que aparece a continuación:

En los EE.UU.:

Whirlpool Brand Home Appliances
Customer eXperience Center
553 Benson Road
Benton Harbor, MI 49022-2692

En Canadá:

Whirlpool Brand Home Appliances
Customer eXperience Centre
200 – 6750 Century Ave.
Mississauga, Ontario L5N 0B7

Por favor incluya en su correspondencia un número de teléfono en el que se le pueda localizar durante el día.

⚠ ADVERTENCIA



Peligro de Choque Eléctrico

Conecte a un contacto de pared de conexión a tierra de 3 terminales.

No quite la terminal de conexión a tierra.

No use un adaptador.

No use un cable eléctrico de extensión.

No seguir estas instrucciones puede ocasionar la muerte, incendio o choque eléctrico.

⚠ ADVERTENCIA



Peligro de Explosión

Use un limpiador no inflamable.

No seguir esta instrucción puede ocasionar la muerte, explosión o incendio.

Si experimenta lo siguiente

Causas posibles y/o soluciones recomendadas

El refrigerador no funciona

- **No está conectado a un suministro eléctrico** - Enchufe el cable eléctrico en un contacto de 3 terminales con conexión a tierra. No use un cable eléctrico de extensión.
- **No hay electricidad en el contacto eléctrico** - Enchufe una lámpara para ver si funciona el contacto.
- **Hay un fusible de la casa fundido o se disparó el cortacircuitos** - Reemplace el fusible o reconecte el cortacircuitos. Si el problema continúa, contacte a un electricista.
- **El control no está encendido** - Encienda el control del refrigerador.
- **Nueva instalación** - Deje transcurrir 24 horas después de la instalación para que el refrigerador se enfríe por completo.
NOTA: El ajustar el (los) control(es) de temperatura hacia la posición más fría no hará que el refrigerador enfríe más rápido.

El motor parece funcionar excesivamente

Es posible que su nuevo refrigerador funcione por más tiempo que el anterior. Los refrigeradores con mejor ahorro de energía funcionan por más tiempo a velocidades más bajas, para mayor eficiencia energética. Es posible que el refrigerador funcione por más tiempo si la habitación está caliente, si se ha agregado una gran cantidad de alimentos, si se abre la puerta con frecuencia o si se ha dejado la misma abierta.

Si experimenta lo siguiente	Causas posibles y/o soluciones recomendadas
El refrigerador es ruidoso	<p>El ruido del refrigerador se ha ido reduciendo a lo largo de los años. Debido a esta reducción en el ruido de funcionamiento, es posible que note ruidos extraños que son normales. A continuación se enumeran algunos sonidos normales con una explicación:</p> <ul style="list-style-type: none"> ■ Zumbido - se escucha cuando la válvula de agua se abre para llenar la fábrica de hielo ■ Chasquido/Ruido seco - Válvulas que se abren o se cierran ■ Sonido pulsante - los ventiladores/el compresor se están ajustando para obtener el máximo desempeño ■ Vibraciones - flujo de líquido refrigerante, tubería de agua o artículos guardados encima del refrigerador ■ Chisporroteos/Gorgoteos - agua goteando en el calentador durante el ciclo de descongelación ■ Estallido - contracción/expansión de las paredes interiores, especialmente durante el enfriamiento inicial ■ Agua corriendo - puede escucharse cuando el hielo se derrite durante el ciclo de descongelación y el agua corre hacia la bandeja recolectora ■ Chirridos/Crujidos - esto ocurre cuando el hielo es expulsado del molde de la fábrica de hielo
La puerta no cierra completamente	<ul style="list-style-type: none"> ■ La puerta queda abierta debido a un bloqueo - Aleje los paquetes de alimentos de la puerta. Empuje el recipiente o el estante nuevamente a la posición correcta. Asegúrese de empujar bien la tapa del compartimiento para verduras, de manera que la parte posterior descansa sobre los soportes.
Es difícil abrir la puerta	<ul style="list-style-type: none"> ■ Las juntas están sucias o pegajosas - Limpie las juntas y las superficies de contacto con jabón suave y agua tibia. Enjuague y seque con un paño suave.
La temperatura está demasiado elevada	<ul style="list-style-type: none"> ■ Nueva instalación - Deje transcurrir 24 horas después de la instalación para que el refrigerador se enfríe por completo. ■ Se abre(n) la(s) puerta(s) a menudo o no se cierra(n) por completo - Esto hace que entre aire tibio al refrigerador. Reduzca al mínimo el número de veces que abre la puerta y mantenga las puertas completamente cerradas. ■ Se ha agregado recientemente una gran cantidad de alimentos calientes - Deje que transcurran varias horas para que el refrigerador vuelva a la temperatura normal. ■ Revise que el (los) control(es) de temperatura se haya(n) fijado correctamente para las condiciones circundantes - Regule los controles a un ajuste más frío. Fíjese en la temperatura en 24 horas. Vea "Uso del (de los) control(es)".
Hay acumulación de humedad en el interior NOTA: Cierta acumulación de humedad es normal.	<ul style="list-style-type: none"> ■ Habitación húmeda - Esto contribuye a la acumulación de humedad en el refrigerador. ■ Se abre(n) la(s) puerta(s) a menudo o no se cierra(n) por completo - Esto hace que entre aire húmedo al refrigerador. Reduzca al mínimo el número de veces que abre la puerta y mantenga la puerta completamente cerrada.
La fábrica de hielo no produce hielo o no produce suficiente hielo (en algunos modelos)	<ul style="list-style-type: none"> ■ No se ha conectado la fábrica de hielo a un suministro de agua - Conecte el refrigerador al suministro de agua y abra completamente la válvula de cierre. ■ Un estrechamiento en la tubería puede reducir el flujo de agua - Enderece la tubería de suministro de agua. ■ No se ha encendido la fábrica de hielo - Asegúrese de que el brazo de cierre de alambre o el interruptor (dependiendo del modelo) esté en la posición de ON (Encendido). ■ Instalación reciente - Espere 24 horas después de la instalación de la fábrica de hielo para que empiece a producir hielo. Deje transcurrir 3 días para la producción total de hielo. ■ Se acaba de sacar una gran cantidad de hielo - Deje transcurrir suficiente tiempo para que la fábrica de hielo produzca más hielo. ■ Se trabó un cubo de hielo en el brazo eyector de la fábrica de hielo - Saque el hielo del brazo eyector con un utensilio de plástico. ■ Si se conecta un sistema de filtración por ósmosis inversa al suministro de agua, esto puede hacer que disminuya la presión de agua - Vea "Requisitos del suministro de agua".
Los cubos de hielo son huecos o pequeños (en algunos modelos) NOTA: Esto es una indicación de baja presión de agua.	<ul style="list-style-type: none"> ■ La válvula de agua no está abierta por completo - Abra completamente la válvula de cierre de agua. ■ Un estrechamiento en la tubería puede reducir el flujo de agua - Enderece la tubería de suministro de agua. ■ Si se conecta un sistema de filtración por ósmosis inversa al suministro de agua, esto puede hacer que disminuya la presión de agua - Vea "Requisitos del suministro de agua". ■ Si aún tiene preguntas acerca de la presión de agua, llame a un plomero competente autorizado.

Si experimenta lo siguiente**Causas posibles y/o soluciones recomendadas**

El hielo tiene mal sabor, mal olor o un color grisáceo (en algunos modelos)

- **Las conexiones nuevas de plomería pueden producir hielo descolorido o de mal sabor** - Deseche el hielo y lave el depósito de hielo. Deje que transcurran 24 horas para que la fábrica de hielo haga hielo nuevo y descarte las 3 primeras tandas de hielo producidas.
 - **Si se ha guardado el hielo por un tiempo muy prolongado, puede adquirir un mal gusto** - Deseche el hielo. Lave el recipiente de hielo. Deje transcurrir 24 horas para que la fábrica de hielo haga hielo nuevo.
 - **Se está pasando el olor de los alimentos al hielo** - Use recipientes herméticos contra humedad para almacenar comida.
 - **El agua contiene minerales (como el azufre)** - Podría ser necesario instalar un filtro de agua para eliminar los minerales.
-

ACCESORIOS

Los siguientes accesorios están disponibles para su refrigerador. Para hacer un pedido, contáctenos y pida los números de pieza.

En los EE.UU., visite nuestra página de internet, www.whirlpool.com/accessories o llame al **1-800-901-2042**.

En Canadá, visite nuestra página de internet, www.whirlpoolparts.ca o llame al **1-800-807-6777**.

Limpiador de acero inoxidable affresh®:

En EE.UU., pida la pieza N° W10355016

En Canadá, pida la pieza N° W10355016B

Toallitas húmedas para acero inoxidable affresh®:

En EE.UU., pida la pieza N° W10355049

En Canadá, pida la pieza N° W10355049B

Limpiador para cocina y electrodomésticos affresh®:

En EE.UU., pida la pieza N° W10355010

En Canadá, pida la pieza N° W10355010B

GARANTÍA LIMITADA DE LOS ELECTRODOMÉSTICOS PRINCIPALES DE WHIRLPOOL®

ADJUNTE SU RECIBO AQUÍ. SE REQUIERE LA PRUEBA DE COMPRA PARA OBTENER SERVICIO BAJO LA GARANTÍA. Tenga a mano la siguiente información cuando llame al Centro para la eXperiencia del cliente:

- Nombre, dirección y número de teléfono
- Número de modelo y de serie
- Una descripción clara y detallada del problema
- Prueba de compra incluido el nombre y la dirección del distribuidor o vendedor

SI NECESITA SERVICIO TÉCNICO:

1. Antes de contactarnos para obtener servicio, determine si el producto requiere reparación. Algunas consultas pueden atenderse sin servicio técnico. Tómese unos minutos para revisar la sección de Solución de problemas o Problemas y soluciones del Manual de uso y cuidado, escanee el código QR que se encuentra a la derecha para acceder a los recursos adicionales o visite www.whirlpool.com/product_help.
2. Todos los servicios bajo la garantía los brindan exclusivamente Prestadores autorizados de servicio de Whirlpool. Para EE.UU. y Canadá, dirija todas las solicitudes de servicio bajo la garantía a:

Centro para la eXperiencia del cliente de Whirlpool

En EE.UU., llame al 1-800-253-1301. En Canadá, llame al 1-800-807-6777.

Si usted se encuentra fuera de los cincuenta Estados Unidos o Canadá, póngase en contacto con su distribuidor autorizado de Whirlpool para determinar si corresponde otra garantía.



www.whirlpool.com/product_help

GARANTÍA LIMITADA DE UN AÑO

LO QUE ESTÁ CUBIERTO

Durante un año a partir de la fecha de compra, siempre y cuando este electrodoméstico principal haya sido instalado, mantenido y operado según las instrucciones adjuntas o provistas con el producto, Whirlpool Corporation o Whirlpool Canada LP (en lo sucesivo denominado "Whirlpool") se hará cargo del costo de las piezas especificadas de fábrica y del trabajo de reparación para corregir defectos en los materiales o en la mano de obra existentes en el momento de la compra de este electrodoméstico principal o, a su sola discreción, reemplazará el producto. En el caso de reemplazar el producto, su electrodoméstico estará cubierto por la garantía por el tiempo restante del período de garantía de la unidad original.

SU ÚNICO Y EXCLUSIVO RECURSO SEGÚN LOS TÉRMINOS DE ESTA GARANTÍA LIMITADA SERÁ EL DE REPARAR EL PRODUCTO SEGÚN SE ESTIPULA EN LA PRESENTE. El servicio deberá ser suministrado por una compañía de servicio designada por Whirlpool. Esta garantía limitada es válida solamente en Estados Unidos o en Canadá y se aplica solamente cuando el electrodoméstico principal se use en el país en el que se ha comprado. Esta garantía limitada entrará en vigor a partir de la fecha de la compra del consumidor original. Se requiere una prueba de la fecha de compra original para obtener servicio bajo esta garantía limitada.

LO QUE NO ESTÁ CUBIERTO

1. Uso comercial, no residencial o familiar múltiple o uso diferente del indicado en las instrucciones del usuario, del operador o de instalación publicadas.
2. Instrucción a domicilio sobre cómo usar el producto.
3. Servicio para corregir el mantenimiento o la instalación incorrecta del producto, la instalación que no esté de acuerdo con los códigos eléctricos o de plomería o corrección de plomería o instalación eléctrica doméstica (por ejemplo, instalación eléctrica, fusibles o mangueras de entrada de agua del hogar).
4. Piezas de consumo (por ejemplo, focos de luz, baterías, filtros de agua o de aire, soluciones de conservación, etc.).
5. Conversión del producto de gas natural o gas L.P.
6. Daño causado por accidente, uso indebido, abuso, incendio, inundación, actos fortuitos o el empleo de productos no aprobados por Whirlpool.
7. Reparaciones a piezas o sistemas para corregir el daño o los defectos del producto a causa de reparaciones por servicio no autorizado, alteraciones o modificaciones en el electrodoméstico.
8. Daños estéticos, incluyendo rayaduras, abolladuras, desportilladuras u otro daño al acabado del electrodoméstico a menos que el mismo sea debido a defectos en los materiales o la mano de obra y se le informe a Whirlpool en un lapso de 30 días.
9. Decoloración, herrumbre u oxidación de las superficies producto de entornos corrosivos o cáusticos que incluyen, entre otras cosas, altas concentraciones de sal, humedad elevada o exposición a productos químicos.
10. Pérdida de comida o medicamentos debido a la falla del producto.
11. Recogida o entrega. Este producto está destinado para ser reparado en su hogar.
12. Gastos de viaje o de transporte para prestar servicio en lugares remotos en los cuales no haya disponible un técnico de servicio autorizado por Whirlpool.
13. Remoción o reinstalación de electrodomésticos en lugares inaccesibles o dispositivos empotrados (por ejemplo, adornos, paneles decorativos, pisos, armarios, islas, mostradores, paredes, etc.) que interfieran con el servicio, la remoción o el reemplazo del producto.
14. Servicio técnico o piezas para electrodomésticos con números de serie/modelo originales removidos, alterados o no identificados con facilidad.

El costo de la reparación o del reemplazo bajo estas circunstancias excluidas correrá por cuenta del cliente.

EXCLUSIÓN DE GARANTÍAS IMPLÍCITAS

LAS GARANTÍAS IMPLÍCITAS, INCLUYENDO CUALQUIER GARANTÍA IMPLÍCITA DE COMERCIABILIDAD O GARANTÍA IMPLÍCITA DE CAPACIDAD PARA UN PROPÓSITO PARTICULAR, SERÁN LIMITADAS A UN AÑO O AL PERÍODO MÁS CORTO PERMITIDO POR LEY. Algunos estados y provincias no permiten la limitación de la duración de las garantías implícitas de comerciabilidad o capacidad, de modo que la limitación arriba indicada quizá no le corresponda. Esta garantía le otorga derechos legales específicos y es posible que usted tenga también otros derechos que varían de un estado a otro o de una provincia a otra.

EXCLUSIÓN DE DECLARACIONES FUERA DE LA GARANTÍA

Whirlpool no hace declaraciones acerca de la calidad, durabilidad o necesidad de servicio técnico o reparación de este electrodoméstico principal aparte de las declaraciones incluidas en esta garantía. Si usted desea una garantía con una duración más prolongada o más completa que la garantía limitada que se incluye con este electrodoméstico principal, deberá dirigirse a Whirlpool o a su distribuidor acerca de la compra de una garantía extendida.

LIMITACIÓN DE RECURSOS; EXCLUSIÓN DE DAÑOS INCIDENTALES Y CONSECUENTES

SU ÚNICO Y EXCLUSIVO RECURSO SEGÚN LOS TÉRMINOS DE ESTA GARANTÍA LIMITADA SERÁ EL DE REPARAR EL PRODUCTO SEGÚN SE ESTIPULA EN LA PRESENTE. WHIRLPOOL NO SE RESPONSABILIZARÁ POR DAÑOS INCIDENTALES O CONSECUENTES. Algunos estados y provincias no permiten la exclusión o limitación de daños incidentales o consecuentes, de modo que estas limitaciones y exclusiones quizá no le correspondan. Esta garantía le otorga derechos legales específicos y es posible que usted tenga también otros derechos que varían de un estado a otro o de una provincia a otra.



INSTRUCTIONS D'UTILISATION DU RÉFRIGÉRATEUR

Nous vous REMERCIONS d'avoir acheté ce produit de haute qualité. Enregistrer votre nouveau réfrigérateur sur le site internet www.whirlpool.ca.

Pour référence ultérieure, consigner par écrit les numéros de modèle et de série de votre produit. Ceux-ci sont situés sur la paroi interne du compartiment de réfrigération.

Numéro de modèle _____ Numéro de série _____

SÉCURITÉ DU RÉFRIGÉRATEUR

Votre sécurité et celle des autres est très importante.

Nous donnons de nombreux messages de sécurité importants dans ce manuel et sur votre appareil ménager. Assurez-vous de toujours lire tous les messages de sécurité et de vous y conformer.



Voici le symbole d'alerte de sécurité.

Ce symbole d'alerte de sécurité vous signale les dangers potentiels de décès et de blessures graves à vous et à d'autres.

Tous les messages de sécurité suivront le symbole d'alerte de sécurité et le mot "DANGER" ou "AVERTISSEMENT". Ces mots signifient :

⚠ DANGER

Risque possible de décès ou de blessure grave si vous ne suivez pas immédiatement les instructions.

⚠ AVERTISSEMENT

Risque possible de décès ou de blessure grave si vous ne suivez pas les instructions.

Tous les messages de sécurité vous diront quel est le danger potentiel et vous disent comment réduire le risque de blessure et ce qui peut se produire en cas de non-respect des instructions.

IMPORTANTES INSTRUCTIONS DE SÉCURITÉ

AVERTISSEMENT : Pour réduire les risques d'incendie, de choc électrique ou des blessures lors de l'utilisation du réfrigérateur, prendre quelques précautions fondamentales, y compris les suivantes :

- Brancher l'appareil sur une prise à 3 alvéoles reliée à la terre.
- Ne pas enlever la broche de liaison à la terre.
- Ne pas utiliser un adaptateur.
- Ne pas utiliser un câble de rallonge.
- Débrancher la source de courant électrique avant l'entretien.
- Replacer pièces et panneaux avant de faire la remise en marche.
- Enlever les portes de votre vieux réfrigérateur.
- Utiliser un produit de nettoyage ininflammable.
- Garder les matériaux et les vapeurs inflammables, telle que l'essence, loin du réfrigérateur.
- Utiliser deux ou plus de personnes pour déplacer et installer le réfrigérateur.
- Débrancher le réfrigérateur avant l'installation de la machine à glaçons (seulement pour modèles prêts à recevoir une machine à glaçons).

CONSERVEZ CES INSTRUCTIONS

Avertissements de la proposition 65 de l'État de Californie :

AVERTISSEMENT : Ce produit contient au moins un produit chimique connu par l'État de Californie pour être à l'origine de cancers.

AVERTISSEMENT : Ce produit contient au moins un produit chimique connu par l'État de Californie pour être à l'origine de malformations et autres déficiences de naissance.

Mise au rebut appropriée de votre vieux réfrigérateur

⚠ AVERTISSEMENT

Risque de suffoquer

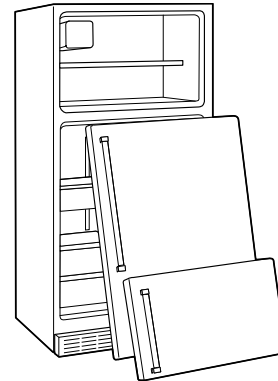
Enlever les portes de votre vieux réfrigérateur.

Le non-respect de cette instruction peut causer un décès ou des lésions cérébrales.

IMPORTANT : L'emprisonnement et l'étouffement des enfants ne sont pas un problème du passé. Les réfrigérateurs jetés ou abandonnés sont encore dangereux, même s'ils sont laissés abandonnés pendant "quelques jours seulement". Si vous vous débarrassez de votre vieux réfrigérateur, veuillez suivre les instructions suivantes pour aider à éviter les accidents.

Avant de jeter votre vieux réfrigérateur ou congélateur :

- Enlever les portes.
- Laisser les tablettes en place de sorte que les enfants ne puissent pas y pénétrer facilement.



Renseignements importants à propos de la mise au rebut des fluides réfrigérants :

Mettre le réfrigérateur au rebut conformément à la réglementation fédérale et locale. Les fluides réfrigérants doivent être évacués par un technicien certifié et agréé par l'EPA conformément aux procédures établies.

INSTRUCTIONS D'INSTALLATION

Déballage du réfrigérateur

⚠ AVERTISSEMENT

Risque du poids excessif

Utiliser deux ou plus de personnes pour déplacer et installer le réfrigérateur.

Le non-respect de cette instruction peut causer une blessure au dos ou d'autre blessure.

IMPORTANT : Ne pas enlever l'encart en mousse blanche du retour d'air situé derrière le panneau de commande au plafond du réfrigérateur (sur certains modèles). L'encart fait partie du réfrigérateur et n'est pas un matériau d'emballage. Si l'encart est enlevé, de la glace peut se former en provenance du congélateur et causer la formation de glaçons.

Déplacement de votre réfrigérateur :

Votre réfrigérateur est lourd. Lors du déplacement de votre réfrigérateur pour le nettoyage ou un entretien ou réparation, veiller à recouvrir le plancher avec du carton ou un panneau de fibres dures pour éviter qu'il ne subisse tout dommage. Toujours tirer le réfrigérateur tout droit lors de son déplacement. Ne pas incliner le réfrigérateur d'un côté ou de l'autre ni le "faire marcher" en essayant de le déplacer car le plancher pourrait être endommagé.

Enlèvement des matériaux d'emballage

- Enlever le ruban adhésif et la colle des surfaces du réfrigérateur avant de le mettre en marche. Frotter une petite quantité de savon liquide pour la vaisselle sur l'adhésif avec les doigts. Rincer à l'eau tiède et essuyer.

REMARQUE : Ne pas utiliser d'instruments coupants, d'alcool à friction, de liquides inflammables ou de nettoyants abrasifs pour enlever le ruban adhésif ou la colle. Ces produits peuvent endommager la surface de votre réfrigérateur. Pour plus de renseignements, voir "Sécurité du réfrigérateur".

- Jeter ou recycler tous les matériaux d'emballage.

Nettoyage avant l'utilisation

Après avoir enlevé tous les matériaux d'emballage, nettoyer l'intérieur du réfrigérateur avant de l'utiliser. Voir les instructions de nettoyage dans "Entretien du réfrigérateur".

Importants renseignements à savoir au sujet des tablettes et des couvercles en verre :

Ne pas nettoyer les tablettes ou couvercles en verre avec de l'eau tiède quand ils sont froids. Les tablettes et les couvercles peuvent se briser s'ils sont exposés à des changements soudains de température ou à un impact tel que coup brusque. Le verre trempé est conçu pour éclater en d'innombrables pièces minuscules. Ceci est normal. Les tablettes et les couvercles en verre sont lourds. Les saisir à deux mains lors de leur dépose afin d'éviter de les faire tomber.

Exigences d'emplacement

⚠ AVERTISSEMENT



Risque d'explosion

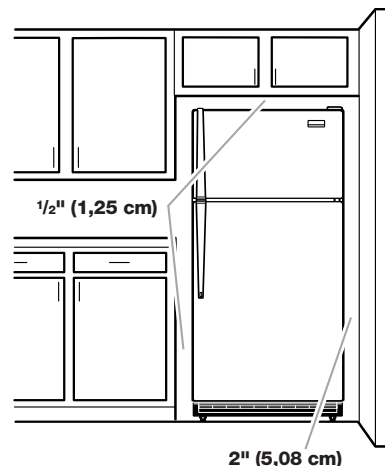
Garder les matériaux et les vapeurs inflammables, telle que l'essence, loin du réfrigérateur.

Le non-respect de cette instruction peut causer un décès, une explosion ou un incendie.

IMPORTANT : Ce réfrigérateur est conçu pour un usage domestique, à l'intérieur uniquement.

Pour obtenir une aération appropriée pour votre réfrigérateur, laisser un espace de 1/2" (1,25 cm) de chaque côté et au sommet. Laisser un espace de 1" (2,54 cm) derrière le réfrigérateur. Si votre réfrigérateur comporte une machine à glaçons, s'assurer qu'un espace additionnel est prévu à l'arrière pour permettre les raccordements des conduits d'eau. En cas d'installation du réfrigérateur près d'un mur fixe, laisser un minimum de 2" (5,08 cm) du côté de la charnière (certains modèles nécessitent davantage d'espace) pour permettre à la porte de s'ouvrir sans obstruction.

REMARQUE : Ce réfrigérateur est conçu pour être utilisé dans un endroit où la température est comprise entre un minimum de 55°F (13°C) et un maximum de 110°F (43°C). La plage de température ambiante idéale pour une performance optimale est comprise entre 60°F (15°C) et 90°F (32°C). Respecter cette plage de température permet aussi de réduire la consommation d'électricité et d'optimiser l'efficacité du refroidissement. Il est recommandé de ne pas installer le réfrigérateur près d'une quelconque source de chaleur, tel un four ou un radiateur.



Spécifications électriques

⚠ AVERTISSEMENT



Risque de choc électrique

Brancher sur une prise à 3 alvéoles reliée à la terre.

Ne pas enlever la broche de liaison à la terre.

Ne pas utiliser un adaptateur.

Ne pas utiliser un câble de rallonge.

Le non-respect de ces instructions peut causer un décès, un incendie ou un choc électrique.

Avant de placer le réfrigérateur à son emplacement final, il est important de vous assurer d'avoir la connexion électrique appropriée.

Méthode recommandée de mise à la terre

Une source d'alimentation de 115 volts, 60 Hz, type 15 ou 20 ampères CA seulement, protégée par fusible et adéquatement mise à la terre, est nécessaire. Il est recommandé d'utiliser un circuit distinct pour alimenter uniquement votre réfrigérateur. Utiliser une prise murale qui ne peut pas être mise hors circuit à l'aide d'un commutateur. Ne pas utiliser un câble de rallonge.

REMARQUE : Avant d'installer ou de nettoyer un quelconque élément, ou de retirer une ampoule d'éclairage, désactiver le refroidissement ou placer la commande (du thermostat, réfrigérateur ou congélateur selon le modèle) à OFF (arrêt) et débrancher ensuite le réfrigérateur de la source d'alimentation électrique. Lorsque vous avez terminé, rebrancher le réfrigérateur à la source d'alimentation électrique et réactiver le refroidissement ou replacer la commande (du thermostat, réfrigérateur ou congélateur selon le modèle) au réglage désiré. Voir "Utilisation des commandes" dans les instructions d'utilisation, le guide d'utilisation, ou le guide d'utilisation et d'entretien.

Spécifications de l'alimentation en eau

Lire attentivement toutes les instructions avant de commencer.

Rassembler les outils et pièces nécessaires avant de commencer l'installation. Lire et suivre les instructions fournies avec les outils indiqués ici.

OUTILLAGE NÉCESSAIRE : Tournevis à lame plate, clés plates de 7/16" et 1/2" ou deux clés à molette réglables, tourne-écrou et foret de 1/4", perceuse sans fil.

IMPORTANT :

- Si on doit utiliser le réfrigérateur avant qu'il soit raccordé à la canalisation d'eau, placer la commande de la machine à glaçons à la position OFF (arrêt).
- Toutes les installations doivent être conformes aux exigences des codes locaux de plomberie.
- Utiliser un tube en cuivre et vérifier s'il y a des fuites. Installer les tubes en cuivre seulement à des endroits où la température se maintient au-dessus du point de congélation.

REMARQUE : Votre marchand de réfrigérateurs présente une trousse disponible avec un robinet d'arrêt à étrier de 1/4" (6,35 mm), un raccord et un tube en cuivre. Avant l'achat, s'assurer que le robinet d'arrêt à étrier est conforme à vos codes locaux de plomberie. Ne pas employer de robinet d'arrêt à étrier de 3/16" (4,76 mm) ou de type à percer, ce qui réduit le débit d'eau et cause une obstruction plus facilement.

Pression de l'eau

IMPORTANT : Une alimentation en eau froide avec une pression comprise entre 30 et 120 lb/po² (207 et 827 kPa) est nécessaire pour faire fonctionner la machine à glaçons.

REMARQUE : Si la pression en eau est inférieure aux critères minimaux, entraîner la formation de glaçons creux ou de forme irrégulière.

Si vous avez des questions au sujet de la pression de votre eau, faire appel à un plombier qualifié agréé.

Alimentation en eau par osmose inverse

Si un système de filtration de l'eau par osmose inverse est raccordé à votre alimentation en eau froide, la pression de l'eau au système doit être d'un minimum de 40 à 60 lb/po² (276 à 414 kPa).

Si la machine à glaçons ne distribue toujours pas d'eau au débit approprié :

- Vérifier pour voir si le filtre du système d'osmose inverse est bloqué, et le remplacer si nécessaire.
- Laisser le réservoir du système d'osmose inverse se remplir après une utilisation intense.

Raccordement de la canalisation d'eau

Lire toutes les instructions avant de commencer.

IMPORTANT : Si on doit mettre le réfrigérateur sous tension avant qu'il soit raccordé à la canalisation d'eau, placer la commande de la machine à glaçons à la position OFF (arrêt).

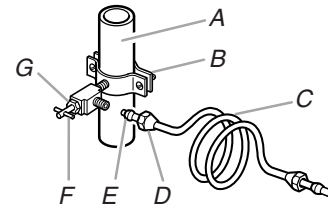
Raccordement à une canalisation d'eau

1. Débrancher le réfrigérateur ou déconnecter la source de courant électrique.
2. FERMER le robinet principal d'arrivée d'eau. OUVRIR le robinet de puisage le plus proche pendant une période suffisante pour que la canalisation d'eau se vide.

3. Trouver une canalisation d'eau froide verticale de 1/2" à 1 1/4" (1,25 cm à 3,18 cm) près du réfrigérateur.

IMPORTANT :

- Assurez-vous qu'il s'agit d'un conduit d'eau froide.
 - Un conduit horizontal fonctionnera, mais percer par le dessus de la canalisation et non pas par le dessous. Ainsi, l'eau ne risquera pas d'arroser la perceuse. Ceci empêche également les sédiments qu'on trouve normalement dans l'eau de s'accumuler dans le robinet.
4. Pour déterminer la longueur du tube en cuivre, il faut mesurer la distance entre le point de connexion inférieur gauche à l'arrière du réfrigérateur et la canalisation d'eau. Ajouter une longueur de 7 pi (2,1 m) pour permettre le déplacement du réfrigérateur pour le nettoyage. Utiliser un tube en cuivre de 1/4" (6,35 mm) de diamètre extérieur. Veiller à ce que le tube soit coupé d'équerre aux deux extrémités.
 5. À l'aide d'une perceuse sans fil, percer un trou de 1/4" dans le tuyau de canalisation d'eau froide choisi.



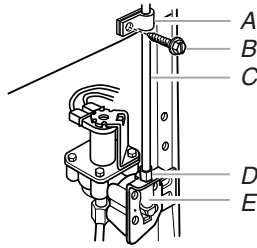
- A. Canalisation d'eau froide E. Bague de compression
B. Bride de tuyau F. Robinet d'arrêt
C. Tube en cuivre G. Écrou de serrage
D. Écrou de compression

6. Fixer le robinet d'arrêt sur la canalisation d'eau froide avec la bride de tuyau. Vérifier que le raccord de sortie du robinet est bien engagé dans le trou de 1/4" percé dans la canalisation et que la rondelle d'étanchéité est placée sous la bride de tuyau. Serrer l'écrou de serrage. Serrer lentement et uniformément les vis de la bride de tuyau afin que la rondelle forme une jonction étanche. Ne pas serrer excessivement car ceci pourrait provoquer l'écrasement du tube en cuivre.
7. Enfiler l'écrou et la bague de compression du raccord sur le tube en cuivre comme on le voit sur l'illustration. Insérer l'extrémité du tube tout droit et aussi loin que possible dans l'ouverture de sortie du robinet. Visser l'écrou de compression sur l'ouverture de sortie avec une clé à molette. Ne pas serrer excessivement.
8. Placer le bout libre du tube dans un contenant ou évier et OUVRIR le robinet principal d'arrivée d'eau; laisser l'eau s'écouler par le tube jusqu'à ce que l'eau soit limpide. FERMER le robinet principal d'arrivée d'eau. Enrouler le tube en cuivre en spirale.

Raccordement au réfrigérateur

1. Débrancher le réfrigérateur ou déconnecter la source de courant électrique.
2. Connecter le tube en cuivre au robinet d'arrivée d'eau en utilisant un écrou et une bague de compression tel qu'illustré. Serrer l'écrou de compression. Ne pas serrer excessivement.
3. Utiliser la bride du tube à l'arrière du réfrigérateur pour fixer le tube au réfrigérateur tel qu'illustré. Ceci aide à éviter d'endommager le tube lorsque le réfrigérateur est poussé contre le mur.
4. OUVRIR le robinet d'arrêt.

- Inspecter pour rechercher les fuites. Serrer tous les raccords (y compris les raccordements de la valve d'entrée d'eau) ou les écrous qui coulent.



A. Bride de tube
B. Vis de bride de tube
C. Tube en cuivre
D. Écrou de compression
E. Valve d'entrée d'eau

- La machine à glaçons est équipée d'un filtre à eau incorporé. Si la qualité de l'eau distribuée localement nécessite un deuxième filtre à eau, l'installer dans la canalisation d'eau de 1/4" (6,35 mm) à l'une ou l'autre extrémité de la canalisation. On peut obtenir un tel filtre à eau chez le marchand d'appareils électroménagers le plus proche.

Achever l'installation

⚠ AVERTISSEMENT



Risque de choc électrique

- Brancher sur une prise à 3 alvéoles reliée à la terre.
- Ne pas enlever la broche de liaison à la terre.
- Ne pas utiliser un adaptateur.
- Ne pas utiliser un câble de rallonge.
- Le non-respect de ces instructions peut causer un décès, un incendie ou un choc électrique.

- Brancher sur une prise à 3 alvéoles reliée à la terre.

REMARQUE : Attendre 24 heures pour produire la première quantité de glaçons. Jeter les trois premières quantités de glaçons produites. Attendre 3 jours pour que le bac à glaçons se remplisse entièrement.

Portes du réfrigérateur

Outillage Nécessaire :

- Clé à douille avec douille hexagonale de 5/16"
- Clé plate de 5/16"
- Tournevis Phillips n° 2
- Couteau à mastic plat de 2"
- Tournevis à lame plate

IMPORTANT :

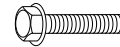
- Avant de commencer, tourner la commande du réfrigérateur à OFF (arrêt). Débrancher le réfrigérateur ou déconnecter la source de courant électrique.
- Retirer les aliments et tout balconnet de la porte du réfrigérateur.

- Si l'utilisateur souhaite uniquement enlever et réinstaller les portes, voir les sections "Démontage des portes et des charnières" et "Réinstallation des portes et des charnières".
- Selon le modèle, le réfrigérateur peut comporter des portes standard (**Style 1**) ou contour (**Style 2**). Pour inverser le sens d'ouverture de la porte, suivre les instructions concernant le style de porte adéquat.

REMARQUE : On peut acheter un ensemble d'inversion du sens d'ouverture qui comprend une nouvelle insigne de la marque ainsi que des bouchons d'obturation.

- Toutes les illustrations mentionnées dans les instructions suivantes sont incluses plus loin dans cette section après "Étapes finales".

Démontage - Portes et charnières



Vis de charnière à tête hexagonale de 5/16"

- Débrancher le réfrigérateur ou déconnecter la source de courant électrique.
- Fermer la porte du réfrigérateur; maintenir les deux portes fermées jusqu'au moment où on est prêt à les séparer de la caisse de l'appareil.
REMARQUE : Prévoir un support additionnel des portes pendant le déplacement des charnières. La force d'attraction des aimants des portes ne suffit pas à les maintenir en place.
- Enlever les pièces de la charnière supérieure - voir l'illustration de la charnière supérieure. Soulever la porte du congélateur pour la séparer de la caisse.
- Enlever les pièces de la charnière centrale - voir l'illustration de la charnière centrale. Soulever la porte du réfrigérateur pour la séparer de la caisse.
- Extraire doucement la grille de la base de la partie inférieure avant du réfrigérateur.
- Enlever les pièces de la charnière inférieure - voir l'illustration de la charnière inférieure.

Inversion des portes (facultatif)

IMPORTANT : Si l'on souhaite inverser la position des portes pour pouvoir les ouvrir dans la direction opposée, suivre les étapes suivantes. Si l'on ne souhaite pas inverser le sens d'ouverture des portes, voir "Réinstallation des portes et des charnières".

Style 1 - Modèles avec porte standard

Les illustrations suivent ces instructions.



Vis de butée de la porte



Bouchon obturateur de la poignée de la porte



Vis de scellement de la poignée de la porte



Bouchon d'obturation de charnière de porte



Vis de la poignée à tête plate



Bouchon d'obturation de charnière de caisse



Chapeau bombé



Rondelle de chapeau bombé

Caisse

1. Enlever les trois chapeaux bombés et les vis du côté poignée et les transférer du côté opposé. Voir l'illustration 1-1.
2. Enlever les bouchons d'obturation des trous de la charnière au sommet de la caisse; transférer ceux-ci dans les trous de charnière du côté opposé comme illustré. Voir l'illustration 1-2.

Porte du congélateur

1. Enlever le couvre-vis. Voir l'illustration 2.
2. Enlever la poignée de porte du congélateur tel qu'illustré. Conserver toutes les pièces ensemble. Voir l'illustration 2.
3. Enlever le bouchon d'obturation du trou de charnière de la porte du congélateur. Le transférer dans le trou de charnière du côté opposé tel qu'illustré. Voir l'illustration 3.
4. Enlever l'insigne de la marque à l'aide de l'outil en plastique (fourni). Le remplacer par l'insigne fourni dans l'ensemble d'inversion situé dans le bac à légumes. Pour le placer correctement, voir le gabarit de placement de l'insigne de la marque (en dernière page de ce manuel).

REMARQUES :

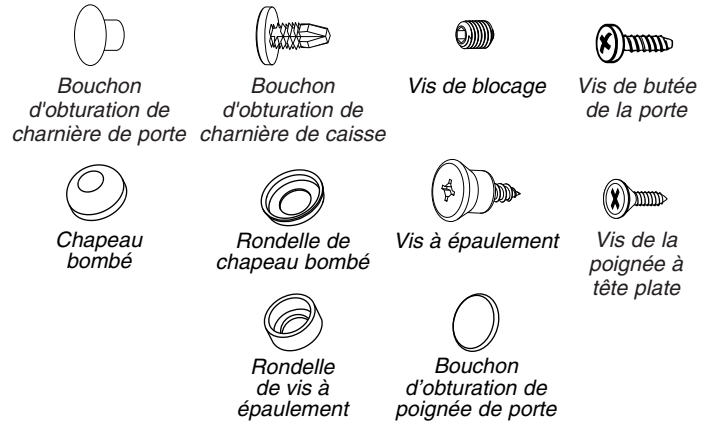
- Afin d'éviter d'érafler la finition, ne pas utiliser d'objet pointu ou métallique pour arracher l'insigne de la marque de la porte.
 - Frotter une petite quantité de savon liquide à vaisselle sur les résidus d'adhésif avec les doigts. Rincer la porte à l'eau tiède et sécher avec un chiffon doux.
5. Enlever la butée de porte. La transférer du côté opposé du réfrigérateur tel qu'illustré. Voir l'illustration 5.
 6. Positionner la poignée du congélateur du côté opposé de la porte du congélateur tel qu'illustré. Voir l'illustration 2. Insérer d'abord les deux vis du bas dans la poignée. Aligner la partie supérieure de la poignée et insérer la vis supérieure dans la poignée.
 7. Serrer toutes les vis. Conserver la porte à part jusqu'à la mise en place des charnières et de la porte du compartiment de réfrigération.
 8. Réinstaller le couvre-vis. Voir l'illustration 2.

Porte du réfrigérateur

1. Enlever le couvre-vis. Voir l'illustration 6.
2. Enlever la poignée du réfrigérateur tel qu'illustré. Conserver toutes les pièces ensemble. Voir l'illustration 6.
3. Enlever le bouchon d'obturation du trou de charnière de la porte du réfrigérateur. Le transférer dans le trou de charnière du côté opposé tel qu'illustré. Voir l'illustration 3.
4. Enlever les vis d'obturation de poignée de la porte. La transférer du côté opposé du réfrigérateur tel qu'illustré. Voir l'illustration 4.
5. Enlever les bouchons d'obturation de la poignée de porte et le jeter. Voir l'illustration 7. Les remplacer du côté opposé par les bouchons d'obturation de poignée de porte fournis dans l'ensemble d'inversion situé dans le bac à légumes.
6. Enlever la butée de porte. La transférer du côté opposé du réfrigérateur tel qu'illustré. Voir l'illustration 5.
7. Positionner la poignée du réfrigérateur du côté opposé de la porte du réfrigérateur tel qu'illustré. Voir l'illustration 6. Insérer d'abord les deux vis du haut dans la poignée. Aligner la partie inférieure de la poignée, puis visser la vis inférieure dans la poignée.
8. Serrer toutes les vis. Conserver la porte du réfrigérateur à part jusqu'à ce que la charnière inférieure soit installée sur le réfrigérateur.
9. Réinstaller le couvre-vis. Voir l'illustration 6.

Style 2 - Modèles avec porte contour

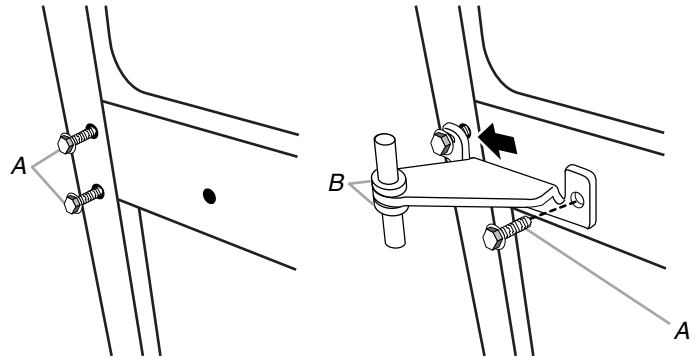
Les illustrations suivent ces instructions.



Caisse

1. Enlever les trois chapeaux bombés et les vis du côté poignée et les transférer du côté opposé. Voir l'illustration 1-1.
2. À l'aide de trois vis de charnière à tête hexagonale de $\frac{5}{16}$ " , insérer deux vis à moitié dans les trous en laissant suffisamment d'espace pour insérer la charnière centrale.
3. Faire glisser la charnière centrale de droite à gauche sur les vis, insérer la troisième vis et serrer complètement toutes les vis.

REMARQUE : S'assurer que les rondelles sont bien installées sur les axes supérieurs et inférieurs de la charnière centrale.



A. Vis de charnière à tête hexagonale de $\frac{5}{16}$ "
B. Rondelles

4. Enlever les bouchons d'obturation des trous de la charnière au sommet de la caisse; transférer ceux-ci dans les trous de charnière du côté opposé comme illustré. Voir l'illustration 1-2.

Porte du congélateur

1. Retirer la poignée du congélateur. Desserrer la vis de blocage située sur le côté de la poignée à l'aide d'une clé hexagonale de $\frac{1}{8}$ ". Tirer sur la poignée tout droit pour l'extraire de la porte. Conserver toutes les pièces ensemble. Voir l'illustration 2.
2. Enlever l'insigne de la marque à l'aide de l'outil en plastique (fourni). Le remplacer par l'insigne fourni dans l'ensemble d'inversion situé dans le bac à légumes. Pour le placer correctement, voir le gabarit de placement de l'insigne de la marque (en dernière page de ce manuel).

REMARQUES :

- Afin d'éviter d'érafler la finition, ne pas utiliser d'objet pointu ou métallique pour arracher l'insigne de la marque de la porte.
- Frotter une petite quantité de savon liquide à vaisselle sur les résidus d'adhésif avec les doigts. Rincer la porte à l'eau tiède et sécher avec un chiffon doux.

3. Enlever la butée de porte. La transférer du côté opposé du congélateur tel qu'illustré. Voir l'illustration 4.
4. Réinstaller la poignée du congélateur du côté opposé de la porte du congélateur tel qu'illustré. Voir l'illustration 2.
5. Serrer toutes les vis. Conserver la porte à part jusqu'à la mise en place des charnières et de la porte du compartiment de réfrigération.

Porte du réfrigérateur

1. Retirer la poignée de la porte du réfrigérateur. Desserrer la vis de blocage située sur le côté de la poignée à l'aide d'une clé hexagonale de 1/8". Tirer sur la poignée tout droit pour l'extraire de la porte. Conserver toutes les pièces ensemble. Voir l'illustration 6.
2. Enlever le bouchon d'obturation du trou de charnière de la porte du réfrigérateur. Le transférer dans le trou de charnière du côté opposé tel qu'illustré. Voir l'illustration 3.
3. Enlever le bouchon d'obturation du trou de la poignée and discard. Voir l'illustration 7. Le remplacer du côté opposé par le bouchon d'obturation de poignée de porte fourni dans l'ensemble d'inversion situé dans le bac à légumes.
4. Enlever la butée de porte. La transférer du côté opposé du réfrigérateur tel qu'illustré. Voir l'illustration 4.
5. Réinstaller la poignée du réfrigérateur du côté opposé de la porte du réfrigérateur tel qu'illustré. Voir l'illustration 6.
6. Serrer toutes les vis. Conserver la porte du réfrigérateur à part jusqu'à ce que la charnière inférieure soit installée sur le réfrigérateur.

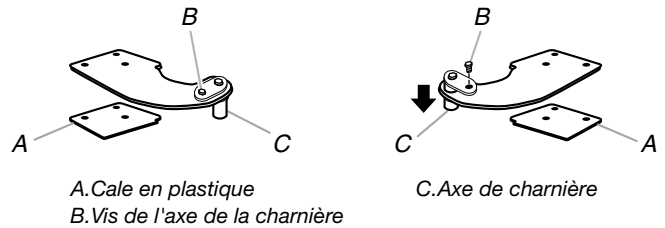
Réinstallation des portes et charnières

REMARQUE : Si on inverse le sens d'ouverture de la porte, considérer l'image symétrique.

1. Replacer les pièces de la charnière inférieure tel qu'illustré. Resserrer les vis. Replacer la porte du réfrigérateur.
REMARQUE : Prévoir un support additionnel des portes pendant le déplacement des charnières. La force d'attraction des aimants des portes ne suffit pas à les maintenir en place.
2. Mesurer la distance entre le bas de la porte du réfrigérateur et le plancher. Cette distance doit être d'environ 3 1/2" (88 mm).
REMARQUE : Si nécessaire, desserrer la charnière inférieure sans retirer les vis, ajuster la hauteur de la porte et serrer complètement les vis.
3. Assembler les pièces de la charnière centrale tel qu'illustré et serrer les vis. Voir l'illustration de la charnière centrale. Réinstaller la porte du congélateur.
4. Réunir les pièces de la charnière supérieure tel qu'illustré. Voir l'illustration de la charnière supérieure. Ne pas complètement serrer les vis.

Modèles avec porte contour :

- Ôter la vis fixant l'axe de charnière à la charnière. Retourner la charnière de façon à ce qu'elle soit orientée dans la direction opposée.
- Placer la cale en plastique sous la charnière de façon à ce qu'elle se trouve entre la charnière et la caisse, tout en s'assurant que les trous sont bien alignés.



- Fixer la charnière supérieure sur le côté opposé de la caisse en insérant les vis jusqu'à la moitié seulement, de façon à pouvoir réinstaller et aligner la porte du congélateur plus tard.
5. Aligner correctement les portes au niveau du bas de la porte du congélateur et du sommet de la porte du réfrigérateur. Serrer toutes les vis.
- REMARQUE :** La distance entre les portes doit être d'environ 5/8" (16 mm).

Étapes finales

1. Inspecter tous les trous afin de vérifier que tous les bouchons d'obturation et vis sont en place. Réinstaller le couvercle de la charnière supérieure. Voir l'illustration de la charnière supérieure.

⚠ AVERTISSEMENT



Risque de choc électrique

Brancher sur une prise à 3 alvéoles reliée à la terre.

Ne pas enlever la broche de liaison à la terre.

Ne pas utiliser un adaptateur.

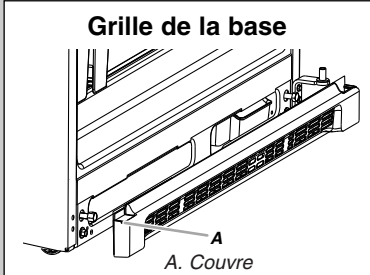
Ne pas utiliser un câble de rallonge.

Le non-respect de ces instructions peut causer un décès, un incendie ou un choc électrique.

2. Enlever le couvercle de la grille de la base. Transférer le couvercle du côté opposé.
3. Aligner les attaches de la grille de la base avec les vis du bas de la caisse. Pousser la grille de la base vers la caisse jusqu'à ce qu'elle soit alignée avec celle-ci.
4. Brancher sur une prise de courant à 3 alvéoles, reliée à la terre.
5. Réinitialiser les commandes. Voir "Utilisation de la/des commande(s)".
6. Réinstaller l'ensemble des pièces amovibles dans les portes et les aliments dans le réfrigérateur.

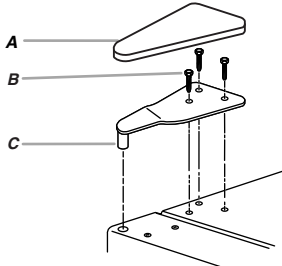
Démontage et réinstallation de la porte

Grille de la base



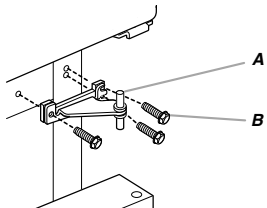
A. Couvre

Charnière supérieure



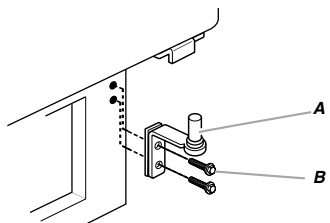
A. Couvercle de la charnière supérieure
B. Vis de charnière à tête hexagonale de 5/16"
C. Charnière supérieure

Charnière centrale



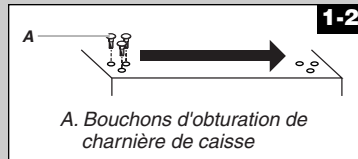
A. Charnière centrale
B. Vis de charnière à tête hexagonale de 5/16"

Charnière inférieure

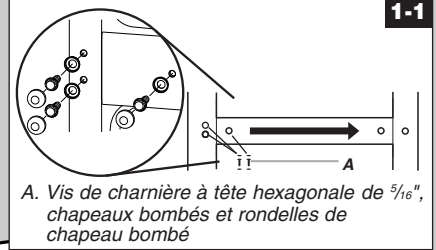


A. Charnière inférieure
B. Vis de charnière à tête hexagonale de 5/16"

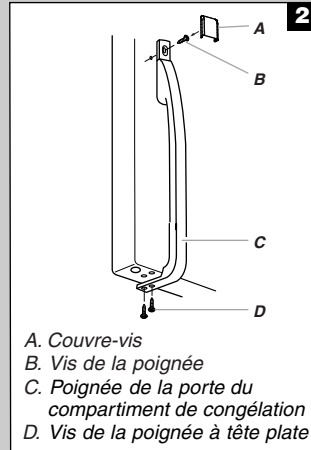
Inversion du sens d'ouverture de la porte (facultatif)



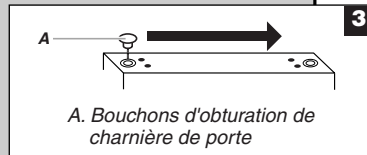
A. Bouchons d'obturation de charnière de caisse



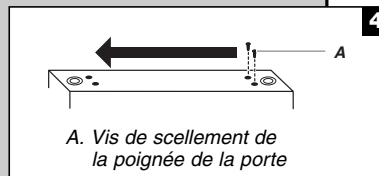
A. Vis de charnière à tête hexagonale de 5/16", chapeaux bombés et rondelles de chapeau bombé



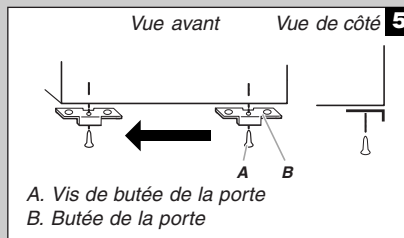
A. Couver-vis
B. Vis de la poignée
C. Poignée de la porte du compartiment de congélation
D. Vis de la poignée à tête plate



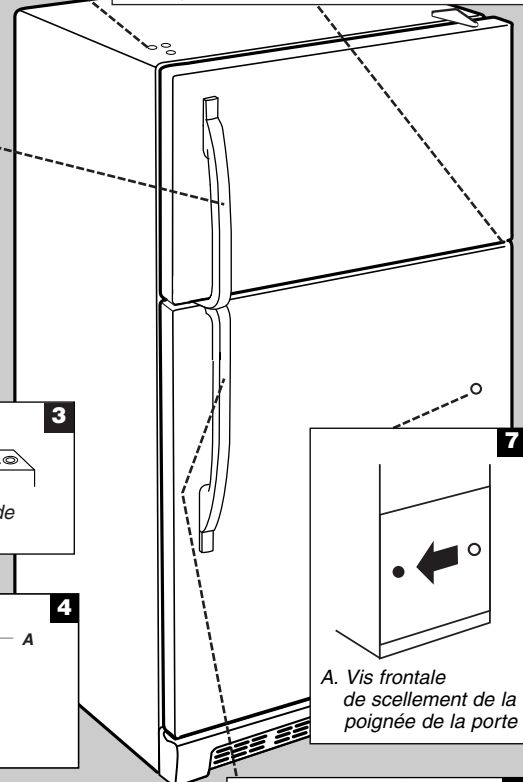
A. Bouchons d'obturation de charnière de porte



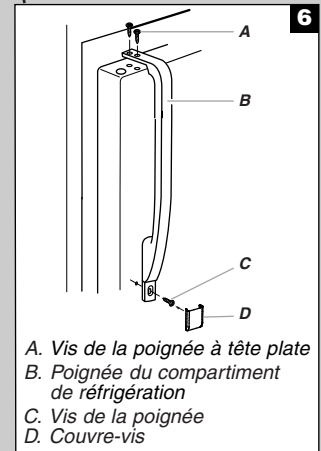
A. Vis de scellement de la poignée de la porte



A. Vis de butée de la porte
B. Butée de la porte



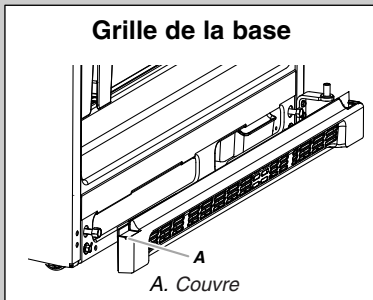
A. Vis frontale de scellement de la poignée de la porte



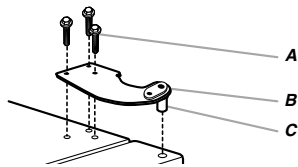
A. Vis de la poignée à tête plate
B. Poignée du compartiment de réfrigération
C. Vis de la poignée
D. Couver-vis

Démontage et réinstallation de la porte

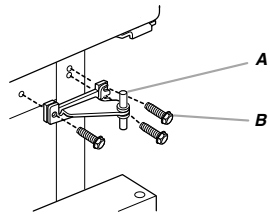
Grille de la base



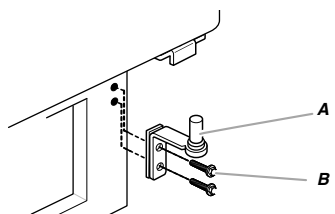
Charnière supérieure



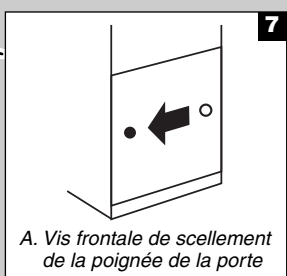
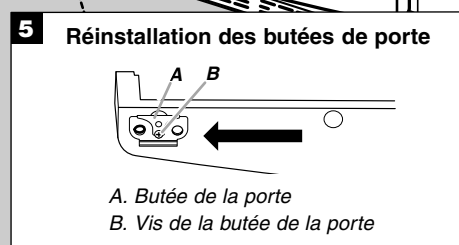
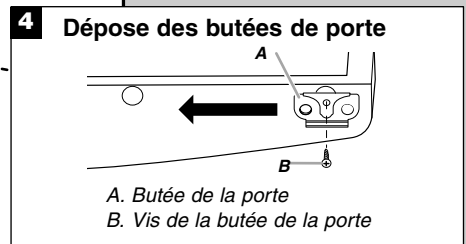
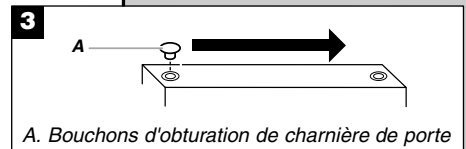
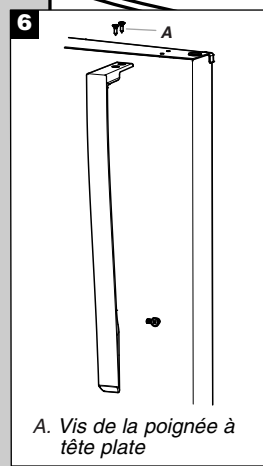
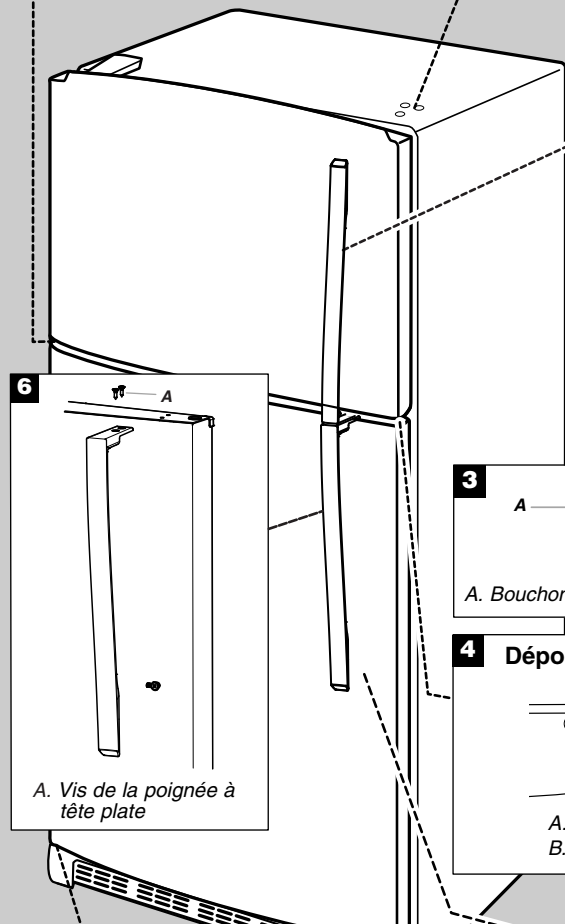
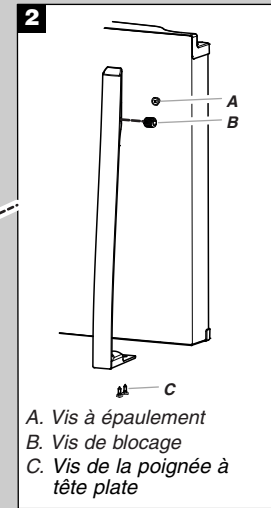
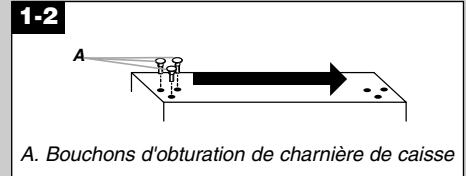
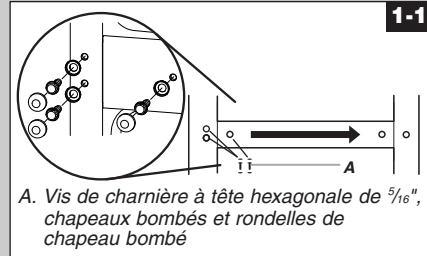
Charnière centrale



Charnière inférieure



Inversion du sens d'ouverture de la porte (facultatif)



Instructions pour l'ensemble d'inversion du sens d'ouverture

Si un ensemble d'inversion du sens d'ouverture est fourni avec le modèle, utiliser la gabarit de positionnement de l'insigne de la marque et les instructions suivantes pour installer l'insigne de la marque du côté opposé de la porte du congélateur.

Pièces fournies :

Outil de retrait de l'insigne de la marque

Gabarit de l'insigne de la marque (sur la dernière page des instructions d'utilisation)

Bouchon obturateur de la poignée de porte

Outillage nécessaire :

Ciseaux

Ruban adhésif de masquage

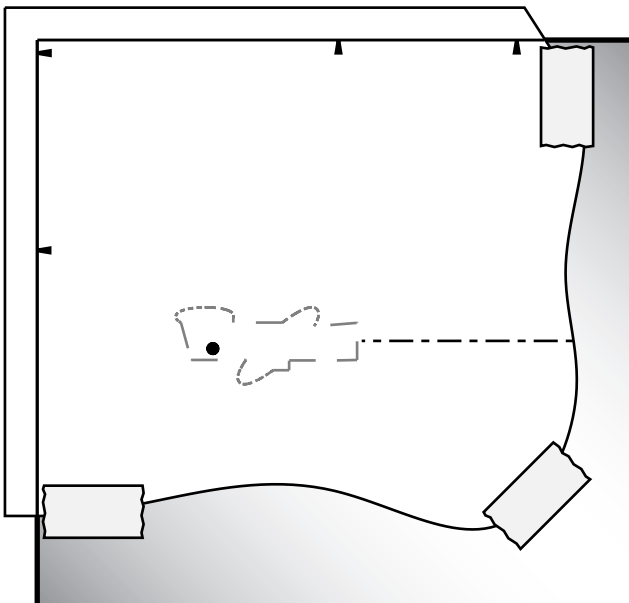
Porte du congélateur

1. A l'aide de l'outil de retrait (fourni), retirer l'insigne de la marque de la porte du congélateur en soulevant le côté droit et en décollant l'insigne de la porte, de droite à gauche.

REMARQUE : Afin d'éviter d'érafler la porte, ne pas utiliser d'objet pointu ou métallique pour arracher l'insigne de la marque de la porte.

2. Frotter une petite quantité de savon liquide à vaisselle sur les résidus d'adhésif avec les doigts. Rincer la porte à l'eau tiède et sécher avec un chiffon doux.
3. Couper le gabarit le long des pointillés qui correspondent à la forme de l'insigne de la marque.
4. Aligner les bords du gabarit avec les parties latérale et supérieure de la porte du congélateur et fixer le gabarit sur la porte à l'aide de ruban adhésif.

REMARQUE : Une fois le gabarit correctement aligné, le trou dans la porte, à l'emplacement de la poignée, se trouvera dans l'ouverture découpée du gabarit, tel qu'illustré.



5. En utilisant cette ouverture comme guide, appuyer l'insigne de la marque sur la porte du congélateur, en veillant à ce que le trou soit entièrement recouvert.
6. Retirer lentement le gabarit.

Ajustement des portes

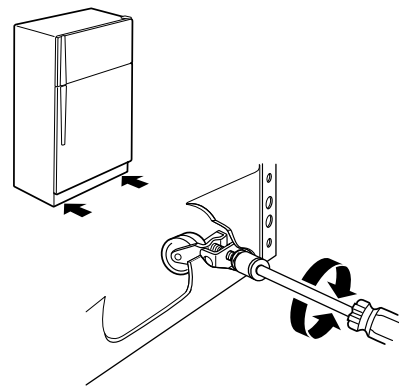
IMPORTANT : Afin de rester en conformité avec les directives de la loi American Disabilities Act (ADA), rétracter complètement les roulettes à l'intérieur de la caisse du réfrigérateur pour abaisser le réfrigérateur.

Fermeture des portes

Votre réfrigérateur présente deux roulettes réglables à l'avant – l'une du côté droit et l'autre du côté gauche. Si votre réfrigérateur semble instable ou si vous désirez que les portes se ferment plus facilement, procéder au réglage de l'inclinaison du réfrigérateur en suivant les instructions ci-dessous :

1. Enlever la grille de la base. Voir l'illustration - Grille de la base dans "Portes du réfrigérateur". Les deux vis de nivellement font partie des roulettes avant qui sont à la base du réfrigérateur d'un côté et de l'autre.
2. Utiliser une clé à douille pour ajuster les vis de nivellement. Tourner la vis de nivellement vers la droite pour soulever le côté du réfrigérateur où elle se trouve ou tourner la vis de nivellement vers la gauche pour abaisser ce même côté. Plusieurs tours des vis de nivellement peuvent être nécessaires pour régler l'inclinaison du réfrigérateur.

REMARQUE : Si une autre personne pousse le haut du réfrigérateur, le poids devient moins lourd sur les vis de nivellement et les roulettes, ce qui rend plus facile l'ajustement des vis.



3. Ouvrir les deux portes de nouveau pour s'assurer qu'elles se ferment aussi facilement que vous le désirez et qu'elles restent fermées. Si ce n'est pas le cas, incliner le réfrigérateur un peu plus vers l'arrière en tournant les deux vis de nivellement vers la droite. Plusieurs tours supplémentaires peuvent être nécessaires.

REMARQUE : Pour que le réfrigérateur reste d'aplomb, il faut appliquer le même nombre de tours aux deux pieds de nivellement.

4. Réinstaller la grille de la base.

Alignement des portes

Si l'espace entre les portes semble inégal, on peut faire le réglage en suivant les instructions ci-dessous :

1. Selon le modèle, enlever le couvre-charnière supérieur. Dégager les vis de la charnière supérieure en utilisant une douille de 5/16" ou une clé à molette.
2. Demander à une personne de tenir la porte en place ou placer une cale entre les portes pendant que vous serrez les vis de la charnière supérieure.
3. Réinstaller le couvre-charnière s'il a été enlevé à l'étape 1.

UTILISATION DU RÉFRIGÉRATEUR

Utilisation des commandes

Votre réfrigérateur comporte deux commandes affectant la température. La commande de température se trouve sur la partie avant supérieure du compartiment du réfrigérateur, et la commande de circulation d'air se trouve sur la paroi arrière du compartiment du congélateur.

IMPORTANT :

- Le réglage recommandé doit être correct pour une utilisation domestique normale du réfrigérateur. Les réglages sont faits correctement lorsque le lait ou le jus sont aussi froids que vous l'aimez et lorsque la crème glacée est ferme.
- Attendre 24 heures pour que le réfrigérateur refroidisse complètement avant d'y placer des aliments. Si on ajoute des aliments avant que le réfrigérateur ne soit complètement refroidi, les aliments risquent de s'abîmer.

REMARQUE : Le fait d'ajuster les commandes de température du réfrigérateur et du congélateur à un réglage plus froid que le réglage recommandé ne refroidira pas les compartiments plus rapidement.

- Si la température est trop tiède ou trop froide dans le réfrigérateur ou le congélateur, vérifier d'abord les événements pour s'assurer qu'ils ne sont pas bloqués, avant de régler les commandes.

Commande de température

Pour votre commodité, la commande de température est pré-réglée à l'usine. Lors de l'installation initiale du réfrigérateur, s'assurer que la commande est toujours pré-réglée au point de réglage recommandé tel qu'illustré.

Réglage recommandé "3 flocons de neige"



Refroidissement Marche/Arrêt

- Régler la commande manuelle au mot OFF (arrêt). Pour rétablir le refroidissement, placer le bouton rotatif au réglage de température désiré.

REMARQUE : Aucun compartiment ne se refroidira lorsque la commande est réglée à OFF (arrêt).

Réglage de la commande de température

S'il est nécessaire d'ajuster la température dans le compartiment de réfrigération ou de congélation, utiliser les réglages indiqués dans le tableau ci-dessous comme guide.

REMARQUE : Ne pas ajuster les commandes de plus d'un cran à la fois, sauf lors de la mise en marche du réfrigérateur. Attendre 24 heures entre les réglages pour que la température puisse se stabiliser

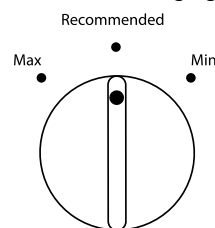
- Déplacer le bouton rotatif vers la quantité de flocons de neige souhaitée (de 1 pour le réglage le moins froid à 5 pour le réglage le plus froid).

CONDITION/RAISON :	AJUSTEMENT :
RÉFRIGÉRATEUR trop tiède	Commande de la TEMPÉRATURE à un niveau plus élevé
CONGÉLATEUR trop tiède/trop peu de glaçons	Commande du AIRFLOW (circulation d'air) ou de la TEMPÉRATURE à un niveau plus élevé
RÉFRIGÉRATEUR trop froid	Commande de la TEMPÉRATURE à un niveau plus bas
CONGÉLATEUR trop froid	Commande du AIRFLOW (circulation d'air) ou de la TEMPÉRATURE à un niveau plus bas

Commande de circulation d'air

La commande de circulation d'air ajuste la quantité d'air circulant entre les compartiments du congélateur et du réfrigérateur.

Lorsque le réfrigérateur est branché pour la première fois, placer la commande de circulation d'air au réglage recommandé.



Réglage de la commande de circulation d'air

Si une augmentation temporaire de la circulation d'air froid dans un compartiment particulier est souhaitée, régler la commande.

- Max (maximum) - Augmente la circulation d'air dans le congélateur
- Min (minimum) - Augmente la circulation d'air dans le réfrigérateur

IMPORTANT : Une fois la performance obtenue, replacer la commande de circulation d'air au réglage recommandé afin que le réfrigérateur continue de fonctionner avec le maximum d'efficacité.

CONDITION/RAISON :	RÉGLAGE :
Usage intense de glaçons	Max (maximum)
Température de la pièce élevée	Max (maximum) - Pour maintenir le taux de production de glaçons
Grande quantité d'aliments	Min (minimum) - Pour refroidir rapidement aliments et boissons

Machine à glaçons (sur certains modèles - accessoire)

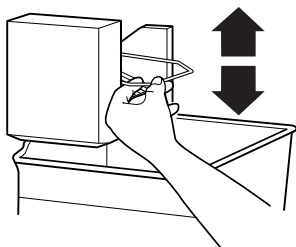
Mise en marche/arrêt de la machine à glaçons

REMARQUE : Ne pas forcer le bras de commande en broche vers le haut ou vers le bas.

- Pour mettre la machine à glaçons en marche, il suffit d'abaisser le bras de commande en broche.

REMARQUE : Votre machine à glaçons comporte un système d'arrêt automatique. Au fur et à mesure de la fabrication de la glace, les glaçons remplissent le bac d'entreposage de glaçons. Les glaçons soulèvent le bras de commande en broche à la position OFF (arrêt) (vers le haut).

- Pour un arrêt manuel, soulever le bras de commande en broche à la position OFF (arrêt) (vers le haut) et attendre le déclic pour s'assurer que la machine à glaçons ne continuera pas à fonctionner.



REMARQUE : Éteindre la machine à glaçons avant de retirer le bac d'entreposage à glaçons pour servir des glaçons ou pour nettoyer le bac. Ceci empêchera les glaçons de tomber de la machine à glaçons et dans le compartiment de congélation. Après avoir remplacé le bac d'entreposage, mettre en marche la machine à glaçons.

Taux de production de glaçons

- Production NORMALE de glaçons : La machine à glaçons devrait produire environ 8 à 12 lots de glaçons par période de 24 heures. Si les glaçons ne sont pas fabriqués assez rapidement, tourner la commande du congélateur vers un chiffre plus élevé (plus froid) par étapes de un demi-numéro. (Par exemple, si la commande est à 3, la déplacer entre 3 et 4.) Attendre 24 heures et, si nécessaire, tourner graduellement la commande du congélateur au réglage le plus élevé, en attendant 24 heures entre chaque augmentation.
- Production MAXIMALE de glaçons (sur certains modèles) : La machine à glaçons devrait produire environ de 16 à 20 lots de glaçons par période de 24 heures. Si votre réfrigérateur est doté de la caractéristique de production maximale de glaçons, pousser le commutateur à MAX.

À noter

- Attendre 24 heures pour obtenir la première quantité de glaçons. Prévoir un délai de 3 jours pour le remplissage complet du bac d'entreposage. Jeter les trois premières quantités de glaçons produites.
- La qualité de vos glaçons sera seulement aussi bonne que la qualité de l'eau fournie à votre machine à glaçons. Éviter de brancher la machine à glaçons à un approvisionnement d'eau adoucie. Les produits chimiques adoucisseurs d'eau (tels que le sel) peuvent endommager des pièces de la machine à glaçons et causer une piètre qualité des glaçons. Si une alimentation d'eau adoucie ne peut pas être évitée, s'assurer que l'adoucisseur d'eau fonctionne bien et qu'il est bien entretenu.
- Ne pas garder quoi que ce soit sur le dessus de la machine à glaçons ou dans le bac à glaçons.

CARACTÉRISTIQUES DU RÉFRIGÉRATEUR

Votre modèle peut comporter l'ensemble de ces caractéristiques ou certaines d'entre elles.

Importants renseignements à savoir au sujet des tablettes et des couvercles en verre :

Ne pas nettoyer les tablettes ou couvercles en verre avec de l'eau tiède quand ils sont froids. Les tablettes et les couvercles peuvent se briser s'ils sont exposés à des changements soudains de température ou à un impact tel que coup brusque. Le verre trempé est conçu pour éclater en d'innombrables pièces minuscules. Ceci est normal. Les tablettes et les couvercles en verre sont lourds. Les saisir à deux mains lors de leur dépose afin d'éviter de les faire tomber.

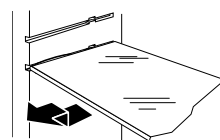
Tablettes du réfrigérateur

Les tablettes du réfrigérateur sont réglables pour s'adapter aux besoins de rangement de l'utilisateur.

Afin de pouvoir trouver plus facilement l'article que l'on cherche, on peut remiser ensemble des aliments semblables dans le réfrigérateur et régler les tablettes pour les adapter aux différentes tailles d'articles. Ceci réduira également la durée d'ouverture de la porte du réfrigérateur et permettra d'économiser de l'énergie.

Retrait et réinstallation de la tablette :

1. Retirer les articles de la tablette.
2. Retirer la tablette en la faisant glisser tout droit jusqu'à la butée.
3. Selon le modèle, soulever l'arrière ou l'avant de la tablette et la retirer au-delà de la butée. Retirer complètement la tablette en la faisant glisser entièrement hors des supports.
4. Réinstaller la tablette en réinsérant de nouveau l'arrière de la tablette dans la rainure de la paroi de la caisse.
5. Guider l'avant de la tablette dans la rainure de la tablette. Veiller à insérer complètement la tablette.

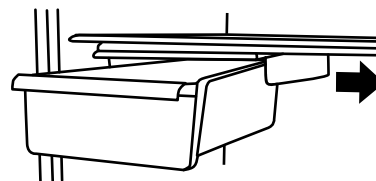


Tiroir pour spécialités alimentaires

Retrait et réinstallation du tiroir pour spécialités alimentaires:

1. Retirer le tiroir pour spécialités alimentaires en le faisant glisser vers l'extérieur jusqu'à la butée.
2. Soulever l'avant du tiroir pour spécialités alimentaires d'une main tout en soutenant la partie inférieure du tiroir de l'autre main. Faire glisser le tiroir complètement vers l'extérieur.
3. Réinstaller le tiroir en réinsérant complètement l'arrière au-delà de la butée.

REMARQUE : Le tiroir à spécialités alimentaires peut être déplacé latéralement sur la tablette pour pouvoir en changer facilement la position.



Guide d'entreposage des viandes

La plupart des viandes peuvent être conservées dans leur emballage original tant que cet emballage est hermétique et à l'épreuve de l'humidité. Emballer de nouveau si nécessaire. Voir le tableau suivant pour les périodes de conservation. Si la viande doit être conservée pour une période plus longue que la durée donnée, faire congeler la viande.

Poissons ou crustacés frais..... consommer le jour de l'achat
Poulet, bœuf haché, abats comestibles (foie)..... 1 à 2 jours
Charcuterie, steaks/rôti..... 3 à 5 jours
Viandes salaisonées..... 7 à 10 jours

Restes - Couvrir les restes avec de la pellicule en plastique ou du papier d'aluminium. Il est convenable aussi d'utiliser des contenants en plastique avec couvercle hermétique.

Bac à légumes

Bacs à légumes

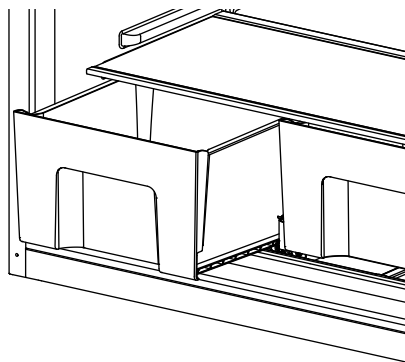
Retrait et réinstallation du bac à légumes :

1. Extraire le bac à légumes en le faisant glisser vers l'extérieur jusqu'à la butée. Soulever le devant et faire glisser le bac vers l'extérieur pour le retirer complètement.
2. Réinstaller le bac en le faisant glisser complètement à sa position au-delà de la butée.

Couvercle du bac à légumes

Dépose et réinstallation du couvercle du bac à légumes :

1. Retirer le/les bac(s) à légumes.
2. Tirer sur le couvercle en verre tout droit vers l'extérieur.
3. Réinstaller le couvercle en verre en le réinsérant..



Commande d'humidité

On peut contrôler le degré d'humidité dans le bac à légumes étanche. La commande peut être ajustée à n'importe quel réglage entre LOW (faible) et HIGH (élevée).

En position LOW (faible) (en position ouverte), le réglage laisse échapper l'air humide du bac à légumes pour mieux conserver les fruits et légumes à pelures.

- Fruits : Laver, laisser sécher et garder au réfrigérateur dans un sac en plastique ou dans le bac à légumes. Ne pas laver ni équeuter les baies avant le moment de leur utilisation. Répartir et garder les baies dans leur contenant original dans le bac à légumes ou les conserver sur une tablette du réfrigérateur dans un sac en papier fermé sans être serré.
- Légumes à pelure : Placer dans un sac ou un contenant en plastique et ranger dans le bac à légumes.

En position HIGH (élevé) (en position fermée), le réglage permet de retenir l'humidité à l'intérieur du bac à légumes pour mieux conserver les légumes à feuilles frais.

- Légumes à feuilles : Laver à l'eau froide, égoutter et couper ou éliminer les sections endommagées et décolorées. Placer dans un sac ou un contenant en plastique et ranger dans le bac à légumes.

CARACTÉRISTIQUES DU CONGÉLATEUR

Votre modèle peut comporter toutes les caractéristiques suivantes ou seulement certaines d'entre elles.

Importants renseignements à savoir au sujet des tablettes et des couvercles en verre :

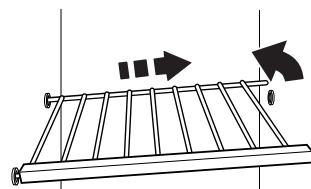
Ne pas nettoyer les tablettes ou couvercles en verre avec de l'eau tiède quand ils sont froids. Les tablettes et les couvercles peuvent se briser s'ils sont exposés à des changements soudains de température ou à un impact tel que coup brusque. Le verre trempé est conçu pour éclater en d'innombrables pièces minuscules. Ceci est normal. Les tablettes et les couvercles en verre sont lourds. Les saisir à deux mains lors de leur dépose afin d'éviter de les faire tomber.

Tablette métallique du congélateur (sur certains modèles)

Retrait et réinstallation d'une tablette métallique :

1. Enlever doucement la tablette en la soulevant légèrement et en la déplaçant entièrement sur le côté gauche. Incliner le côté droit vers le haut et sortir la tablette des supports.
2. Réinstaller la tablette en insérant complètement l'extrémité gauche dans les supports de tablette. Puis abaisser l'extrémité droite de la tablette et l'insérer dans les supports.

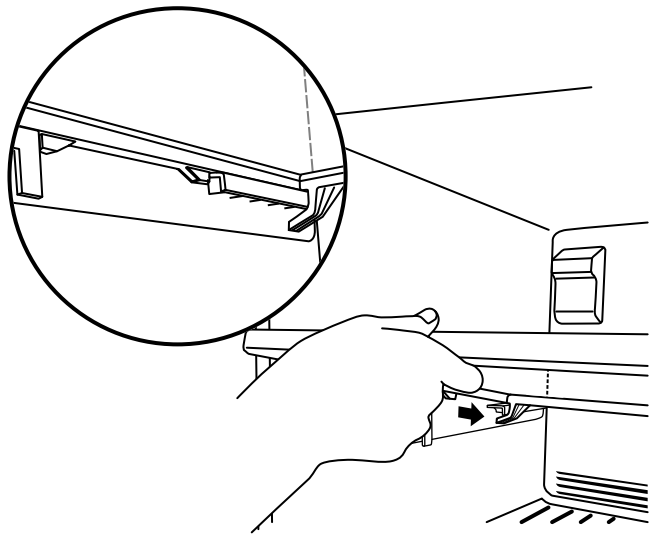
REMARQUE : La tablette doit s'abaisser légèrement et se verrouiller en place. Si la tablette ne semble pas stable, s'assurer que les deux extrémités sont insérées dans les supports de tablette.



Tablette en verre du congélateur (sur certains modèles)

Retrait et réinstallation d'une tablette en verre :

1. Soulever l'avant de la tablette pour soulever les pattes de tablette et les dégager de l'ouverture de chaque rainure de tablette. Retirer complètement la tablette.
2. Réinstaller la tablette en enfonçant la partie arrière pour aligner la patte arrière de tablette sous la rainure située de chaque côté du congélateur. Enfoncer délicatement la tablette dans le congélateur jusqu'à ce que les deux pattes centrales de la tablette se trouvent à l'intérieur de l'ouverture de chaque rainure. Abaisser la tablette pour qu'elle repose sur les rainures de tablette.



Guide de stockage des aliments surgelés

Les périodes de conservation varient selon la qualité et le type d'aliment, le type d'emballage et de pellicule utilisés (doivent être hermétiques et résistant à l'humidité) et la température de remisage. Bien fermer le sachet ou le récipient pour empêcher le transfert de goût et d'odeur dans le produit. Les cristaux de glace à l'intérieur d'un emballage scellé sont normaux. La présence de cristaux signifie simplement que l'humidité dans les aliments et l'air à l'intérieur de l'emballage se sont condensés.

Ne pas placer plus d'aliments non congelés dans le congélateur que la quantité qui congèlera dans l'intervalle de 24 heures (pas plus de 2 à 3 lb d'aliments par pied cube d'espace [907 à 1 350 g par L] dans le congélateur). Laisser assez d'espace dans le congélateur pour permettre la circulation d'air entre les emballages. S'assurer que la porte du congélateur est bien fermée.

REMARQUE : Pour plus de renseignements sur la préparation des aliments pour la congélation, consulter un guide pour congélateur ou un livre de recettes fiable.

CARACTÉRISTIQUES DE LA PORTE

Votre modèle peut comporter l'ensemble de ces caractéristiques ou certaines d'entre elles.

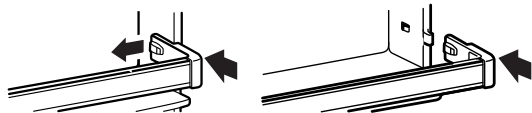
Tringles de porte

Les tringles de porte peuvent être enlevés pour faciliter le nettoyage.

Tringles à emboîter dans la porte (sur certains modèles)

Pour retirer et réinstaller les tringles :

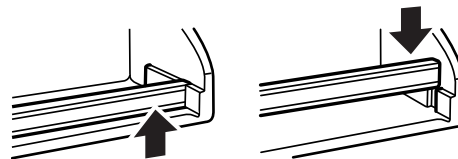
1. Selon votre modèle, retirer les tringles en poussant légèrement sur le devant de la bride tout en tirant sur la languette intérieure. Répéter ces étapes pour l'autre extrémité.
2. Réinstaller les tringles en alignant les extrémités des brides avec les boutons sur les côtés de l'intérieur de la porte. Enclencher fermement les brides et l'ensemble sur les tenons au dessus de l'étagère. Voir l'illustration.



Tringles déposées dans la porte (sur certains modèles)

Pour retirer et réinstaller les tringles :

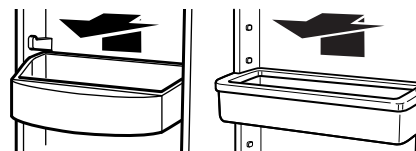
1. Retirer les tringles en les soulevant à partir de chaque extrémité de la tringle.
2. Réinstaller les tringles en faisant glisser la tringle de la tablette dans les fentes sur la porte et en poussant la tringle jusqu'à l'arrêt.



Balconnets de porte (sur certains modèles)

Retrait et réinstallation des balconnets :

1. Retirer le bac en le soulevant et en le tirant tout droit.
2. Réinstaller le bac en le faisant glisser au-dessus du support désiré et en l'enfonçant jusqu'à la butée.

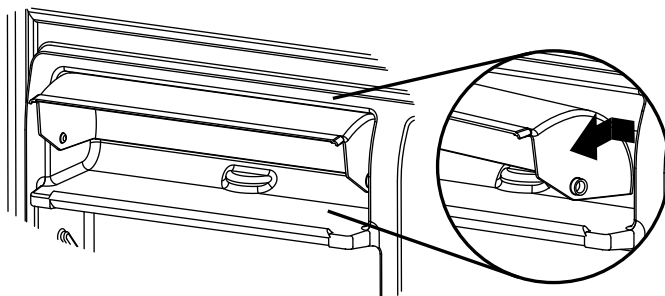


Compartiment utilitaire

Le compartiment utilitaire peut être enlevé pour faciliter le nettoyage.

Retrait et réinstallation du compartiment utilitaire :

1. Retirer le compartiment utilitaire en pressant l'un des côtés tout en soulevant le compartiment utilitaire et en le tirant tout droit pour le dégager.
2. Réinstaller le compartiment utilitaire en plaçant un côté dans le mécanisme de verrouillage et en faisant coulisser l'autre côté en place jusqu'à la butée.



ENTRETIEN DU RÉFRIGÉRATEUR

Nettoyage

AVERTISSEMENT



Risque d'explosion

Utiliser un produit de nettoyage ininflammable.

Le non-respect de cette instruction peut causer un décès, une explosion ou un incendie.

Les compartiments de réfrigération et de congélation se dégivrent automatiquement. Toutefois, nettoyer les deux compartiments environ une fois par mois pour éviter une accumulation d'odeurs. Essuyer les renversements immédiatement.

IMPORTANT :

- Comme l'air circule entre les deux compartiments, toutes les odeurs formées dans un compartiment seront transférées à l'autre. Vous devez nettoyer à fond les deux compartiments pour éliminer les odeurs. Pour éviter le transfert d'odeurs et l'assèchement des aliments, envelopper ou recouvrir hermétiquement les aliments.
- Pour les modèles en acier inoxydable, l'acier inoxydable est résistant à la corrosion, mais il n'est pas anticorrosif. Pour éviter la corrosion de l'acier inoxydable, garder les surfaces propres à l'aide des instructions de nettoyage suivantes.

Nettoyage de votre réfrigérateur :

REMARQUE : Ne pas utiliser des nettoyants abrasifs ou puissants tels que les nettoyants à vitre en atomiseurs, nettoyants à récurer, liquides inflammables, acide chlorhydrique, cires nettoyantes, détergents concentrés, agents de blanchiment ou nettoyants contenant du pétrole sur les surfaces extérieures (portes et caisses), les pièces en plastique, les garnitures intérieures et portes ou les joints de portes. Ne pas utiliser d'essuie-tout, tampons à récurer ou autres outils de nettoyage abrasifs.

1. Débrancher le réfrigérateur ou déconnecter la source de courant électrique.
2. Laver à la main, rincer et sécher les pièces amovibles et les surfaces internes à fond. Utiliser une éponge propre ou un linge doux et un détergent doux dans de l'eau tiède.
3. Nettoyer les surfaces extérieures.

Métal peint : Laver les surfaces extérieures peintes avec une éponge propre ou un linge doux et un détergent doux dans de l'eau tiède. Rincer les surfaces avec de l'eau propre et tiède et sécher immédiatement pour éviter les éventuelles taches laissées par l'eau.

Acier inoxydable : Laver les surfaces en acier inoxydable avec une éponge propre ou un linge doux et un détergent doux dans de l'eau tiède. Rincer les surfaces avec de l'eau propre et tiède et sécher immédiatement pour éviter les éventuelles taches laissées par l'eau.

REMARQUE : Lors du nettoyage de l'acier inoxydable, essuyer toujours dans le sens du grain pour éviter les éraflures.

4. Le condenseur n'a pas besoin d'être nettoyé souvent dans des conditions de fonctionnement normales. Si l'environnement est particulièrement gras, poussiéreux, ou s'il y a des animaux domestiques dans la maison, le condenseur devrait être nettoyé tous les deux ou trois mois pour assurer une efficacité maximum.

Si vous avez besoin de nettoyer le condenseur :

- Retirer la grille de la base.
- Utiliser un aspirateur à brosse douce pour nettoyer la grille, les endroits ouverts derrière la grille et la surface à l'avant du condenseur.
- Replacer la grille de la base lorsqu'on a terminé.

5. Brancher le réfrigérateur ou reconnecter la source de courant électrique.

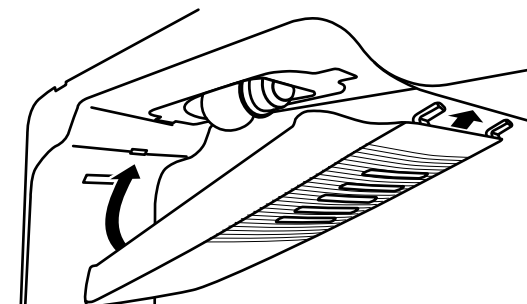
Remplacement des ampoules d'éclairage

IMPORTANT : Les ampoules des compartiments de réfrigération et de congélation du nouveau réfrigérateur sont issues de la technologie DEL. Si les lampes ne s'allument pas lorsqu'on ouvre la porte du réfrigérateur et/ou congélateur, composer les numéros fournis pour assistance ou dépannage. Consulter la garantie pour connaître les numéros de téléphone.

Éclairage du compartiment de réfrigération

L'ampoule du réfrigérateur se trouve derrière la commande.

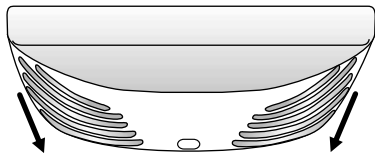
1. Débrancher le réfrigérateur ou déconnecter la source de courant électrique.
2. Enlever le protège-ampoule en appuyant sur les côtés et en le tirant vers le bas.
3. Retirer l'ampoule et la remplacer par une ampoule de même taille et forme.
 - Pour remplacer l'ampoule du compartiment de réfrigération par une ampoule DEL, commander la pièce numéro W10565137 (3,6 watts).
4. Réinstaller le protège-ampoule.



5. Brancher le réfrigérateur ou reconnecter la source de courant électrique.

Éclairage du compartiment de congélation (sur certains modèles)

1. Débrancher le réfrigérateur ou déconnecter la source de courant électrique.
2. Retirer le protège-ampoule (sur certains modèles).
 - Sommet du compartiment de congélation - Faire glisser le protège-ampoule vers l'arrière du compartiment pour le libérer de l'ensemble d'éclairage.



3. Retirer l'ampoule et la remplacer par une ampoule de même taille et forme.
 - Pour remplacer l'ampoule du compartiment de congélation par une ampoule DEL, commander la pièce numéro W10574850 (2,0 watts).

REMARQUE : Certaines ampoules DEL de rechange ne sont pas recommandées pour des environnements humides/mouillés. Les compartiments de réfrigération et de congélation sont considérés comme des environnements humides/mouillés. Si l'on utilise une marque d'ampoules DEL différente de celle des ampoules recommandées, lire et suivre toutes les instructions de l'emballage des ampoules DEL avant de procéder à l'installation.

 - Si l'on utilise une ampoule à incandescence pour remplacer l'ampoule DEL, utiliser uniquement des ampoules à incandescence pour les appareils électroménagers de 25 watts maximum.
4. Réinstaller le protège-ampoule.
5. Brancher le réfrigérateur ou reconnecter la source de courant électrique.

Entretien avant les vacances ou lors d'un déménagement

Vacances

Si l'utilisateur choisit de laisser le réfrigérateur en fonctionnement pendant son absence :

1. Consommer tous les aliments périssables et congeler les autres.
2. Si le réfrigérateur comporte une machine à glaçons automatique et qu'il est raccordé à la source d'approvisionnement en eau du domicile, fermer la source d'approvisionnement en eau du réfrigérateur. Des dommages matériels peuvent subvenir si l'alimentation en eau n'est pas coupée.
3. Si la machine à glaçons est automatique, éteindre la machine à glaçons.

REMARQUE : Selon le modèle, soulever le bras de commande en broche à la position OFF (arrêt) (position élevée).
4. Vider le bac à glaçons.

Si l'utilisateur choisit d'arrêter le fonctionnement du réfrigérateur avant son départ :

1. Enlever tous les aliments du réfrigérateur.
2. Si le réfrigérateur a une machine à glaçons automatique :
 - Fermer l'approvisionnement d'eau de la machine à glaçons au moins une journée à l'avance.
 - Lorsque la dernière quantité de glaçons est déposée, soulever le bras de commande en broche à la position OFF (arrêt) (vers le haut).
3. Éteindre la/les commande(s) de température. Voir "Utilisation de la/des commande(s)".
4. Nettoyer le réfrigérateur, l'essuyer et bien le sécher.
5. À l'aide d'un ruban adhésif, placer des blocs de caoutchouc ou de bois dans la partie supérieure de chaque porte de façon à ce qu'elles soient suffisamment ouvertes pour permettre l'entrée d'air à l'intérieur, afin d'éviter l'accumulation d'odeurs ou de moisissure.

Déménagement

Lorsque l'on déménage le réfrigérateur dans une nouvelle habitation, suivre ces étapes pour préparer le déménagement.

1. Si le réfrigérateur a une machine à glaçons automatique :
 - Fermer l'approvisionnement d'eau de la machine à glaçons au moins une journée à l'avance.
 - Débrancher la canalisation d'eau de l'arrière du réfrigérateur.
 - Lorsque la dernière quantité de glaçons est déposée, soulever le bras de commande en broche à la position OFF (élevée).
2. Retirer tous les aliments du réfrigérateur et placer tous les aliments congelés dans de la neige carbonique.
3. Vider le bac à glaçons.
4. Éteindre la/les commande(s) de température. Voir "Utilisation de la/des commande(s)".
5. Débrancher le réfrigérateur.
6. Nettoyer, essuyer et sécher à fond.
7. Retirer toutes les pièces amovibles, bien les envelopper et les attacher ensemble à l'aide de ruban adhésif pour qu'elles ne bougent pas ni ne s'entrechoquent durant le déménagement.
8. Selon le modèle, soulever le devant du réfrigérateur pour qu'il roule plus facilement OU soulever les vis de nivellement pour qu'elles n'égratignent pas le plancher. Voir "Ajustement de la/des porte(s)" ou "Fermeture et alignement de la porte".
9. Fermer les portes à l'aide de ruban adhésif et fixer le cordon d'alimentation électrique au dos du réfrigérateur à l'aide de ruban adhésif.

Lorsque vous arriverez à votre nouvelle habitation, remettez tout en place et consultez la section "Instructions d'installation" pour les instructions de préparation. D'autre part, si votre réfrigérateur a une machine à glaçons automatique, rappelez-vous de raccorder l'approvisionnement d'eau au réfrigérateur.

RÉSOLUTION DE PROBLÈMES

Essayer d'abord les solutions suggérées ici. Pour obtenir de l'aide ou des conseils qui permettront peut-être d'éviter une intervention de dépannage, consulter la page de garantie de ce manuel et scanner le code QR avec votre appareil intelligent, ou consultez le site internet www.whirlpool.ca pour des conseils qui vous permettront peut-être d'éviter une intervention de dépannage.

Vous pouvez adresser tous commentaires ou questions par courrier à l'adresse ci-dessous :

Aux États-Unis :

Whirlpool Brand Home Appliances
Customer eXperience Center
553 Benson Road
Benton Harbor, MI 49022-2692

Au Canada :

Whirlpool Brand Home Appliances
Customer eXperience Centre
200 - 6750 Century Ave.
Mississauga ON L5N 0B7

Dans votre correspondance, veuillez indiquer un numéro de téléphone où l'on peut vous joindre dans la journée.

⚠ AVERTISSEMENT



Risque de choc électrique

Brancher sur une prise à 3 alvéoles reliée à la terre.

Ne pas enlever la broche de liaison à la terre.

Ne pas utiliser un adaptateur.

Ne pas utiliser un câble de rallonge.

Le non-respect de ces instructions peut causer un décès, un incendie ou un choc électrique.

⚠ AVERTISSEMENT



Risque d'explosion

Utiliser un produit de nettoyage ininflammable.

Le non-respect de cette instruction peut causer un décès, une explosion ou un incendie.

Si vous rencontrez les problèmes suivants Causes possibles et/ou solutions recommandées

Le réfrigérateur ne fonctionne pas

- **Non raccordé à l'alimentation électrique** - Brancher le cordon d'alimentation dans une prise à 3 alvéoles reliée à la terre. Ne pas utiliser de rallonge.
- **Pas d'alimentation au niveau de la prise** - Brancher une lampe pour voir si la prise électrique fonctionne.
- **Un fusible du domicile est grillé ou le disjoncteur s'est ouvert** - Remplacer le fusible ou réenclencher le disjoncteur. Si le problème persiste, appeler un électricien.
- **La commande est désactivée** - Activer la commande du réfrigérateur.
- **Nouvelle installation** - Attendre 24 heures après l'installation pour permettre au réfrigérateur de refroidir complètement.

REMARQUE : Le fait de placer la/les commande(s) de température au réglage le plus froid ne refroidira pas le réfrigérateur plus rapidement.

Le moteur semble fonctionner excessivement

Votre nouveau réfrigérateur fonctionnera peut-être plus longtemps que votre appareil précédent. Les réfrigérateurs éconergiques fonctionnent plus longtemps à des vitesses inférieures, plus éconergiques. Le réfrigérateur peut fonctionner encore plus longtemps si la température de la pièce est élevée, si une grande quantité de nourriture a été ajoutée, si la porte est fréquemment ouverte ou si elle est laissée ouverte.

Si vous rencontrez les problèmes suivants **Causes possibles et/ou solutions recommandées**

Le réfrigérateur est bruyant

Le bruit émis par les réfrigérateurs a été réduit au cours des années. Les bruits de fonctionnement étant moins importants, vous remarquerez peut-être des bruits inconnus qui sont en réalité normaux. Voici une liste des sons normaux accompagnés d'une explication.

- **Bourdonnement** - Se fait entendre lorsque le robinet d'eau s'ouvre pour remplir la machine à glaçons
- **Claquement/crépitement** - Ouverture ou fermeture des robinets
- **Pulsation** - Les ventilateurs/le compresseur se règle afin d'optimiser la performance
- **Cliquetis** - Écoulement de liquide réfrigérant, mouvement des conduites d'eau ou d'objets posés sur le dessus du réfrigérateur
- **Grésillement/gargouillement** - De l'eau tombe sur l'élément de chauffage durant le programme de dégivrage
- **Bruit d'éclatement** - Contraction/expansion des parois internes, particulièrement lors du refroidissement initial
- **Bruit d'écoulement d'eau** - Peut être entendu lorsque la glace fond lors du programme de dégivrage et que l'eau s'écoule dans le plateau de dégivrage
- **Grincement/craquement** - Se produit lorsque la glace est éjectée du moule à glaçons

La porte ne ferme pas complètement

- **La porte est bloquée en position ouverte** - Déplacer les aliments sous emballage pour dégager la porte. Replacer le compartiment ou la tablette en position correcte. Vérifier que le couvercle du bac à légumes est enfoncé complètement de sorte que l'arrière repose sur les supports.

La porte est difficile à ouvrir

- **Les joints sont sales ou collants** - Nettoyer les joints et les surfaces au savon doux et à l'eau tiède. Rincer et sécher avec un linge doux.

La température est trop élevée

- **Nouvelle installation** - Attendre 24 heures après l'installation pour permettre au réfrigérateur de refroidir complètement.
- **La/les porte(s) sont fréquemment ouvertes ou ne sont pas complètement fermées** - Cela permet à l'air chaud de pénétrer dans le réfrigérateur. Minimiser la fréquence d'ouverture des portes et les garder complètement fermées.
- **Une grande quantité d'aliments tièdes a été récemment ajoutée** - Attendre quelques heures pour permettre au réfrigérateur de revenir à une température normale.
- **Vérifier que le réglage de la/des commande(s) de température est adapté à l'environnement de l'appareil** - Ajuster les commandes à un réglage plus froid. Vérifier la température au bout de 24 heures. Voir la section "Utilisation de la/des commande(s)".

Présence d'accumulation d'humidité à l'intérieur

REMARQUE : Une certaine accumulation d'humidité est normale.

- **Pièce humide** - Ceci contribue à l'accumulation de l'humidité dans le réfrigérateur.
- **La/les porte(s) sont fréquemment ouvertes ou ne sont pas complètement fermées** - Cela permet à l'air humide de pénétrer dans le réfrigérateur. Minimiser les ouvertures de porte et garder la porte complètement fermée.

La machine à glaçons ne produit pas ou pas suffisamment de glaçons (sur certains modèles)

- **La machine à glaçons n'est pas raccordée à l'alimentation en eau** - Raccorder le réfrigérateur à l'alimentation en eau et ouvrir complètement le robinet d'arrêt d'eau.
 - **Une déformation de la canalisation peut réduire le débit d'eau** - Redresser la canalisation d'eau.
 - **La machine à glaçons est éteinte** - S'assurer que le bras de commande de la machine à glaçons ou l'interrupteur (selon les modèles) est bien à la position ON (marche).
 - **Nouvelle installation** - Attendre 24 heures après l'installation de la machine à glaçons pour que la production de glaçons commence. Attendre 3 jours pour que la production de glaçons soit complète.
 - **Une grande quantité de glaçons a été récemment prélevée** - Laisser suffisamment de temps à la machine à glaçons pour produire plus de glaçons.
 - **Un glaçon est coincé dans le bras éjecteur** - Enlever le glaçon du bras éjecteur avec un ustensile en plastique.
 - **Un système de filtration de l'eau par osmose inverse raccordé à votre alimentation en eau froide peut réduire la pression de l'eau** - Voir la section "Spécifications de l'alimentation en eau".
-

Si vous rencontrez les problèmes suivants **Causes possibles et/ou solutions recommandées**

Les glaçons sont creux ou petits (sur certains modèles)

REMARQUE : Cela indique une faible pression de l'eau.

- **Le robinet d'eau n'est pas complètement ouvert** - Ouvrir complètement le robinet d'arrêt d'eau.
 - **Une déformation de la canalisation peut réduire le débit d'eau** - Redresser la canalisation d'eau.
 - **Un système de filtration de l'eau par osmose inverse raccordé à votre alimentation en eau froide peut réduire la pression de l'eau** - Voir la section "Spécifications de l'alimentation en eau".
 - Pour d'autres questions concernant la pression de l'eau, contacter un plombier agréé qualifié.
-

Mauvais goût, mauvaise odeur ou couleur grise des glaçons (sur certains modèles)

- **Des raccords de plomberie neufs peuvent entraîner une décoloration ou un mauvais goût des glaçons** - Jeter les glaçons et laver le bac d'entreposage à glaçons. Attendre 24 heures pour que la machine à glaçons produise des nouveaux glaçons et jeter les 3 premiers lots de glaçons produits.
 - **Des glaçons entreposés depuis trop longtemps peuvent développer un mauvais goût** - Jeter les glaçons. Laver le bac à glaçons. Attendre 24 heures pour la fabrication de nouveaux glaçons.
 - **L'odeur de certains aliments s'est transférée aux glaçons** - Utiliser des emballages hermétiques et à l'épreuve de l'humidité pour conserver les aliments.
 - **L'eau contient des minéraux (tels le soufre)** - L'installation d'un filtre à eau peut être requise afin d'enlever ces minéraux.
-

ACCESSOIRES

Les accessoires de réfrigérateur suivants sont disponibles. Pour commander, nous contacter et demander les numéros de pièces.

Aux É.-U., consulter notre page Web www.whirlpool.com/accessoires ou composer le **1-800-901-2042**.

Au Canada, consulter notre page Web www.whirlpoolparts.ca ou composer le **1-800-807-6777**.

Nettoyant et poli pour acier inoxydable affresh® :

Aux É.-U., commander la pièce numéro W10355016
Au Canada, commander la pièce numéro W10355016B

Lingettes pour acier inoxydable affresh® :

Aux É.-U., commander la pièce numéro W10355049
Au Canada, commander la pièce numéro W10355049B

Nettoyant pour appareil ménager et cuisine affresh® :

Aux É.-U., commander la pièce numéro W10355010
Au Canada, commander la pièce numéro W10355010B

GARANTIE LIMITÉE DES GROS APPAREILS MÉNAGERS WHIRLPOOL®

ATTACHEZ ICI VOTRE REÇU DE VENTE. UNE PREUVE D'ACHAT EST OBLIGATOIRE POUR OBTENIR L'APPLICATION DE LA GARANTIE.

Lorsque vous appelez le centre d'eXpérience de la clientèle, veuillez garder à disposition les renseignements suivants :

- Nom, adresse et numéro de téléphone
- Numéros de modèle et de série
- Une description claire et détaillée du problème rencontré
- Une preuve d'achat incluant le nom et l'adresse du marchand ou du détaillant

SI VOUS AVEZ BESOIN DE SERVICE :

1. Avant de nous contacter pour obtenir un dépannage, veuillez déterminer si des réparations sont nécessaires pour votre produit. Certains problèmes peuvent être résolus sans intervention de dépannage. Prenez quelques minutes pour parcourir la section Dépannage ou Résolution de problèmes du guide d'utilisation et d'entretien, scannez le code QR ci-contre avec votre téléphone intelligent pour accéder à des ressources supplémentaires, ou rendez-vous sur le site <http://www.whirlpool.ca>.
2. Tout service sous garantie doit être effectué exclusivement par nos fournisseurs de dépannage autorisés Whirlpool. Aux É.-U. et au Canada, dirigez toutes vos demandes de service sous garantie au

Centre d'eXpérience de la clientèle Whirlpool

Aux É.-U., composer le 1-800-253-1301. Au Canada, composer le 1-800-807-6777.

Si vous résidez à l'extérieur du Canada et des 50 États des États-Unis, contactez votre marchand Whirlpool autorisé pour déterminer si une autre garantie s'applique.



<http://www.whirlpool.ca>

GARANTIE LIMITÉE DE UN AN

CE QUI EST COUVERT

Pendant un an à compter de la date d'achat, lorsque ce gros appareil ménager est installé, utilisé et entretenu conformément aux instructions jointes à ou fournies avec le produit, Whirlpool Corporation ou Whirlpool Canada, LP (ci-après désignées "Whirlpool") décidera à sa seule discrétion de remplacer le produit ou de couvrir le coût des pièces spécifiées par l'usine et de la main-d'œuvre nécessaires pour corriger les vices de matériaux ou de fabrication qui existaient déjà lorsque ce gros appareil ménager a été acheté. S'il est remplacé, l'appareil sera couvert pour la période restant à courir de la garantie limitée d'un an du produit d'origine.

LE SEUL ET EXCLUSIF RECOURS DU CLIENT DANS LE CADRE DE LA PRÉSENTE GARANTIE LIMITÉE CONSISTE EN LA RÉPARATION PRÉVUE PAR LA PRÉSENTE. Le service doit être fourni par une compagnie de service désignée par Whirlpool. Cette garantie limitée est valide uniquement aux États-Unis ou au Canada et s'applique exclusivement lorsque le gros appareil ménager est utilisé dans le pays où il a été acheté. La présente garantie limitée est valable à compter de la date d'achat initial par le consommateur. Une preuve de la date d'achat initial est exigée pour obtenir un dépannage dans le cadre de la présente garantie limitée.

CE QUI N'EST PAS COUVERT

1. Usage commercial, non résidentiel ou par plusieurs familles, ou non-respect des instructions de l'utilisateur, de l'opérateur ou des instructions d'installation.
2. Visite d'instruction à domicile pour montrer à l'utilisateur comment utiliser l'appareil.
3. Visites de service pour rectifier une installation ou un entretien fautifs du produit, une installation non conforme aux codes d'électricité ou de plomberie, ou la rectification de l'installation électrique ou de la plomberie du domicile (ex : câblage électrique, fusibles ou tuyaux d'arrivée d'eau du domicile).
4. Pièces consommables (ex : ampoules, batteries, filtres à air ou à eau, solutions de conservation, etc.).
5. Conversion de votre produit du gaz naturel ou du gaz de pétrole liquéfié.
6. Dommages causés par : accident, mésusage, abus, incendie, inondations, catastrophe naturelle ou l'utilisation de produits non approuvés par Whirlpool.
7. Réparations aux pièces ou systèmes dans le but de rectifier un dommage ou des défauts résultant d'une réparation, altération ou modification non autorisée faite à l'appareil.
8. Défauts d'apparence, notamment les éraflures, traces de choc, fissures ou tout autre dommage subi par le fini de l'appareil ménager, à moins que ces dommages ne résultent de vices de matériaux ou de fabrication et ne soient signalés à Whirlpool dans les 30 jours suivant la date d'achat.
9. Décoloration, rouille ou oxydation des surfaces résultant d'environnements caustiques ou corrosifs incluant des concentrations élevées de sel, un haut degré d'humidité ou une exposition à des produits chimiques (exemples non exhaustifs).
10. Perte d'aliments ou de médicaments due à la défaillance du produit.
11. Enlèvement ou livraison. Ce produit est conçu pour être réparé à l'intérieur du domicile.
12. Frais de déplacement et de transport pour le dépannage/la réparation dans une région éloignée où une compagnie de service Whirlpool autorisée n'est pas disponible.
13. Retrait ou réinstallation d'appareils inaccessibles ou de dispositifs préinstallés (ex : garnitures, panneaux décoratifs, plancher, meubles, îlots de cuisine, plans de travail, panneaux de gypse, etc.) qui entravent le dépannage, le retrait ou le remplacement du produit.
14. Service et pièces pour des appareils dont les numéros de série et de modèle originaux ont été enlevés, modifiés ou ne peuvent pas être facilement identifiés.

Le coût d'une réparation ou d'un remplacement dans le cadre de ces circonstances exclues est à la charge du client.

CLAUSE D'EXONÉRATION DE RESPONSABILITÉ AU TITRE DES GARANTIES IMPLICITES

LES GARANTIES IMPLICITES, Y COMPRIS LES GARANTIES APPLICABLES DE QUALITÉ MARCHANDE OU D'APTITUDE À UN USAGE PARTICULIER, SONT LIMITÉES À UN AN OU À LA PLUS COURTE PÉRIODE AUTORISÉE PAR LA LOI. Certains États et provinces ne permettent pas de limitation sur la durée des garanties implicites de qualité marchande ou d'aptitude à un usage particulier, de sorte que la limitation ci-dessus peut ne pas être applicable dans votre cas. Cette garantie vous confère des droits juridiques spécifiques et vous pouvez également jouir d'autres droits qui peuvent varier d'une juridiction à l'autre.

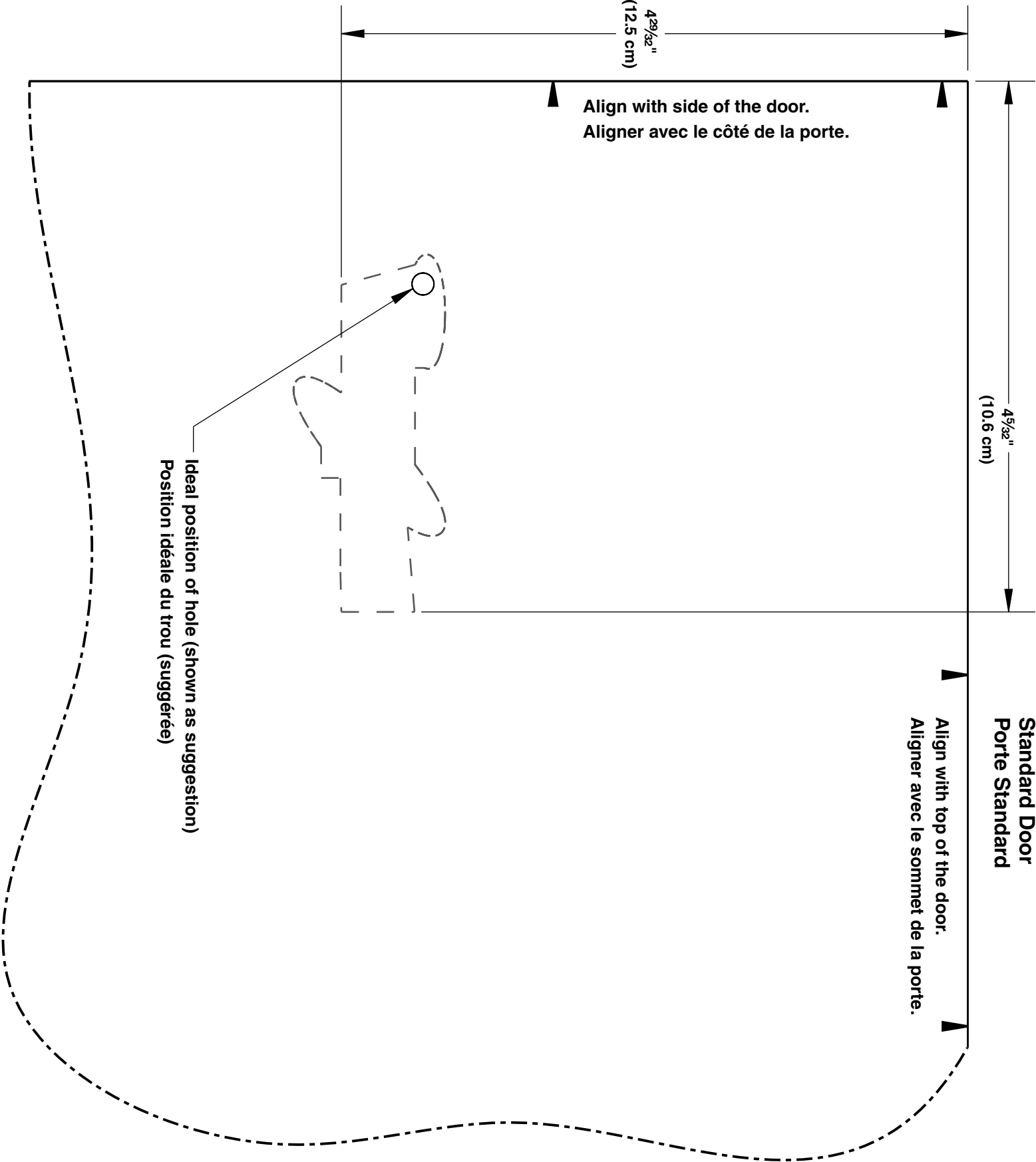
EXONÉRATION DE RESPONSABILITÉ DANS LES DOMAINES NON COUVERTS PAR LA GARANTIE

Whirlpool décline toute responsabilité au titre de la qualité, de la durabilité ou en cas de dépannage ou de réparation nécessaire sur ce gros appareil ménager autre que les responsabilités énoncées dans la présente garantie. Si vous souhaitez une garantie plus étendue ou plus complète que la garantie limitée fournie avec ce gros appareil ménager, adressez-vous à Whirlpool ou à votre détaillant pour obtenir les modalités d'achat d'une garantie étendue.

LIMITATION DES RECOURS; EXCLUSION DES DOMMAGES FORTUITS OU INDIRECTS

LE SEUL ET EXCLUSIF RECOURS DU CLIENT DANS LE CADRE DE LA PRÉSENTE GARANTIE LIMITÉE CONSISTE EN LA RÉPARATION PRÉVUE PAR LA PRÉSENTE. WHIRLPOOL N'ASSUME AUCUNE RESPONSABILITÉ POUR LES DOMMAGES FORTUITS OU INDIRECTS. Certains États et certaines provinces ne permettent pas l'exclusion ou la limitation des dommages fortuits ou indirects de sorte que ces limitations et exclusions peuvent ne pas être applicables dans votre cas. Cette garantie vous confère des droits juridiques spécifiques et vous pouvez également jouir d'autres droits qui peuvent varier d'une juridiction à l'autre.

Brand Badge Placement Template / Gabarit de positionnement de l'insigne de la marque



2 1/2"
(6.0 cm)

5"
(12.7 cm)

Contour Door
Porte Contour

Align with top of the door.
Aligner avec le sommet de la porte.

Align with side of the door.
Aligner avec le côté de la porte.

4 19/32"
(11.7 cm)

5 7/16"
(13.8 cm)

Ideal position of hole (shown as suggestion)
Position idéale du trou (suggérée)

