



see what Delta can do™

## BAR & PREP SINK FAUCETS

- Contemporary
- Single Handle Deck Mount

### STANDARD SPECIFICATIONS

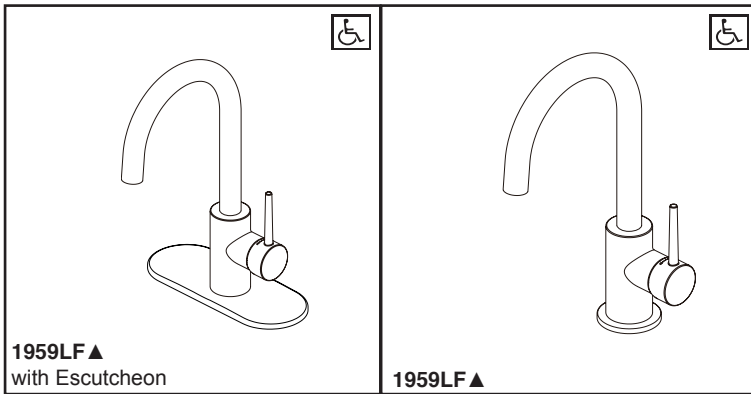
- One or three hole mount (escutcheon optional, not included)
- Max flow rate 1.5 gpm @ 60 psi, 6.6 L/min @ 414 kPa
- Solid brass fabricated body
- Spout rotates 120°
- Hot/Cold logo on handle to indicate temperature
- Ceramic disc cartridge
- 5/16" staggered copper supply lines with 1/2" adapters
- ADA compliant lever handle
- Order RP77702 for optional escutcheon
- Order RP1001 for coordinating soap dispenser

### WARRANTY

- Parts and Finish - Lifetime limited warranty; or for commercial purchasers, 10 years for multi-family residential (apartments and condominiums) and 5 years for all other commercial uses, in each case from the date of purchase.
- Electronic Parts and Batteries (if applicable) - 5 years from the date of purchase; or for commercial purchasers, 1 year from the date of purchase. No warranty is provided on batteries.

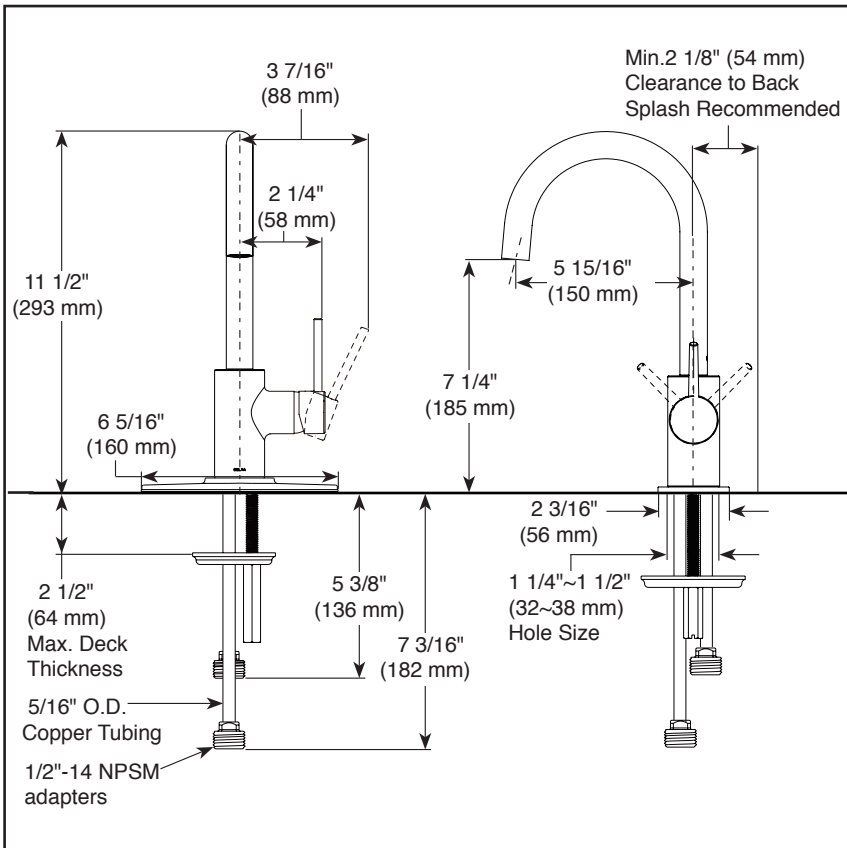
### COMPLIES WITH:

- ASME A112.18.1 / CSA B125.1
  - Indicates compliance to ICC/ANSI A117.1
- Verified compliant with .25% weighted average Pb content regulations.



Submitted Model No.: \_\_\_\_\_

Specific Features: \_\_\_\_\_



▲ Designate proper finish suffix

Delta reserves the right (1) to make changes in specifications and materials, and (2) to change or discontinue models, both without notice or obligation. Dimensions are for reference only. See current full-line price book or [www.deltafaucet.com](http://www.deltafaucet.com) for finish options and product availability.

### Delta Faucet Company

55 E. 111th Street, Indianapolis, IN 46280  
350 South Edgeware Road, St. Thomas, ON N5P 4L1  
© 2019 Delta Faucet Company