

SL2707

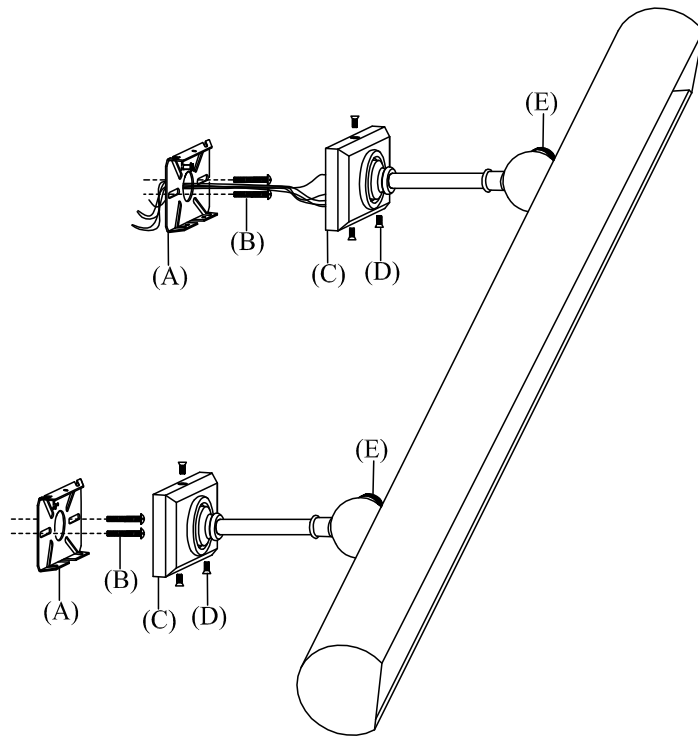
ASSEMBLY & INSTALLATION GUIDE

WE RECOMMEND INSTALLATION OF THIS LIGHTING FIXTURE BE DONE BY A LICENSED ELECTRICIAN.

WARNING * SWITCH OFF THE MAIN ELECTRICAL SUPPLY FROM THE MAIN FUSE BOX/CIRCUIT BREAKER BEFORE INSTALLATION.**

INSPECT ITEM CAREFULLY BEFORE ATTEMPTING TO INSTALL. IF THERE IS ANY DAMAGE OR OBVIOUS DEFECT, DO NOT INSTALL.

ITEM MAY NOT BE RETURNED ONCE IT HAS BEEN INSTALLED.



1. Remove mounting plates (A) from fixture bases (C) by unscrewing base screws (D).
2. Place fixture bases (C) over the affixed back plates (A) and mark outline of fixture bases (C). Use a level to make sure both bases are level. Remove the whole fixture from wall.
3. Affix mounting plates (A) to wall outlet box with mounting screws (B) provided.
4. Attach ground (green) wire to ground wire from wall outlet box (usually green or copper in color), fasten together with a plastic wire connector. Tightly wrap the wire connector with electrical tape so the end of the connector is sealed. IT IS IMPERATIVE THAT THE OUTLET BOX IN YOUR HOME BE PROPERLY GROUNDED.
5. Connect neutral (white) fixture wire coming from fixture base to neutral (usually white) outlet wire. Fasten both wires together with a plastic wire connector and tightly wrap the wire connector with electrical tape.
6. Repeat the procedure with the hot (black) wires. Always make sure that no wire strands are left outside the connectors. DO NOT REVERSE THE HOT AND NEUTRAL CONNECTIONS OR SAFETY WILL BE COMPROMISED.
7. Attach fixture bases (C) to mounting plates (A) and tighten with base screws (D).
8. Insert light bulbs into socket.
9. ADJUSTMENT INSTRUCTIONS:
 1. Loosen the adjustment keys (E).
 2. Adjust lamp shade to desired position.
 3. Tighten the adjustment keys (E).