

INDEX PAGE for 6” Wide Grates / Covers

[↕](#) - Click on “Item ID” to go to grate page, ‘Back to Index” will return you to this page.

<p>P6-AWGAluminum Wire Grate</p> <p>P6-BCDCircular Decorative, Bronze Grate</p> <p>P6-BDCSlotted Grate, Black Acid Resistant Epoxy Coated Ductile Iron</p> <p>P6-BDDDiagonal Decorative, Bronze Grate</p> <p>P6-BDESlotted Grate, Black Acid Resistant Epoxy Coated Ductile Iron</p> <p>P6-BDE-USASlotted Grate, Black Acid Resistant Epoxy Coated Ductile Iron</p> <p>P6-BGSlotted Bar Grate, Galvanized Ductile Iron</p> <p>P6-BZBronze Decorative Grate</p> <p>P6-DBGSlotted Bar Grate, Dura-Coated Ductile Iron</p> <p>P6-DCSolid Cover, Dura-Coated Ductile Iron</p> <p>P6-DCDCircular Decorative Grate, Ductile Iron</p> <p>P6-DCE-USASolid Cover, Dura-Coated Ductile Iron</p> <p>P6-DDDDiagonal Decorative Grate, Ductile Iron</p> <p>P6-DGCSlotted Grate, Ductile Iron</p> <p>P6-DGC-USASlotted Grate, Ductile Iron</p> <p>P6-DGESlotted Grate, Ductile Iron</p> <p>P6-DGE-USASlotted Grate, Ductile Iron</p> <p>P6-DOGOrnamental Grate, Ductile Iron</p> <p>P6-DTWDecorative Tidal Wave Grate, Ductile Iron</p> <p>P6-FGFabricated Slotted Grate, Galvanized Steel</p> <p>P6-FSSlotted Grate, Stainless Steel</p> <p>P6-GDC Slotted Grate, Galvanized Ductile Iron</p> <p>P6-GDC-USASlotted Grate, Galvanized Ductile Iron</p> <p>P6-GDE Slotted Grate, Galvanized Ductile Iron</p> <p>P6-GDE-USASlotted Grate, Galvanized Ductile Iron</p> <p>P6-GGSlotted Grate, Vinylester Fiberglass</p> <p>P6-GHPDHeel-Proof Slotted Grate, Galvanized Ductile Iron</p> <p>P6-GHPDEHeel-Proof Slotted Grate, Galvanized Ductile Iron</p> <p>P6-GHPDE-USAHeel-Proof Slotted Grate, Galvanized Ductile Iron</p> <p>P6-GMGGalvanized Mesh Screen Grate</p> <p>P6-HPBHeel-Proof Slotted Grate, Bronze</p> <p>P6-HPDHeel-Proof Slotted Grate, Ductile Iron</p> <p>P6-HPDE Heel-Proof Slotted Grate, Ductile Iron</p> <p>P6-HPDE-USAHeel-Proof Slotted Grate, Ductile Iron</p> <p>P6-HPPHeel-Proof Slotted Grate, High Density Polyethylene (HDPE)</p> <p>P6-HPSHeel-Proof Slotted Grate, Stainless Steel</p> <p>P6-LDLongitudinal Slotted Grate, Ductile Iron</p> <p>P6-NBZ-USANickel Bronze Decorative Grate</p> <p>P6-PDE-USAPerforated Decorative Grate, Ductile Iron</p> <p>P6-PGFabricated Perforated Grate, Galvanized Steel</p>	<p>P6-PGRWide Domestic Decorative Grate</p> <p>P6-PPCPerforated Plastic Class B Grate, Vinylester</p> <p>P6-PSFabricated Perforated Grate, Stainless Steel</p> <p>P6-PSRFabricated Raised Perforated Grate, Stainless Steel</p> <p>P6-RFGCReinforced Slotted Grate, Galv. Steel & Galv. Ductile Iron</p> <p>P6-RFSCReinforced Slotted Grate, Stainless Steel</p> <p>P6-RPGCReinforced Perforated Grate, Galvanized Steel & Galvanized Ductile Iron</p> <p>P6-RPGRCReinforced Perforated Grate, Galvanized Steel & Galvanized Ductile Iron</p> <p>P6-RPSCReinforced Perforated,Class C Grate, Stainless Steel</p> <p>P6-RPSRCReinforced Perforated Reverse Punch Grate, Stainless Steel</p> <p>P6-SBG.....Cast Bar Grate, Stainless Steel</p> <p>P6-SC.....Fabricated Stainless Steel Solid Cover</p> <p>P6-SCD.....Circular Decorative Grate, Stainless Steel</p> <p>P6-SDD.....Diagonal Decorative Grate, Stainless Steel</p> <p>P6-SMG.....Stainless Steel Mesh Screen Grate</p> <p>P6-SOGStainless Steel Ornamental Grate</p> <p>P6-SWG.....Stainless Steel Wire Grate</p> <p>P886-FGFFrame and Grate, Ductile Iron</p> <p>P886-FGF-USAFrame and Grate, Ductile Iron</p> <p>P886-GFG.....Frame and Grate, Galvanized Ductile Iron</p> <p>P886-GFG-USAFrame and Grate, Galvanized Ductile Iron</p> <p>P886-HDDFixed, Ductile Iron Grate</p> <p>P886-HRRemovable, Ductile Iron Frame and Grate</p> <p>P886-PVSPaver Slot Grate, Fabricated Steel</p> <p>P886-PVSGPaver Slot Grate, Fabricated Galvanized Steel</p> <p>P886-PVSSPaver Slot Grate, Fabricated Stainless Steel</p>
--	--

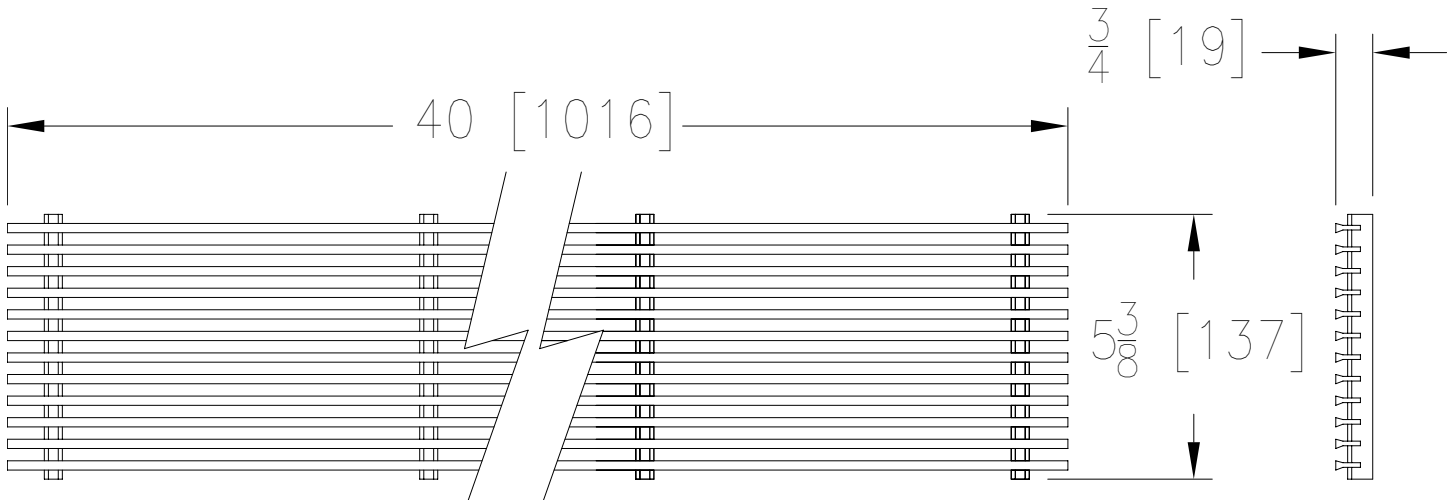


P6-AWG
6 [152] WIDE DOMESTIC GRATE

Design and Dimensional Data (inches and [mm]) are Subject to Manufacturing Tolerances and Change Without Notice

[Back to Index](#)

Please Check	Item No.	Part Number	Item I.D.
✓	1	94081	P6-AWG



AWG GRATE ENGINEERING SPECIFICATION: ZURN P6-AWG

40" [1016mm] X 5-3/8" [137mm] Aluminum wire grate, weighing .9 lbs per linear foot [1.3kg./m]. The grate has an open area of 37.5 in² per linear foot [794cm²/m], DIN rating of A, ANSI rating of Light-Duty, ADA Compliant, Aluminum members conform to ASTM specification 6061 u-chips conform to ASTM specification 5052.



AWG - Wire Grate	
Material:	Aluminum
DIN Rating:	Class A
Weight:	.9 lbs/ft. [1.3kg/m]
Open Area:	37.5 in ² /ft. [794cm ² /m]
ANSI Rating:	Light-Duty
Application:	Decorative Heel-Proof
Slot Width/Hole Size:	1/4" [6.4mm]
ADA:	Yes
H-20:	No
FAA:	No

- ⚠ **WARNING:** Cancer and Reproductive Harm - www.P65Warnings.ca.gov
- ⚠ **ADVERTENCIA:** Cáncer y daño reproductivo - www.P65Warnings.ca.gov
- ⚠ **AVERTISSEMENT:** Cancer et effets néfastes sur la reproduction - www.P65Warnings.ca.gov

Zurn Industries, LLC | Specification Drainage Operation
1801 Pittsburgh Avenue, Erie, PA 16502, Ph. 855.663.9876

In Canada | Zurn Industries Limited
7900 Goreway Drive, Unit 10, Brampton, Ontario L6T 5W6, Ph. 877.892.5216

www.zurn.com

Rev. AN
Date: 03/04/2022
C.N. No. 144345
Form # FT641



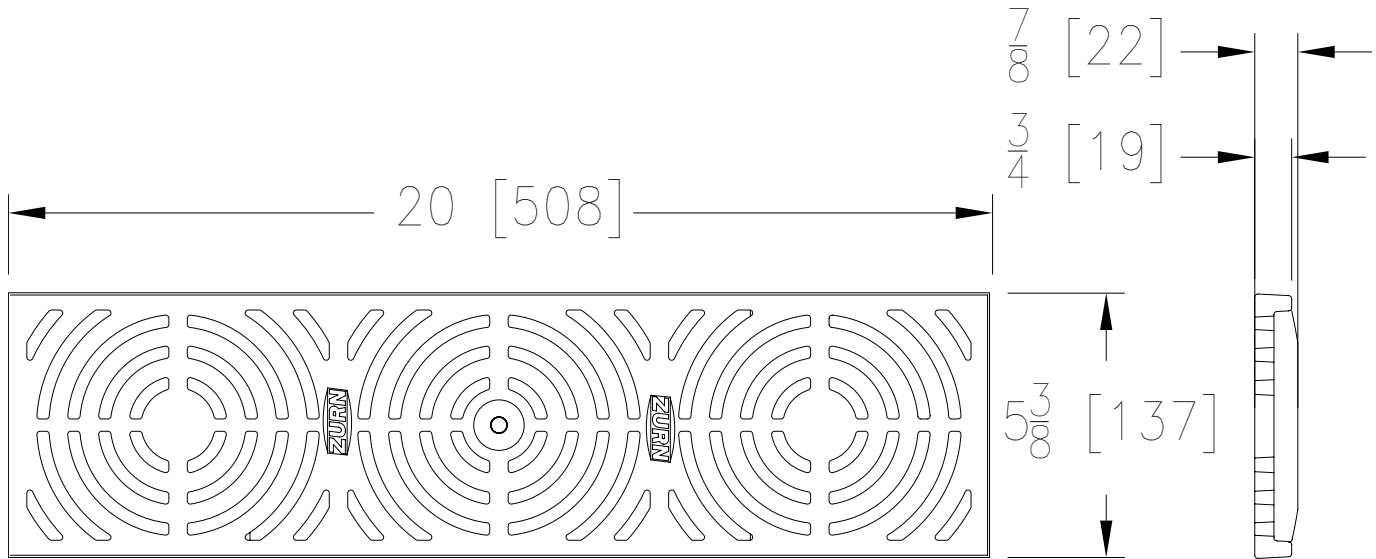
P6-BCD

6 [152] WIDE DECORATIVE GRATE

Design and Dimensional Data (inches and [mm]) are Subject to Manufacturing Tolerances and Change Without Notice

[Back to Index](#)

Please Check ✓	Item No.	Part Number	Item I.D.
	2	64255	P6-BCD



BCD GRATE ENGINEERING SPECIFICATION: ZURN P6-BCD

20" [508mm] X 5-3/8" [137mm] Bronze circular decorative grate, weighing 7.8 lbs per linear foot [11.5kg/m]. The grate has an open area of 17.6 in² per linear foot [372cm²/m]. The grate conforms to DIN rating of A, ANSI rating of Light-Duty, ADA compliant and ASTM B584 Copper Alloy NO. C844.

BCD - Circular Decorative	
Material:	Bronze
DIN Rating:	Class A
Weight:	7.8 lbs/ft. [11.5kg/m]
Open Area:	17.6 in ² /ft. [372cm ² /m]
ANSI Rating:	Light-Duty
Application:	Decorative Heel-Proof
Slot Width/Hole Size:	1/4" [6.4mm]
ADA:	Yes
H-20:	No
FAA:	No

⚠ **WARNING:** Cancer and Reproductive Harm - www.P65Warnings.ca.gov

⚠ **ADVERTENCIA:** Cáncer y daño reproductivo - www.P65Warnings.ca.gov

⚠ **AVERTISSEMENT:** Cancer et effets néfastes sur la reproduction - www.P65Warnings.ca.gov

Page 2 of 66

Zurn Industries, LLC | Specification Drainage Operation
1801 Pittsburgh Avenue, Erie, PA 16502, Ph. 855.663.9876

In Canada | Zurn Industries Limited
7900 Goreway Drive, Unit 10, Brampton, Ontario L6T 5W6, Ph. 877.892.5216

www.zurn.com

Rev. AN
Date: 03/04/2022
C.N. No. 144345
Form # FT641

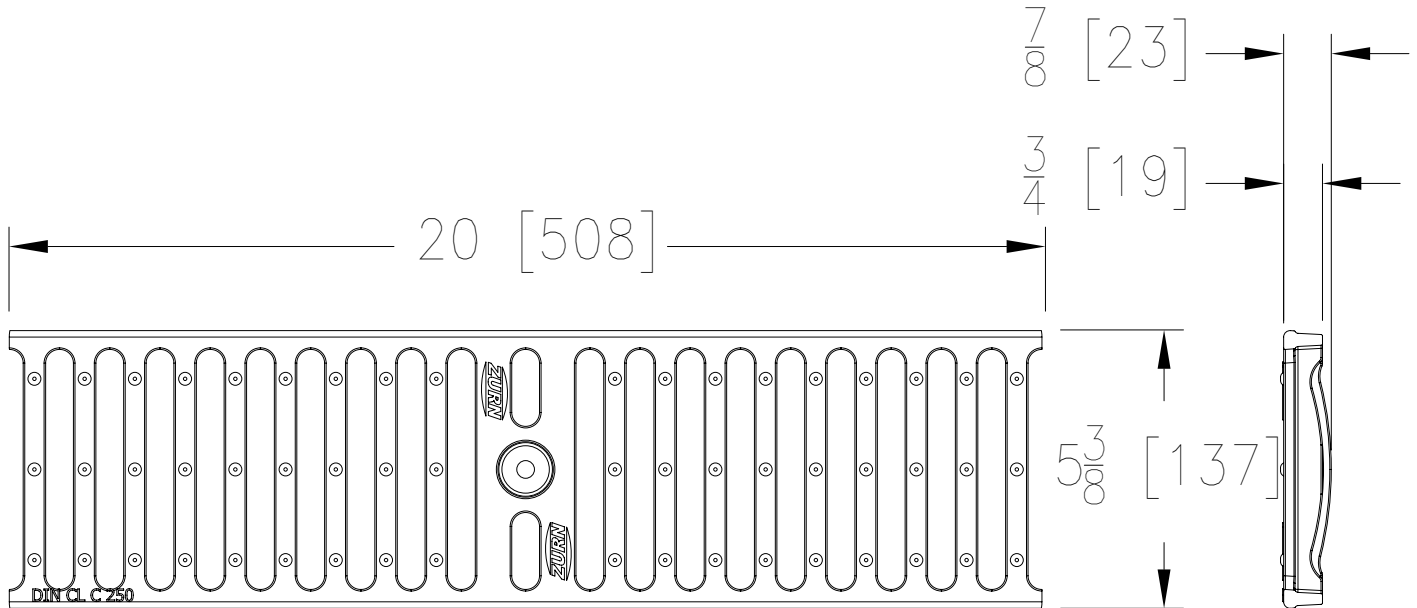


P6-BDC
6 [152] WIDE GRATE

Design and Dimensional Data (inches and [mm]) are Subject to Manufacturing Tolerances and Change Without Notice

[Back to Index](#)

Please Check ✓	Item No.	Part Number	Item I.D.
	3	94472	P6-BDC



BDC GRATE ENGINEERING SPECIFICATION: ZURN P6-BDC

20" [508mm] X 5-3/8" [137mm] Black acid resistant epoxy coated Ductile Iron slotted grate weighing 4.5 lbs per linear foot [6.5kg/m]. The grate has an open area of 28.2 in² per linear foot [594cm²/m]. Grate conforms to DIN rating of C, ANSI rating of Heavy-Duty, H-20 load rated and ASTM A536 Grade 80-55-06.

BDC - Black Acid Resistant Ductile	
Material:	Ductile Iron
DIN Rating:	Class C
Weight:	4.5 lbs/ft. [6.5kg/m]
Open Area:	28.2 in ² /ft. [594cm ² /m]
ANSI Rating:	Heavy-Duty
Application:	Dynamic Loads
Slot Width/Hole Size:	1/2" [12.7mm]
ADA:	No
H-20:	Yes
FAA:	No

⚠ **WARNING:** Cancer and Reproductive Harm - www.P65Warnings.ca.gov

⚠ **ADVERTENCIA:** Cáncer y daño reproductivo - www.P65Warnings.ca.gov

⚠ **AVERTISSEMENT:** Cancer et effets néfastes sur la reproduction - www.P65Warnings.ca.gov



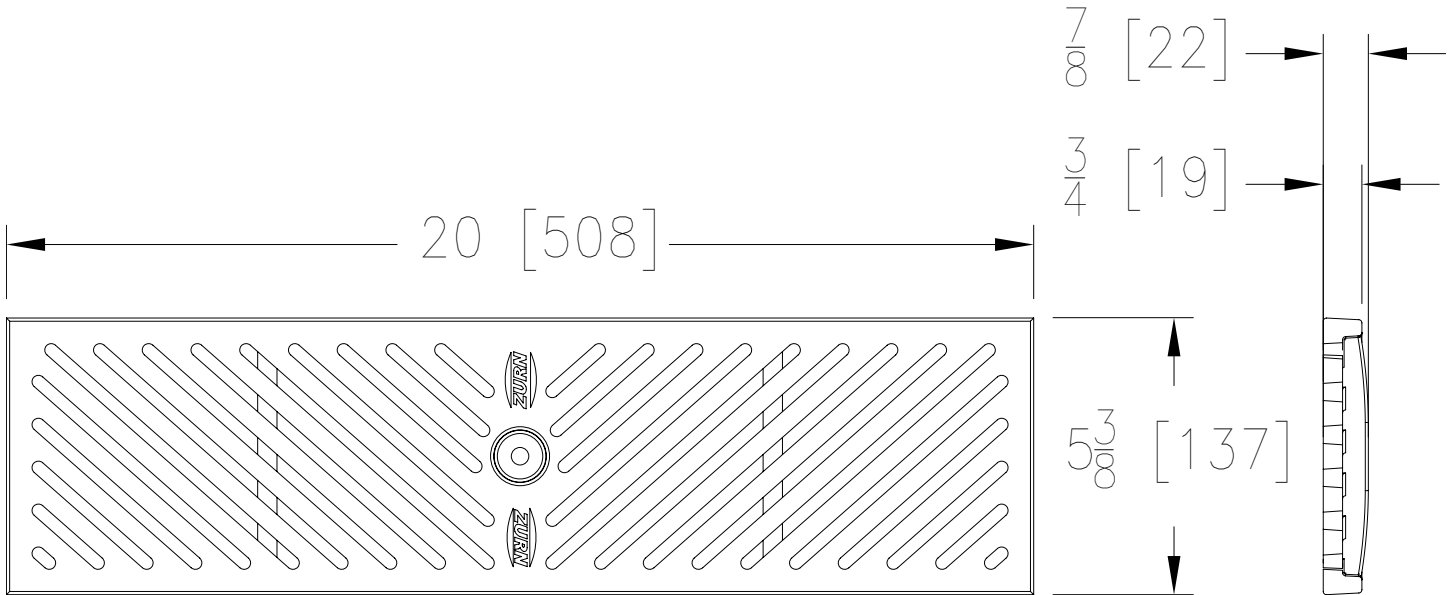
P6-BDD

6 152] WIDE DECORATIVE GRATE

Design and Dimensional Data (inches and [mm]) are Subject to Manufacturing Tolerances and Change Without Notice

[Back to Index](#)

Please Check ✓	Item No.	Part Number	Item I.D.
	4	67506	P6-BDD



BDD GRATE ENGINEERING SPECIFICATION: ZURN P6-BDD

20" [508mm] X 5-3/8" [137mm] Bronze diagonal decorative grate, weighing 6.9 lbs per linear foot [10.2kg/m]. The grate has an open area of 17.9 in² per linear foot [377cm²/m]. Grate conforms to DIN rating of A, ANSI rating of Light-Duty, ADA compliant and ASTM B584 Copper Alloy NO. C844.

BDD - Diagonal Decorative	
Material:	Bronze
DIN Rating:	Class A
Weight:	6.9 lbs/ft. [10.2kg/m]
Open Area:	17.9 in ² /ft. [377cm ² /m]
ANSI Rating:	Light-Duty
Application:	Heel-Proof, Pedestrian
Slot Width/Hole Size:	1/4" [6.4mm]
ADA:	Yes
H-20:	No
FAA:	No

⚠ WARNING: Cancer and Reproductive Harm - www.P65Warnings.ca.gov

⚠ ADVERTENCIA: Cáncer y daño reproductivo - www.P65Warnings.ca.gov

⚠ AVERTISSEMENT: Cancer et effets néfastes sur la reproduction - www.P65Warnings.ca.gov

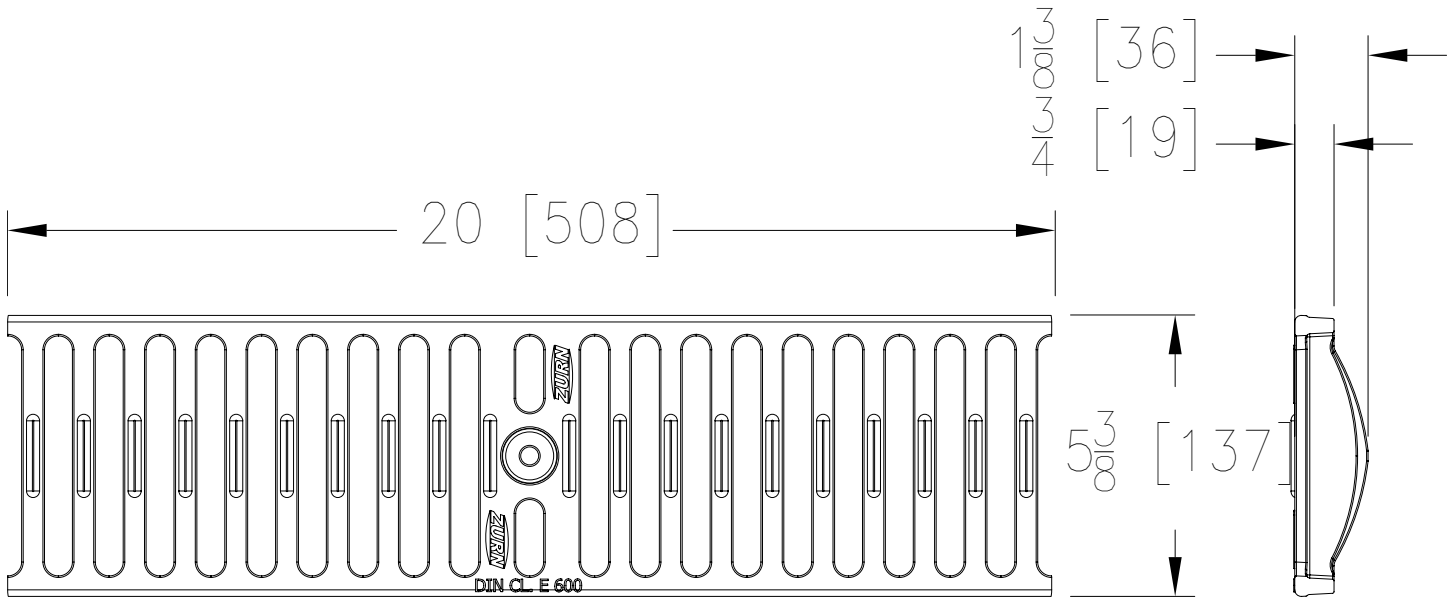


P6-BDE
6 [152] WIDE GRATE

Design and Dimensional Data (inches and [mm]) are Subject to Manufacturing Tolerances and Change Without Notice

[Back to Index](#)

Please Check ✓	Item No.	Part Number	Item I.D.
	5	94473	P6-BDE



BDE GRATE ENGINEERING SPECIFICATION: ZURN P6-BDE

20" [508mm] X 5-3/8" [137mm] Black acid resistant epoxy coated Ductile Iron slotted grate weighing 6.4 lbs per linear foot [9.5kg/m]. The grate has an open area of 28.2 in² per linear foot [594cm²/m]. Grate conforms to DIN rating of E, ANSI rating of Special-Duty, H-20 load rated, FAA load rated and ASTM A536 Grade 80-55-06.

BDE -Black Acid Resistant Ductile	
Material:	Ductile Iron
DIN Rating:	Class E
Weight:	6.4 lbs/ft. [9.5kg/m]
Open Area:	28.2 in ² /ft. [594cm ² /m]
ANSI Rating:	Special-Duty
Application:	Dynamic loads
Slot Width/Hole Size:	1/2" [12.7mm]
ADA:	No
H-20:	Yes
FAA:	Yes

⚠ **WARNING:** Cancer and Reproductive Harm - www.P65Warnings.ca.gov

⚠ **ADVERTENCIA:** Cáncer y daño reproductivo - www.P65Warnings.ca.gov

⚠ **AVERTISSEMENT:** Cancer et effets néfastes sur la reproduction - www.P65Warnings.ca.gov

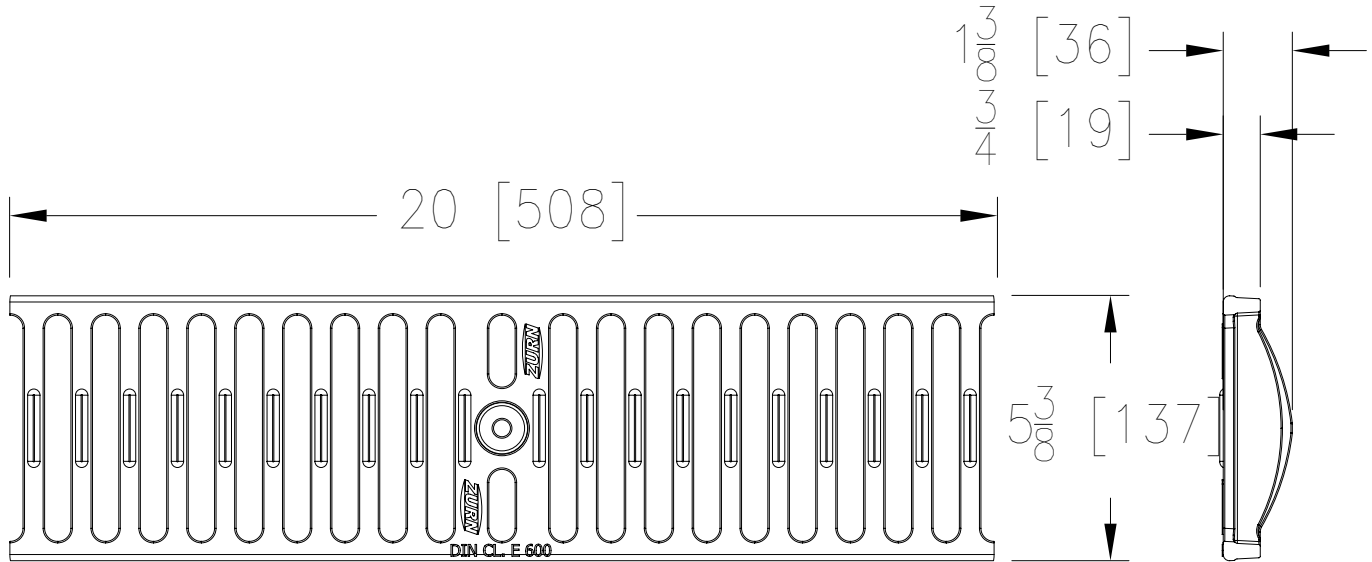


P6-BDE-USA
6 [152] WIDE DOMESTIC GRATE

Design and Dimensional Data (inches and [mm]) are Subject to Manufacturing Tolerances and Change Without Notice

[Back to Index](#)

Please Check ✓	Item No.	Part Number	Item I.D.
	6	94473	P6-BDE-USA



BDE-USA GRATE ENGINEERING SPECIFICATION: ZURN P6-BDE-USA

20" [508mm] X 5-3/8" [137mm] Black acid resistant epoxy coated Ductile Iron slotted grate weighing 6.4lbs per linear foot [9.5kg/m]. The grate has an open area of 28.2 in² per linear foot [594cm²/m]. Grate conforms to DIN rating of E, ANSI rating of Special-Duty, H-20 load rated, FAA load rated and ASTM A536 Grade 80-55-06.

BDE-USA -Black Acid Resistant	
Material:	Ductile Iron
DIN Rating:	Class E
Weight:	6.4 lbs/ft. [9.5kg/m]
Open Area:	28.2 in ² /ft. [594cm ² /m]
ANSI Rating:	Special-Duty
Application:	Dynamic loads
Slot Width/Hole Size:	1/2" [12.7mm]
ADA:	No
H-20:	Yes
FAA:	Yes



- ⚠ **WARNING:** Cancer and Reproductive Harm - www.P65Warnings.ca.gov
- ⚠ **ADVERTENCIA:** Cáncer y daño reproductivo - www.P65Warnings.ca.gov
- ⚠ **AVERTISSEMENT:** Cancer et effets néfastes sur la reproduction - www.P65Warnings.ca.gov

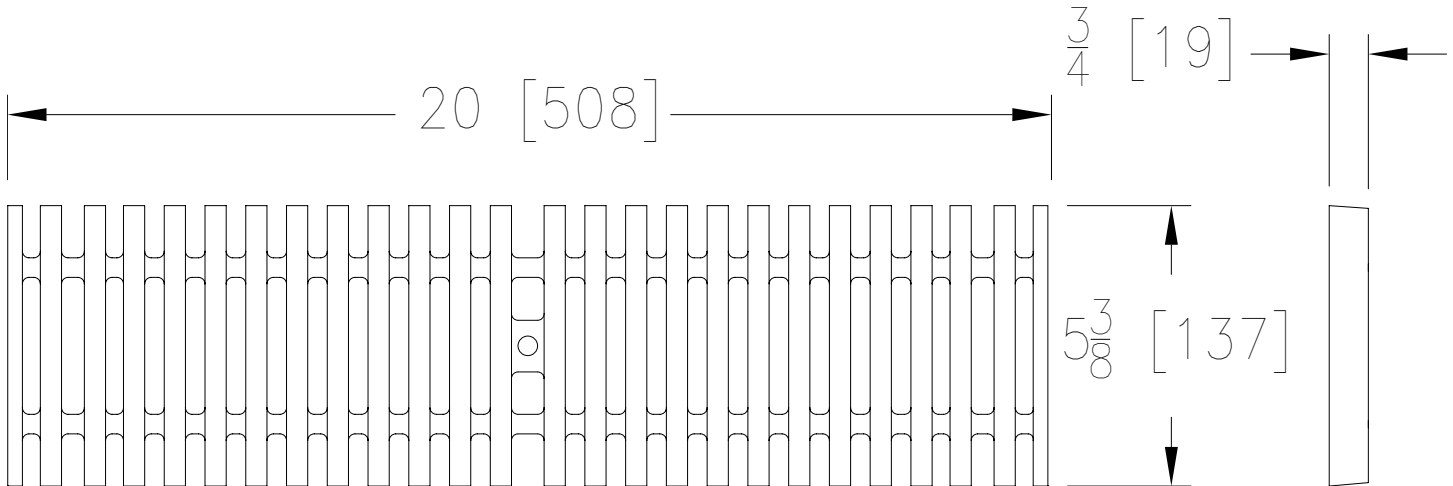


P6-BG
6 [152] WIDE GRATE

Design and Dimensional Data (inches and [mm]) are Subject to Manufacturing Tolerances and Change Without Notice

[Back to Index](#)

Please Check ✓	Item No.	Part Number	Item I.D.
	7	61025	P6-BG



BG GRATE ENGINEERING SPECIFICATION: The Zurn P6-BG

20" [508mm] X 5-3/8" [137mm] Galvanized ductile Iron slotted bar grate weighing 5.7 lbs per linear foot [8.5kg/m]. The grate has an open area of 23.9 in² per linear foot [505cm²/m]. Grate conforms to DIN rating of C, ANSI rating of Heavy-Duty, ADA compliant*, H-20 load rated, ASTM A536 Grade 80-55-06. Galvanized (hot dip) conforms to ASTM A123.

BG - Slotted Bar Grate	
Material:	Galvanized Ductile Iron
DIN Rating:	Class C
Weight:	5.7 lbs/ft. [8.5kg/m]
Open Area:	23.9 in ² /ft. [505cm ² /m]
ANSI Rating:	Heavy-Duty
Application:	Vehicle Traffic
Slot Width/Hole Size:	19/64" [7.5mm]
ADA:	Yes*
H-20:	Yes
FAA:	No

* Elongated openings must be placed perpendicular to the dominant direction of travel.

⚠ **WARNING:** Cancer and Reproductive Harm - www.P65Warnings.ca.gov

⚠ **ADVERTENCIA:** Cáncer y daño reproductivo - www.P65Warnings.ca.gov

⚠ **AVERTISSEMENT:** Cancer et effets néfastes sur la reproduction - www.P65Warnings.ca.gov



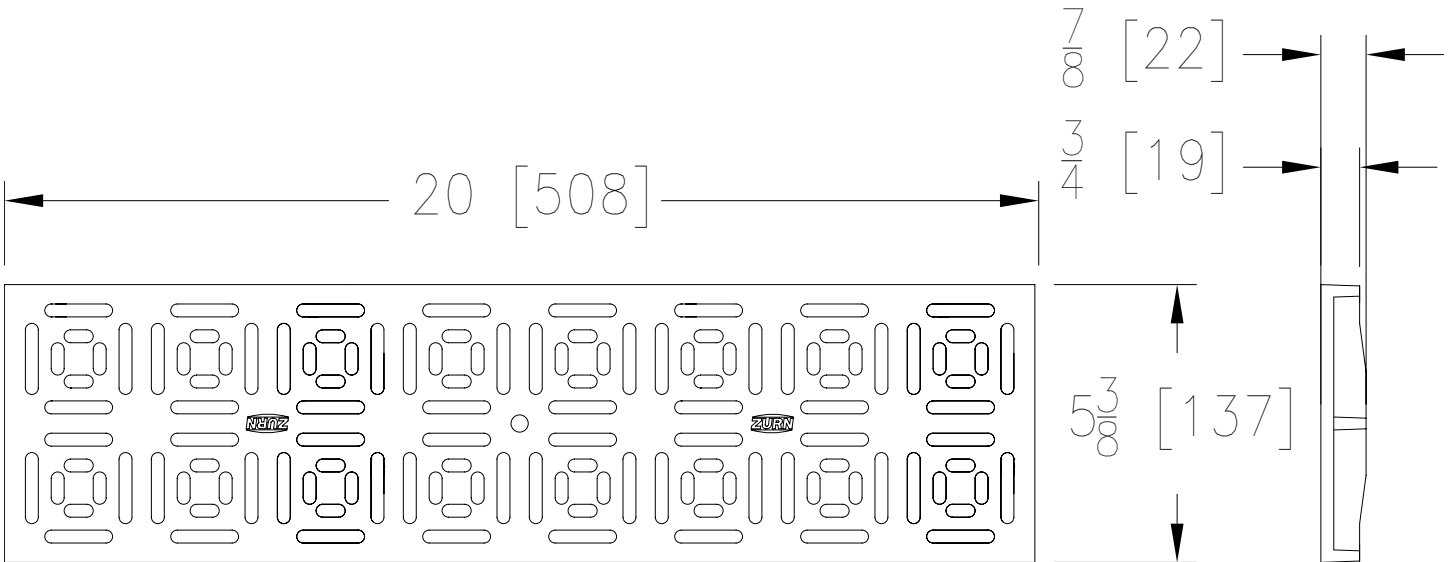
P6-BZ

6 [152] WIDE DOMESTIC DECORATIVE GRATE

Design and Dimensional Data (inches and [mm]) are Subject to Manufacturing Tolerances and Change Without Notice

[Back to Index](#)

Please Check ✓	Item No.	Part Number	Item I.D.
	8	64054	P6-BZ



BZ GRATE ENGINEERING SPECIFICATION: ZURN P6-BZ

20" [508mm] X 5-3/8" [137mm] Bronze decorative grate weighing 6.2 lbs per linear foot [9.2kg/m]. The grate has an open area of 16.9 in² per linear foot [357cm²/m]. Grate conforms to DIN rating of A, ANSI rating of Light-Duty, ADA compliant, ASTM B584 Copper Alloy NO. C844.



BZ - Bronze Decorative	
Material:	Bronze
DIN Rating:	Class A
Weight:	6.2 lbs/ft. [9.2kg/m]
Open Area:	16.9 in ² /ft. [357cm ² /m]
ANSI Rating:	Light-Duty
Application:	Decorative Heel-Proof Pedestrian
Slot Width/Hole Size:	1/4" [6.4mm]
ADA:	Yes
H-20:	No
FAA:	No

⚠ **WARNING:** Cancer and Reproductive Harm - www.P65Warnings.ca.gov

⚠ **ADVERTENCIA:** Cáncer y daño reproductivo - www.P65Warnings.ca.gov

⚠ **AVERTISSEMENT:** Cancer et effets néfastes sur la reproduction - www.P65Warnings.ca.gov

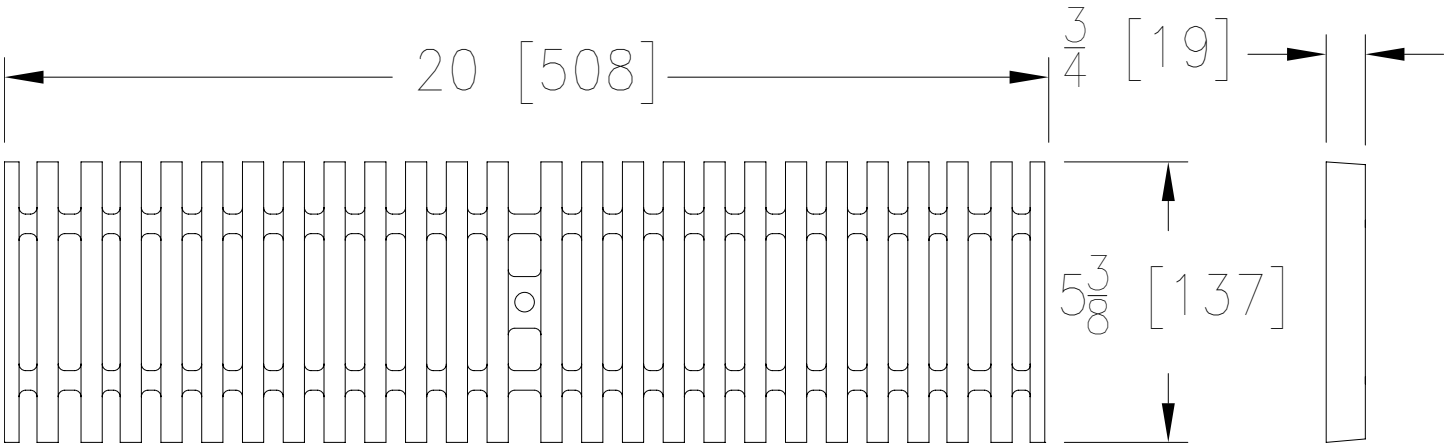


P6-DBG
6 [152] WIDE GRATE

Design and Dimensional Data (inches and [mm]) are Subject to Manufacturing Tolerances and Change Without Notice

[Back to Index](#)

Please Check ✓	Item No.	Part Number	Item I.D.
	9	61025	P6-DBG



DBG GRATE ENGINEERING SPECIFICATION: ZURN P6-DBG

20" [508mm] X 5-3/8" [137mm] Ductile Iron slotted bar Dura-coated grate weighing 5.7 lbs per linear foot [8.5kg/m]. The grate has an open area of 23.9 in² per linear foot [505cm²/m]. Grate conforms to DIN rating of C, ANSI rating of Heavy-Duty, ADA compliant*, H-20 load rated and ASTM A536 Grade 80-55-06.

DBG - Dura-Coated Bar Grate	
Material:	Ductile Iron
DIN Rating:	Class C
Weight:	5.7 lbs/ft. [8.5kg/m]
Open Area:	23.9 in ² /ft. [505cm ² /m]
ANSI Rating:	Heavy-Duty
Application:	Vehicle Traffic
Slot Width/Hole Size:	19/64" [7.5mm]
ADA:	Yes*
H-20:	Yes
FAA:	No

* Elongated openings must be placed perpendicular to the dominant direction of travel.

⚠ **WARNING:** Cancer and Reproductive Harm - www.P65Warnings.ca.gov

⚠ **ADVERTENCIA:** Cáncer y daño reproductivo - www.P65Warnings.ca.gov

⚠ **AVERTISSEMENT:** Cancer et effets néfastes sur la reproduction - www.P65Warnings.ca.gov

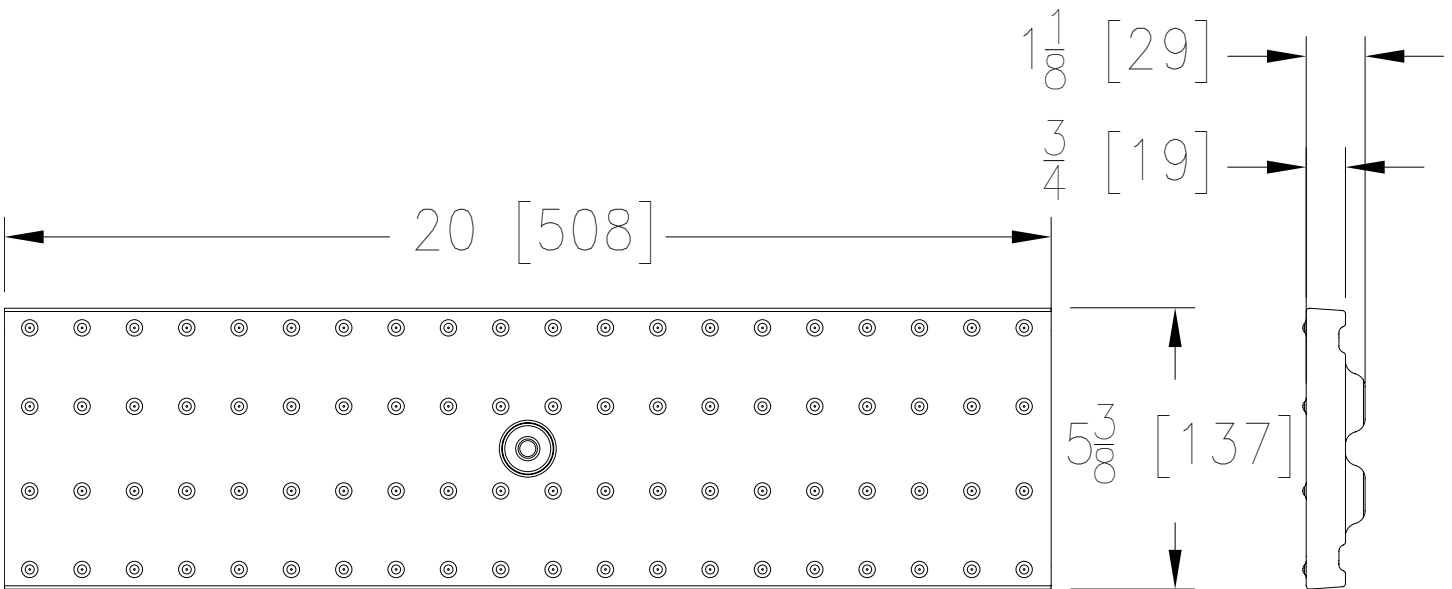


P6-DC
6 [152] Wide Cover

Design and Dimensional Data (inches and [mm]) are Subject to Manufacturing Tolerances and Change Without Notice

[Back to Index](#)

Please Check ✓	Item No.	Part Number	Item I.D.
	10	56780	P6-DC



DC GRATE ENGINEERING SPECIFICATION: ZURN P6-DC

20" [508mm] X 5-3/8" [137mm] Ductile Iron Dura-coated solid cover weighing 8 lbs per linear foot [11.8kg/m]. Grate conforms to DIN Rating of C, ANSI rating of Heavy-Duty, H-20 Load Rated, ADA compliant, and ASTM A536 Grade 80-55-06.

DC - Solid Cover	
Material:	Ductile Iron
DIN Rating:	Class C
Weight:	8 lbs/ft. [11.8kg/m]
Open Area:	N/A
ANSI Rating:	Heavy-Duty
Application:	Vehicle Traffic
Slot Width/Hole Size:	N/A
ADA:	Yes
H-22:	Yes
FAA:	No

⚠ WARNING: Cancer and Reproductive Harm - www.P65Warnings.ca.gov

⚠ ADVERTENCIA: Cáncer y daño reproductivo - www.P65Warnings.ca.gov

⚠ AVERTISSEMENT: Cancer et effets néfastes sur la reproduction - www.P65Warnings.ca.gov

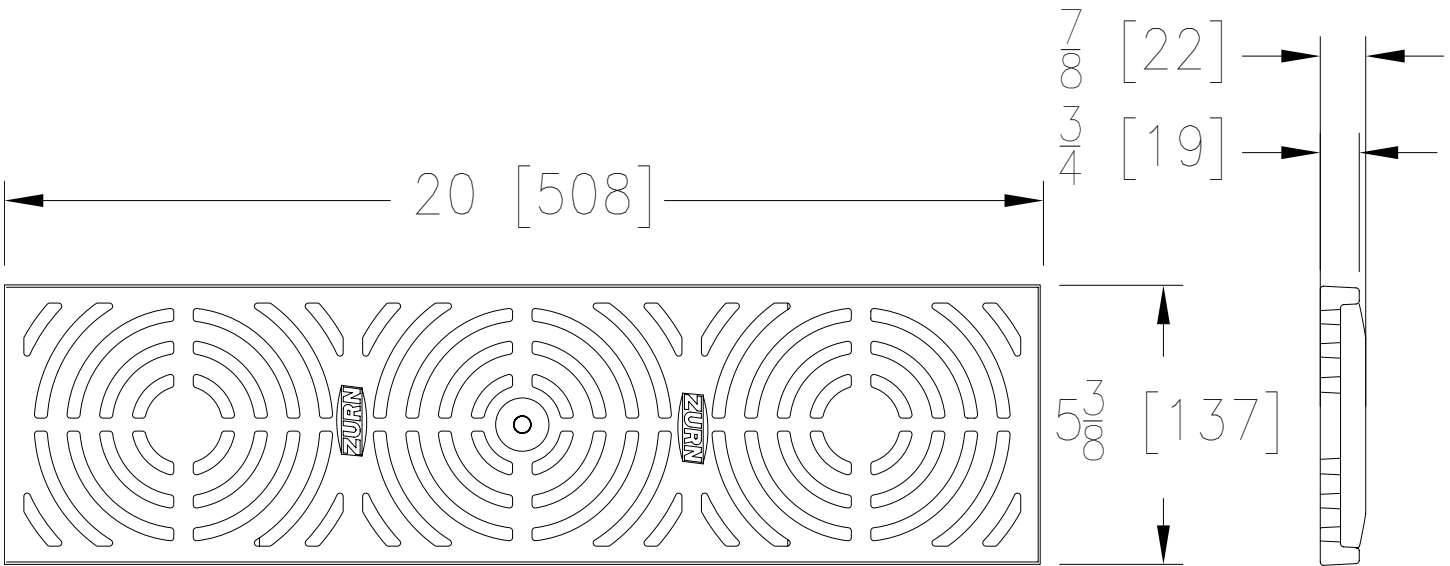


P6-DCD
24 [610] WIDE DECORATIVE GRATE

Design and Dimensional Data (inches and [mm]) are Subject to Manufacturing Tolerances and Change Without Notice

[Back to Index](#)

Please Check ✓	Item No.	Part Number	Item I.D.
	11	64255	P6-DCD



DCD GRATE ENGINEERING SPECIFICATION: ZURN P6-DCD

20" [508mm] X 5-3/8" [137mm] Ductile Iron circular decorative grate, weighing 6.3 lbs per linear foot [9.5kg/m]. The grate has an open area of 17.6 in² per linear foot [374cm²/m], DIN rating of C, ANSI rating of Heavy-Duty and ASTM A536 Grade 80-55-06.

DCD - Circular Decorative	
Material:	Ductile Iron
DIN Rating:	Class C
Weight:	6.3 lbs/ft. [9.5kg/m]
Open Area:	17.6 in ² /ft. [374cm ² /m]
ANSI Rating:	Heavy-Duty
Application:	Decorative Heel-Proof
Slot Width/Hole Size:	1/4" [6.4mm]
ADA:	Yes
H-20:	No
FAA:	No

⚠ **WARNING:** Cancer and Reproductive Harm - www.P65Warnings.ca.gov

⚠ **ADVERTENCIA:** Cáncer y daño reproductivo - www.P65Warnings.ca.gov

⚠ **AVERTISSEMENT:** Cancer et effets néfastes sur la reproduction - www.P65Warnings.ca.gov

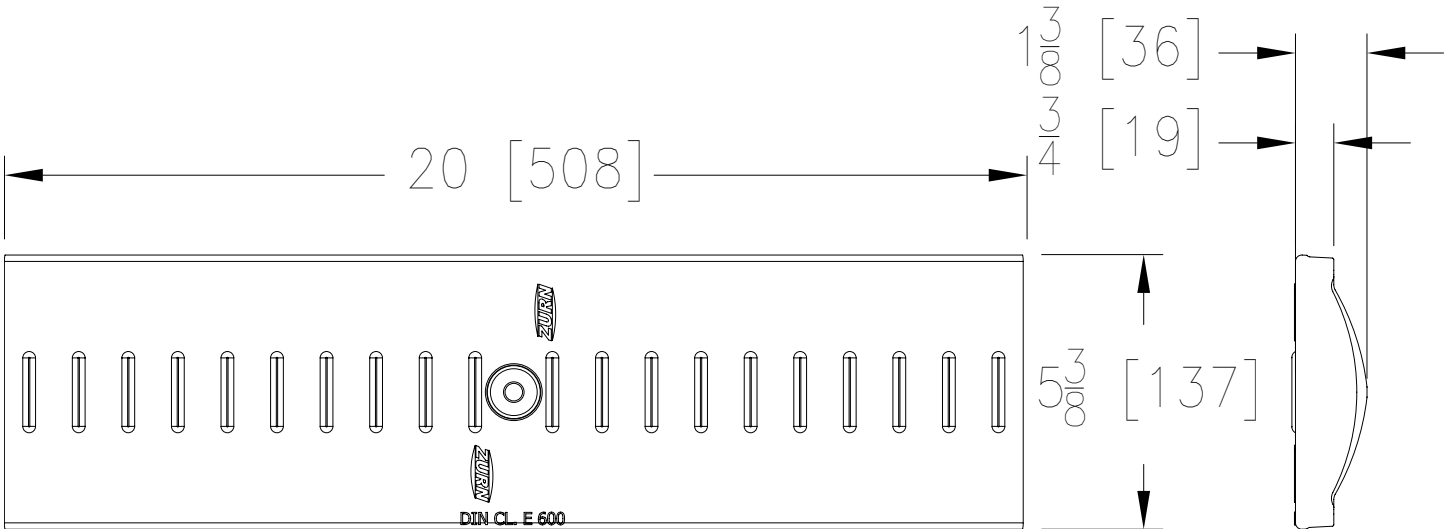


P6-DCE-USA
6 [152] WIDE DOMESTIC COVER

Design and Dimensional Data (inches and [mm]) are Subject to Manufacturing Tolerances and Change Without Notice

[Back to Index](#)

Please Check ✓	Item No.	Part Number	Item I.D.
	12	84474	P6-DCE-USA



DCE-USA GRATE ENGINEERING SPECIFICATION: ZURN P6-DCE-USA

20" [508mm] X 5-3/8" [137mm] Ductile Iron Dura-coated solid cover, weighing 8.0 lbs per linear foot [11.8kg/m]. Grate conforms to DIN rating of E, ANSI rating of Special-Duty, is H-20 & FAA load rated, ADA compliant and ASTM A536 Grade 80-55-06.

DCE-USA - Solid Cover	
Material:	Ductile Iron
DIN Rating:	Class E
Weight:	8.0lbs/ft. [11.8kg/m]
Open Area:	N/A
ANSI Rating:	Special Duty
Application:	Dynamic Loads
Slot Width/Hole Size:	N/A
ADA:	Yes
H-20:	Yes
FAA:	Yes



- ⚠ **WARNING:** Cancer and Reproductive Harm - www.P65Warnings.ca.gov
- ⚠ **ADVERTENCIA:** Cáncer y daño reproductivo - www.P65Warnings.ca.gov
- ⚠ **AVERTISSEMENT:** Cancer et effets néfastes sur la reproduction - www.P65Warnings.ca.gov

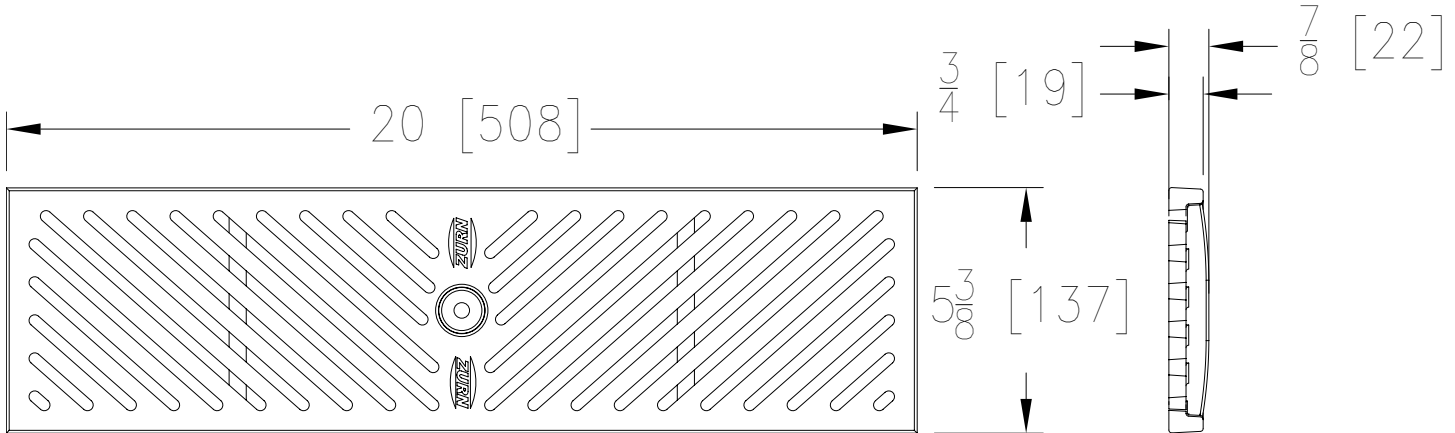


P6-DDD
6 [152] WIDE DECORATIVE GRATE

Design and Dimensional Data (inches and [mm]) are Subject to Manufacturing Tolerances and Change Without Notice

Please Check ✓	Item No.	Part Number	Item I.D.
	13	67506	P6-DDD

[Back to Index](#)



DDD GRATE ENGINEERING SPECIFICATION: ZURN P6-DDD

20" [508mm] X 5-3/8" [137mm] Ductile Iron diagonal decorative grate, weighing 5.5 lbs per linear foot [8.2kg/ m]. The grate has an open area of 17.9 in² per linear foot [377cm²/m]. Grate conforms to DIN rating of A, ANSI rating of Light-Duty, ADA compliant and ASTM A536 Grade 80-55-06.

DDD - Diagonal Decorative	
Material:	Ductile Iron
DIN Rating:	Class A
Weight:	5.5 lbs/ft. [8.2kg/m]
Open Area:	17.9 in ² /ft. [377cm ² /m]
ANSI Rating:	Light-Duty
Application:	Heel-Proof Pedestrian
Slot Width/Hole Size:	1/4" [6.4mm]
ADA:	Yes
H-20:	No
FAA:	No

⚠ **WARNING:** Cancer and Reproductive Harm - www.P65Warnings.ca.gov

⚠ **ADVERTENCIA:** Cáncer y daño reproductivo - www.P65Warnings.ca.gov

⚠ **AVERTISSEMENT:** Cancer et effets néfastes sur la reproduction - www.P65Warnings.ca.gov

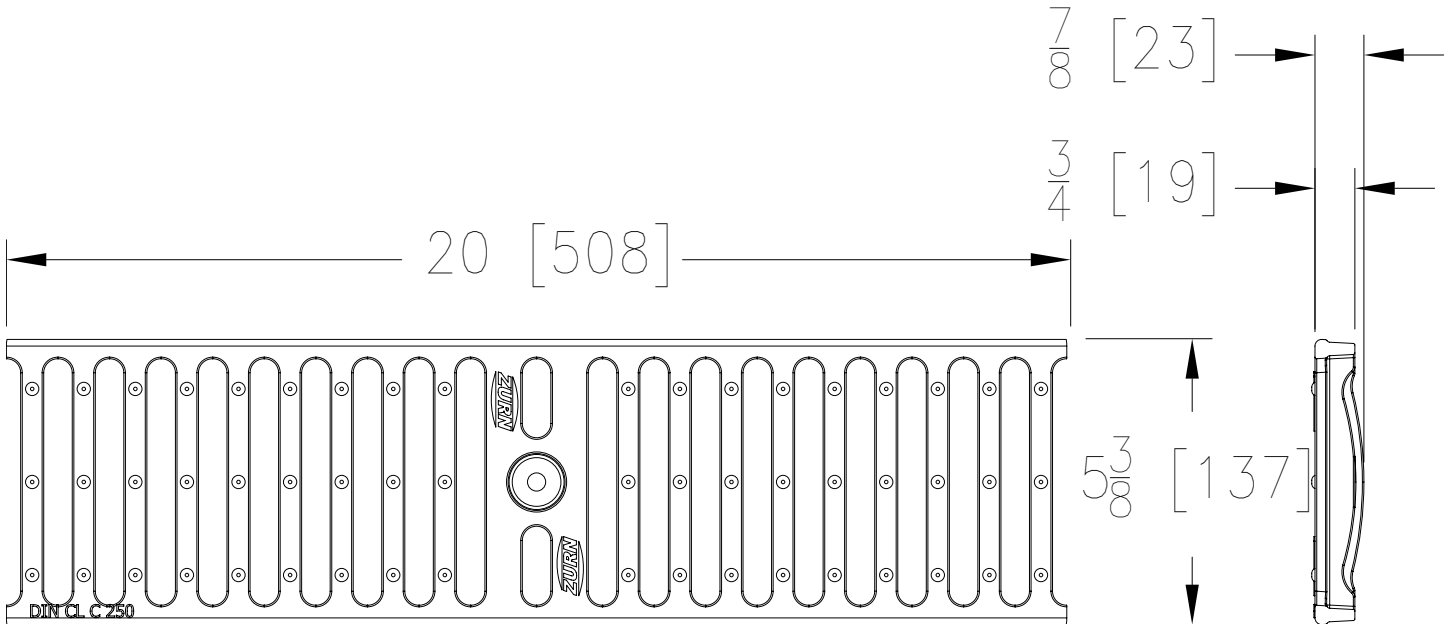


P6-DGC
6 [152] WIDE GRATE

Design and Dimensional Data (inches and [mm]) are Subject to Manufacturing Tolerances and Change Without Notice

[Back to Index](#)

Please Check ✓	Item No.	Part Number	Item I.D.
	14	94472	P6-DGC



DGC GRATE ENGINEERING SPECIFICATION: ZURN P6-DGC

20" [508mm] X 5-3/8" [137mm] Ductile Iron slotted grate weighing 4.5 lbs per linear foot [6.6kg/m]. The grate has an open area of 28.2 in² per linear foot [594cm²/m], DIN rating of C, ANSI rating of Heavy-Duty, H-20 load rated and ASTM A536 Grade 80-55-06.

DGC - Slotted Grate	
Material:	Ductile Iron
DIN Rating:	Class C
Weight:	4.5 lbs/ft. [6.6kg/m]
Open Area:	28.2 in ² /ft. [594cm ² /m]
ANSI Rating:	Heavy-Duty
Application:	Vehicle Traffic
Slot Width/Hole Size:	1/2" [12.7mm]
ADA:	No
H-20:	Yes
FAA:	No

⚠ **WARNING:** Cancer and Reproductive Harm - www.P65Warnings.ca.gov

⚠ **ADVERTENCIA:** Cáncer y daño reproductivo - www.P65Warnings.ca.gov

⚠ **AVERTISSEMENT:** Cancer et effets néfastes sur la reproduction - www.P65Warnings.ca.gov

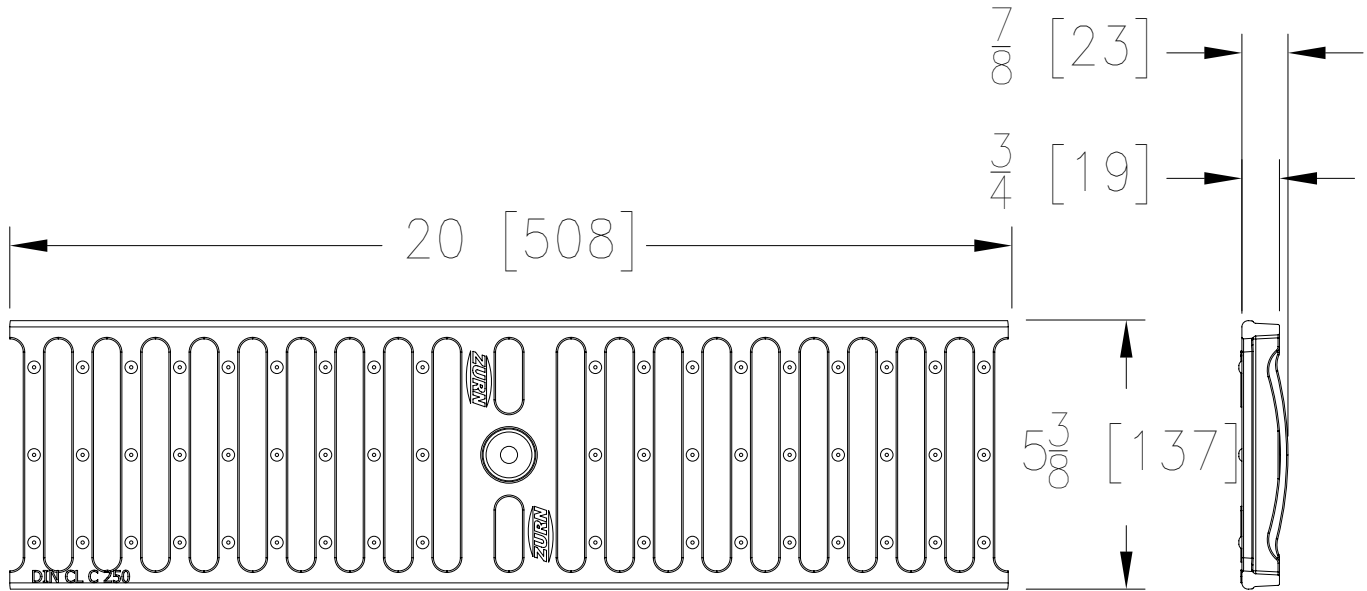


P6-DGC-USA
6 [152] WIDE DOMESTIC GRATE

Design and Dimensional Data (inches and [mm]) are Subject to Manufacturing Tolerances and Change Without Notice

Please Check ✓	Item No.	Part Number	Item I.D.
	15	94472	P6-DGC-USA

[Back to Index](#)



DGC-USA GRATE ENGINEERING SPECIFICATION: ZURN P6-DGC-USA

20" [508mm] X 5-3/8" [137mm] Ductile Iron slotted grate weighing 4.5 lbs per linear foot [6.6kg/m]. The grate has an open area of 28.2 in² per linear foot [594cm²/m]. Grate conforms to DIN rating of C, ANSI rating of Heavy-Duty, H-20 load rated and ASTM A536 Grade 80-55-06.

DGC-USA - Slotted Grate	
Material:	Ductile Iron
DIN Rating:	Class C
Weight:	4.5 lbs/ft. [6.6kg/m]
Open Area:	28.2 in ² /ft. [594cm ² /m]
ANSI Rating:	Heavy-Duty
Application:	Vehicle Traffic
Slot Width/Hole Size:	1/2" [12.7mm]
ADA:	No
H-20:	Yes
FAA:	No



- ⚠ **WARNING:** Cancer and Reproductive Harm - www.P65Warnings.ca.gov
- ⚠ **ADVERTENCIA:** Cáncer y daño reproductivo - www.P65Warnings.ca.gov
- ⚠ **AVERTISSEMENT:** Cancer et effets néfastes sur la reproduction - www.P65Warnings.ca.gov

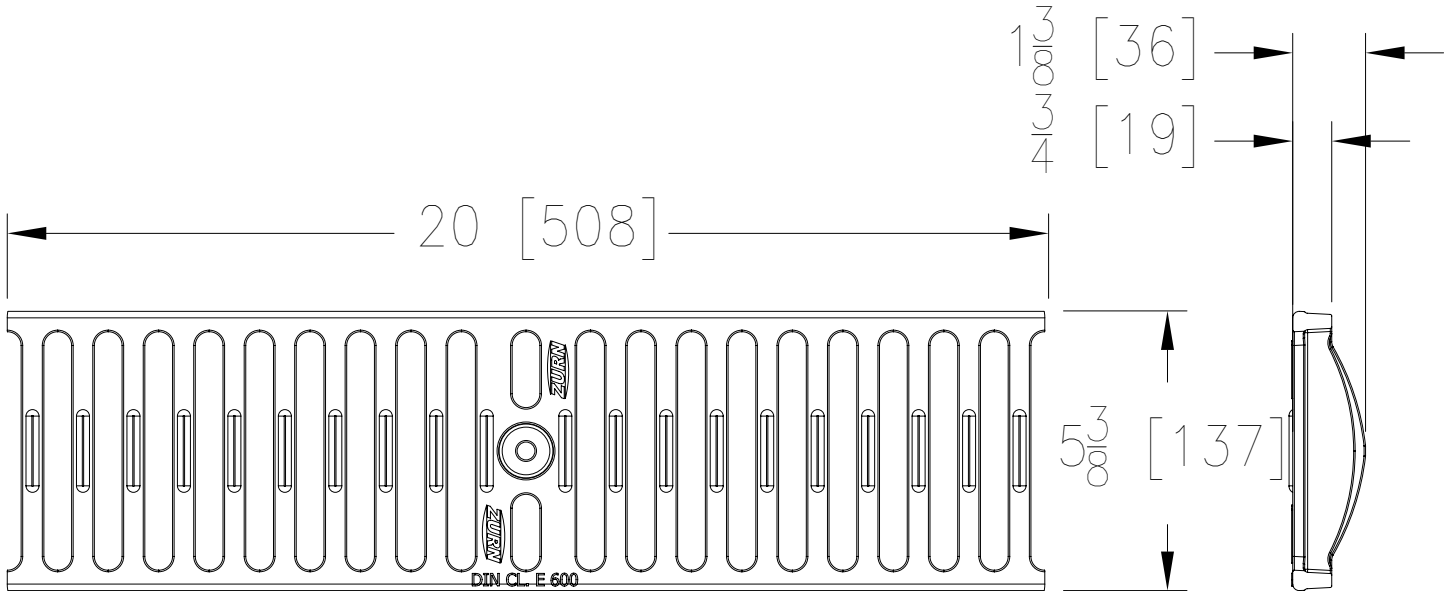


P6-DGE
6 [152] WIDE GRATE

Design and Dimensional Data (inches and [mm]) are Subject to Manufacturing Tolerances and Change Without Notice

Please Check ✓	Item No.	Part Number	Item I.D.
	16	94473	P6-DGE

[Back to Index](#)



DGE GRATE ENGINEERING SPECIFICATION: The Zurn P6-DGE

20" [508mm] X 5-3/8" [137mm] Ductile Iron slotted grate weighing 6.4 lbs per linear foot [9.5kg/m]. The grate has an open area of 28.2 in² per linear foot [594cm²/m]. Grate conforms to DIN rating of E, ANSI rating of Special-Duty, H-20 load rated, FAA load rated and ASTM A536 Grade 80-55-06.

DGE - Slotted Grate	
Material:	Ductile Iron
DIN Rating:	Class E
Weight:	6.4 lbs/ft. [9.5kg/m]
Open Area:	28.2 in ² /ft. [594cm ² /m]
ANSI Rating:	Special-Duty
Application:	Dynamic loads
Slot Width/Hole Size:	1/2" [12.7mm]
ADA:	No
H-20:	Yes
FAA:	Yes

⚠ **WARNING:** Cancer and Reproductive Harm - www.P65Warnings.ca.gov

⚠ **ADVERTENCIA:** Cáncer y daño reproductivo - www.P65Warnings.ca.gov

⚠ **AVERTISSEMENT:** Cancer et effets néfastes sur la reproduction - www.P65Warnings.ca.gov

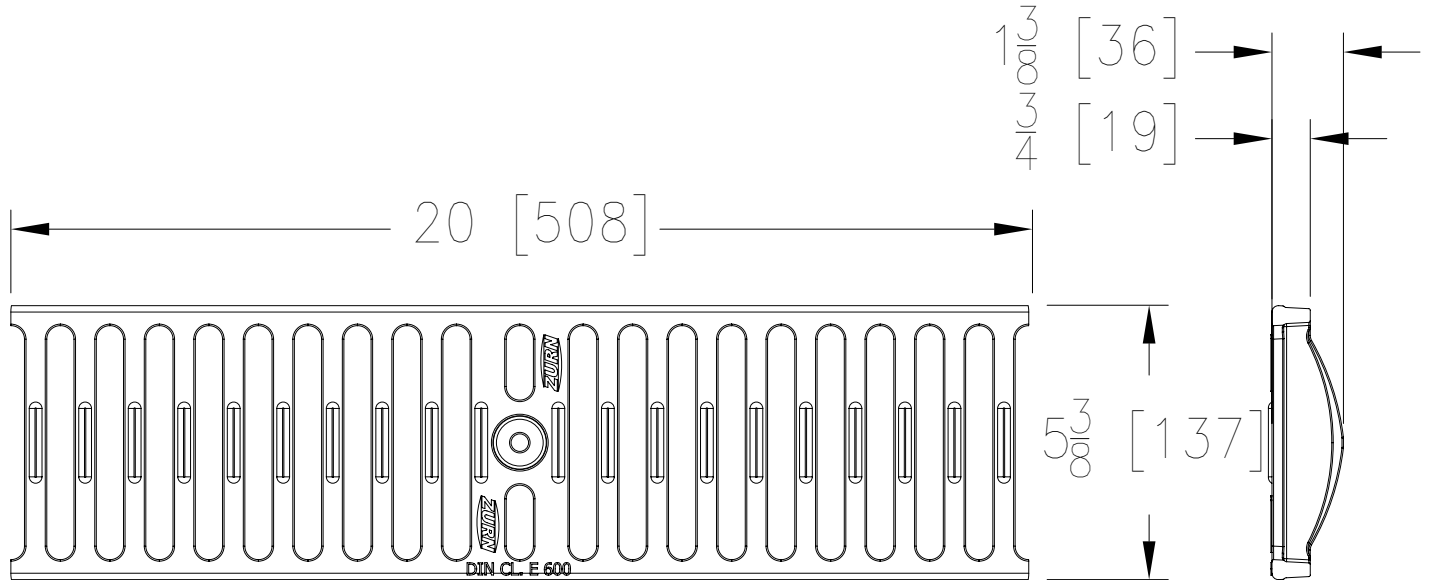


P6-DGE-USA
6 [152] WIDE DOMESTIC GRATE

Design and Dimensional Data (inches and [mm]) are Subject to Manufacturing Tolerances and Change Without Notice

Please Check ✓	Item No.	Part Number	Item I.D.
	17	94473	P6-DGE-USA

[Back to Index](#)



DGE-USA GRATE ENGINEERING SPECIFICATION: ZURN P6-DGE-USA

20" [508mm] X 5-3/8" [137mm] Ductile Iron slotted grate weighing 6.4 lbs per linear foot [9.5kg/m]. The grate has an open area of 28.2 in² per linear foot [594cm²/m]. Grate conforms to DIN rating of E, ANSI rating of Special-Duty, H-20 and FAA load rated. Grate conforms to ASTM A536 Grade 80-55-06.

DGE-USA - Slotted Grate	
Material:	Ductile Iron
DIN Rating:	Class E
Weight:	6.4 lbs/ft. [9.5kg/m]
Open Area:	28.2 in ² /ft. [594cm ² /m]
ANSI Rating:	Special-Duty
Application:	Dynamic loads
Slot Width/Hole Size:	1/2" [12.7mm]
ADA:	No
H-20:	Yes
FAA:	Yes



- ⚠ **WARNING:** Cancer and Reproductive Harm - www.P65Warnings.ca.gov
- ⚠ **ADVERTENCIA:** Cáncer y daño reproductivo - www.P65Warnings.ca.gov
- ⚠ **AVERTISSEMENT:** Cancer et effets néfastes sur la reproduction - www.P65Warnings.ca.gov



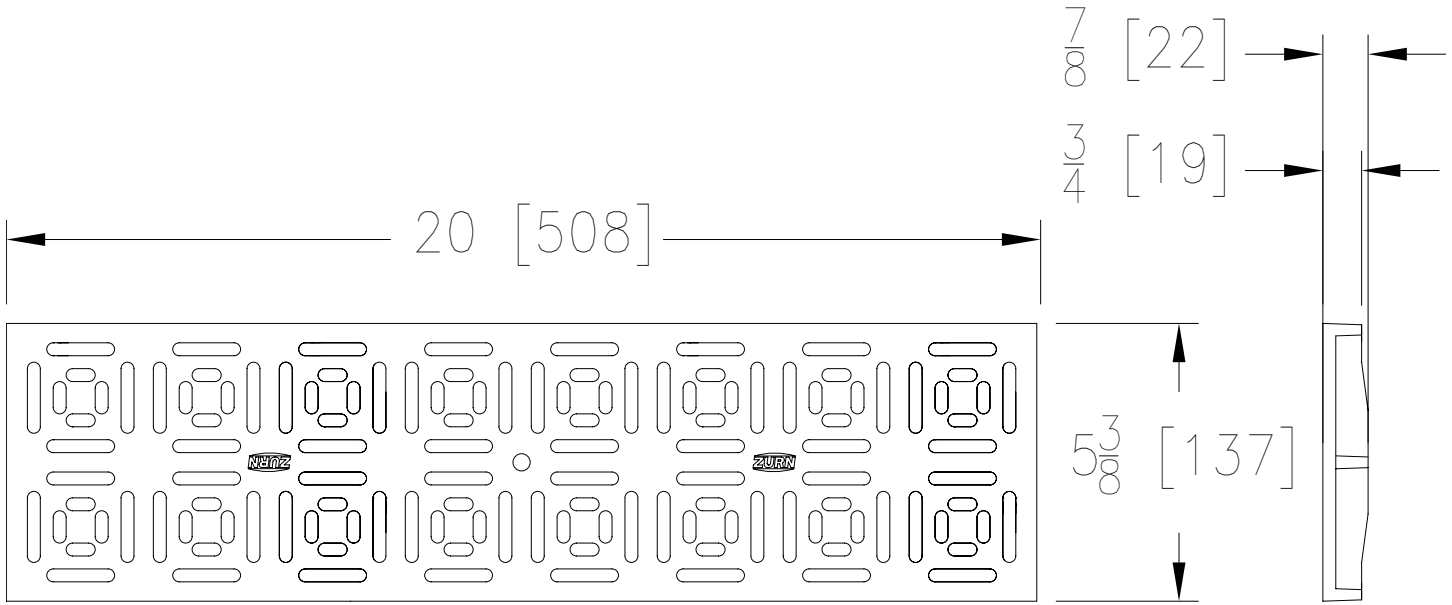
P6-DOG

6 [152] WIDE DECORATIVE GRATE

Design and Dimensional Data (inches and [mm]) are Subject to Manufacturing Tolerances and Change Without Notice

Please Check ✓	Item No.	Part Number	Item I.D.
	18	64054	P6-DOG

[Back to Index](#)



DOG GRATE ENGINEERING SPECIFICATION: ZURN P6-DOG

20" [508mm] X 5-3/8" [137mm] Ductile Iron ornamental grate weighing 4.9 lbs per linear foot [7.2kg/m]. The grate has an open area of 16.9 in² per linear foot [357cm²/m]. Grate conforms to DIN rating of B, ANSI rating of Medium-Duty, ADA compliant and ASTM A536 Grade 80-55-06.

DOG - Ornamental Grate	
Material:	Ductile Iron
DIN Rating:	Class B
Weight:	4.9 lbs/ft. [7.2kg/m]
Open Area:	16.9 in ² /ft. [357cm ² /m]
ANSI Rating:	Medium-Duty
Application:	Decorative Heel-Proof
Slot Width/Hole Size:	1/4" [6.4mm]
ADA:	YES
H-20:	No
FAA:	No

⚠ WARNING: Cancer and Reproductive Harm - www.P65Warnings.ca.gov

⚠ ADVERTENCIA: Cáncer y daño reproductivo - www.P65Warnings.ca.gov

⚠ AVERTISSEMENT: Cancer et effets néfastes sur la reproduction - www.P65Warnings.ca.gov



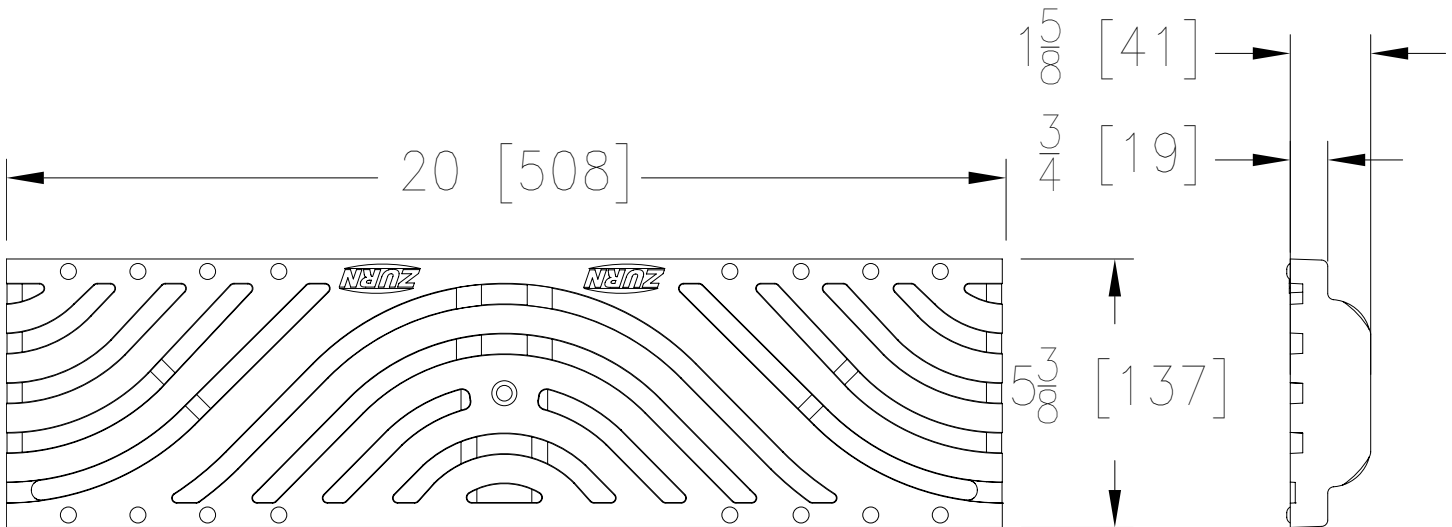
P6-DTW

6 [152] WIDE DECORATIVE GRATE

Design and Dimensional Data (inches and [mm]) are Subject to Manufacturing Tolerances and Change Without Notice

Please Check ✓	Item No.	Part Number	Item I.D.
	19	94069	P6-DTW

[Back to Index](#)



DTW GRATE ENGINEERING SPECIFICATION: ZURN P6-DTW

20" [508mm] X 5-3/8" [137mm] Ductile Iron decorative tidal wave grate weighing 8.1 lbs per linear foot [12.1kg/m]. The grate has an open area of 21.0 in² per linear foot [443cm²/m]. Grate conforms to DIN Rating of C, ANSI Rating of Heavy-Duty, ADA compliant, H20 load rated and ASTM A536 Grade 80-55-06.

DTW - Decorative Tidal Wave	
Material:	Ductile Iron
DIN Rating:	Class C
Weight:	8.1 lbs/ft. [12.1kg/m]
Open Area:	21.0 in ² /ft. [443cm ² /m]
ANSI Rating:	Heavy-Duty
Application:	Decorative
Slot Width/Hole Size:	13/32" [10mm]
ADA:	YES
H-20:	YES
FAA:	No

⚠ WARNING: Cancer and Reproductive Harm - www.P65Warnings.ca.gov

⚠ ADVERTENCIA: Cáncer y daño reproductivo - www.P65Warnings.ca.gov

⚠ AVERTISSEMENT: Cancer et effets néfastes sur la reproduction - www.P65Warnings.ca.gov

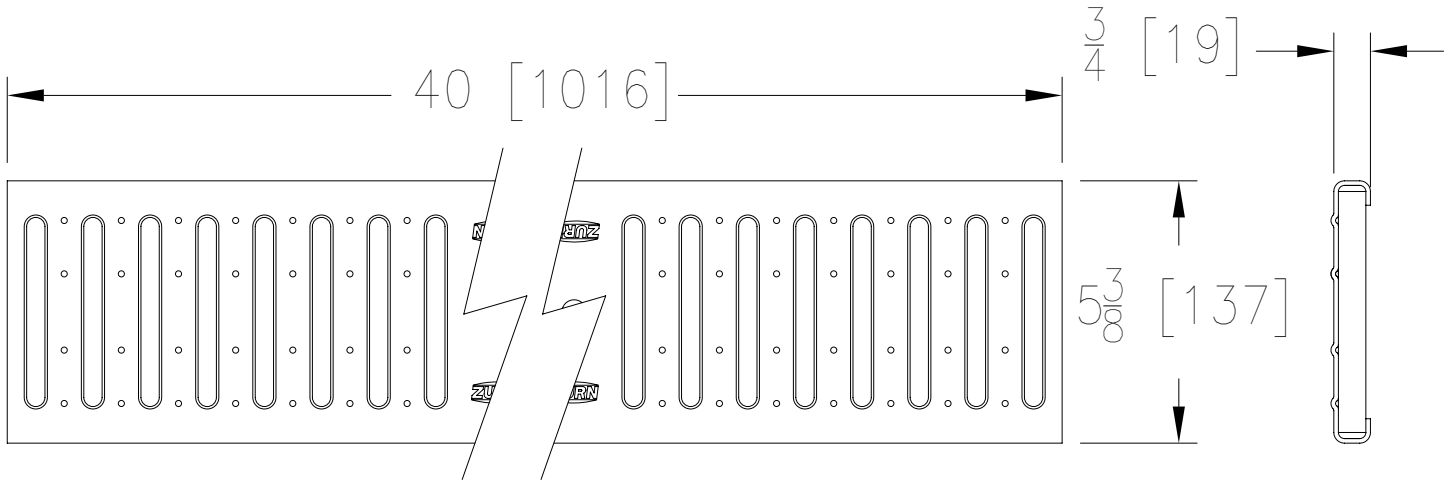


P6-FG
6 [152] WIDE DOMESTIC GRATE

Design and Dimensional Data (inches and [mm]) are Subject to Manufacturing Tolerances and Change Without Notice

Please Check ✓	Item No.	Part Number	Item I.D.
	20	64063	P6-FG

[Back to Index](#)



FG GRATE ENGINEERING SPECIFICATION: ZURN P6-FG

40" [1016mm] X 5-3/8" [137mm] Galvanized steel fabricated slotted grate weighing 1.7 lbs per linear foot [2.6kg/m]. The grate has an open area of 12.0 in² per linear foot [253cm²/m]. Grate conforms to DIN rating of A, ANSI rating of Light-Duty, and ADA compliant*. Galvanized skin conforms to ASTM A1011 or ASME A1008, Galvanizing conforms to ASTM A653, Galvanized Coating designation G60, and minimum spangle.

FG - Fabricated Slotted	
Material:	Galvanized Steel
DIN Rating:	Class A
Weight:	1.7 lbs/ft. [2.6kg/m]
Open Area:	12.0 in ² /ft. [253cm ² /m]
ANSI Rating:	Light-Duty
Application:	Pedestrian Traffic
Slot Width/Hole Size:	3/8" [9.5mm]
ADA:	Yes*
H-20:	No
FAA:	No



MADE IN THE USA

* Elongated openings must be placed perpendicular to the dominant direction of travel.

⚠ **WARNING:** Cancer and Reproductive Harm - www.P65Warnings.ca.gov

⚠ **ADVERTENCIA:** Cáncer y daño reproductivo - www.P65Warnings.ca.gov

⚠ **AVERTISSEMENT:** Cancer et effets néfastes sur la reproduction - www.P65Warnings.ca.gov

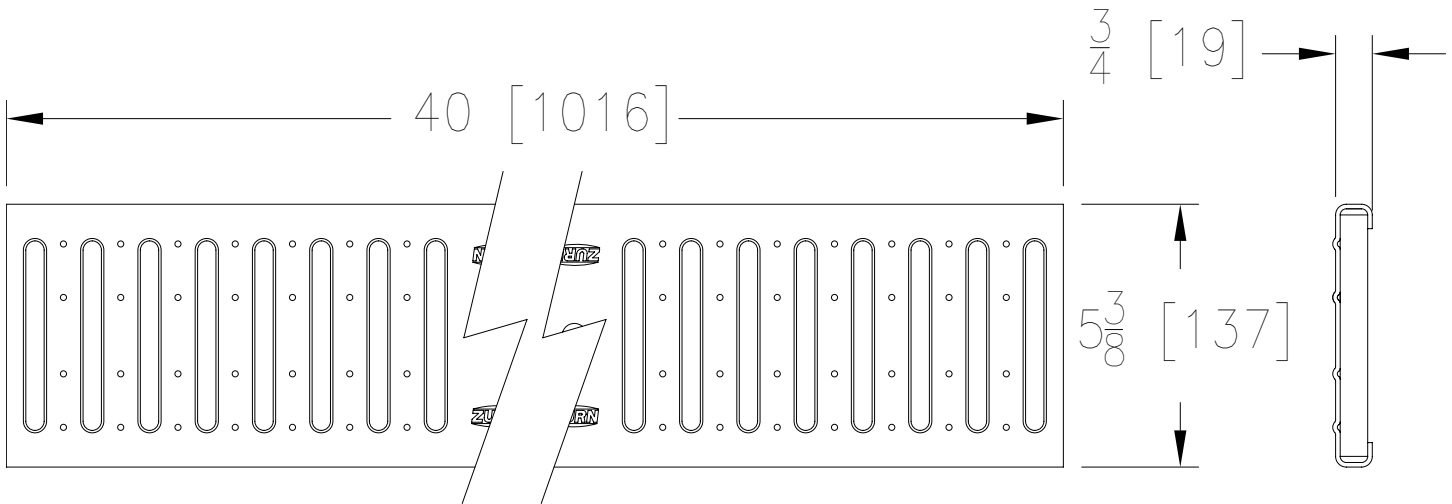


P6-FS
6 [152] WIDE DOMESTIC GRATE

Design and Dimensional Data (inches and [mm]) are Subject to Manufacturing Tolerances and Change Without Notice

Please Check ✓	Item No.	Part Number	Item I.D.
	21	64063	P6-FS

[Back to Index](#)



FS GRATE ENGINEERING SPECIFICATION: ZURN P6-FS

40" [1016mm] X 5-3/8" [137mm] Stainless steel fabricated slotted grate weighing 1.7 lbs per linear foot [2.6kg/m]. The grate has an open area of 12.0 in² per linear foot [253cm²/m]. Grate conforms to DIN rating of A, ANSI rating of Light-Duty, ADA compliant* and ASTM A-240 TYPE 304 (316 by request).

FS - Slotted	
Material:	Type 304 Stainless Steel
DIN Rating:	Class A
Weight:	1.7 lbs/ft. [2.6kg/m]
Open Area:	12.0 in ² /ft. [253cm ² /m]
ANSI Rating:	Light-Duty
Application:	Pedestrian Traffic
Slot Width/Hole Size:	3/8" [9.5mm]
ADA:	Yes*
H-20:	No
FAA:	No



* Elongated openings must be placed perpendicular to the dominant direction of travel.

- ⚠ **WARNING:** Cancer and Reproductive Harm - www.P65Warnings.ca.gov
- ⚠ **ADVERTENCIA:** Cáncer y daño reproductivo - www.P65Warnings.ca.gov
- ⚠ **AVERTISSEMENT:** Cancer et effets néfastes sur la reproduction - www.P65Warnings.ca.gov

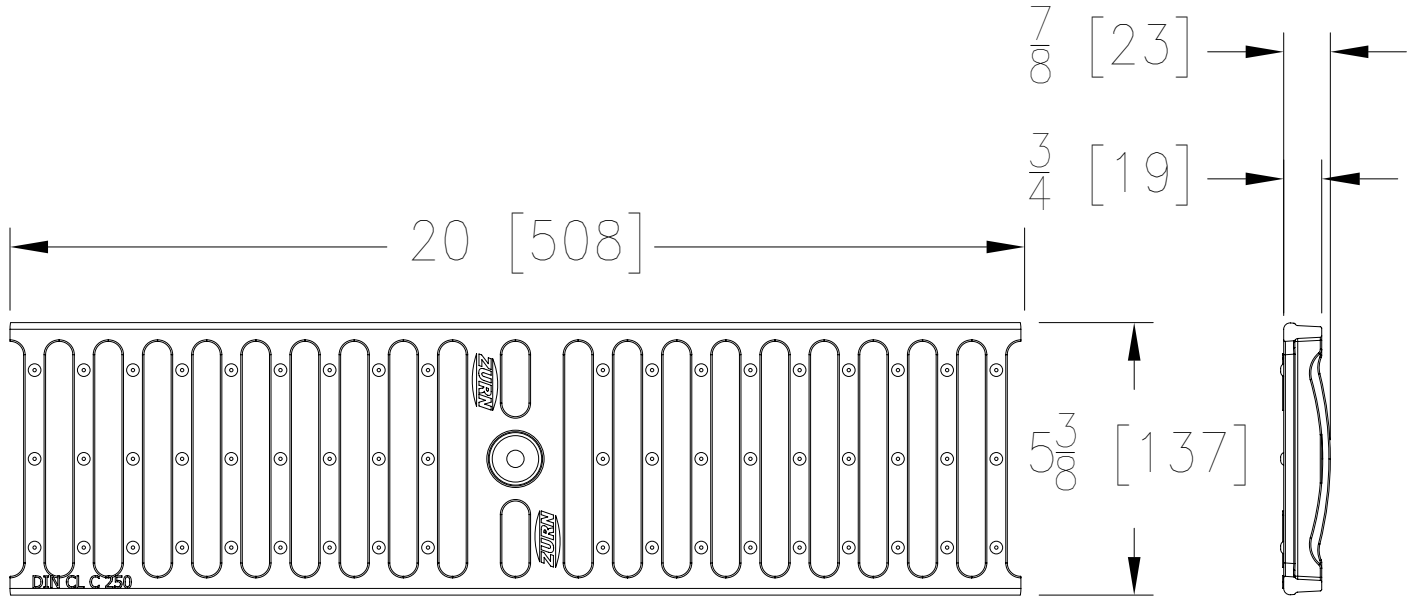


P6-GDC
6 [152] WIDE GRATE

Design and Dimensional Data (inches and [mm]) are Subject to Manufacturing Tolerances and Change Without Notice

Please Check ✓	Item No.	Part Number	Item I.D.
	22	94472	P6-GDC

[Back to Index](#)



GDC GRATE ENGINEERING SPECIFICATION: ZURN P6-GDC

20" [508mm] X 5-3/8" [137mm] Galvanized ductile Iron slotted grate weighing 4.5 lbs per linear foot [6.6kg/m]. The grate has an open area of 28.2 in² per linear foot [594cm²/m]. Grate conforms to DIN rating of C, ANSI rating of Heavy-Duty, H-20 load rating, and ASTM A536 Grade 80-55-06. Galvanized (hot dip) conforms to ASTM A123.

GDC - Slotted Grate	
Material:	Galvanized Ductile Iron
DIN Rating:	Class C
Weight:	4.5 lbs/ft. [6.6kg/m]
Open Area:	28.1 in ² /ft. [594cm ² /m]
ANSI Rating:	Heavy-Duty
Application:	Vehicle Traffic
Slot Width/Hole Size:	1/2" [12.7mm]
ADA:	No
H-20:	Yes
FAA:	No

⚠ **WARNING:** Cancer and Reproductive Harm - www.P65Warnings.ca.gov

⚠ **ADVERTENCIA:** Cáncer y daño reproductivo - www.P65Warnings.ca.gov

⚠ **AVERTISSEMENT:** Cancer et effets néfastes sur la reproduction - www.P65Warnings.ca.gov

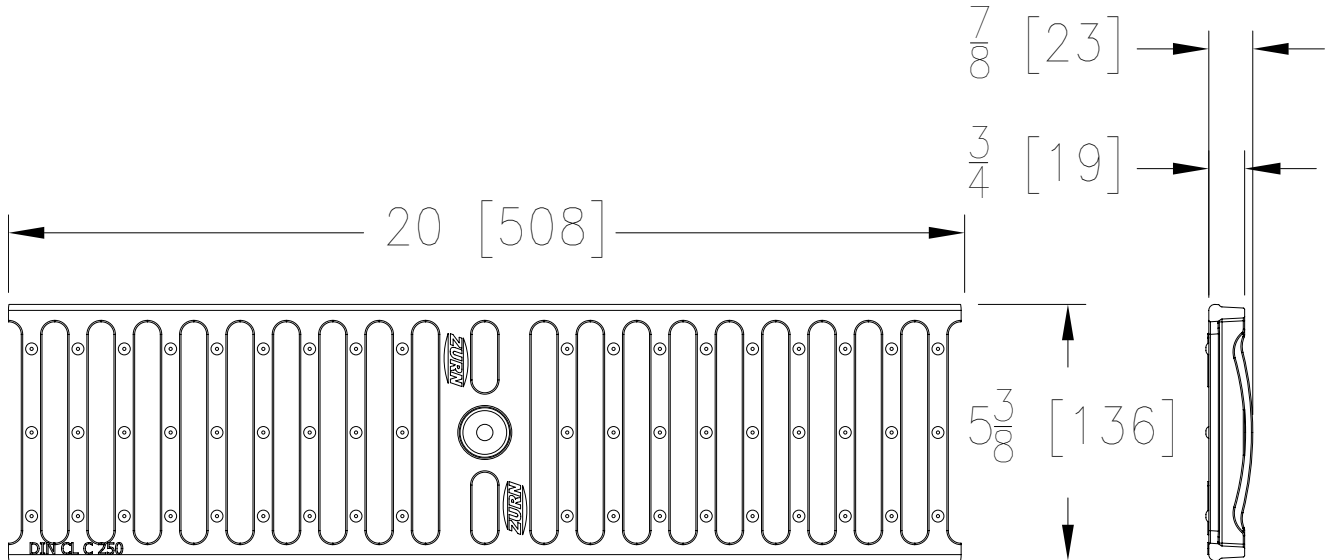


P6-GDC-USA
6 [152] WIDE DOMESTIC GRATE

Design and Dimensional Data (inches and [mm]) are Subject to Manufacturing Tolerances and Change Without Notice

Please Check ✓	Item No.	Part Number	Item I.D.
	23	94472	P6-GDC-USA

[Back to Index](#)



GDC-USA GRATE ENGINEERING SPECIFICATION: ZURN P6-GDC-USA

20" [508mm] X 5-3/8" [137mm] Galvanized ductile Iron slotted grate weighing 4.5 lbs per linear foot [6.6kg/m]. The grate has an open area of 28.2 in² per linear foot [594cm²/m]. Grate conforms to DIN rating of C, ANSI rating of Heavy-Duty, H-20 load rated and ASTM A536 Grade 80-55-06. Galvanized (hot dip) conforms to ASTM A123.

GDC-USA - Slotted Grate	
Material:	Galvanized Ductile Iron
DIN Rating:	Class C
Weight:	4.5 lbs/ft. [6.6kg/m]
Open Area:	28.1 in ² /ft. [594cm ² /m]
ANSI Rating:	Heavy-Duty
Application:	Vehicle Traffic
Slot Width/Hole Size:	1/2" [12.7mm]
ADA:	No
H-20:	Yes
FAA:	No



- ⚠ **WARNING:** Cancer and Reproductive Harm - www.P65Warnings.ca.gov
- ⚠ **ADVERTENCIA:** Cáncer y daño reproductivo - www.P65Warnings.ca.gov
- ⚠ **AVERTISSEMENT:** Cancer et effets néfastes sur la reproduction - www.P65Warnings.ca.gov

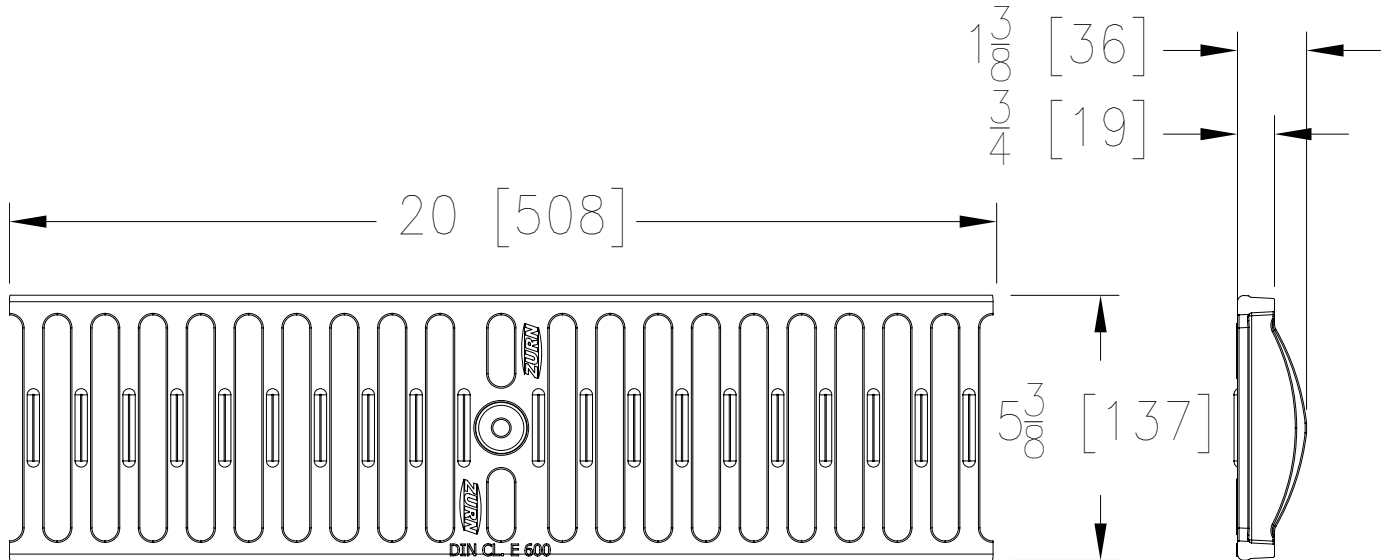


P6-GDE
6 [152] WIDE GRATE

Design and Dimensional Data (inches and [mm]) are Subject to Manufacturing Tolerances and Change Without Notice

Please Check ✓	Item No.	Part Number	Item I.D.
	24	94473	P6-GDE

[Back to Index](#)



GDE GRATE ENGINEERING SPECIFICATION: ZURN P6-GDE

20" [508mm] X 5-3/8" [137mm] Galvanized ductile Iron slotted grate weighing 6.4 lbs per linear foot [9.5kg/m]. The grate has an open area of 28.2 in² per linear foot [597cm²/m]. Grate conforms to DIN rating of E, ANSI rating of Special-Duty, H-20 and FAA load rated and ASTM A536 Grade 80-55-06. Galvanized (hot dip) conforms to ASTM A123.

GDE - Slotted Grate	
Material:	Galvanized Ductile Iron
DIN Rating:	Class E
Weight:	6.4 lbs/ft. [9.5kg/m]
Open Area:	28.2 in ² /ft. [597cm ² /m]
ANSI Rating:	Special-Duty
Application:	Dynamic loads
Slot Width/Hole Size:	1/2" [12.7mm]
ADA:	No
H-20:	Yes
FAA:	Yes

⚠ **WARNING:** Cancer and Reproductive Harm - www.P65Warnings.ca.gov

⚠ **ADVERTENCIA:** Cáncer y daño reproductivo - www.P65Warnings.ca.gov

⚠ **AVERTISSEMENT:** Cancer et effets néfastes sur la reproduction - www.P65Warnings.ca.gov



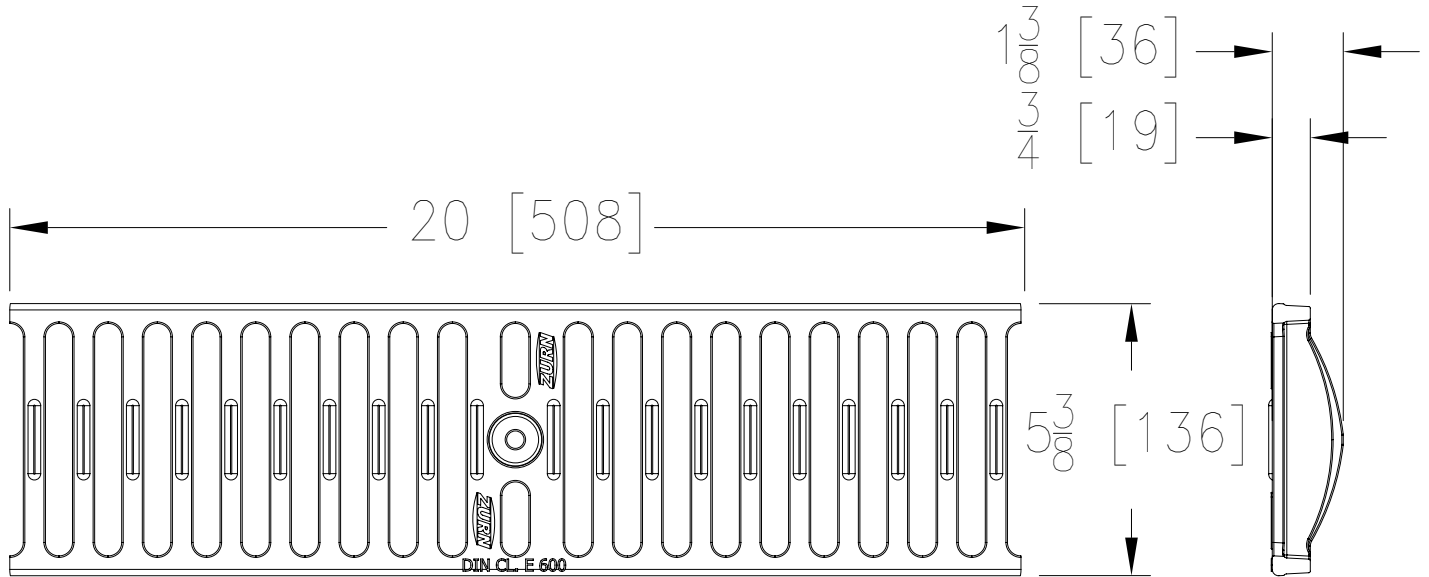
P6-GDE-USA

6 [152] WIDE DOMESTIC GRATE

Design and Dimensional Data (inches and [mm]) are Subject to Manufacturing Tolerances and Change Without Notice

Please Check ✓	Item No.	Part Number	Item I.D.
	25	94473	P6-GDE-USA

[Back to Index](#)



GDE-USA GRATE ENGINEERING SPECIFICATION: ZURN P6-GDE-USA

20" [508mm] X 5-3/8" [137mm] Galvanized ductile Iron slotted grate weighing 6.4 lbs per linear foot [9.5kg/m]. The grate has an open area of 28.2 in² per linear foot [597cm²/m]. Grate conforms to DIN rating of E, ANSI rating of Special-Duty, H-20 and FAA load rated, and ASTM A536 Grade 80-55-06. Galvanized (hot dip) conforms to ASTM A123.

GDE-USA - Slotted Grate	
Material:	Galvanized Ductile Iron
DIN Rating:	Class E
Weight:	6.4 lbs/ft. [9.5kg/m]
Open Area:	28.2 in ² /ft. [597cm ² /m]
ANSI Rating:	Special-Duty
Application:	Dynamic loads
Slot Width/Hole Size:	1/2" [12.7mm]
ADA:	No
H-20:	Yes
FAA:	Yes



- ⚠ **WARNING:** Cancer and Reproductive Harm - www.P65Warnings.ca.gov
- ⚠ **ADVERTENCIA:** Cáncer y daño reproductivo - www.P65Warnings.ca.gov
- ⚠ **AVERTISSEMENT:** Cancer et effets néfastes sur la reproduction - www.P65Warnings.ca.gov

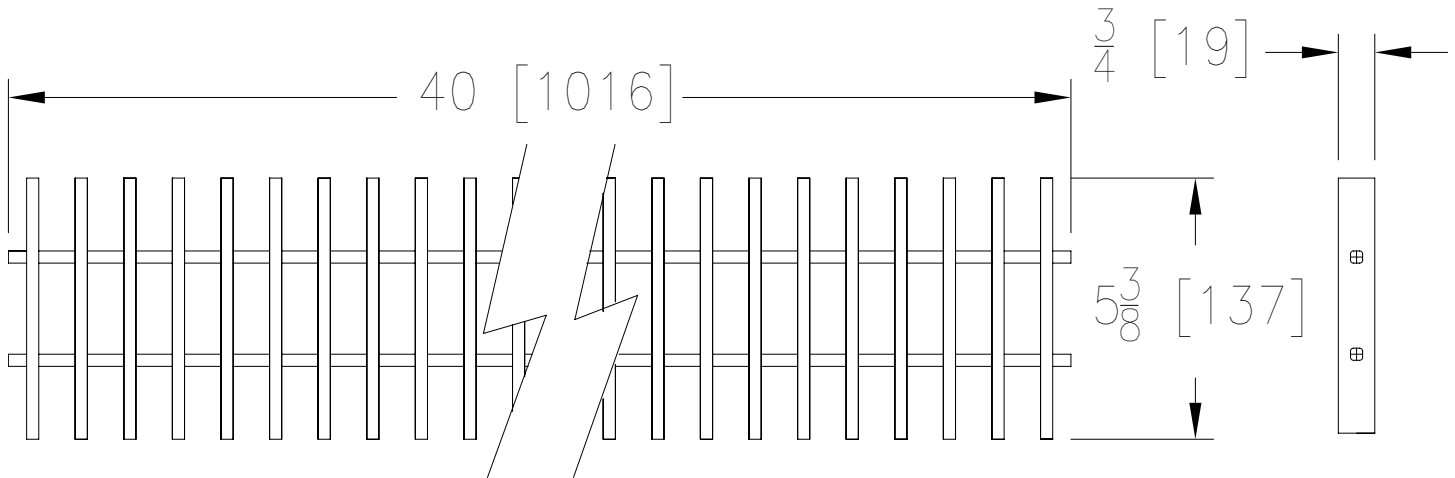


P6-GG
6 [152] WIDE GRATE

Design and Dimensional Data (inches and [mm]) are Subject to Manufacturing Tolerances and Change Without Notice

Please Check ✓	Item No.	Part Number	Item I.D.
	26	56995	P6-GG

[Back to Index](#)



GG GRATE ENGINEERING SPECIFICATION: ZURN P6-GG

40" [1016mm] X 5-3/8" [137mm] Vinylester fiberglass slotted grate weighing .98 lbs per linear foot [1.4kg/m]. The grate has an open area of 41.6 in² per linear foot [879cm²/m]. Grate conforms to DIN rating of A, ANSI rating of Light-Duty, slip resistant surface and interplastic CORVE8300, or Reichhold DION or equivalent.

GG - Vinylester Fiberglass Slotted Grate	
Material:	Vinylester Fiberglass
DIN Rating:	Class A
Weight:	.98 lbs/ft. [1.4kg/m]
Open Area:	41.6 in ² /ft. [879cm ² /m]
ANSI Rating:	Light-Duty
Application:	Chemical App. Pedestrian
Slot Width/Hole Size:	3/4" [19mm]
ADA:	No
H-20:	No
FAA:	No

⚠ **WARNING:** Cancer and Reproductive Harm - www.P65Warnings.ca.gov

⚠ **ADVERTENCIA:** Cáncer y daño reproductivo - www.P65Warnings.ca.gov

⚠ **AVERTISSEMENT:** Cancer et effets néfastes sur la reproduction - www.P65Warnings.ca.gov

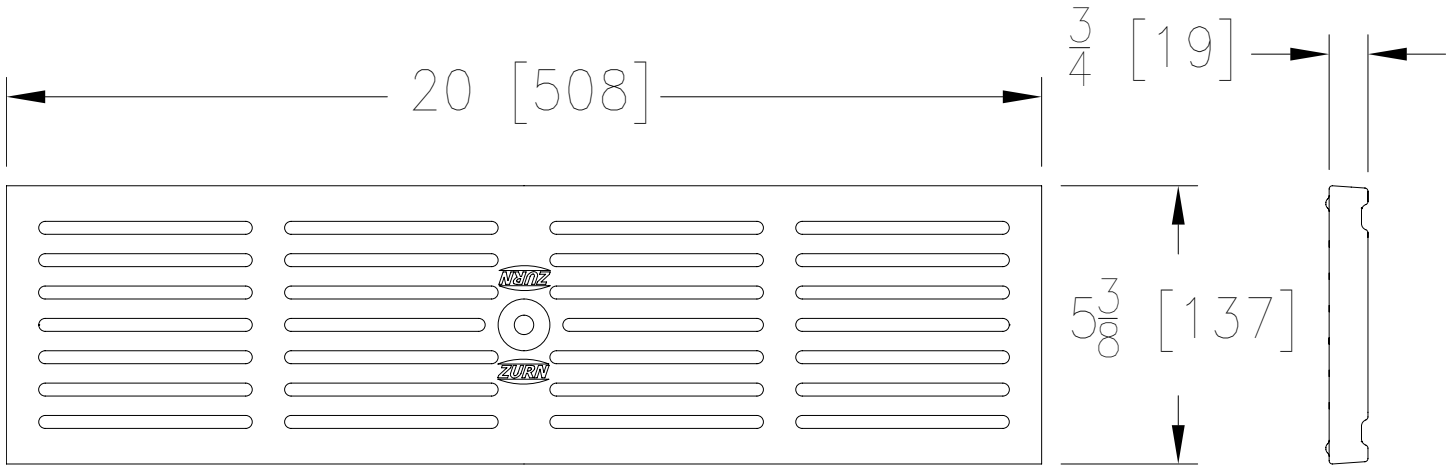


P6-GHPD
6 [152] WIDE GRATE

Design and Dimensional Data (inches and [mm]) are Subject to Manufacturing Tolerances and Change Without Notice

Please Check ✓	Item No.	Part Number	Item I.D.
	27	58524	P6-GHPD

[Back to Index](#)



GHPD GRATE ENGINEERING SPECIFICATION: ZURN P6-GHPD

20" [508mm] X 5-3/8" [137mm] Galvanized ductile Iron heel-proof slotted grate weighing 6.3 lbs per linear foot [9.5kg/m]. The grate has an open area of 17.0 in² per linear foot [361cm²/m]. Grate conforms to DIN rating of B, ANSI rating of Medium-Duty, ADA compliant* and ASTM A536 Grade 80-55-06. Galvanized (hot dip) conforms to ASTM A123.

GHPD - Heel-Proof Slotted	
Material:	Galvanized Ductile Iron
DIN Rating:	Class B
Weight:	6.3 lbs/ft. [9.5kg/m]
Open Area:	17.0 in ² /ft. [361cm ² /m]
ANSI Rating:	Medium-Duty
Application:	Heel-Proof
Slot Width/Hole Size:	1/4" [6.4mm]
ADA:	Yes*
H-20:	No
FAA:	No

* Elongated openings must be placed perpendicular to the dominant direction of travel.

⚠ **WARNING:** Cancer and Reproductive Harm - www.P65Warnings.ca.gov

⚠ **ADVERTENCIA:** Cáncer y daño reproductivo - www.P65Warnings.ca.gov

⚠ **AVERTISSEMENT:** Cancer et effets néfastes sur la reproduction - www.P65Warnings.ca.gov



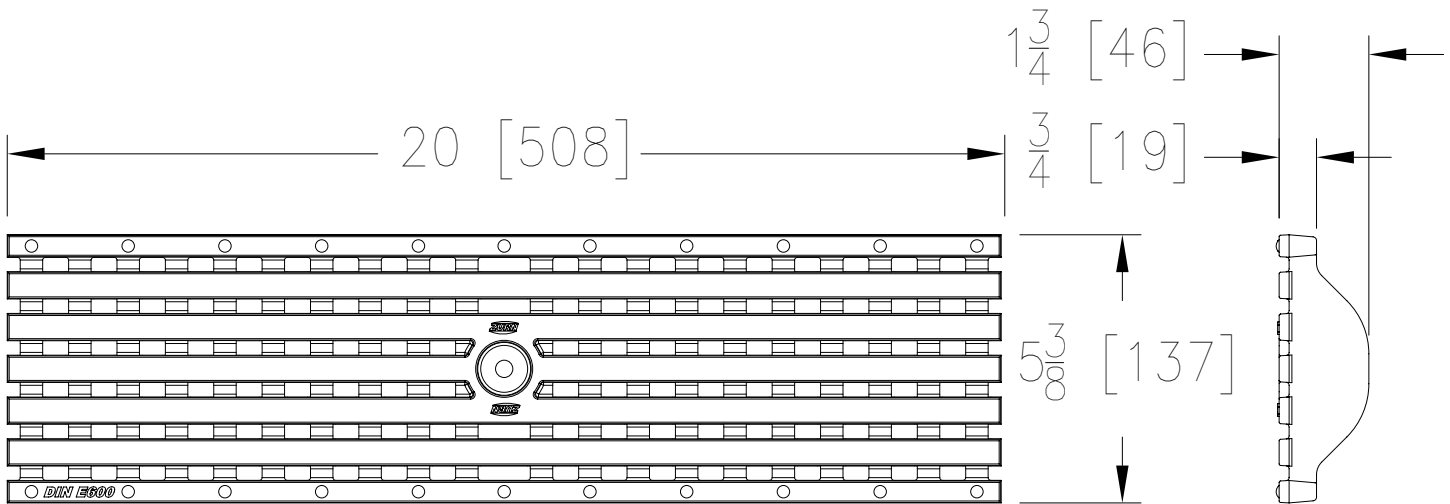
P6-GHPDE

6 [152] WIDE GRATE

Design and Dimensional Data (inches and [mm]) are Subject to Manufacturing Tolerances and Change Without Notice

Please Check ✓	Item No.	Part Number	Item I.D.
	28	94454	P6-GHPDE

[Back to Index](#)



GHPDE GRATE ENGINEERING SPECIFICATION: ZURN P6-GHPDE

20" [508mm] X 5-3/8" [137mm] Galvanized ductile Iron heel-proof slotted grate weighing 9.5 lbs per linear foot [14.1kg/m]. The grate has an open area of 10.9 in² per linear foot [235cm²/m]. Grate conforms to DIN rating of E, ANSI rating of Special-Duty, ADA compliant, H-20 and FAA load rated, and ASTM A536 Grade 80-55-06. Galvanized (hot dip) conforms to ASTM A123.

GHPDE - Heel-Proof Slotted	
Material:	Galvanized Ductile Iron
DIN Rating:	Class E
Weight:	9.5 lbs/ft. [14.1kg/m]
Open Area:	10.9 in ² /ft. [235cm ² /m]
ANSI Rating:	Special-Duty
Application:	Heel-Proof, Forklifts, Commercial Aircraft
Slot Width/Hole Size:	5/16" [8mm]
ADA:	Yes
H-20:	Yes
FAA:	Yes

⚠ WARNING: Cancer and Reproductive Harm - www.P65Warnings.ca.gov

⚠ ADVERTENCIA: Cáncer y daño reproductivo - www.P65Warnings.ca.gov

⚠ AVERTISSEMENT: Cancer et effets néfastes sur la reproduction - www.P65Warnings.ca.gov



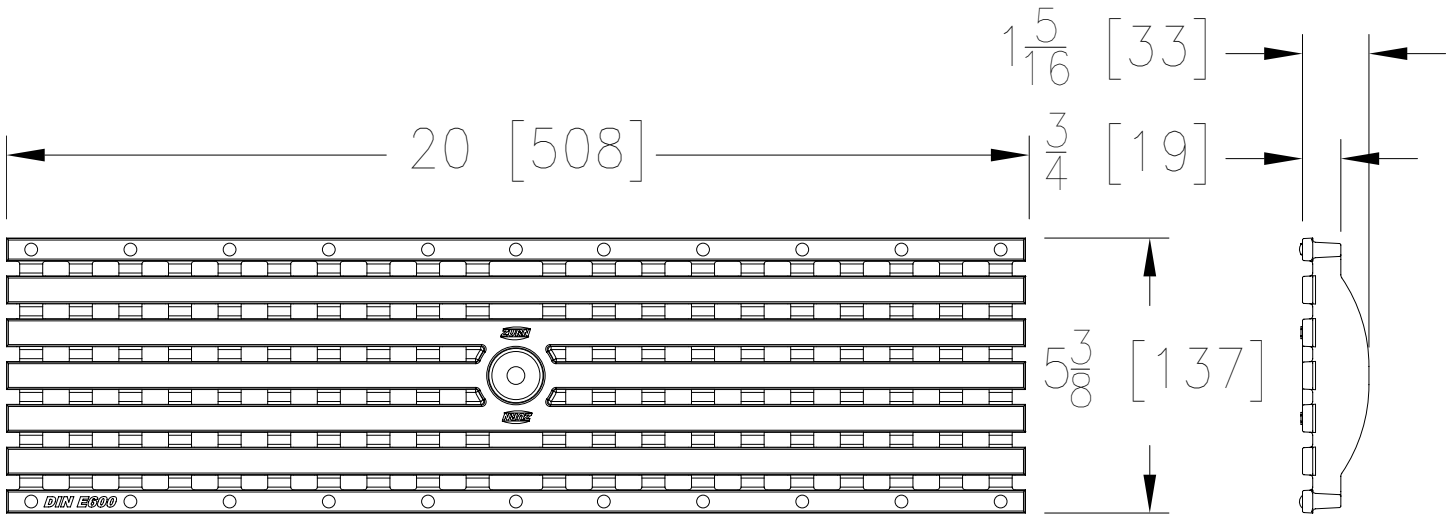
P6-GHPDE-USA

6 [152] WIDE GRATE

Design and Dimensional Data (inches and [mm]) are Subject to Manufacturing Tolerances and Change Without Notice

Please Check ✓	Item No.	Part Number	Item I.D.
	29	94454	P6-GHPDE-USA

[Back to Index](#)



GHPDE-USA GRATE ENGINEERING SPECIFICATION: ZURN P6-GHPDE-USA

20" [508mm] X 5-3/8" [137mm] Galvanized ductile Iron heel-proof slotted grate weighing 9.5 lbs per linear foot [14.1kg/m]. The grate has an open area of 10.9in² per linear foot [235cm²/m]. Grate conforms to DIN rating of E, ANSI rating of Special-Duty, ADA compliant, H-20 and FAA load rated, and ASTM A536 Grade 80-55-06. Galvanized (hot dip) conforms to ASTM A123..

GHPDE-USA - Heel-Proof Slotted	
Material:	Galvanized Ductile Iron
DIN Rating:	Class E
Weight:	9.5 lbs/ft. [14.1kg/m]
Open Area:	10.9 in ² /ft. [235cm ² /m]
ANSI Rating:	Special-Duty
Application:	Heel-Proof, Forklifts, Commercial Aircraft
Slot Width/Hole Size:	5/16" [8mm]
ADA:	Yes
H-20:	Yes
FAA:	Yes



MADE IN THE USA

- ⚠ **WARNING:** Cancer and Reproductive Harm - www.P65Warnings.ca.gov
- ⚠ **ADVERTENCIA:** Cáncer y daño reproductivo - www.P65Warnings.ca.gov
- ⚠ **AVERTISSEMENT:** Cancer et effets néfastes sur la reproduction - www.P65Warnings.ca.gov

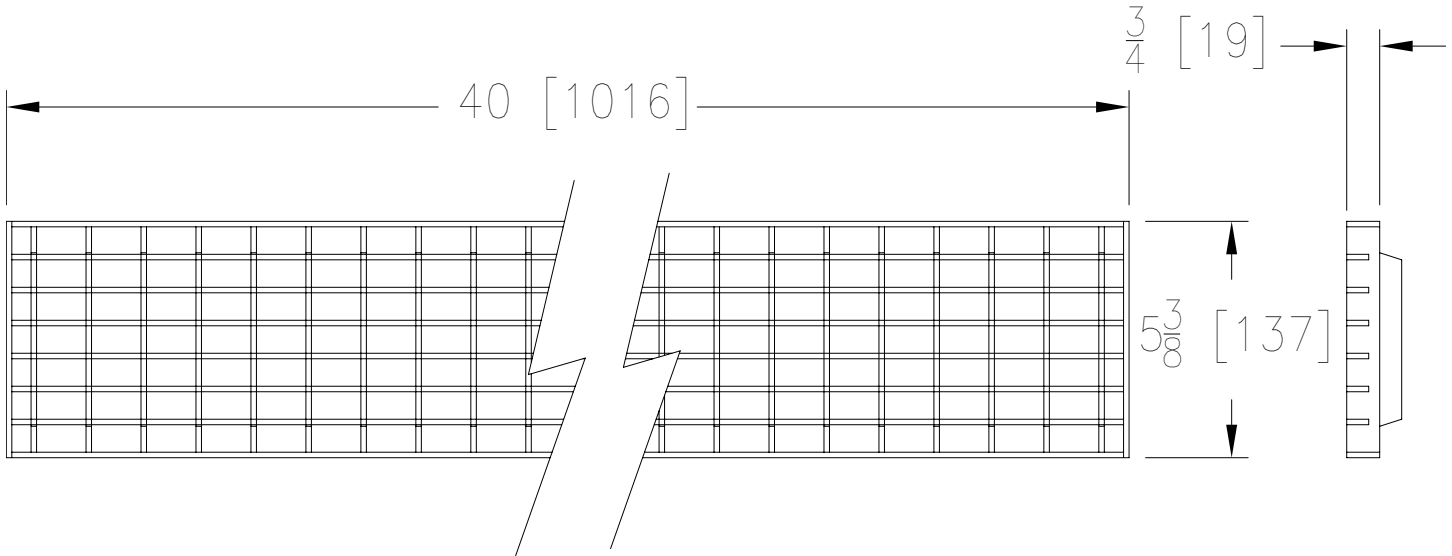


P6-GMG
6 [152] WIDE DECORATIVE GRATE

Design and Dimensional Data (inches and [mm]) are Subject to Manufacturing Tolerances and Change Without Notice

Please Check ✓	Item No.	Part Number	Item I.D.
	30	64249	P6-GMG

[Back to Index](#)



GMG GRATE ENGINEERING SPECIFICATION: ZURN P6-GMG

40" [1016mm] X 5-3/8" [137mm] Galvanized mesh screen grate weighing 3.8 lbs per linear foot [5.6kg/m]. The grate has an open area of 47.0 in² per linear foot [994cm²/m]. Grate conforms to DIN rating of B, ANSI rating of Medium-Duty and ASTM A27 Grade 70-36. Galvanizing conforms to ASTM specification A525-87.

GMG - Mesh Screen	
Material:	Galvanized Steel
DIN Rating:	Class B
Weight:	3.8 lbs/ft. [5.6kg/m]
Open Area:	47.0 in ² /ft. [994cm ² /m]
ANSI Rating:	Medium-Duty
Application:	Sidewalks, Light Traffic
Slot Width/Hole Size:	1-1/8" [28.6mm]
ADA:	No
H-20:	No
FAA:	No

⚠ **WARNING:** Cancer and Reproductive Harm - www.P65Warnings.ca.gov

⚠ **ADVERTENCIA:** Cáncer y daño reproductivo - www.P65Warnings.ca.gov

⚠ **AVERTISSEMENT:** Cancer et effets néfastes sur la reproduction - www.P65Warnings.ca.gov



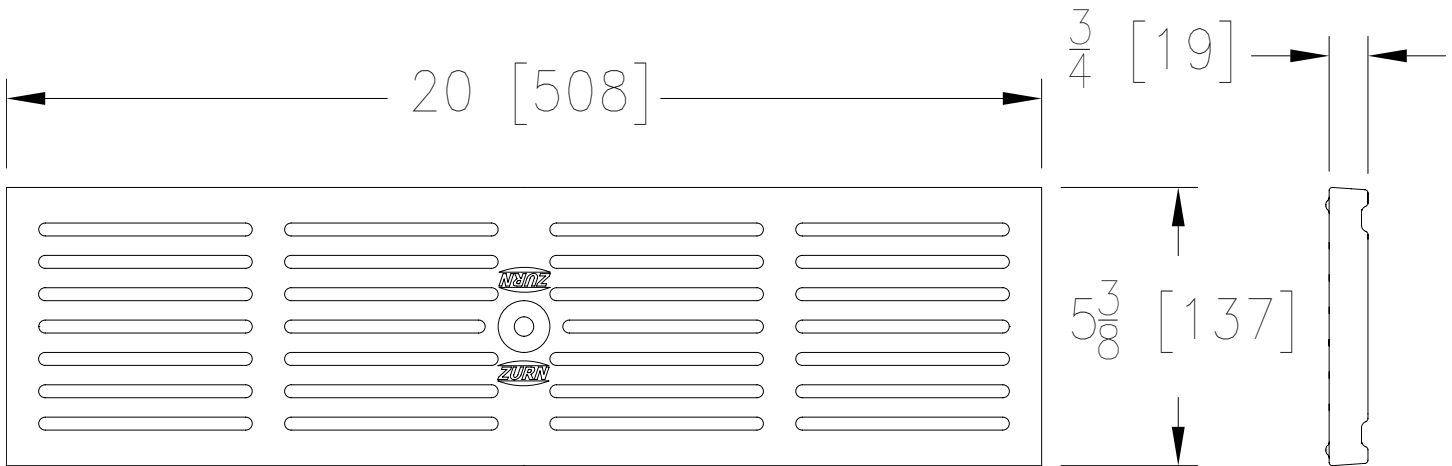
P6-HPB

6 [152] WIDE DECORATIVE GRATE

Design and Dimensional Data (inches and [mm]) are Subject to Manufacturing Tolerances and Change Without Notice

Please Check ✓	Item No.	Part Number	Item I.D.
	31	58524	P6-HPB

[Back to Index](#)



HPB GRATE ENGINEERING SPECIFICATION: ZURN P6-HPB

20" [508mm] X 5-3/8" [137mm] Bronze heel-proof slotted grate weighing 7.8 lbs per linear foot [11.5kg/m]. The grate has an open area of 17.0 in² per linear foot [361cm²/m]. Grate conforms to DIN rating of A, ANSI rating of Light-Duty, ADA compliant* and ASTM B584 copper alloy No. C844.

HPB - Heel-Proof Slotted	
Material:	Bronze
DIN Rating:	Class A
Weight:	7.8 lbs/ft. [11.5kg/m]
Open Area:	17.0 in ² /ft. [361cm ² /m]
ANSI Rating:	Light-Duty
Application:	Heel-Proof, Pedestrian
Slot Width/Hole Size:	1/4" [6.4mm]
ADA:	Yes*
H-20:	No
FAA:	No

* Elongated openings must be placed perpendicular to the dominant direction of travel.

⚠ **WARNING:** Cancer and Reproductive Harm - www.P65Warnings.ca.gov

⚠ **ADVERTENCIA:** Cáncer y daño reproductivo - www.P65Warnings.ca.gov

⚠ **AVERTISSEMENT:** Cancer et effets néfastes sur la reproduction - www.P65Warnings.ca.gov

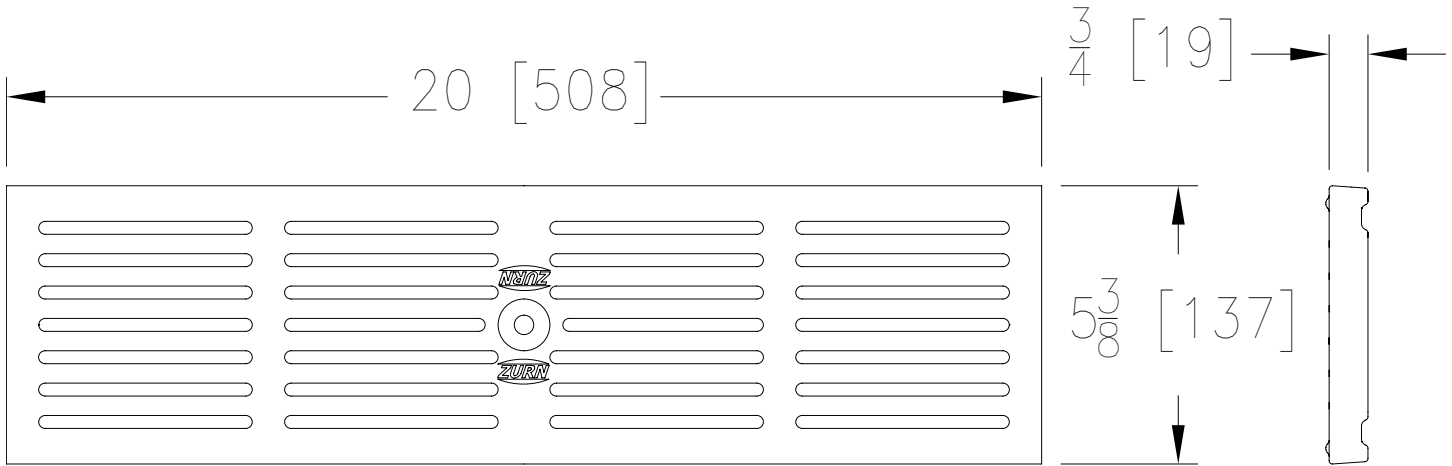


P6-HPD
6 [152] WIDE GRATE

Design and Dimensional Data (inches and [mm]) are Subject to Manufacturing Tolerances and Change Without Notice

Please Check ✓	Item No.	Part Number	Item I.D.
	32	58524	P6-HPD

[Back to Index](#)



HPD GRATE ENGINEERING SPECIFICATION: ZURN P6-HPD

20" [508mm] X 5-3/8" [137mm] Ductile Iron heel-proof slotted grate weighing 6.3 lbs per linear foot [9.5kg/m]. The grate has an open area of 17.0 in² per linear foot [361cm²/m]. Grate conforms to DIN rating of B, ANSI rating of Medium-Duty, ADA compliant* and ASTM A536 Grade 80-55-06.

HPD - Heel-Proof Slotted	
Material:	Ductile Iron
DIN Rating:	Class B
Weight:	6.3 lbs/ft. [9.5kg/m]
Open Area:	17.0 in ² /ft. [361cm ² /m]
ANSI Rating:	Medium-Duty
Application:	Heel-Proof
Slot Width/Hole Size:	1/4" [6.4mm]
ADA:	Yes*
H-20:	No
FAA:	No

* Elongated openings must be placed perpendicular to the dominant direction of travel.

⚠ **WARNING:** Cancer and Reproductive Harm - www.P65Warnings.ca.gov

⚠ **ADVERTENCIA:** Cáncer y daño reproductivo - www.P65Warnings.ca.gov

⚠ **AVERTISSEMENT:** Cancer et effets néfastes sur la reproduction - www.P65Warnings.ca.gov



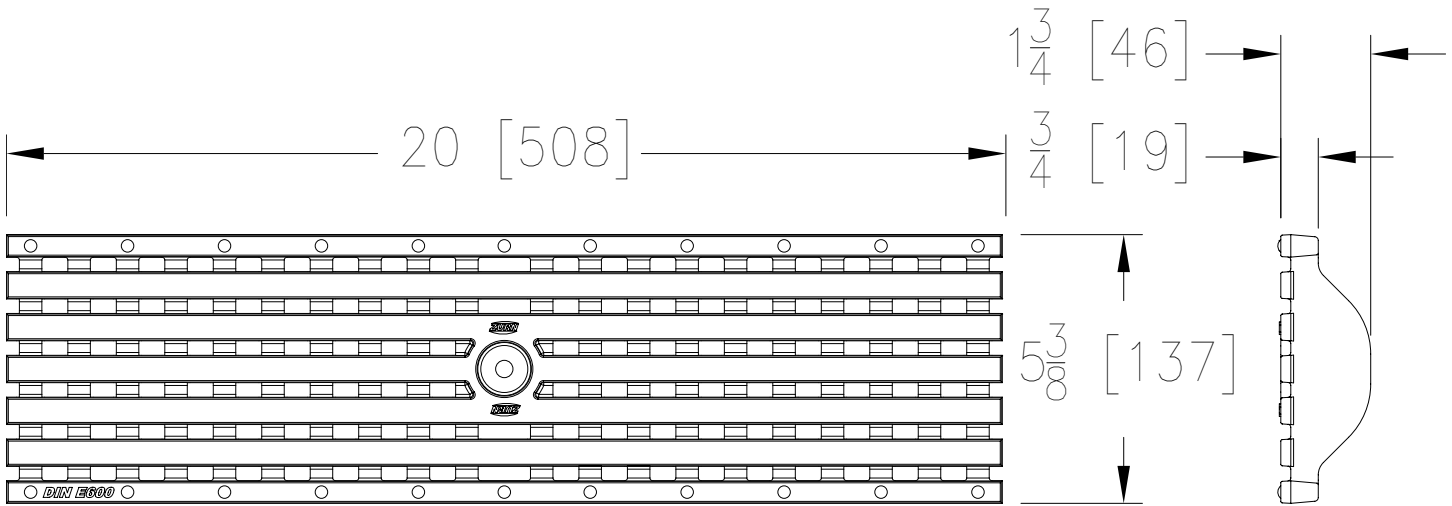
P6-HPDE

6 [152] WIDE GRATE

Design and Dimensional Data (inches and [mm]) are Subject to Manufacturing Tolerances and Change Without Notice

Please Check ✓	Item No.	Part Number	Item I.D.
	33	94454	P6-HPDE

[Back to Index](#)



HPDE GRATE ENGINEERING SPECIFICATION: ZURN P6-HPDE

20" [508mm] X 5-3/8" [137mm] Ductile Iron heel-proof slotted grate weighing 9.5 lbs per linear foot [14.1kg/m]. The grate has an open area of 10.9 in² per linear foot [235cm²/m]. Grate conforms to DIN rating of E, ANSI rating of Special-Duty, ADA compliant, H-20 and FAA load rated, and ASTM A536 Grade 80-55-06.

HPDE - Heel-Proof Slotted	
Material:	Ductile Iron
DIN Rating:	Class E
Weight:	9.5 lbs/ft. [14.1kg/m]
Open Area:	10.9 in ² /ft. [235cm ² /m]
ANSI Rating:	Special-Duty
Application:	Heel-Proof, Forklifts, Commercial Aircraft
Slot Width/Hole Size:	5/16" [8mm]
ADA:	Yes
H-20:	Yes
FAA:	Yes

⚠ WARNING: Cancer and Reproductive Harm - www.P65Warnings.ca.gov

⚠ ADVERTENCIA: Cáncer y daño reproductivo - www.P65Warnings.ca.gov

⚠ AVERTISSEMENT: Cancer et effets néfastes sur la reproduction - www.P65Warnings.ca.gov

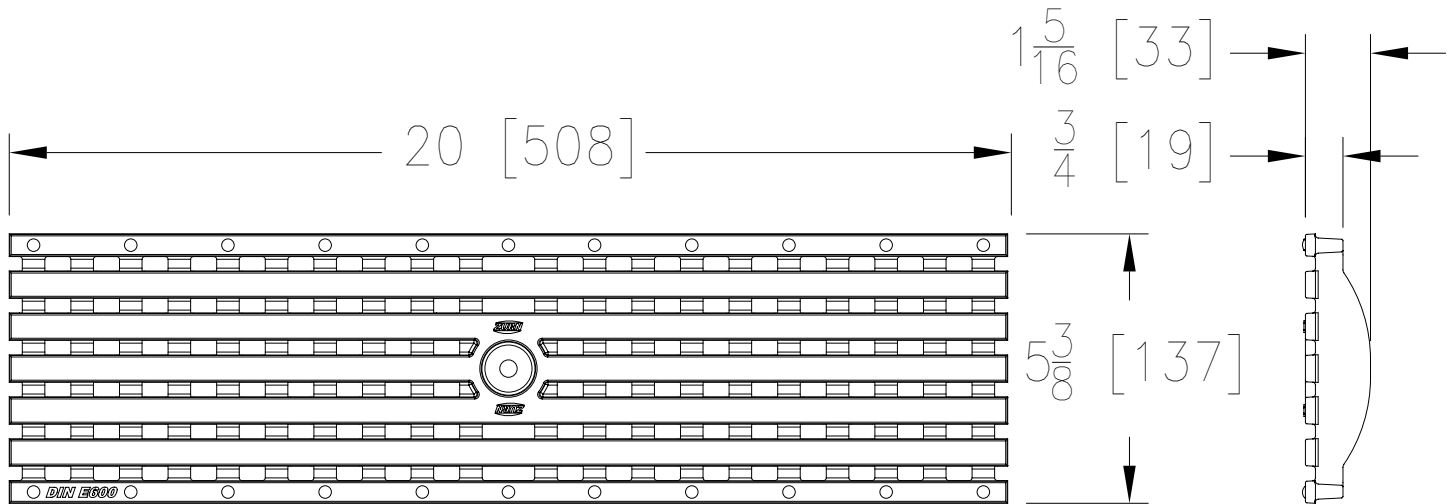


P6-HPDE-USA
6 [152] WIDE GRATE

Design and Dimensional Data (inches and [mm]) are Subject to Manufacturing Tolerances and Change Without Notice

Please Check ✓	Item No.	Part Number	Item I.D.
	34	94454	P6-HPDE-USA

[Back to Index](#)



HPDE-USA GRATE ENGINEERING SPECIFICATION: ZURN P6-HPDE-USA

20" [508mm] X 5-3/8" [137mm] Ductile Iron heel-proof slotted grate weighing 9.5 lbs per linear foot [14.1kg/m]. The grate has an open area of 10.9 in² per linear foot [235cm²/m]. Grate conforms to DIN rating of E, ANSI rating of Special-Duty, ADA compliant, H-20 and FAA load rated, and ASTM A536 Grade 80-55-06.

HPDE-USA - Heel-Proof Slotted	
Material:	Ductile Iron
DIN Rating:	Class E
Weight:	9.5 lbs/ft. [14.1kg/m]
Open Area:	10.9 in ² /ft. [235cm ² /m]
ANSI Rating:	Special-Duty
Application:	Heel-Proof, Forklifts, Commercial Aircraft
Slot Width/Hole Size:	5/16" [8mm]
ADA:	Yes
H-20:	Yes
FAA:	Yes



MADE IN THE USA

- ⚠ **WARNING:** Cancer and Reproductive Harm - www.P65Warnings.ca.gov
- ⚠ **ADVERTENCIA:** Cáncer y daño reproductivo - www.P65Warnings.ca.gov
- ⚠ **AVERTISSEMENT:** Cancer et effets néfastes sur la reproduction - www.P65Warnings.ca.gov

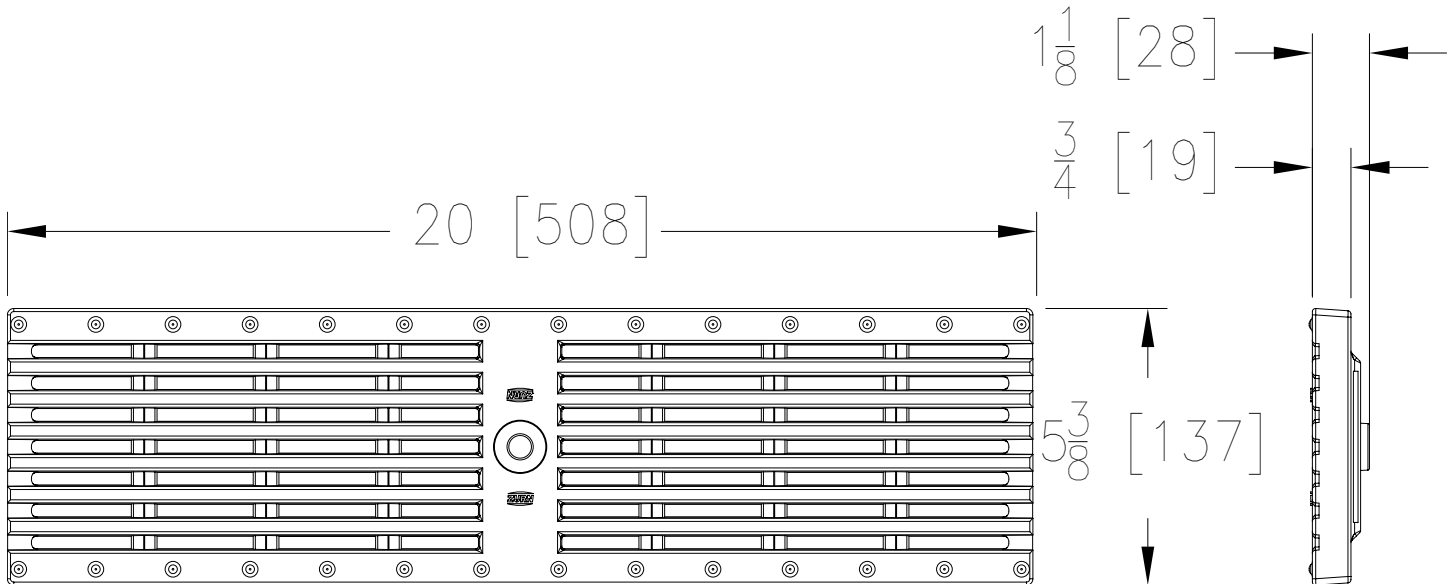


P6-HPP
6 [152] WIDE GRATE

Design and Dimensional Data (inches and [mm]) are Subject to Manufacturing Tolerances and Change Without Notice

Please Check ✓	Item No.	Part Number	Item I.D.
	35	94001	P6-HPP

[Back to Index](#)



HPP GRATE ENGINEERING SPECIFICATION: ZURN P6-HPP

20" [508mm] X 5-3/8" [137mm] High Density Polyethylene (HDPE) heel-proof slotted grate weighing .9 lbs per linear foot [1.3kg/m]. The grate has an open area of 17.4 in²/ft. [367cm²/m]. Grate conforms to DIN rating of A, ANSI rating of Light-Duty, ADA compliant*, and Densetec 100 HDPE or Approved Equivalent.

HPP - Heel-Proof Slotted	
Material:	HDPE
DIN Rating:	Class A
Weight:	.9 lbs/ft. [1.3kg/m]
Open Area:	17.4 in ² /ft. [367cm ² /m]
ANSI Rating:	Light-Duty
Application:	Heel-Proof, Pedestrian
Slot Width/Hole Size:	1/4" [6.4mm]
ADA:	Yes*
H-20:	No
FAA:	No

* Elongated openings must be placed perpendicular to the dominant direction of travel.

⚠ **WARNING:** Cancer and Reproductive Harm - www.P65Warnings.ca.gov

⚠ **ADVERTENCIA:** Cáncer y daño reproductivo - www.P65Warnings.ca.gov

⚠ **AVERTISSEMENT:** Cancer et effets néfastes sur la reproduction - www.P65Warnings.ca.gov



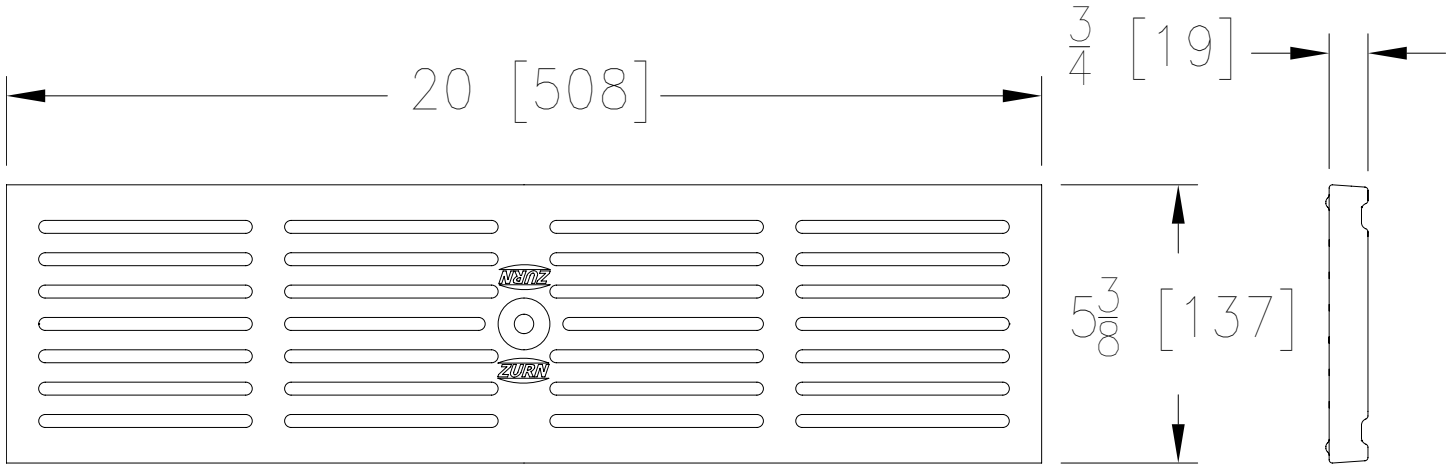
P6-HPS

6 [152] WIDE GRATE

Design and Dimensional Data (inches and [mm]) are Subject to Manufacturing Tolerances and Change Without Notice

Please Check ✓	Item No.	Part Number	Item I.D.
	36	58524	P6-HPS

[Back to Index](#)



HPS GRATE ENGINEERING SPECIFICATION: ZURN P6-HPS

20" [508mm] X 5-3/8" [137mm] Stainless Steel heel-proof slotted grate weighing 7.1 lbs per linear foot [10.5kg/m]. The grate has an open area of 17.0 in² per linear foot [361cm²/m]. Grate conforms to DIN rating of A, ANSI rating of Light-Duty, ADA compliant*, and ASTM A351 Grade CF8 (TYPE 304) and Grade CF8M (TYPE 316).

HPS - Heel-Proof Slotted	
Material:	Stainless Steel
DIN Rating:	Class A
Weight:	7.1 lbs/ft. [10.5kg/m]
Open Area:	17.0 in ² /ft. [361cm ² /m]
ANSI Rating:	Light-Duty
Application:	Heel-Proof, Pedestrian
Slot Width/Hole Size:	1/4" [6.4mm]
ADA:	Yes*
H-20:	No
FAA:	No

* Elongated openings must be placed perpendicular to the dominant direction of travel.

⚠ **WARNING:** Cancer and Reproductive Harm - www.P65Warnings.ca.gov

⚠ **ADVERTENCIA:** Cáncer y daño reproductivo - www.P65Warnings.ca.gov

⚠ **AVERTISSEMENT:** Cancer et effets néfastes sur la reproduction - www.P65Warnings.ca.gov

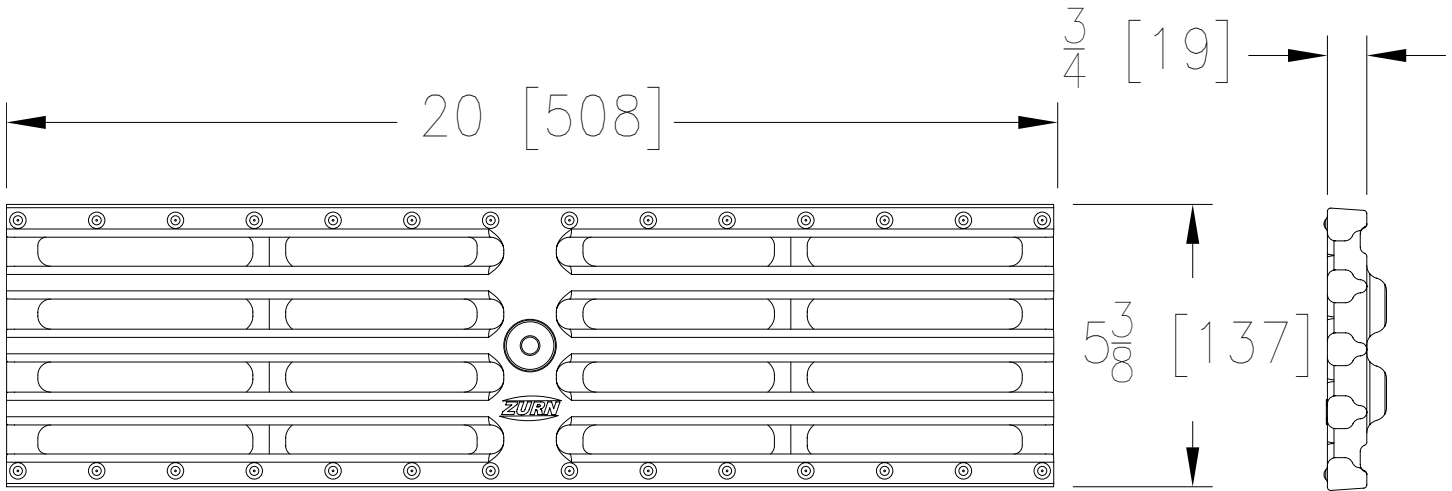


P6-LD
6 [152] WIDE GRATE

Design and Dimensional Data (inches and [mm]) are Subject to Manufacturing Tolerances and Change Without Notice

Please Check ✓	Item No.	Part Number	Item I.D.
	37	57153	P6-LD

[Back to Index](#)



LD GRATE ENGINEERING SPECIFICATION: ZURN P6-LD

20" [508mm] X 5-3/8" [137mm] Ductile Iron longitudinally slotted grate weighing 6.7 lbs per linear foot [9.8kg/m]. The grate has an open area of 20.5 in² per linear foot [433cm²/m]. Grate conforms to DIN rating of B, ANSI rating of Medium-Duty, and ASTM A536 Grade 80-55-06.

LD - Longitudinal Slotted	
Material:	Ductile Iron
DIN Rating:	Class B
Weight:	6.7 lbs/ft. [9.8kg/m]
Open Area:	20.5 in ² /ft. [433cm ² /m]
ANSI Rating:	Medium-Duty
Application:	Sidewalks
Slot Width/Hole Size:	1/2" [12.7mm]
ADA:	No
H-20:	No
FAA:	No

⚠ **WARNING:** Cancer and Reproductive Harm - www.P65Warnings.ca.gov

⚠ **ADVERTENCIA:** Cáncer y daño reproductivo - www.P65Warnings.ca.gov

⚠ **AVERTISSEMENT:** Cancer et effets néfastes sur la reproduction - www.P65Warnings.ca.gov



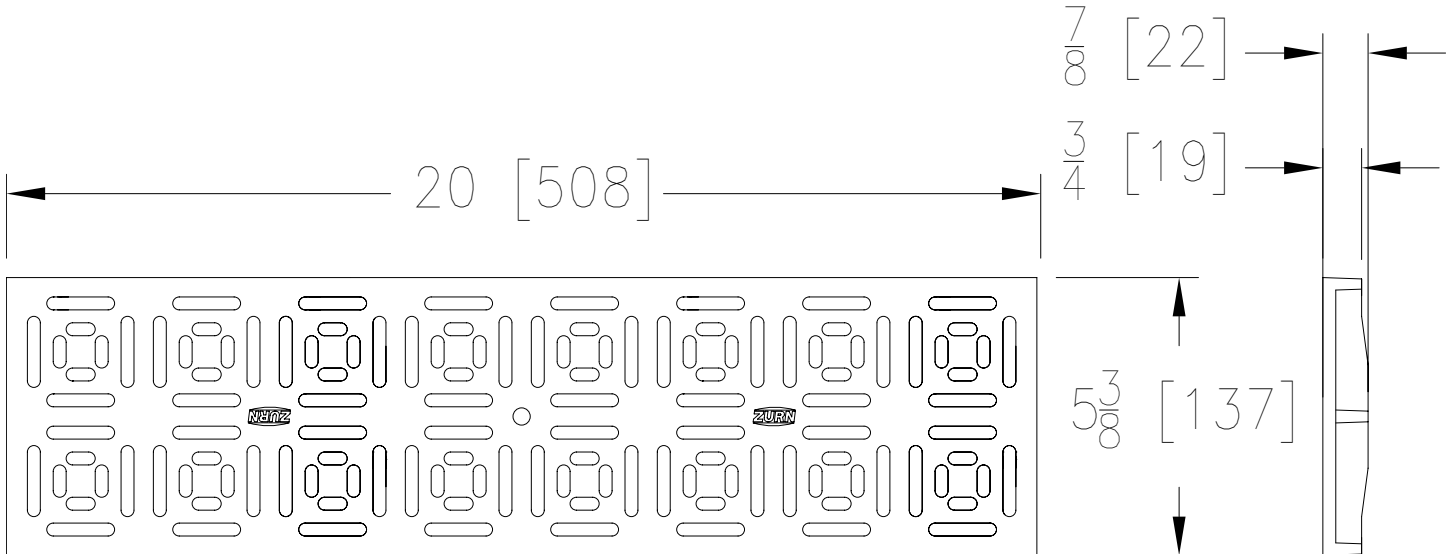
P6-NBZ-USA

6 [152] WIDE DOMESTIC DECORATIVE GRATE

Design and Dimensional Data (inches and [mm]) are Subject to Manufacturing Tolerances and Change Without Notice

Please Check ✓	Item No.	Part Number	Item I.D.
	38	64054	P6-NBZ-USA

[Back to Index](#)



NBZ-USA GRATE ENGINEERING SPECIFICATION: ZURN P6-NBZ-USA

20" [508mm] X 5-3/8" [137mm] Nickel Bronze decorative grate weighing 5.7 lbs per linear foot [8.5kg/m]. The grate has an open area of 16.9 in² per linear foot [357cm²/m]. Grate conforms to DIN rating of A, ANSI rating of Light-Duty, ADA compliant and ASTM B584 Copper alloy NO. C997.

NBZ-USA - Decorative	
Material:	Nickel Bronze
DIN Rating:	Class A
Weight:	5.7 lbs/ft. [8.5kg/m]
Open Area:	16.9 in ² /ft. [357cm ² /m]
ANSI Rating:	Light-Duty
Application:	Decorative Heel-Proof Pedestrian
Slot Width/Hole Size:	1/4" [6.4mm]
ADA:	Yes
H-20:	No
FAA:	No



MADE IN THE USA

⚠ WARNING: Cancer and Reproductive Harm - www.P65Warnings.ca.gov

⚠ ADVERTENCIA: Cáncer y daño reproductivo - www.P65Warnings.ca.gov

⚠ AVERTISSEMENT: Cancer et effets néfastes sur la reproduction - www.P65Warnings.ca.gov



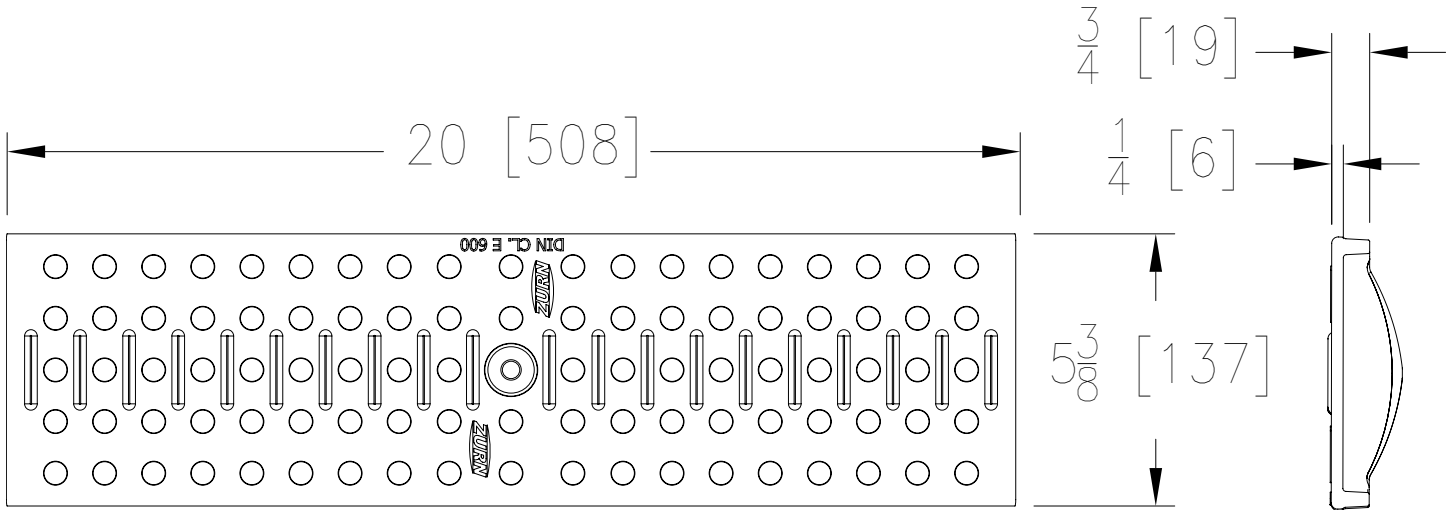
P6-PDE-USA

6 [152] WIDE DOMESTIC DECORATIVE GRATE

Design and Dimensional Data (inches and [mm]) are Subject to Manufacturing Tolerances and Change Without Notice

Please Check ✓	Item No.	Part Number	Item I.D.
	39	84474	P6-PDE-USA

[Back to Index](#)



PDE-USA GRATE ENGINEERING SPECIFICATION: ZURN P6-PDE-USA

20" [508mm] X 5-3/8" [137mm] Ductile Iron perforated grate weighing 7.4 lbs per linear foot [11.2kg/m]. The grate has an open area of 9.13 in² per linear foot [193cm²/m]. Grate conforms to DIN rating of E, ANSI rating of Special-Duty, ADA Compliant, H-20 and FAA load rated, and ASTM A536 Grade 80-55-06.

PDE-USA - Decorative	
Material:	Ductile Iron
DIN Rating:	Class E
Weight:	7.4 lbs/ft. [11.2kg/m]
Open Area:	9.13 in ² /ft. [193cm ² /m]
ANSI Rating:	Special-Duty
Application:	Fork Lift Rated
Slot Width/Hole Size:	29/64" [11.5mm]
ADA:	Yes
H-20:	Yes
FAA:	Yes



MADE IN THE USA

⚠ WARNING: Cancer and Reproductive Harm - www.P65Warnings.ca.gov

⚠ ADVERTENCIA: Cáncer y daño reproductivo - www.P65Warnings.ca.gov

⚠ AVERTISSEMENT: Cancer et effets néfastes sur la reproduction - www.P65Warnings.ca.gov



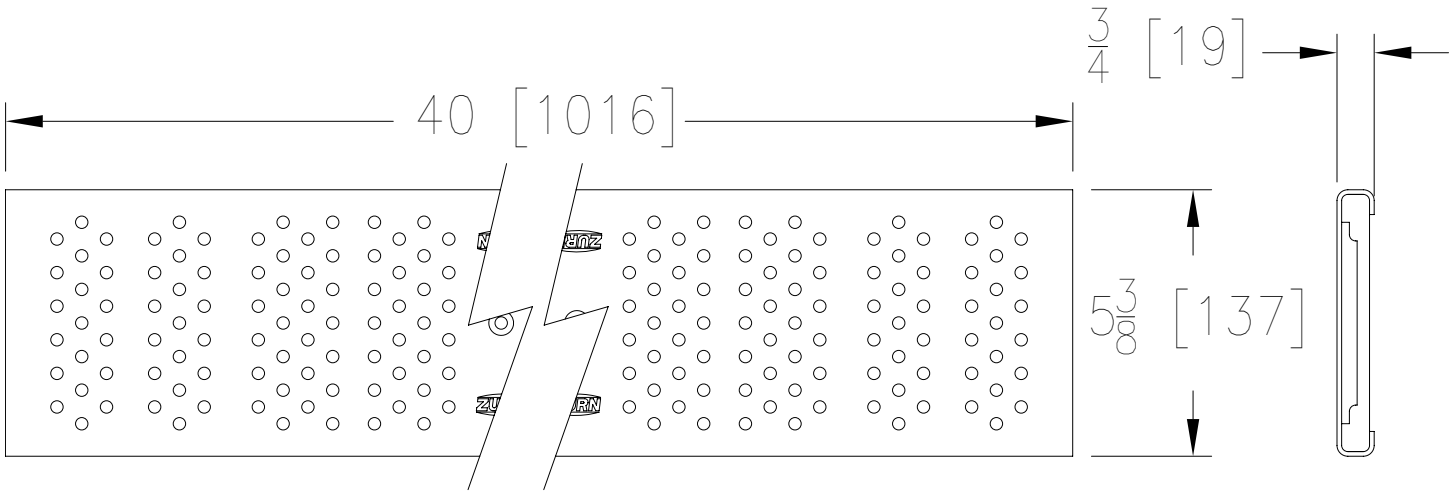
P6-PG

6 [152] WIDE DOMESTIC GRATE

Design and Dimensional Data (inches and [mm]) are Subject to Manufacturing Tolerances and Change Without Notice

Please Check ✓	Item No.	Part Number	Item I.D.
	40	64078	P6-PG

[Back to Index](#)



PG GRATE ENGINEERING SPECIFICATION: ZURN P6-PG

40" [1016mm] X 5-3/8" [137mm] Galvanized steel fabricated perforated grate weighing 1.6 lbs per linear foot [2.3kg/m]. The grate has an open area of 5.3 in² per linear foot [112cm²/m]. Grate conforms to DIN rating of A, ANSI rating of Light-Duty, ADA Compliant. Carbon steel conforms to ASTM A653 Type CS-B, galvanized coating designation G60, minimum spangle.



PG - Fabricated Perforated	
Material:	Galvanized Steel
DIN Rating:	Class A
Weight:	1.6 lbs/ft. [2.3kg/m]
Open Area:	5.3 in ² /ft. [112cm ² /m]
ANSI Rating:	Light-Duty
Application:	Heel-Proof pedestrian
Slot Width/Hole Size:	1/4" [6.4mm]
ADA:	Yes
H-20:	No
FAA:	No

⚠ **WARNING:** Cancer and Reproductive Harm - www.P65Warnings.ca.gov

⚠ **ADVERTENCIA:** Cáncer y daño reproductivo - www.P65Warnings.ca.gov

⚠ **AVERTISSEMENT:** Cancer et effets néfastes sur la reproduction - www.P65Warnings.ca.gov



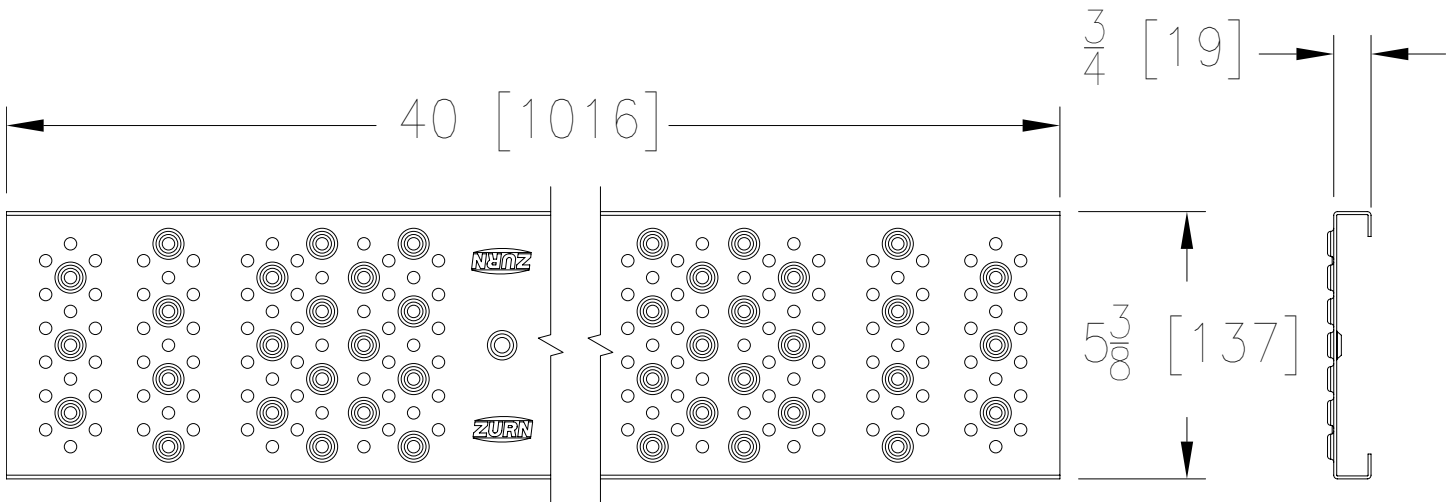
P6-PGR

6 [152] WIDE DOMESTIC DECORATIVE GRATE

Design and Dimensional Data (inches and [mm]) are Subject to Manufacturing Tolerances and Change Without Notice

Please Check ✓	Item No.	Part Number	Item I.D.
	41	301238	P6-PGR

[Back to Index](#)



PGR GRATE ENGINEERING SPECIFICATION: ZURN P6-PGR

40" [1016mm] X 5-3/8" [137mm] Galvanized steel fabricated raised perforated grate weighing 1.8 lbs per linear foot [2.7kg/m]. The grate has an open area of 5.3 in² per linear foot [112cm²/m]. Grate conforms to DIN rating of A, ANSI rating of Light-Duty, ADA Compliant, and ASTM A653, Type CS-B. Galvanized coating designation G60, minimum spangle.

PGR - Raised Perforated	
Material:	Galvanized Steel
DIN Rating:	Class A
Weight:	1.8 lbs/ft. [2.7kg/m]
Open Area:	5.3 in ² /ft. [112cm ² /m]
ANSI Rating:	Light-Duty
Application:	Heel-Proof pedestrian
Slot Width/Hole Size:	1/4" [6.4mm]
ADA:	Yes
H-20:	No
FAA:	No



MADE IN THE USA

⚠ WARNING: Cancer and Reproductive Harm - www.P65Warnings.ca.gov

⚠ ADVERTENCIA: Cáncer y daño reproductivo - www.P65Warnings.ca.gov

⚠ AVERTISSEMENT: Cancer et effets néfastes sur la reproduction - www.P65Warnings.ca.gov

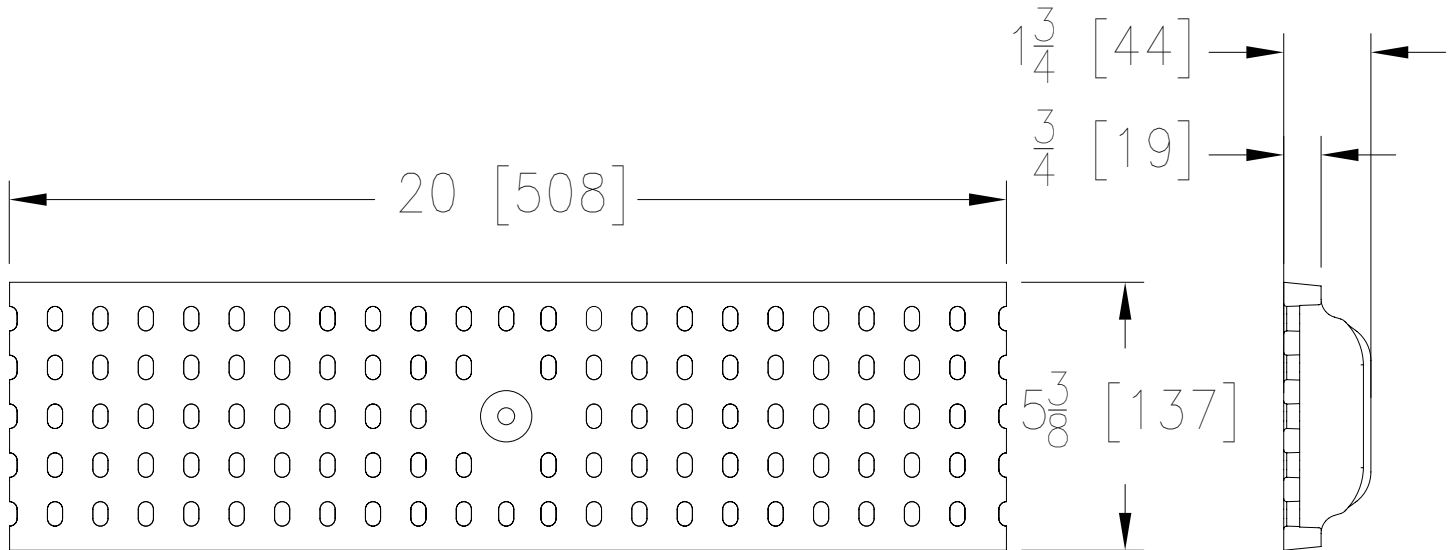


P6-PPC
6 [152] WIDE DOMESTIC GRATE

Design and Dimensional Data (inches and [mm]) are Subject to Manufacturing Tolerances and Change Without Notice

Please Check ✓	Item No.	Part Number	Item I.D.
	42	94149	P6-PPC

[Back to Index](#)



PPC GRATE ENGINEERING SPECIFICATION: ZURN P6-PPC

20" [508mm] X 5-3/8" [137mm] Vinylester perforated plastic grate weighing 3.3 lbs per linear foot [4.9kg/m]. The grate has an open area of 6.6 in² per linear foot [140cm²/m]. Grate conforms to DIN rating of B, ANSI rating of Medium-Duty and ADACompliant, and Interplastic CORVE8300 or Reichhold DION 9100 or equivalent.



PPC - Perforated Grate	
Material:	Vinylester
DIN Rating:	Class B
Weight:	3.3 lbs/ft. [4.9kg/m]
Open Area:	6.6 in ² /ft. [140cm ² /m]
ANSI Rating:	Medium-Duty
Application:	Non-metallic, Chemical
Slot Width/Hole Size:	19/64" [7.5mm]
ADA:	Yes
H-20:	No
FAA:	No

- ⚠ **WARNING:** Cancer and Reproductive Harm - www.P65Warnings.ca.gov
- ⚠ **ADVERTENCIA:** Cáncer y daño reproductivo - www.P65Warnings.ca.gov
- ⚠ **AVERTISSEMENT:** Cancer et effets néfastes sur la reproduction - www.P65Warnings.ca.gov

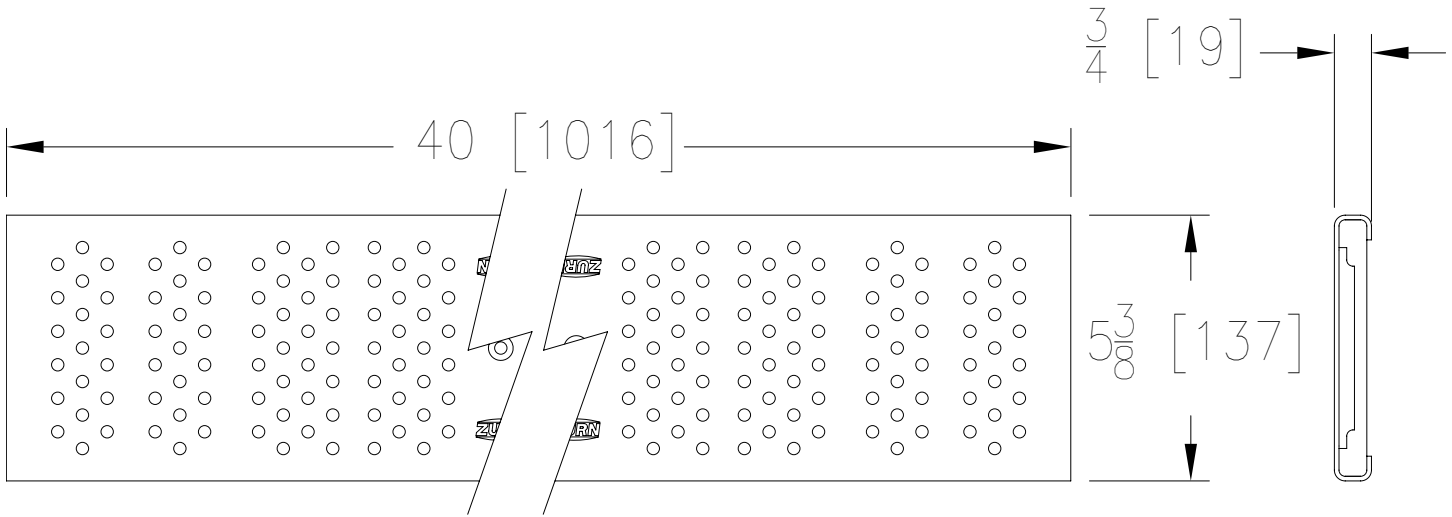


P6-PS
6 [152] WIDE DOMESTIC GRATE

Design and Dimensional Data (inches and [mm]) are Subject to Manufacturing Tolerances and Change Without Notice

Please Check ✓	Item No.	Part Number	Item I.D.
	43	64078	P6-PS

[Back to Index](#)



PS GRATE ENGINEERING SPECIFICATION: ZURN P6-PS

40" [1016mm] X 5-3/8" [137mm] Stainless steel perforated grate weighing 1.8 lbs per linear foot [2.7kg/m]. The grate has an open area of 5.3 in² per linear foot [112cm²/m]. Grate conforms to DIN rating of A, ANSI rating of Light-Duty, ADA Compliant, and ASTM A240 Type 304 (or 316 by request).

PS - Fabricated Perforated	
Material:	Type 304 Stainless Steel
DIN Rating:	Class A
Weight:	1.8 lbs/ft. [2.7kg/m]
Open Area:	5.3 in ² /ft. [112cm ² /m]
ANSI Rating:	Light-Duty
Application:	Heel-Proof Pedestrian
Slot Width/Hole Size:	1/4" [6.4mm]
ADA:	Yes
H-20:	No
FAA:	No



- ⚠ **WARNING:** Cancer and Reproductive Harm - www.P65Warnings.ca.gov
- ⚠ **ADVERTENCIA:** Cáncer y daño reproductivo - www.P65Warnings.ca.gov
- ⚠ **AVERTISSEMENT:** Cancer et effets néfastes sur la reproduction - www.P65Warnings.ca.gov



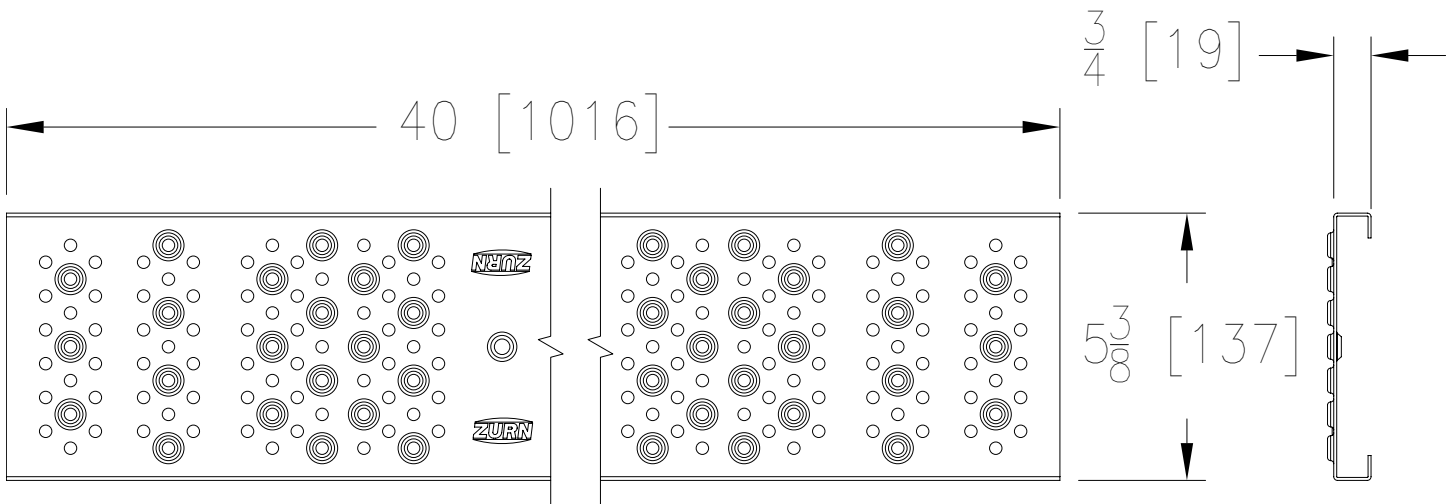
P6-PSR

6 [152] WIDE DOMESTIC DECORATIVE GRATE

Design and Dimensional Data (inches and [mm]) are Subject to Manufacturing Tolerances and Change Without Notice

Please Check ✓	Item No.	Part Number	Item I.D.
	44	301238	P6-PSR

[Back to Index](#)



PSR GRATE ENGINEERING SPECIFICATION: ZURN P6-PSR

40" [1016mm] X 5-3/8" [137mm] Stainless steel fabricated raised perforated grate weighing 1.9 lbs per linear foot [2.8kg/m]. The grate has an open area of 5.3 in² per linear foot [112cm²/m]. Grate conforms to DIN rating of A, ANSI rating of Light-Duty, ADA Compliant, and ASTM A240 Type 304 (or 316 by request).



PSR - Raised Perforated	
Material:	Type 304 Stainless Steel
DIN Rating:	Class A
Weight:	1.9 lbs/ft. [2.8kg/m]
Open Area:	5.3 in ² /ft. [112cm ² /m]
ANSI Rating:	Light-Duty
Application:	Heel-Proof Pedestrian
Slot Width/Hole Size:	1/4" [6.4mm]
ADA:	Yes
H-20:	No
FAA:	No

⚠ **WARNING:** Cancer and Reproductive Harm - www.P65Warnings.ca.gov

⚠ **ADVERTENCIA:** Cáncer y daño reproductivo - www.P65Warnings.ca.gov

⚠ **AVERTISSEMENT:** Cancer et effets néfastes sur la reproduction - www.P65Warnings.ca.gov

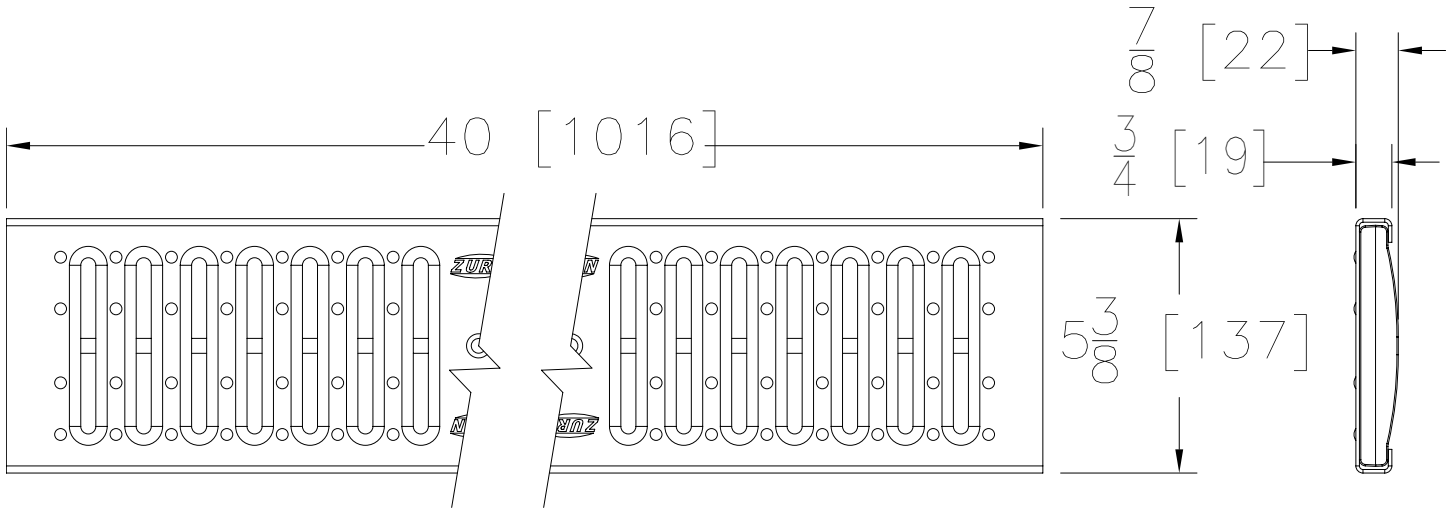


P6-RFGC
6 [152] WIDE GRATE

Design and Dimensional Data (inches and [mm]) are Subject to Manufacturing Tolerances and Change Without Notice

Please Check ✓	Item No.	Part Number	Item I.D.
	45	308340	P6-RFGC

[Back to Index](#)



RFGC GRATE ENGINEERING SPECIFICATION: ZURN P6-RFGC

40" [1016mm] X 5-3/8" [137mm] Galvanized steel reinforced slotted grate weighing 4.8 lbs per linear foot [7.2kg/m]. The grate has an open area of 12.0 in² per linear foot [254cm²/m]. Grate conforms to DIN rating of C, ANSI rating of Heavy-Duty, ADA compliant* and H-20 load rated. Galvanized skin conforms to ASTM A653, galvanized coating designation G60 and minimum spangle. Ductile Iron reinforcement ASTM A536 Grade 80-55-06. Galvanized (hot dip) conform to ASTM A123.

RFGC - Reinforced Slotted	
Material:	Galvanized Steel & Galvanized Ductile Iron
DIN Rating:	Class C
Weight:	4.8 lbs/ft. [7.2kg/m]
Open Area:	12.0 in ² /ft. [254cm ² /m]
ANSI Rating:	Heavy-Duty
Application:	Roadway
Slot Width/Hole Size:	3/8" [9.5mm]
ADA:	Yes*
H-20:	Yes
FAA:	No

* Elongated openings must be placed perpendicular to the dominant direction of travel.

⚠ **WARNING:** Cancer and Reproductive Harm - www.P65Warnings.ca.gov

⚠ **ADVERTENCIA:** Cáncer y daño reproductivo - www.P65Warnings.ca.gov

⚠ **AVERTISSEMENT:** Cancer et effets néfastes sur la reproduction - www.P65Warnings.ca.gov

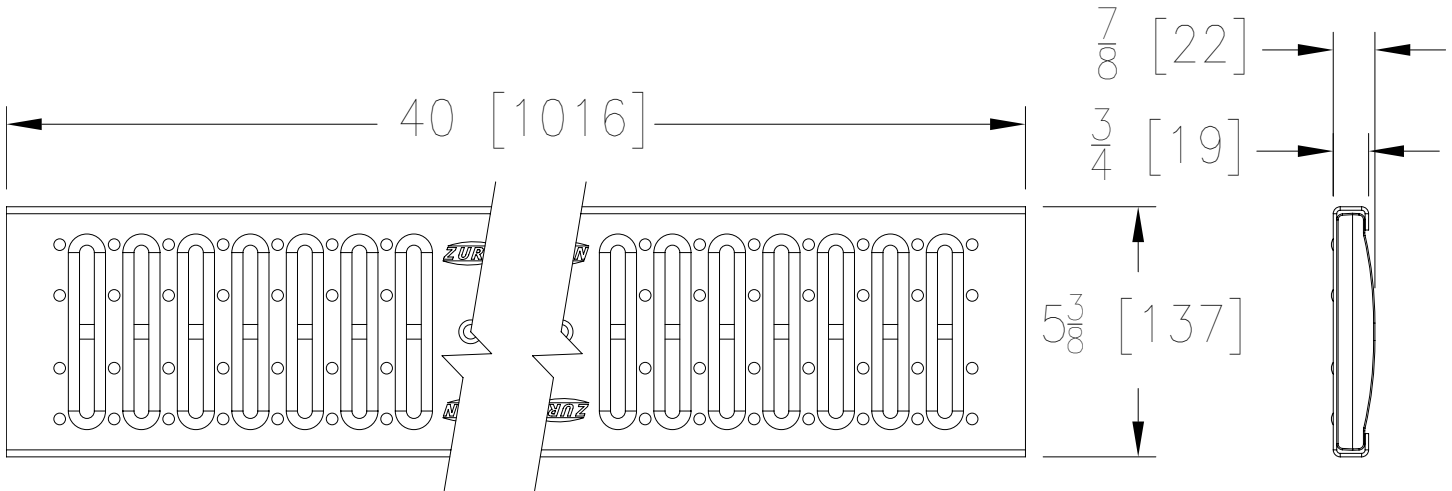


P6-RFSC
6 [152] WIDE GRATE

Design and Dimensional Data (inches and [mm]) are Subject to Manufacturing Tolerances and Change Without Notice

Please Check ✓	Item No.	Part Number	Item I.D.
	46	308340	P6-RFSC

[Back to Index](#)



RFSC GRATE ENGINEERING SPECIFICATION: ZURN P6-RFSC

40" [1016mm] X 5-3/8" [137mm] Stainless steel reinforced slotted grate weighing 5.2 lbs per linear foot [7.9kg/m]. The grate has an open area of 12.0 in² per linear foot [254cm²/m]. Grate conforms to DIN rating of C, ANSI rating of Heavy-Duty, ADA compliant* and H-20 load rating. Stainless steel grate conforms to ASTM A351 Type 304 (Grade CF8M Type 316 by request) cast body and A-240 TYPE 304 (or 316 by request) for grate skin.

RFSC - Reinforced Slotted	
Material:	Type 304 Stainless Steel
DIN Rating:	Class C
Weight:	5.2 lbs/ft. [7.9kg/m]
Open Area:	12.0 in ² /ft. [254cm ² /m]
ANSI Rating:	Heavy-Duty
Application:	Roadway
Slot Width/Hole Size:	3/8" [9.5mm]
ADA:	Yes*
H-20:	Yes
FAA:	No

* Elongated openings must be placed perpendicular to the dominant direction of travel.

⚠ **WARNING:** Cancer and Reproductive Harm - www.P65Warnings.ca.gov

⚠ **ADVERTENCIA:** Cáncer y daño reproductivo - www.P65Warnings.ca.gov

⚠ **AVERTISSEMENT:** Cancer et effets néfastes sur la reproduction - www.P65Warnings.ca.gov



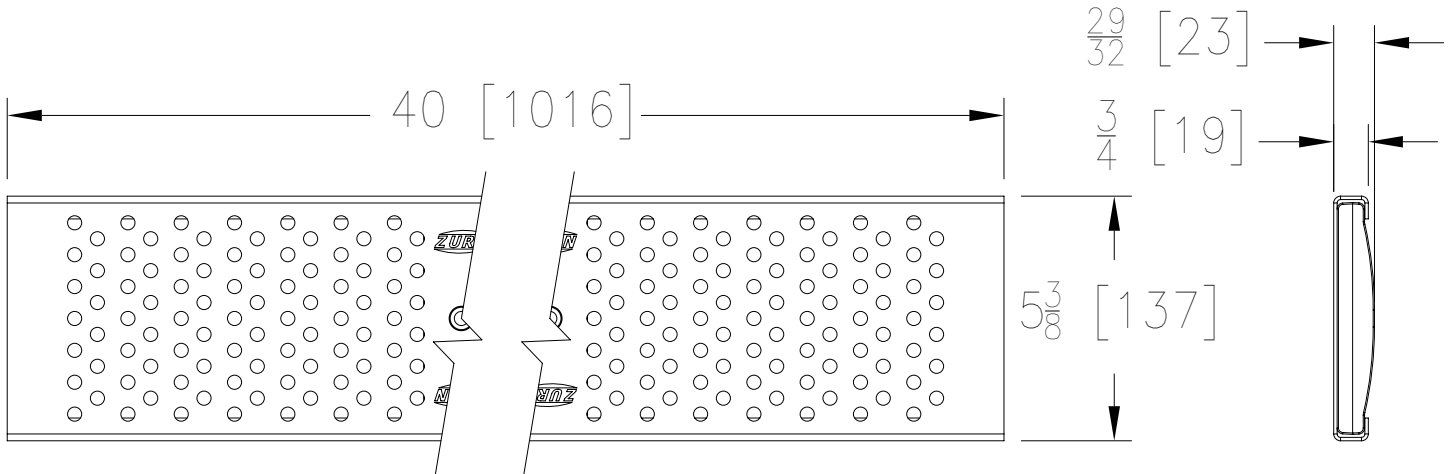
P6-RPGC

6 [152] WIDE GRATE

Design and Dimensional Data (inches and [mm]) are Subject to Manufacturing Tolerances and Change Without Notice

Please Check ✓	Item No.	Part Number	Item I.D.
	47	308342	P6-RPGC

[Back to Index](#)



RPGC GRATE ENGINEERING SPECIFICATION: ZURN P6-RPGC

40" [1016mm] X 5-3/8" [137mm] Galvanized steel reinforced perforated grate weighing 4.7 lbs per linear foot [6.9kg/m]. The grate has an open area of 8.3 in² per linear foot [175cm²/m]. Grate conforms to DIN rating of C, ANSI rating of Heavy-Duty, ADA Compliant, H-20 load rated, and ASTM A653. Galvanized coating designation G60, minimum spangle. Ductile Iron reinforcement ASTM A536 Grade 80-55-06. Galvanized (hot dip) reinforcements conform to ASTM A123.

RPGC - Reinforced Perforated	
Material:	Galvanized Steel & Galvanized Ductile Iron
DIN Rating:	Class C
Weight:	4.7 lbs/ft. [6.9kg/m]
Open Area:	8.3 in ² /ft. [175cm ² /m]
ANSI Rating:	Heavy-Duty
Application:	Roadway
Slot Width/Hole Size:	5/16" [8mm]
ADA:	Yes
H-20:	Yes
FAA:	No

- ⚠ **WARNING:** Cancer and Reproductive Harm - www.P65Warnings.ca.gov
- ⚠ **ADVERTENCIA:** Cáncer y daño reproductivo - www.P65Warnings.ca.gov
- ⚠ **AVERTISSEMENT:** Cancer et effets néfastes sur la reproduction - www.P65Warnings.ca.gov



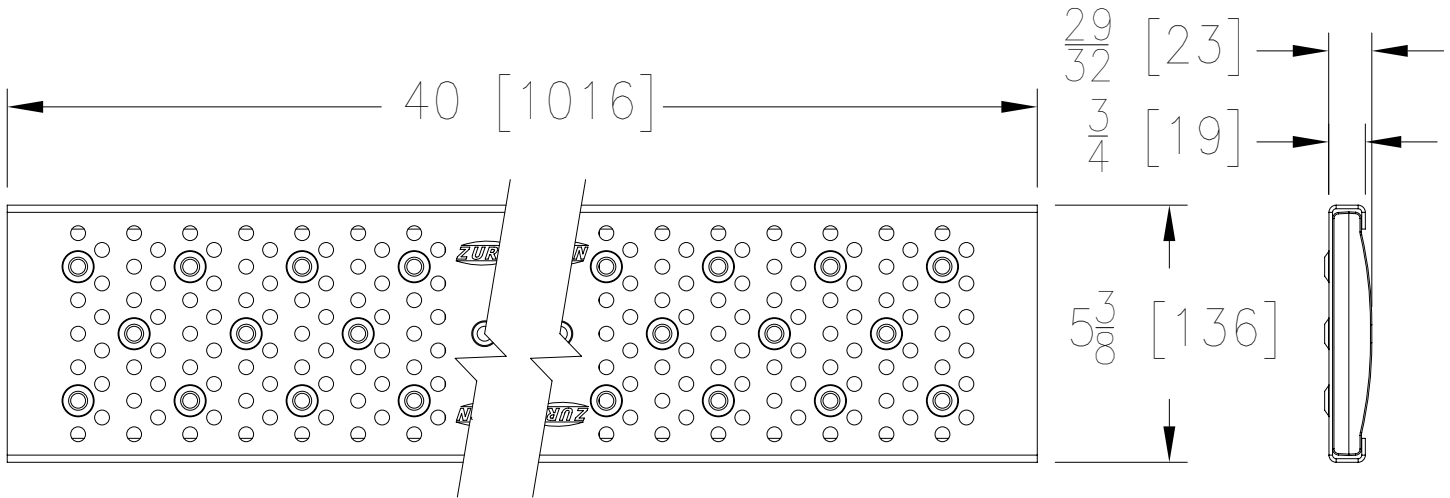
P6-RPGRC

6 [152] WIDE GRATE

Design and Dimensional Data (inches and [mm]) are Subject to Manufacturing Tolerances and Change Without Notice

Please Check ✓	Item No.	Part Number	Item I.D.
	48	308341	P6-RPGRC

[Back to Index](#)



RPGRG GRATE ENGINEERING SPECIFICATION: ZURN P6-RPGRC

40" [1016mm] X 5-3/8" [137mm] Galvanized steel reinforced perforated grate weighing 4.7 lbs per linear foot [7.0kg/m]. The Grate has an open area of 8.3 in² per linear foot [175cm²/m]. Grate conforms to DIN rating of C, ANSI rating of Heavy-Duty, ADA Compliant, H-20 load rated, and ASTM A653. Type CS-B Galvanized coating designation G60, minimum spangle. Ductile Iron reinforcement ASTM A536 Grade 80-55-06. Galvanized (hot dip) reinforcements conform to ASTM A123.

RPGRG - Reinforced Perforated Reverse Punch	
Material:	Galvanized Steel & Galvanized Ductile Iron
DIN Rating:	Class C
Weight:	4.7 lbs/ft. [7.0kg/m]
Open Area:	8.3 in ² /ft. [175cm ² /m]
ANSI Rating:	Heavy-Duty
Application:	Roadway
Slot Width/Hole Size:	5/16" [8mm]
ADA:	Yes
H-20:	Yes
FAA:	No

⚠ WARNING: Cancer and Reproductive Harm - www.P65Warnings.ca.gov

⚠ ADVERTENCIA: Cáncer y daño reproductivo - www.P65Warnings.ca.gov

⚠ AVERTISSEMENT: Cancer et effets néfastes sur la reproduction - www.P65Warnings.ca.gov



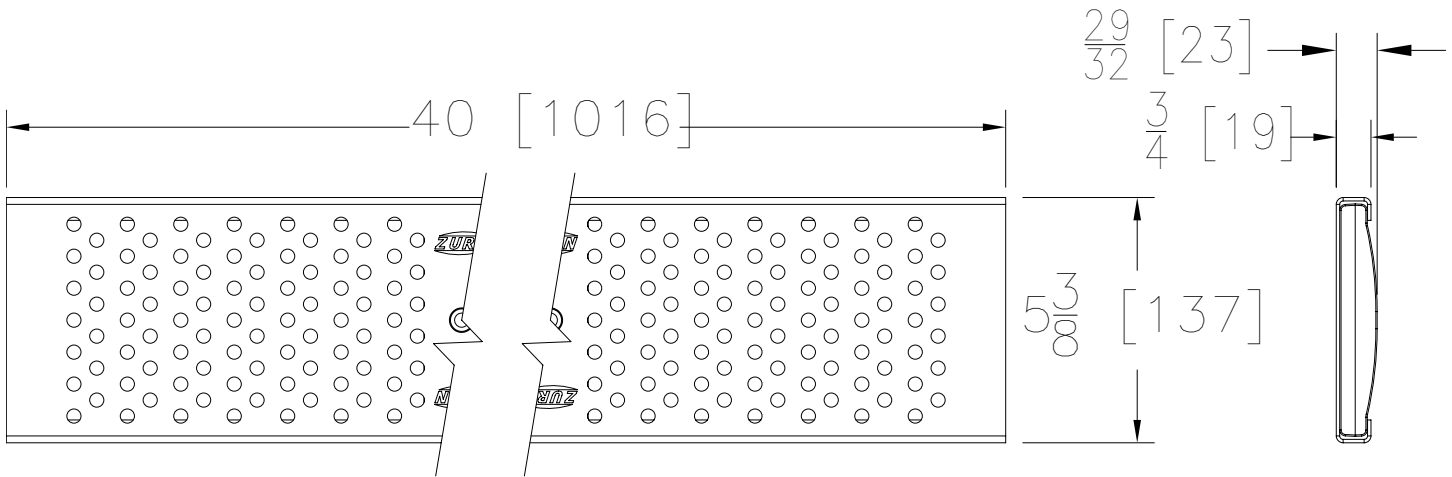
P6-RPSC

6 [152] WIDE GRATE

Design and Dimensional Data (inches and [mm]) are Subject to Manufacturing Tolerances and Change Without Notice

Please Check ✓	Item No.	Part Number	Item I.D.
	49	308342	P6-RPSC

[Back to Index](#)



RPSC GRATE ENGINEERING SPECIFICATION: ZURN P6-RPSC

40" [1016mm] X 5-3/8" [137mm] Stainless steel reinforced perforated grate weighing 5.1 lbs per linear foot [7.5kg/m]. The grate has an open area of 8.3 in² per linear foot [175cm²/m]. Grate conforms to DIN rating of C, ANSI rating of Heavy-Duty, H-20 load rated, ADA Compliant. Stainless steel grate conforms to ASTM A351 Grade CF8 Type 304 (Grade CF8M, Type 316 by request) for cast reinforcement and A-240 TYPE 304 for grate skin.

RPSC - Reinforced Perforated	
Material:	Type 304 Stainless Steel
DIN Rating:	Class C
Weight:	5.1 lbs/ft. [7.5kg/m]
Open Area:	8.3 in ² /ft. [175cm ² /m]
ANSI Rating:	Heavy-Duty
Application:	Roadway
Slot Width/Hole Size:	5/16" [8mm]
ADA:	Yes
H-20:	Yes
FAA:	No

⚠ WARNING: Cancer and Reproductive Harm - www.P65Warnings.ca.gov

⚠ ADVERTENCIA: Cáncer y daño reproductivo - www.P65Warnings.ca.gov

⚠ AVERTISSEMENT: Cancer et effets néfastes sur la reproduction - www.P65Warnings.ca.gov



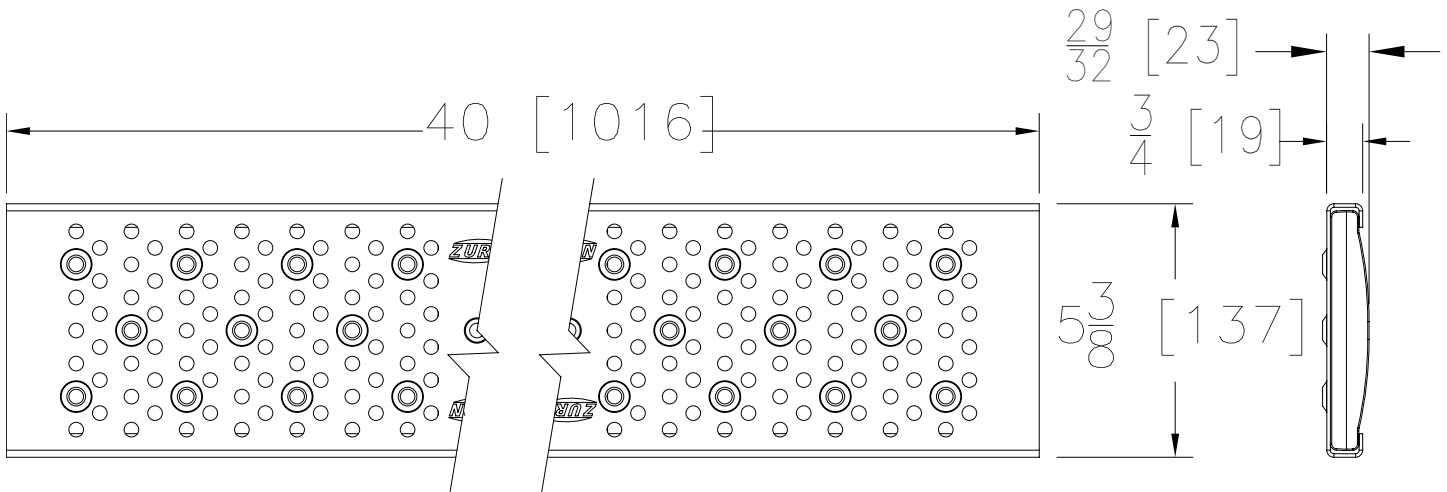
P6-RPSRC

6 [152] WIDE GRATE

Design and Dimensional Data (inches and [mm]) are Subject to Manufacturing Tolerances and Change Without Notice

Please Check ✓	Item No.	Part Number	Item I.D.
	50	308341	P6-RPSRC

[Back to Index](#)



RPSRC GRATE ENGINEERING SPECIFICATION: ZURN P6-RPSRC

40" [1016mm] X 5-3/8" [137mm] Stainless steel reinforced perforated grate weighing 5.1 lbs per linear foot [7.5kg/m]. The grate has an open area of 8.3 in² per linear foot [175cm²/m]. Grate conforms to DIN rating of C, ANSI rating of Heavy-Duty, ADA Compliant, H-20 load rated. Stainless steel grate conforms to ASTM A351 Grade CF8 Type 304 (Grade CF8M, Type 316 by request) for cast reinforcement and A-240 TYPE 304 for grate skin.

RPSRC - Reinforced Perforated Reverse Punch	
Material:	Type 304 Stainless Steel
DIN Rating:	Class C
Weight:	5.1 lbs/ft. [7.5kg/m]
Open Area:	8.3 in ² /ft. [175cm ² /m]
ANSI Rating:	Heavy-Duty
Application:	Roadway
Slot Width/Hole Size:	5/16" [8mm]
ADA:	Yes
H-20:	Yes
FAA:	No

⚠ WARNING: Cancer and Reproductive Harm - www.P65Warnings.ca.gov

⚠ ADVERTENCIA: Cáncer y daño reproductivo - www.P65Warnings.ca.gov

⚠ AVERTISSEMENT: Cancer et effets néfastes sur la reproduction - www.P65Warnings.ca.gov

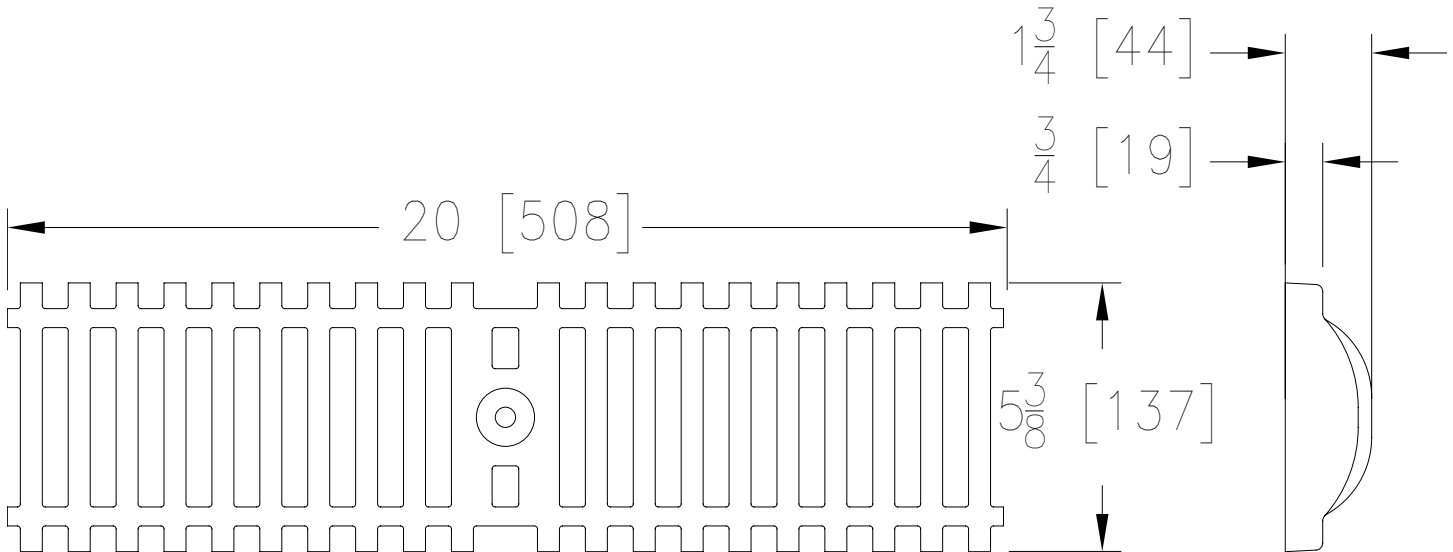


P6-SBG
6 [152] WIDE DECORATIVE GRATE

Design and Dimensional Data (inches and [mm]) are Subject to Manufacturing Tolerances and Change Without Notice

Please Check ✓	Item No.	Part Number	Item I.D.
	51	94221	P6-SBG

[Back to Index](#)



SBG GRATE ENGINEERING SPECIFICATION: ZURN P6-SBG

20" [508mm] X 5-3/8" [137mm] Stainless steel cast bar grate weighing 9.4 lbs per linear foot [14.1kg/m]. The grate has an open area of 27.7 in² per linear foot [587cm²/m], DIN rating of E, ANSI rating of Special-Duty, H-20 and FAA load rated, and A351 Grade CF8 Type 304 (Grade CF8M (TYPE 316 by request).

SBG - Cast Bar Grate	
Material:	Stainless Steel
DIN Rating:	Class E
Weight:	9.4 lbs/ft. [14.1kg/m]
Open Area:	27.7 in ² /ft. [587cm ² /m]
ANSI Rating:	Special-Duty
Application:	Dynamic Loads
Slot Width/Hole Size:	1/2" [12.7mm]
ADA:	No
H-20:	Yes
FAA:	Yes

⚠ **WARNING:** Cancer and Reproductive Harm - www.P65Warnings.ca.gov

⚠ **ADVERTENCIA:** Cáncer y daño reproductivo - www.P65Warnings.ca.gov

⚠ **AVERTISSEMENT:** Cancer et effets néfastes sur la reproduction - www.P65Warnings.ca.gov

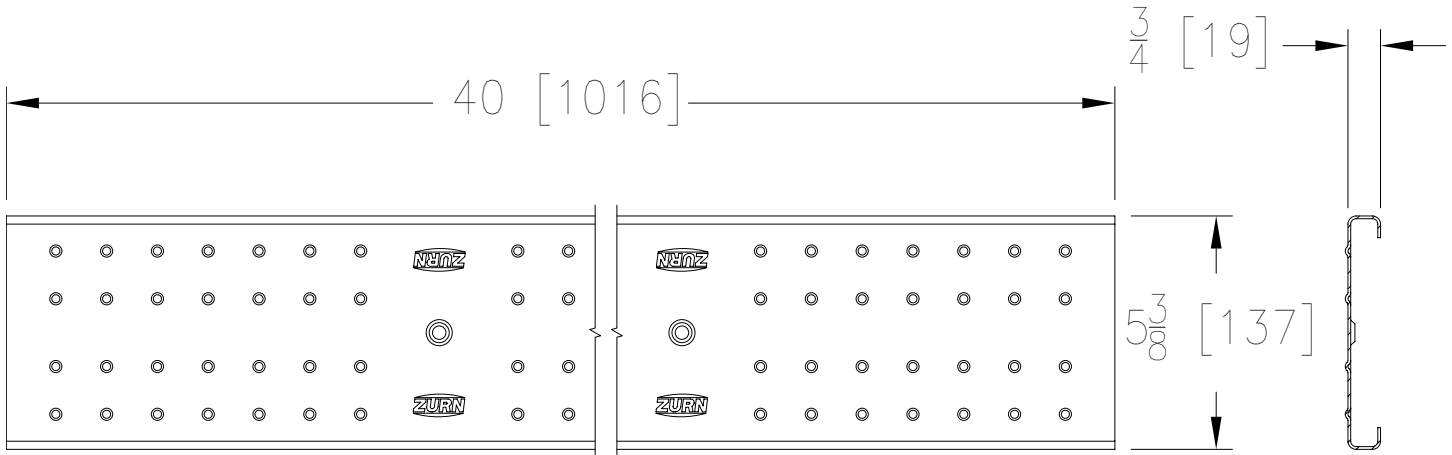


P6-SC
6 [152] WIDE S.S. SOLID COVER

Design and Dimensional Data (inches and [mm]) are Subject to Manufacturing Tolerances and Change Without Notice

Please Check ✓	Item No.	Part Number	Item I.D.
	52	60746	P6-SC

[Back to Index](#)



SC GRATE ENGINEERING SPECIFICATION: ZURN P6-SC

40" [1016mm] X 5-3/8" [137mm] Stainless steel fabricated solid cover weighing 1.6 lbs per linear foot [2.4kg/m]. Grate conforms to DIN rating of A, ANSI Rating of Light-Duty, ADA Compliant and ASTM specification A240 Type 304 (316 by request).

SC - S.S. Solid Cover	
Material:	Type 304 Stainless Steel
DIN Rating:	Class A
Weight:	1.6 lbs/ft. [2.4kg/m]
Open Area:	N/A
ANSI Rating:	Light-Duty
Application:	Heel-Proof pedestrian
Slot Width/Hole Size:	N/A
ADA:	Yes
H-20:	No
FAA:	No

⚠ **WARNING:** Cancer and Reproductive Harm - www.P65Warnings.ca.gov

⚠ **ADVERTENCIA:** Cáncer y daño reproductivo - www.P65Warnings.ca.gov

⚠ **AVERTISSEMENT:** Cancer et effets néfastes sur la reproduction - www.P65Warnings.ca.gov

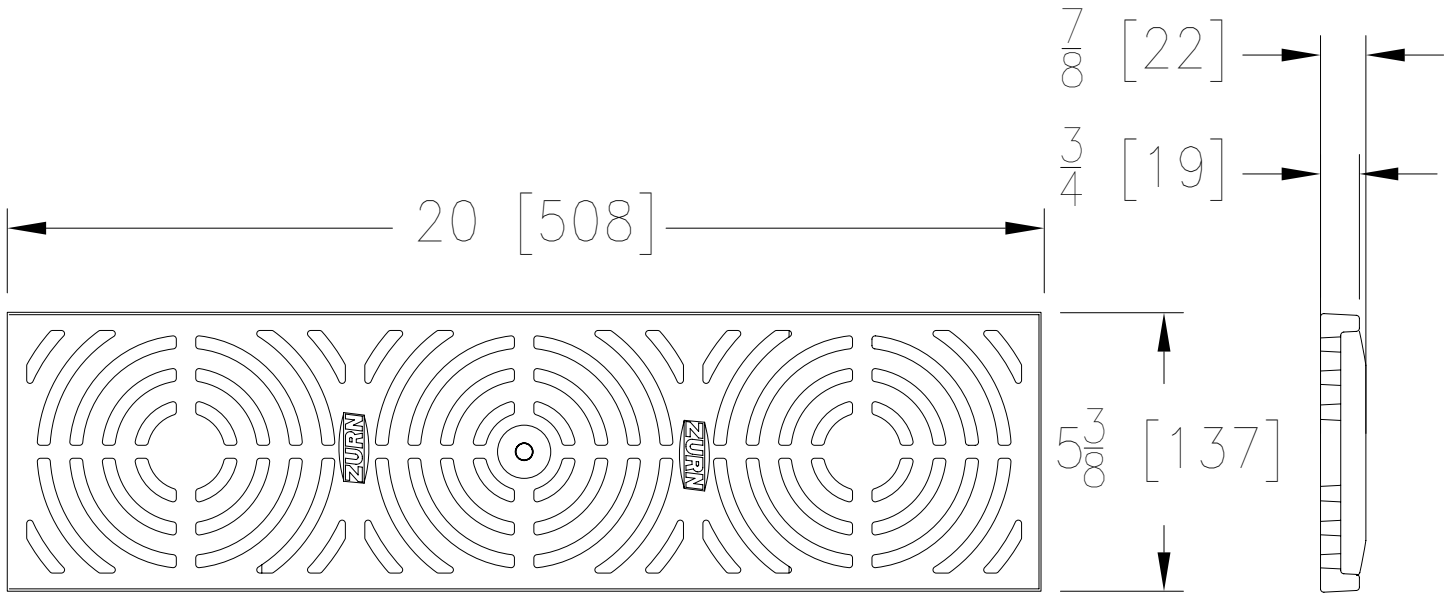


P6-SCD
6 [152] WIDE DECORATIVE GRATE

Design and Dimensional Data (inches and [mm]) are Subject to Manufacturing Tolerances and Change Without Notice

Please Check ✓	Item No.	Part Number	Item I.D.
	53	64255	P6-SCD

[Back to Index](#)



SCD GRATE ENGINEERING SPECIFICATION: ZURN P6-SCD

20" [508mm] X 5-3/8" [137mm] Stainless steel circular decorative grate weighing 7.2 lbs per linear foot [10.8kg/m]. The grate has an open area of 17.6 in² per linear foot [374cm²/m]. Grate conforms to DIN rating of B, ANSI rating of Medium-Duty, ADA Compliant and ASME A351 Grade CF8 Type 304 (Grade CF8M by request Type 316).

SCD - Circular Decorative	
Material:	Stainless Steel
DIN Rating:	Class B
Weight:	7.2 lbs/ft. [10.8kg/m]
Open Area:	17.6 in ² /ft. [374cm ² /m]
ANSI Rating:	Medium-Duty
Application:	Decorative Heel-Proof
Slot Width/Hole Size:	1/4" [6.4mm]
ADA:	Yes
H-20:	No
FAA:	No

⚠ **WARNING:** Cancer and Reproductive Harm - www.P65Warnings.ca.gov

⚠ **ADVERTENCIA:** Cáncer y daño reproductivo - www.P65Warnings.ca.gov

⚠ **AVERTISSEMENT:** Cancer et effets néfastes sur la reproduction - www.P65Warnings.ca.gov



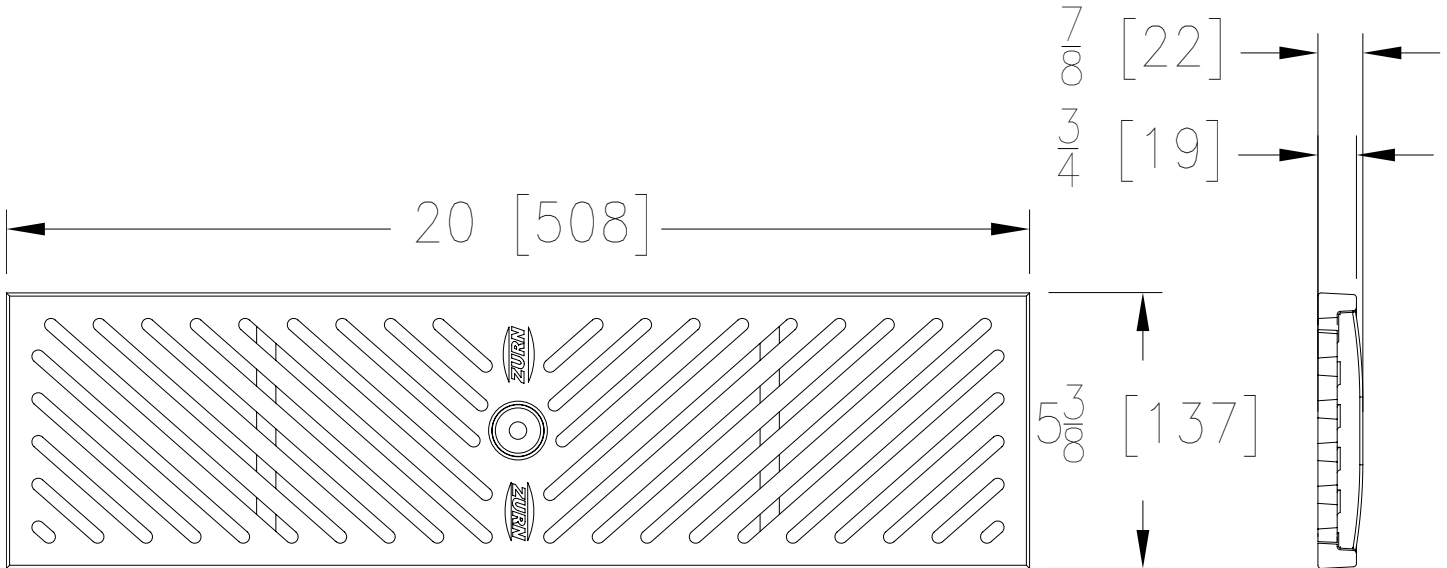
P6-SDD

6 [152] WIDE DECORATIVE GRATE

Design and Dimensional Data (inches and [mm]) are Subject to Manufacturing Tolerances and Change Without Notice

Please Check ✓	Item No.	Part Number	Item I.D.
	54	67506	P6-SDD

[Back to Index](#)



SDD GRATE ENGINEERING SPECIFICATION: ZURN P6-SDD

20" [508mm] X 5-3/8" [137mm] Stainless steel diagonal decorative grate weighing 6.3 lbs per linear foot [9.5kg/m]. The grate has an open area of 17.9 in² per linear foot [377cm²/m]. Grate conforms to DIN rating of B, ANSI rating of Medium-Duty, ADA Compliant and ASME A351 Grade CF8 TypeE 304 (Grade CF8M Type 316 by request).

SDD - Diagonal Decorative	
Material:	Stainless Steel
DIN Rating:	Class B
Weight:	6.3 lbs/ft. [9.5kg/m]
Open Area:	17.9 in ² /ft. [377cm ² /m]
ANSI Rating:	Medium-Duty
Application:	Heel-Proof
Slot Width/Hole Size:	1/4" [6.4mm]
ADA:	Yes
H-20:	No
FAA:	No

⚠ WARNING: Cancer and Reproductive Harm - www.P65Warnings.ca.gov

⚠ ADVERTENCIA: Cáncer y daño reproductivo - www.P65Warnings.ca.gov

⚠ AVERTISSEMENT: Cancer et effets néfastes sur la reproduction - www.P65Warnings.ca.gov



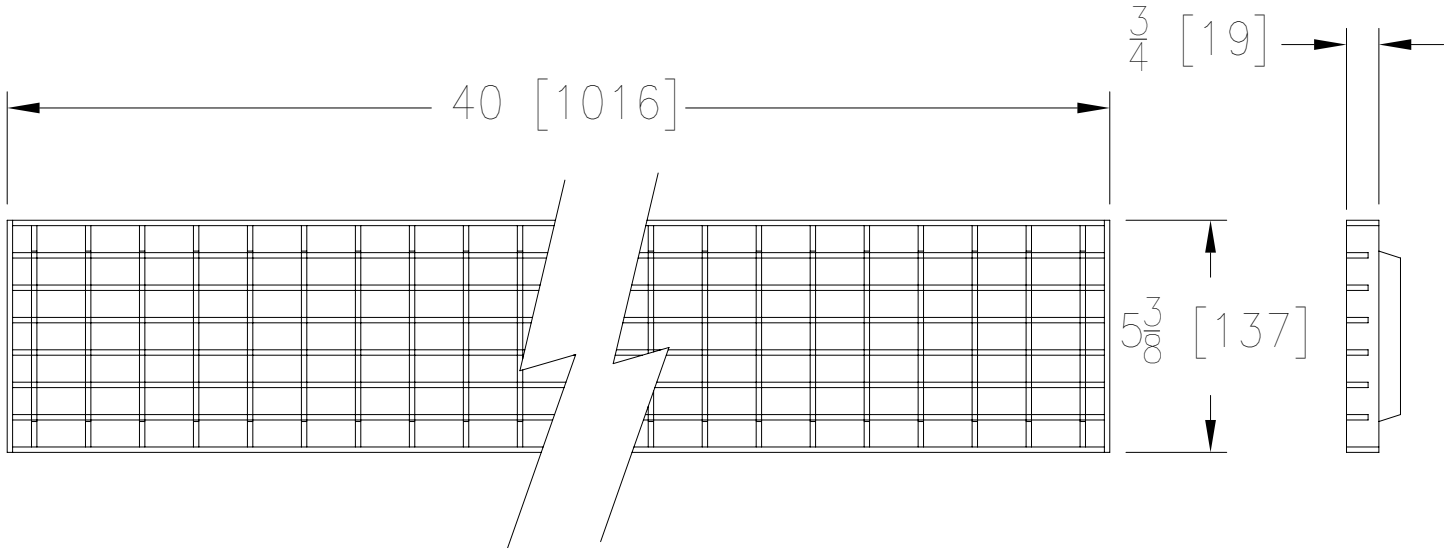
P6-SMG

6 [152] WIDE DECORATIVE GRATE

Design and Dimensional Data (inches and [mm]) are Subject to Manufacturing Tolerances and Change Without Notice

Please Check ✓	Item No.	Part Number	Item I.D.
	55	64249	P6-SMG

[Back to Index](#)



SMG GRATE ENGINEERING SPECIFICATION: ZURN P6-SMG

40" [1016mm] X 5-3/8" [137mm] Stainless steel mesh screen grate weighing 3.9 lbs per linear foot [5.9kg/m]. The grate has an open area of 47.0 in² per linear foot [994cm²/m]. Grate conforms to DIN rating of B, ANSI rating of Medium Duty and ASTM A351 Grade CF8 Type 304 (Grade CF8M Type 316 by request).

SMG - Mesh Screen	
Material:	Stainless Steel
DIN Rating:	Class B
Weight:	3.9 lbs/ft. [5.9kg/m]
Open Area:	47.0 in ² /ft. [994cm ² /m]
ANSI Rating:	Medium-Duty
Application:	Sidewalks, Light Traffic
Slot Width/Hole Size:	1-1/8" [29mm]
ADA:	No
H-20:	No
FAA:	No

⚠ WARNING: Cancer and Reproductive Harm - www.P65Warnings.ca.gov

⚠ ADVERTENCIA: Cáncer y daño reproductivo - www.P65Warnings.ca.gov

⚠ AVERTISSEMENT: Cancer et effets néfastes sur la reproduction - www.P65Warnings.ca.gov



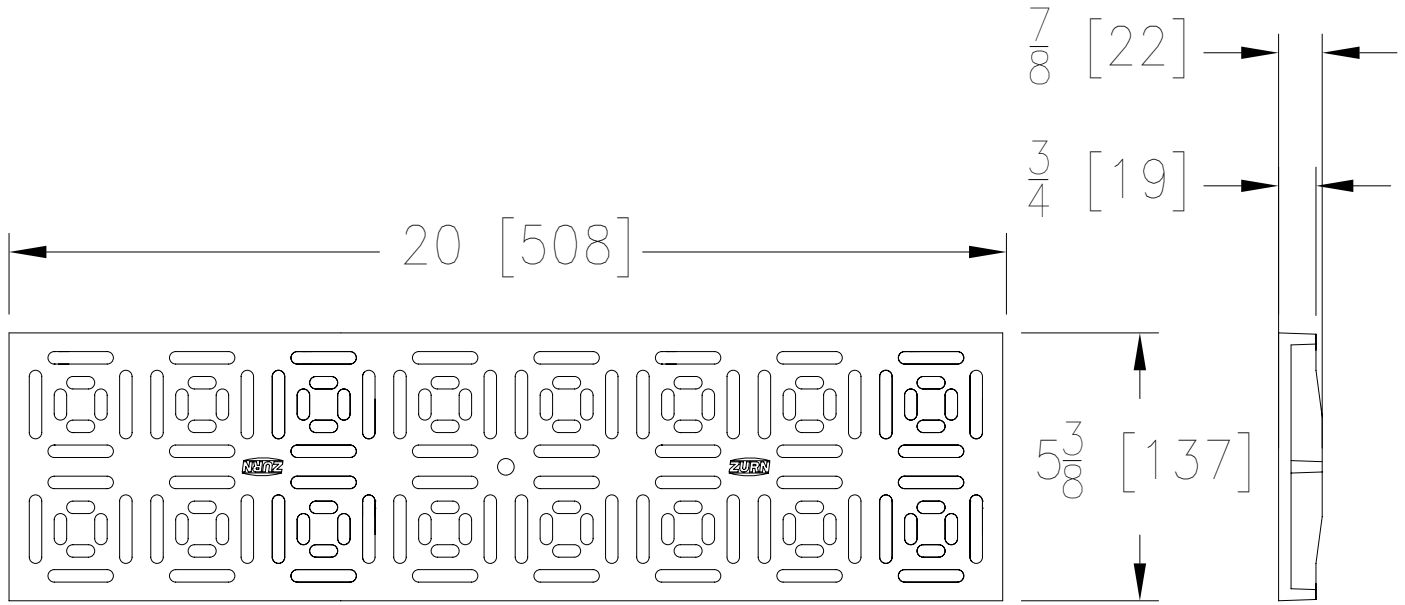
P6-SOG

6 [152] WIDE DECORATIVE GRATE

Design and Dimensional Data (inches and [mm]) are Subject to Manufacturing Tolerances and Change Without Notice

Please Check ✓	Item No.	Part Number	Item I.D.
	56	64054	P6-SOG

[Back to Index](#)



SOG GRATE ENGINEERING SPECIFICATION: ZURN P6-SOG

20" [508mm] X 5-3/8" [137mm] Stainless steel ornamental grate weighing 5.6 lbs per linear foot [8.2kg/m]. The grate has an open area of 16.9 in² per linear foot [357cm²/m]. Grate conforms to DIN rating of B, ANSI rating of Medium-Duty, ADA Compliant and ASTM A351 Grade CF8 Type 304 (Grade CF8M Type 316 by request).

SOG - Ornamental Grate	
Material:	Stainless Steel
DIN Rating:	Class B
Weight:	5.6 lbs/ft. [8.2kg/m]
Open Area:	16.9 in ² /ft. [357cm ² /m]
ANSI Rating:	Medium-Duty
Application:	Decorative Heel-Proof
Slot Width/Hole Size:	1/4" [6.4mm]
ADA:	Yes
H-20:	No
FAA:	No

⚠ WARNING: Cancer and Reproductive Harm - www.P65Warnings.ca.gov

⚠ ADVERTENCIA: Cáncer y daño reproductivo - www.P65Warnings.ca.gov

⚠ AVERTISSEMENT: Cancer et effets néfastes sur la reproduction - www.P65Warnings.ca.gov



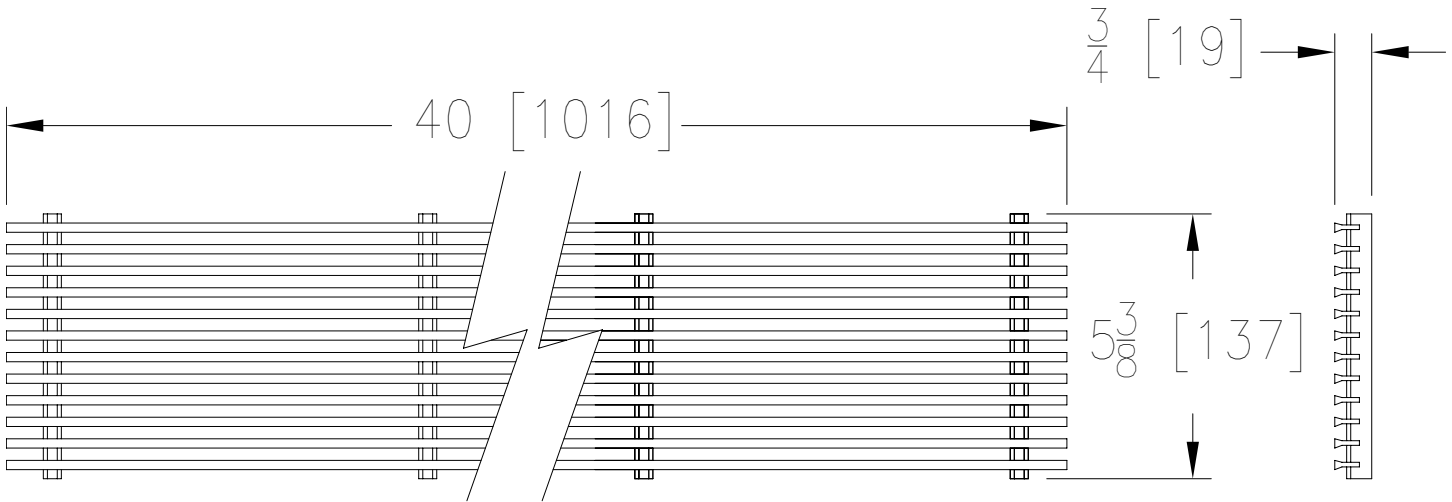
P6-SWG

6 [152] WIDE DECORATIVE GRATE

Design and Dimensional Data (inches and [mm]) are Subject to Manufacturing Tolerances and Change Without Notice

Please Check ✓	Item No.	Part Number	Item I.D.
	57	94081	P6-SWG

[Back to Index](#)



SWG GRATE ENGINEERING SPECIFICATION: ZURN P6-SWG

40" [1016mm] X 5-3/8" [137mm] Stainless steel wire grate weighing 2.5 lbs per linear foot [3.6kg/m]. The grate has an open area of 37.5 in² per linear foot [794cm²/m]. Grate conforms to DIN rating of A, ANSI rating of Light-Duty, ADA Compliant* and ASTM specification A-240 Type 304.

SWG - Wire Grate	
Material:	Stainless Steel
DIN Rating:	Class A
Weight:	2.5 lbs/ft. [3.6kg/m]
Open Area:	37.5 in ² /ft. [794cm ² /m]
ANSI Rating:	Light-Duty
Application:	Decorative Heel-Proof
Slot Width/Hole Size:	1/4" [6.4mm]
ADA:	Yes*
H-20:	No
FAA:	No



* Elongated openings must be placed perpendicular to the dominant direction of travel.

- ⚠ **WARNING:** Cancer and Reproductive Harm - www.P65Warnings.ca.gov
- ⚠ **ADVERTENCIA:** Cáncer y daño reproductivo - www.P65Warnings.ca.gov
- ⚠ **AVERTISSEMENT:** Cancer et effets néfastes sur la reproduction - www.P65Warnings.ca.gov

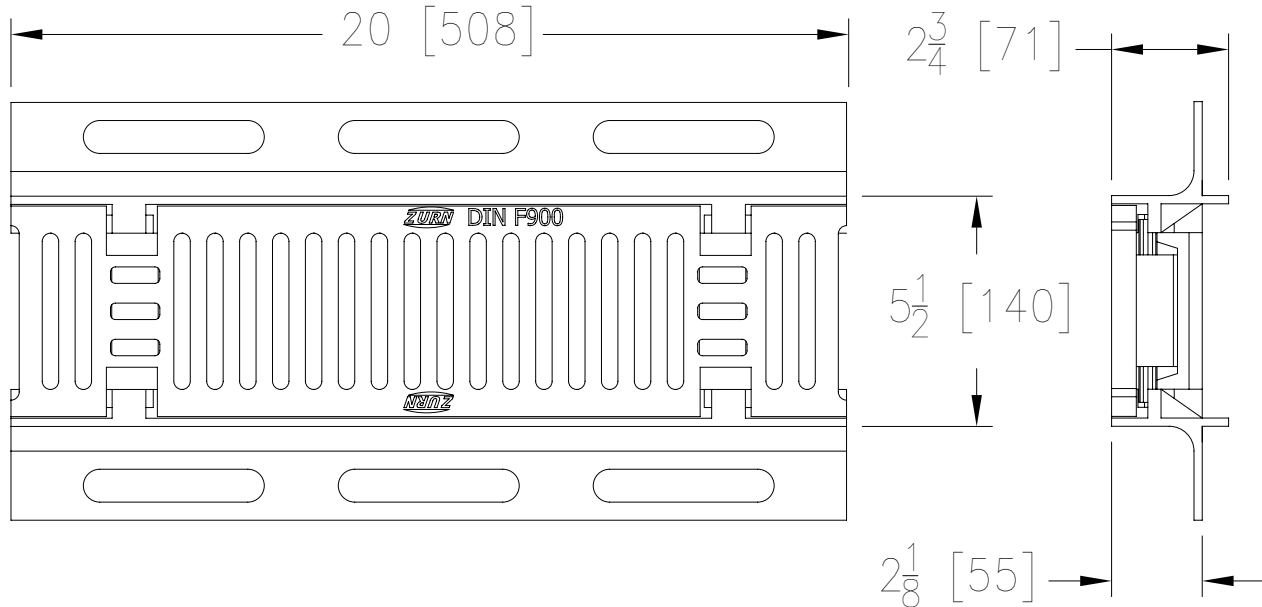


P886-FGF
6 [152] WIDE GRATE

Design and Dimensional Data (inches and [mm]) are Subject to Manufacturing Tolerances and Change Without Notice

Please Check ✓	Item No.	Part Number	Item I.D.
	58	64355	P886-FGF

[Back to Index](#)



FGF GRATE ENGINEERING SPECIFICATION: ZURN P886-FGF

20" [508mm] X 5-1/2" [140mm] Ductile Iron frame and grate weighing 18.7 lbs per linear foot [27.9kg/m]. The grate has an open area of 20.5 in² per linear foot [433cm²/m]. Frame and grate conforms to DIN rating of F, ANSI rating of Special-Duty, H-20 and FAA load rated, and ASTM A536 Grade 80-55-06.

*ONLY AVAILABLE WITH Z886 TRENCH DRAIN SYSTEM

FGF - Ductile Frame & Grate	
Material:	Ductile Iron
DIN Rating:	Class F
Weight:	18.7 lbs/ft. [27.9kg/m]
Open Area:	20.5 in ² /ft. [433cm ² /m]
ANSI Rating:	Special-Duty
Application:	Extra Heavy loads
Slot Width/Hole Size:	3/8" [9.5mm]
ADA:	No
H-20:	Yes
FAA:	Yes

⚠ **WARNING:** Cancer and Reproductive Harm - www.P65Warnings.ca.gov

⚠ **ADVERTENCIA:** Cáncer y daño reproductivo - www.P65Warnings.ca.gov

⚠ **AVERTISSEMENT:** Cancer et effets néfastes sur la reproduction - www.P65Warnings.ca.gov



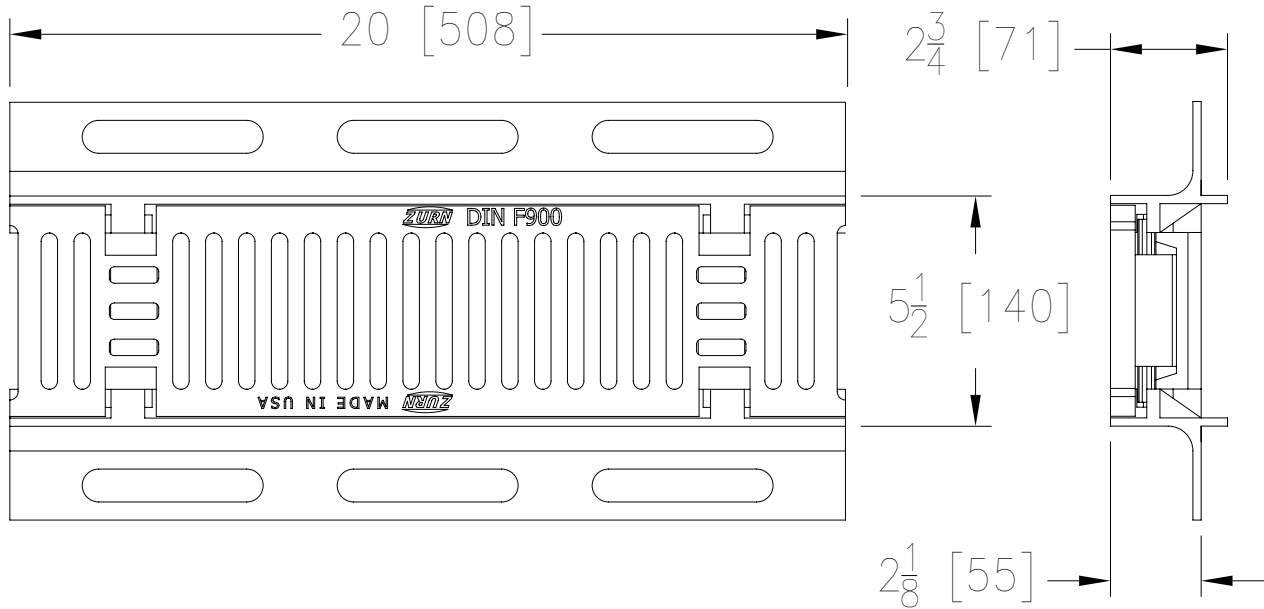
P886-FGF-USA

6 [152] WIDE DOMESTIC GRATE

Design and Dimensional Data (inches and [mm]) are Subject to Manufacturing Tolerances and Change Without Notice

Please Check ✓	Item No.	Part Number	Item I.D.
	59	64355	P886-FGF-USA

[Back to Index](#)



FGF-USA GRATE ENGINEERING SPECIFICATION: ZURN P886-FGF-USA

20" [508mm] X 5-1/2" [140mm] Ductile Iron frame and grate weighing 18.7 lbs per linear foot [27.9kg/m]. The grate has an open area of 20.5 in² per linear foot [433cm²/m]. Frame and grate conforms to DIN rating of F, ANSI rating of Special-Duty, H-20 and FAA load rated and ASTM A536 Grade 80-55-06.

** Grate is shipped unpainted unless otherwise specified.

*ONLY AVAILABLE WITH Z886 TRENCH DRAIN SYSTEM



FGF-USA - Ductile Frame & Grate	
Material:	Ductile Iron
DIN Rating:	Class F
Weight:	18.7 lbs/ft. [27.9kg/m]
Open Area:	20.5 in ² /ft. [433cm ² /m]
ANSI Rating:	Special-Duty
Application:	Extra Heavy loads
Slot Width/Hole Size:	3/8" [9.5mm]
ADA:	No
H-20:	Yes
FAA:	Yes

⚠ **WARNING:** Cancer and Reproductive Harm - www.P65Warnings.ca.gov

⚠ **ADVERTENCIA:** Cáncer y daño reproductivo - www.P65Warnings.ca.gov

⚠ **AVERTISSEMENT:** Cancer et effets néfastes sur la reproduction - www.P65Warnings.ca.gov

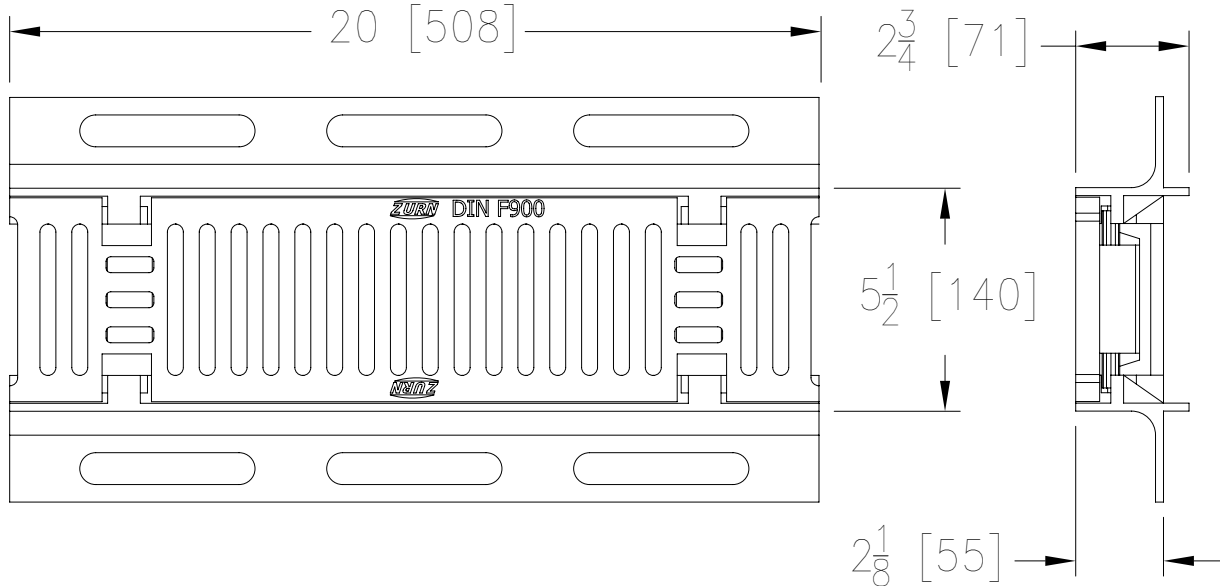


P886-GFG
6 [152] WIDE GRATE

Design and Dimensional Data (inches and [mm]) are Subject to Manufacturing Tolerances and Change Without Notice

Please Check ✓	Item No.	Part Number	Item I.D.
	60	64355	P886-GFG

[Back to Index](#)



GFG GRATE ENGINEERING SPECIFICATION: ZURN P886-GFG

20" [508mm] X 5-1/2" [140mm] Galvanized Ductile Iron frame and grate weighing 18.7 lbs per linear foot [27.9kg/m]. The grate has an open area of 20.5 in² per linear foot [433cm²/m]. Frame and grate conforms to DIN rating of F, ANSI rating of Special-Duty, H-20 and FAA load rated and ASTM A536 Grade 80-55-06. Galvanized (hot dip) conforms to ASTM A123.

*ONLY AVAILABLE WITH Z886 TRENCH DRAIN SYSTEM

GFG - Ductile Frame & Grate	
Material:	Galvanized Ductile Iron
DIN Rating:	Class F
Weight:	18.7 lbs/ft. [27.9kg/m]
Open Area:	20.5 in ² /ft. [433cm ² /m]
ANSI Rating:	Special-Duty
Application:	Extra Heavy loads
Slot Width/Hole Size:	3/8" [9.5mm]
ADA:	No
H-20:	Yes
FAA:	Yes

⚠ **WARNING:** Cancer and Reproductive Harm - www.P65Warnings.ca.gov

⚠ **ADVERTENCIA:** Cáncer y daño reproductivo - www.P65Warnings.ca.gov

⚠ **AVERTISSEMENT:** Cancer et effets néfastes sur la reproduction - www.P65Warnings.ca.gov



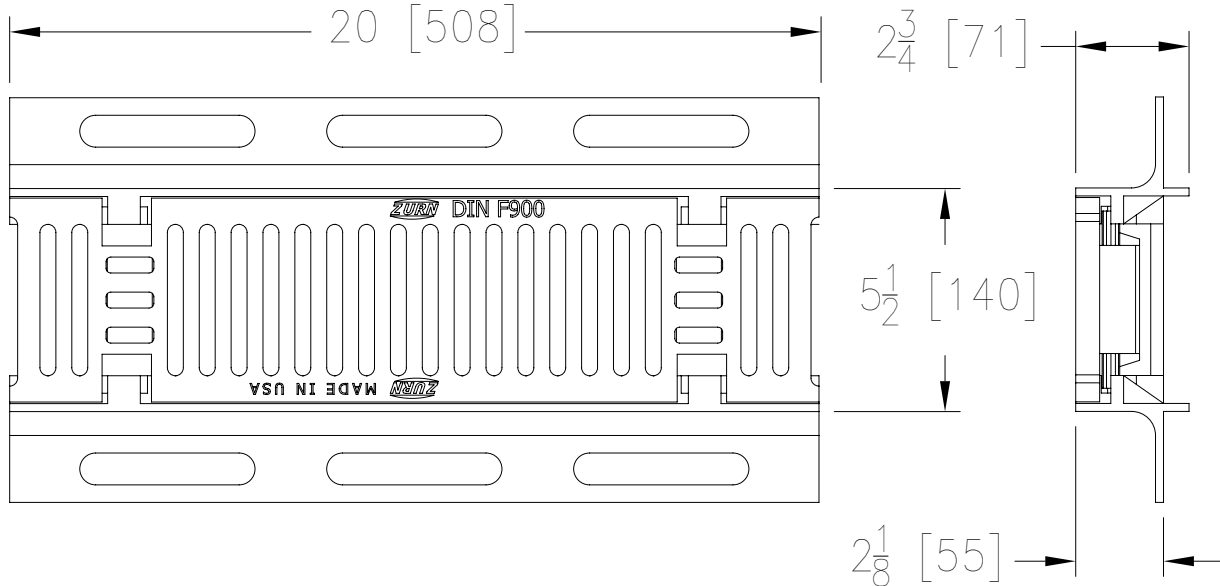
P886-GFG-USA

6 [152] WIDE DOMESTIC GRATE

Design and Dimensional Data (inches and [mm]) are Subject to Manufacturing Tolerances and Change Without Notice

Please Check ✓	Item No.	Part Number	Item I.D.
	61	64355	P886-GFG-USA

[Back to Index](#)



GFG-USA GRATE ENGINEERING SPECIFICATION: ZURN P886-GFG-USA

20" [508mm] X 5-1/2" [140mm] Galvanized Ductile Iron frame and grate weighing 18.7 lbs per linear foot [27.9kg/m]. The grate has an open area of 20.5 in² per linear foot [433cm²/m]. Frame and grate conforms to DIN rating of F, ANSI rating of Special-Duty, H-20 and FAA load rated ASTM A536 Grade 80-55-06. Galvanized (hot dip) conforms to ASTM A123.

*ONLY AVAILABLE WITH Z886 TRENCH DRAIN SYSTEM



GFG-USA - Ductile Frame & Grate	
Material:	Galvanized Ductile Iron
DIN Rating:	Class F
Weight:	18.7 lbs/ft. [27.9kg/m]
Open Area:	20.5 in ² /ft. [433cm ² /m]
ANSI Rating:	Special-Duty
Application:	Extra Heavy loads
Slot Width/Hole Size:	3/8" [9.5mm]
ADA:	No
H-20 / H-25:	Yes
FAA:	Yes

⚠ **WARNING:** Cancer and Reproductive Harm - www.P65Warnings.ca.gov

⚠ **ADVERTENCIA:** Cáncer y daño reproductivo - www.P65Warnings.ca.gov

⚠ **AVERTISSEMENT:** Cancer et effets néfastes sur la reproduction - www.P65Warnings.ca.gov



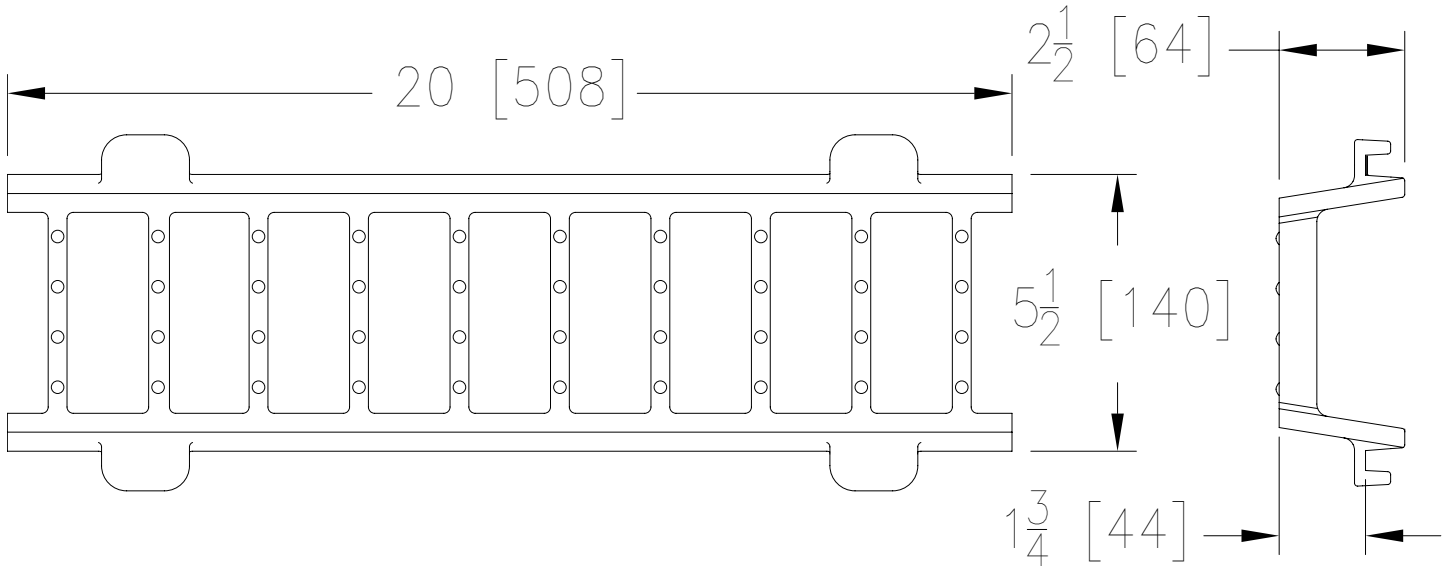
P886-HDD

6 [152] WIDE DOMESTIC GRATE

Design and Dimensional Data (inches and [mm]) are Subject to Manufacturing Tolerances and Change Without Notice

Please Check ✓	Item No.	Part Number	Item I.D.
	62	94045	P886-HDD

[Back to Index](#)



HDD GRATE ENGINEERING SPECIFICATION: ZURN P886-HDD

20" [508mm] X 5-1/2" [140mm] Ductile Iron fixed grate weighing 7.7 lbs per linear foot [11.5kg/m]. The grate has an open area of 38.8 in² per linear foot [820cm²/m]. DIN rating of C, ANSI rating of Heavy-Duty, H-20/H-25 load rated and ASTM A536 Grade 80-55-06.

*ONLY AVAILABLE WITH Z886 TRENCH DRAIN SYSTEM



HDD - Fixed Grate	
Material:	Ductile Iron
DIN Rating:	Class C
Weight:	7.7 lbs/ft. [11.5kg/m]
Open Area:	38.8 in ² /ft. [820cm ² /m]
ANSI Rating:	Heavy-Duty
Application:	Highways, Parking lots
Slot Width/Hole Size:	1-3/4" [44mm]
ADA:	No
H-20 / H-25::	Yes
FAA:	No

⚠ **WARNING:** Cancer and Reproductive Harm - www.P65Warnings.ca.gov

⚠ **ADVERTENCIA:** Cáncer y daño reproductivo - www.P65Warnings.ca.gov

⚠ **AVERTISSEMENT:** Cancer et effets néfastes sur la reproduction - www.P65Warnings.ca.gov

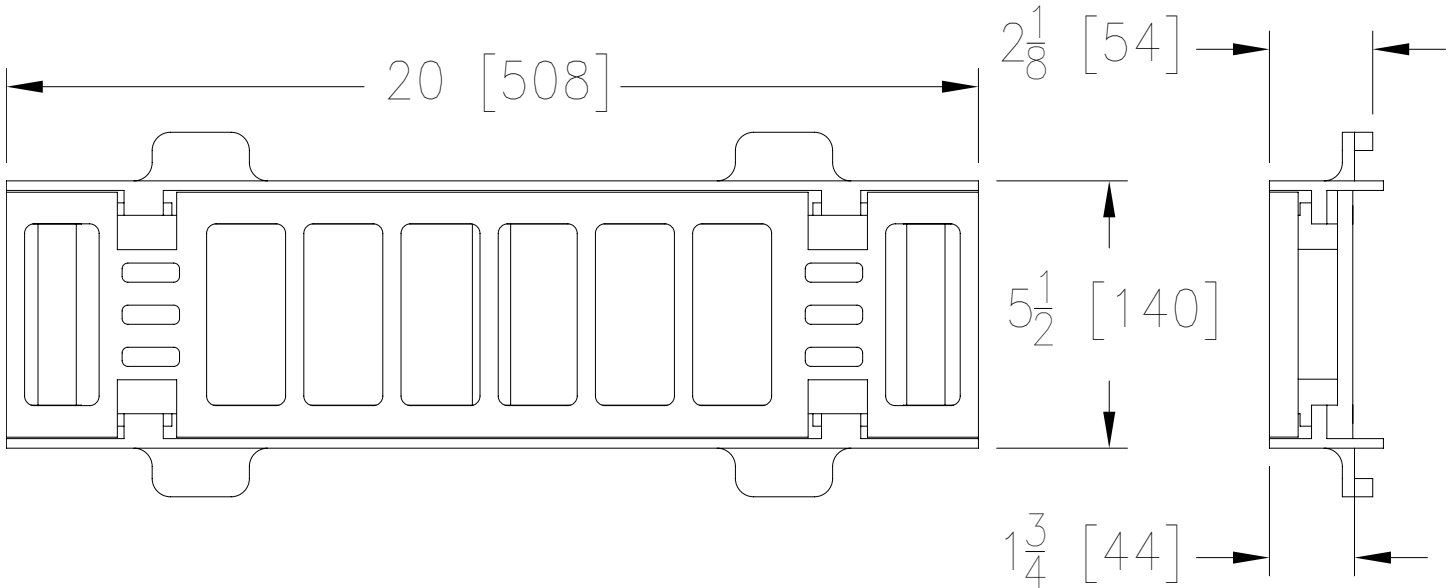


P886-HR
6 [152] WIDE DOMESTIC GRATE

Design and Dimensional Data (inches and [mm]) are Subject to Manufacturing Tolerances and Change Without Notice

Please Check ✓	Item No.	Part Number	Item I.D.
	63	94066	P886-HR

[Back to Index](#)



HR GRATE ENGINEERING SPECIFICATION: ZURN P886-HR

20" [508mm] X 5-1/2" [140mm] Ductile Iron removable frame and grate weighing 12.3 lbs per linear foot [18.4kg/m]. The grate has an open area of 32.8 in² per linear foot [695cm²/m]. Frame and grate conforms to DIN rating of C, ANSI rating of Heavy-Duty, H-20/H-25 load rated and ASTM A536 Grade 80-55-06.

*ONLY AVAILABLE WITH Z886 TRENCH DRAIN SYSTEM



HR - Removable Grate	
Material:	Ductile Iron
DIN Rating:	Class C
Weight:	12.3 lbs/ft. [18.4kg/m]
Open Area:	32.8 in ² /ft. [695cm ² /m]
ANSI Rating:	Heavy-Duty
Application:	Highways, Parking lots
Slot Width/Hole Size:	1-5/8" [41mm]
ADA:	No
H-20 / H-25::	Yes
FAA:	No

- ⚠ **WARNING:** Cancer and Reproductive Harm - www.P65Warnings.ca.gov
- ⚠ **ADVERTENCIA:** Cáncer y daño reproductivo - www.P65Warnings.ca.gov
- ⚠ **AVERTISSEMENT:** Cancer et effets néfastes sur la reproduction - www.P65Warnings.ca.gov



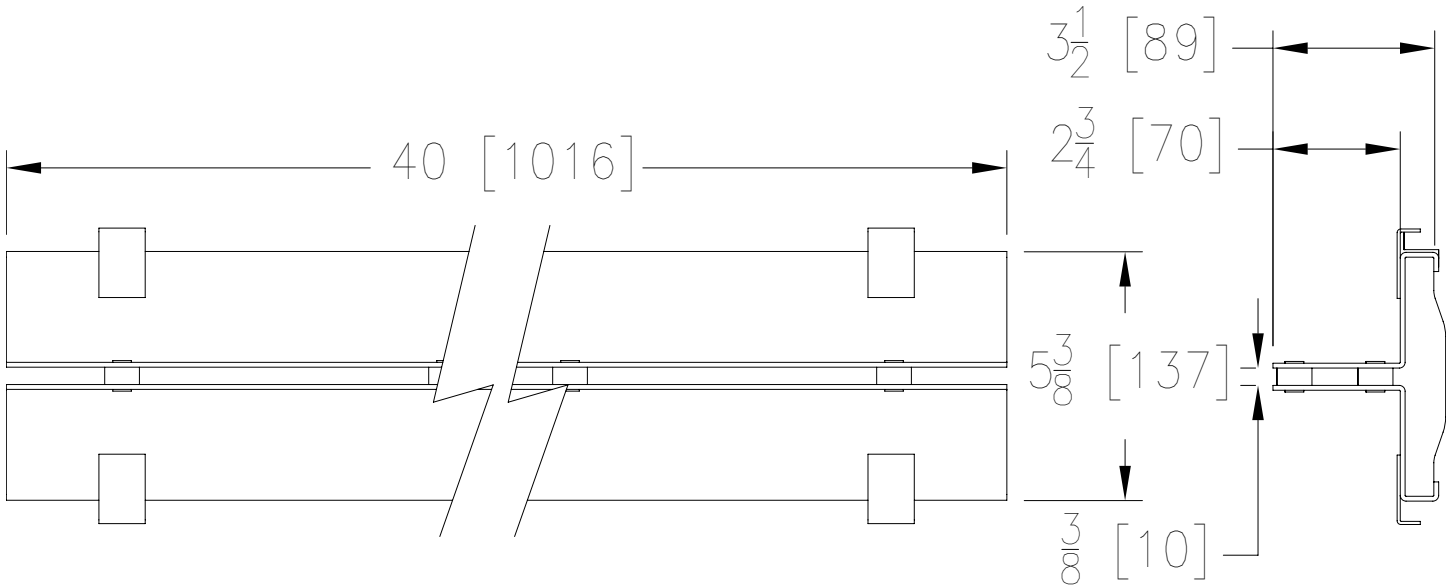
P886-PVS

6 [152] WIDE DOMESTIC DECORATIVE GRATE

Design and Dimensional Data (inches and [mm]) are Subject to Manufacturing Tolerances and Change Without Notice

Please Check ✓	Item No.	Part Number	Item I.D.
	64	94287	P886-PVS

[Back to Index](#)



PVS GRATE ENGINEERING SPECIFICATION: ZURN P886-PVS

40" [1016mm] X 5-3/8" [137 mm] Fabricated steel paver slot grate weighing 4.6 lbs per linear foot [6.9kg/m]. The grate has an open area of 6.0 in² per linear foot [128cm²/m]. Grate conforms to DIN rating of B, ANSI rating of Medium-Duty, ADA compliant and ASTM A36. (Only available with Z886 trench drain system)



PVS - Paver Slot Grate	
Material:	Carbon Steel
DIN Rating:	Class B
Weight:	4.6 lbs/ft. [6.9kg/m]
Open Area:	6.0 in ² /ft. [128cm ² /m]
ANSI Rating:	Medium-Duty
Application:	Sidewalks, Light Traffic
Slot Width/Hole Size:	1/2" [12.7mm]
ADA:	Yes*
H-20 / H-25:::	No
FAA:	No

* Elongated openings must be placed perpendicular to the dominant direction of travel.

⚠ **WARNING:** Cancer and Reproductive Harm - www.P65Warnings.ca.gov

⚠ **ADVERTENCIA:** Cáncer y daño reproductivo - www.P65Warnings.ca.gov

⚠ **AVERTISSEMENT:** Cancer et effets néfastes sur la reproduction - www.P65Warnings.ca.gov



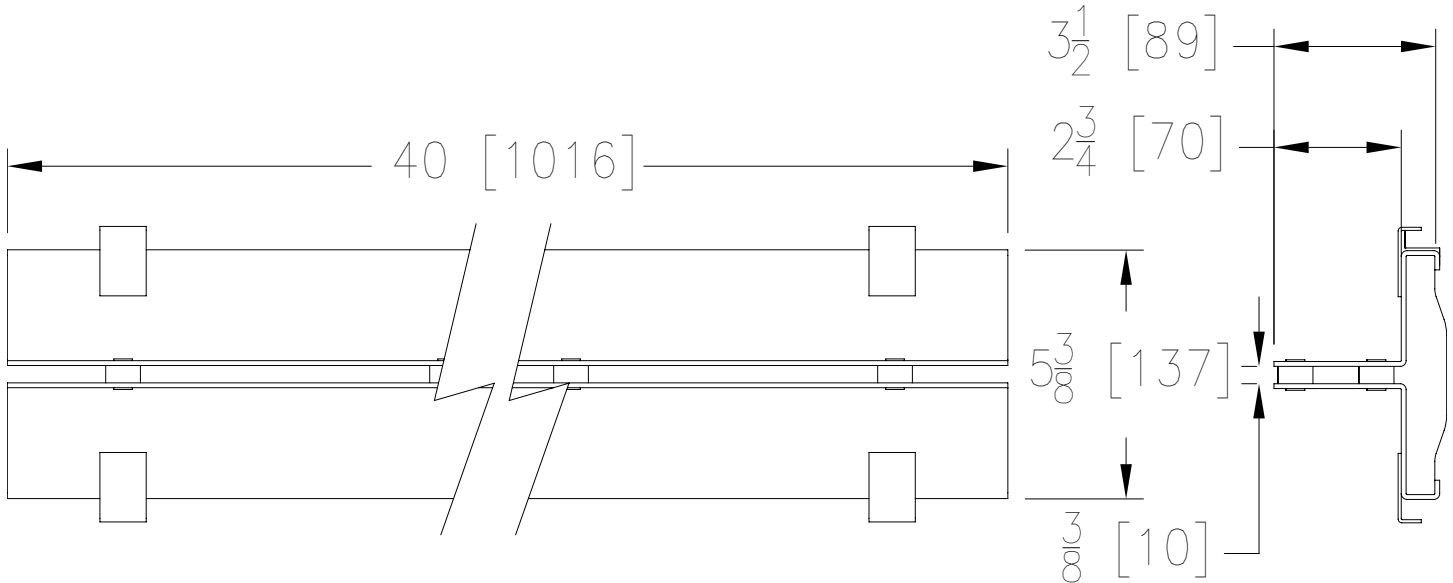
P886-PVSG

6 [152] WIDE DOMESTIC DECORATIVE GRATE

Design and Dimensional Data (inches and [mm]) are Subject to Manufacturing Tolerances and Change Without Notice

Please Check ✓	Item No.	Part Number	Item I.D.
	65	94287	P886-PVSG

[Back to Index](#)



PVSG GRATE ENGINEERING SPECIFICATION: ZURN P886-PVSG

40" [1016mm] X 5-3/8" [137mm] Fabricated galvanized steel paver slot grate weighing 4.6 lbs per linear foot [6.9kg/m]. The grate has an open area of 6.0 in² per linear foot [128cm²/m]. Grate conforms to DIN rating of B, ANSI rating of Medium-Duty, ADA compliant* and ASTM A36. Galvanized (hot dip) conforms to ASTM A123. (Only available with Z886 trench drain system)



PVSG - Paver Slot Grate	
Material:	Galvanized Steel
DIN Rating:	Class B
Weight:	4.6 lbs/ft. [6.9kg/m]
Open Area:	6.0 in ² /ft. [128cm ² /m]
ANSI Rating:	Medium-Duty
Application:	Sidewalks, Light Traffic
Slot Width/Hole Size:	1/2" [12.7mm]
ADA:	Yes*
H-20:	No
FAA:	No

* Elongated openings must be placed perpendicular to the dominant direction of travel.

⚠ **WARNING:** Cancer and Reproductive Harm - www.P65Warnings.ca.gov

⚠ **ADVERTENCIA:** Cáncer y daño reproductivo - www.P65Warnings.ca.gov

⚠ **AVERTISSEMENT:** Cancer et effets néfastes sur la reproduction - www.P65Warnings.ca.gov



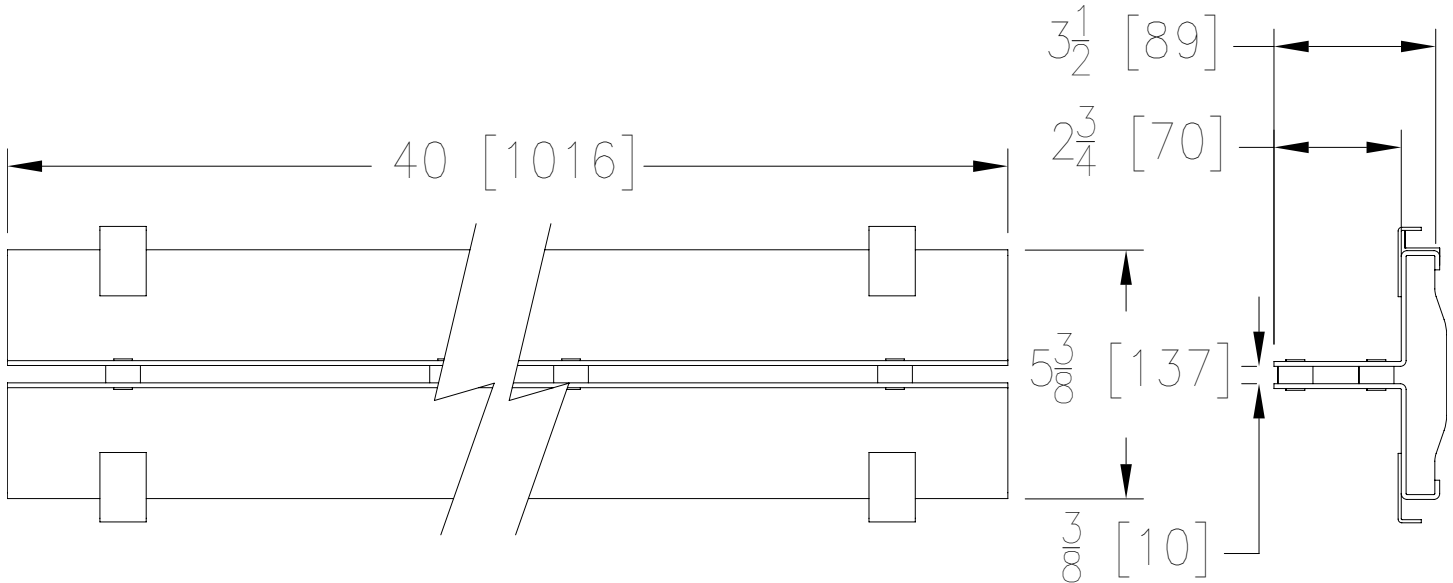
P886-PVSS

6 [152] WIDE DOMESTIC DECORATIVE GRATE

Design and Dimensional Data (inches and [mm]) are Subject to Manufacturing Tolerances and Change Without Notice

Please Check ✓	Item No.	Part Number	Item I.D.
	66	94287	P886-PVSS

[Back to Index](#)



PVSS GRATE ENGINEERING SPECIFICATION: ZURN P886-PVSS

40" [1016mm] X 5-3/8" [137mm] Fabricated stainless steel paver slot grate weighing 4.7 lbs per linear foot [6.9kg/m]. The grate has an open area of 6.0 in² per linear foot [128cm²/m]. Grate conforms to DIN rating of B, ANSI rating of Medium-Duty, ADA compliant* and ASTM A-240 Type 304 (316 by request). (Only available with Z886 trench drain system)



PVSS - Paver Slot Grate	
Material:	Galvanized Steel
DIN Rating:	Class B
Weight:	4.6 lbs/ft. [6.9kg/m]
Open Area:	6.0 in ² /ft. [128cm ² /m]
ANSI Rating:	Medium-Duty
Application:	Sidewalks, Light Traffic
Slot Width/Hole Size:	1/2" [12.7mm]
ADA:	Yes*
H-20:	No
FAA:	No

* Elongated openings must be placed perpendicular to the dominant direction of travel.

⚠ **WARNING:** Cancer and Reproductive Harm - www.P65Warnings.ca.gov

⚠ **ADVERTENCIA:** Cáncer y daño reproductivo - www.P65Warnings.ca.gov

⚠ **AVERTISSEMENT:** Cancer et effets néfastes sur la reproduction - www.P65Warnings.ca.gov