

Victaulic® VicFlex™ Sprinkler Fittings

Series AH1 and AH1-CC Braided Flexible Hose



Series AH1



Series AH1-CC

1.0 PRODUCT DESCRIPTION

Available Sizes by Component

- **Series AH1 0.8"/DN20 Nominal ID Braided Hose:** 31, 36, 48, 60, 72"/790, 914, 1220, 1525, 1830 mm.
Note: length includes adapter nipple and 5.75"/140 mm straight reducer.
- **Series AH1-CC 0.8"/DN20 Nominal ID Braided Hose:** 31, 36, 48, 60, 72"/790, 914, 1219, 1525, 1830 mm.
Note: length includes captured coupling and 5.75"/140 mm straight reducer.
- **Sprinkler Reducers:**
 - **Sprinkler Connections:** ½ and ¾"/15 and 20mm
 - **Straight Lengths:** 5.75, 9, 13"/140, 230, 330 mm
 - **90° Elbows:**
 - Short (typically used with concealed sprinklers)
 - Long (typically used with recessed pendent sprinklers)
 - Low Profile Short (for use with Style AB5, AB11, AB12, ABBA and ABMM Bracket)
 - Low Profile Long (for use with Style AB5, AB11, AB12, ABBA and ABMM Bracket)
- **Inlet Connections:**
 - 1"/25 mm Grooved IGS
 - 1"/25 mm NPT or BSPT adapter nipples for attaching to pipe and fittings outlined in NFPA standards.
 - ¾"/20 mm NPT or BSPT adapter nipples available for VdS.
 - 1 ¼"/32mm BSPT adapter nipples available for LPCB.

ALWAYS REFER TO ANY NOTIFICATIONS AT THE END OF THIS DOCUMENT REGARDING PRODUCT INSTALLATION, MAINTENANCE OR SUPPORT.

System No.		Location	
Submitted By		Date	

Spec Section		Paragraph	
Approved		Date	

1.0 PRODUCT DESCRIPTION (Continued)

• Brackets:

- Style AB1 for suspended and hard-lid ceilings, allows installation before most ceiling tiles in place
- Style AB2 for suspended and hard-lid ceilings, allows for vertical sprinkler adjustment, and installation before most ceiling tiles in place
- Style AB3 for surface mount applications, wood, metal and block walls or ceilings
- Style AB4 for hard-lid ceilings with hat furring channel grid systems, allows for vertical sprinkler adjustment
- Style AB5 for hard-lid ceilings, allows for vertical sprinkler adjustment
- Style AB7 for suspended and hard-lid ceilings
- Style AB7 Adjustable for suspended and hard-lid ceilings
- Style AB8 for hard-lid ceilings with CD 60/27 profile metal studs (regionally available)
- Style AB10 for Armstrong® TechZone™ ceilings
- Style AB11 for lay-in panel suspended t-grid ceilings or drywall suspended t-grid ceilings, allows for low profile installations (use only with 90° low profile elbows)
- Style AB12 for suspended and hard-lid ceilings, allows for vertical sprinkler adjustment, and allows for low profile installation down to 4"/100mm
- Style ABBA bracket for suspended, exposed, and hard-lid ceilings
- Style ABMM bracket for surface mount and stand off-mount applications, wood, metal and block walls, or ceilings and hard-lid ceilings

Maximum Working Temperature

- 225°F/107°C

Maximum Working Pressure

- 200 psi/1375 kPa (FM Approval)
- 175 psi/1206 kPa (cULus Listed)
- 1600 kPa/232 psi (VdS/LPCB Approved)
- 1.4 MPa (CCC Approval)

Connections

- To adapter nipple (inlet) via
 - 1"/25.4 mm Grooved IGS
 - 1"/25.4 mm NPT or BSPT male thread
 - ¾"/20 mm BSPT male thread (VdS only)
 - 1 ¼"/32 mm BSPT male thread (LPCB only)
- To sprinkler head (outlet) via ½" or ¾"/15 mm or 20 mm

Minimum Bend Radius

- 7"/178 mm (FM/CCC Approval)
- 3"/76.2 mm (cULus Listed)
- 3"/76.2 mm (VdS/LPCB Approved)

Maximum Allowable Sprinkler K-Factors

- FM (½"/15mm reducer) K5.6/8,1 (S.I.), (¾"/20mm reducer) K14.0/20,2 (S.I.)
- cULus (½"/15mm reducer) K8.0/11,5 (S.I.), (¾"/20mm reducer) K14.0/20,2 (S.I.)
- VdS/LPCB (½"/15mm reducer) K5.6/8,1 (S.I.), (¾"/20mm reducer) K8.0/11,5 (S.I.)

2.0 CERTIFICATION/LISTINGS



3.0 SPECIFICATIONS – MATERIAL

Series AH1

- **Flexible Hose:** 300-series Stainless Steel
- **Collar/Weld Fitting:** 300-series Stainless Steel
- **Gasket Seal:** Victaulic EPDM
- **Isolation Ring:** Nylon
- **Nut and Nipple:** Carbon Steel, Zinc Plated
- **Reducer (½ or ¾"): Carbon Steel, Zinc-Plated**

Brackets: Carbon Steel, Zinc-Plated

Series AH1-CC

- **Flexible Hose:** 300-series Stainless Steel
- **Collar/Weld Fitting:** 300-series Stainless Steel
- **Gasket Seal:** Victaulic EPDM
- **Isolation Ring:** Nylon
- **Coupling Retainer Ring:** Polyethelene
- **Nut and Nipple:** Carbon Steel, Zinc Plated
- **Reducer (½"/15 mm or ¾"/20 mm): Carbon Steel, Zinc-Plated**
- **Housing:** Ductile iron conforming to ASTM A 536, Grade 65-45-12. Ductile iron conforming to ASTM A 395, Grade 65-45-15, is available upon special request.

Coupling Housing Coating:

- Orange enamel (North America, Asia Pacific).
- Red enamel (Europe).
- Hot dipped galvanized.

Gasket:¹

- **Grade "E" EPDM (Type A)**

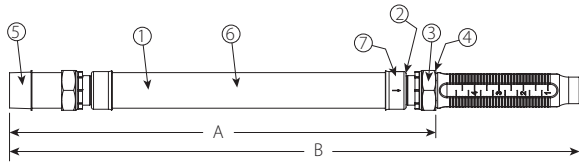
FireLock EZ products have been Listed by Underwriters Laboratories Inc., Underwriters Laboratories of Canada Limited, and Approved by Factory Mutual Research for wet and dry (oil free air) sprinkler services within the rated working pressure.

¹ Services listed are General Service Guidelines only. It should be noted that there are services for which these gaskets are not compatible. Reference should always be made to the latest [Victaulic Gasket Selection Guide](#) for specific gasket service guidelines and for a listing of services which are not compatible.

- **Bolts/Nut:** Zinc electroplated carbon steel, trackhead meeting the physical and chemical requirements of ASTM A 449 and physical requirements of ASTM A 183.
- **Linkage:** CrMo Alloy Steel zinc electroplated per ASTM B633 Zn/Fe 5, Type III Finish.

4.0 DIMENSIONS

Product Details - Series AH1 Braided Hose

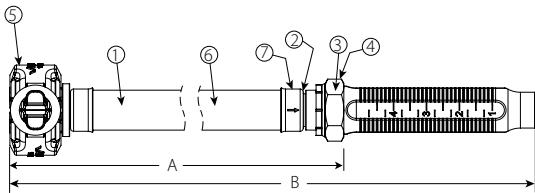


Item	Description
1	Flexible Hose
2	Isolation Ring
3	Gasket
4	Nut
5	Branch Line Nipple
6	Braid
7	Collar/Weld Fitting

Hose Length Dimensions

Hose Length inches mm	A inches mm	B inches mm
31/790	25.25/641	31/790
36/915	31.25/794	36/915
48/1220	42.25/1073	48/1220
60/1525	54.25/1378	60/1525
72/1830	66.25/1683	72/1830

Series AH1-CC



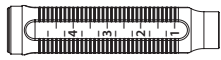
Item	Description
1	Flexible Hose
2	Isolation Ring
3	Gasket
4	Nut
5	Style 108 Coupling
6	Braid
7	Collar/Weld Fitting

Hose Length Dimensions

Hose Length inches mm	A inches mm	B inches mm
31/790	24.5/622	29.8/757
36/915	29.5/749	34.8/884
48/1220	41.5/1054	46.8/1189
60/1525	53.5/1359	58.8/1494
72/1830	65.5/1664	70.8/1798

4.1 DIMENSIONS

Standard Reducer

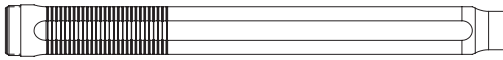


5.75"/140 mm straight reducer

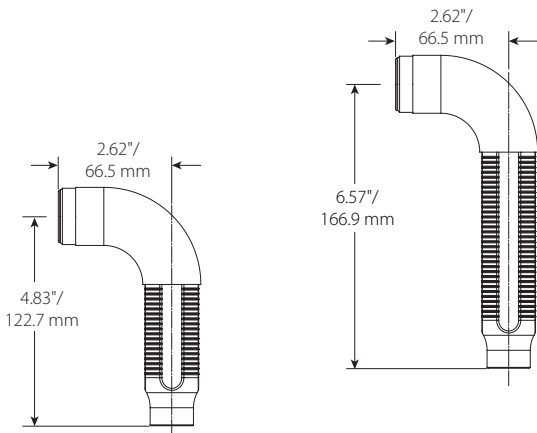
Optional Reducers



9.0"/229 mm straight reducer



13.0"/330 mm straight reducer



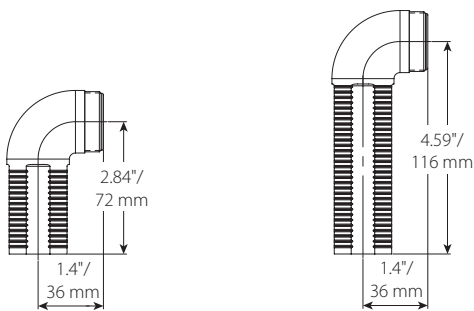
Short 90° elbow reducer

Long 90° elbow reducer

NOTE

- The Short 90° elbow reducer is typically used with concealed sprinklers while the longer 90 elbow is typically used in the installation of recessed pendent sprinklers.
- FM/VdS Approved Only.

Low Profile



Short 90° elbow reducer

Long 90° elbow reducer

NOTE

- Style AB11: When low profiles elbows are used with the Style AB11 bracket, the Low Profile Short Elbow is typically used with concealed sprinklers while the Low Profile Long Elbow is typically used in the installation of recessed pendent sprinklers.

4.2 DIMENSIONS

VicFlex Brackets

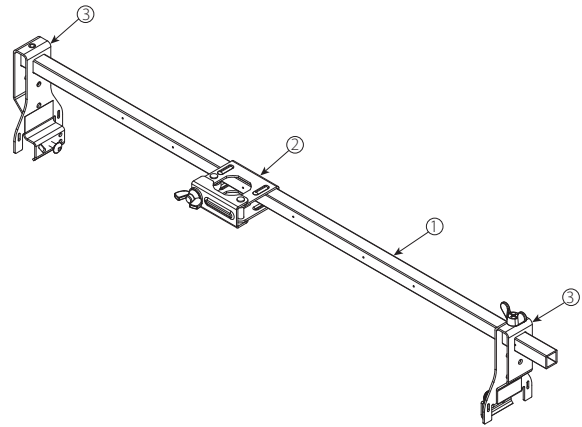
Style AB1

- Suspended Ceilings
- Hard-Lid Ceilings (FM Only)

Item	Description
1	24"/610 mm or 48"/1220 mm Square Bar
2	Patented Center Bracket
3	End Bracket

NOTE

- Both sizes FM/VdS/LPCB approved, cULus listed



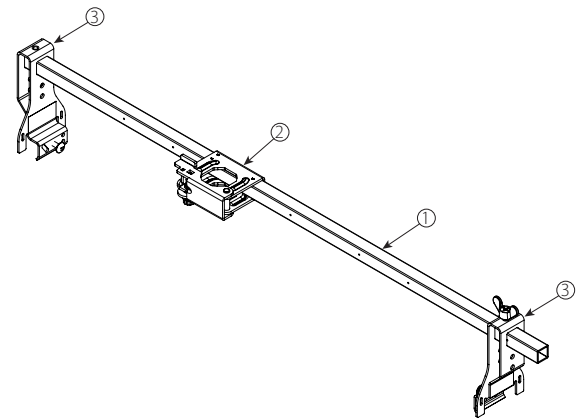
Style AB2

- Suspended Ceilings
- Hard-Lid Ceilings

Item	Description
1	24"/610 mm or 48"/1220 mm Square Bar
2	Patented Vertically Adjustable Center Bracket
3	End Bracket

NOTE

- Both sizes FM/VdS/LPCB approved, cULus listed



Style AB3

- Surface Mount Applications
- FM/LPCB Approved

