

## Important Safety Instructions

This is a professional grade product. A working knowledge of construction techniques, code-compliant plumbing/electrical installation are required for proper installation and user satisfaction. We recommend that a licensed contractor perform the installation of all Jacuzzi® products. Our warranty does not cover improper installation related problems.

**READ AND FOLLOW ALL INSTRUCTIONS. SAVE THESE INSTRUCTIONS.** Use this unit only for its intended use as described in this manual. Do not use attachments not recommended by the manufacturer. Never drop or insert any object into any opening.

**⚠ DANGER: RISK OF ACCIDENTAL INJURY OR DROWNING!** Do not permit children to use this unit unless they are closely supervised at all times. Do not use hydromassage bathtubs unless all suction guards are installed to prevent body and hair entrapment.

**⚠ DANGER: RISK OF SEVERE INJURY FROM ELECTRIC SHOCK OR DEATH FROM ELECTROCUTION!** This unit must be connected only to a supply circuit that is protected by a 15 amp ground fault circuit interrupter (GFCI). Such a GFCI should be provided by the installer and should be tested on a routine basis. Follow the manufacturer's instructions when testing the GFCI. The GFCI should interrupt power. Push the reset button. Power should be restored. If the GFCI fails to operate in this manner, the GFCI is defective. If the GFCI interrupts power to the bathtub without the test button being pushed, a ground current is flowing, indicating a possibility of an electric shock. Do not use this hydromassage bathtub. Disconnect the hydromassage bathtub and have the problem corrected by a qualified service representative before using.

**⚠ DANGER: RISK OF ELECTRIC SHOCK!** Do not permit electrical appliances (such as a hair dryer, lamp, telephone, radio or television) within 60" (1524 mm) of this hydromassage bathtub. Connect only to a circuit protected by a ground fault circuit interrupter (GFCI). For permanently connected units, A green colored terminal or a wire connector marked ("G", "GR", "GROUND", or "GROUNDING") is provided within the terminal compartment. To reduce the risk of electric shock, connect the terminal or connector to the grounding terminal of your electric service or supply panel with a conductor equivalent in size to the circuit conductors supplying the equipment.

**⚠ WARNING: PROLONGED IMMERSION IN HOT WATER MAY INDUCE HYPERTHERMIA!** Hyperthermia occurs when the internal temperature of the body reaches a level several degrees above the normal body temperature of 98.6°F (37°C). The symptoms of hyperthermia include an increase in the internal temperature of the body, dizziness, lethargy, drowsiness and fainting. Water temperature in excess of 104°F (40°C) may be injurious to your health. Check and adjust water temperature before use. The effects of hyperthermia include:

- A. Failure to perceive heat.
- B. Failure to recognize the need to exit the bath.
- C. Unawareness of impending hazard.
- D. Fetal damage in pregnant women.
- E. Physical inability to exit the bath.
- F. Unconsciousness resulting in danger of drowning.

**⚠ DANGER!** This equipment is intended for indoor use only. Install the equipment in accordance with these instructions. Use supply wires that are suitable for 167°F (75°C), including the temperature rating of the supply conductors to be used. This unit should be electrically grounded and installed by a licensed contractor, electrician, and plumber. Building materials and wiring should be routed away from the motor/pump or blower or other heat producing components of this unit. A pressure wire connector is provided on the exterior of the motor/pump and heater to permit connection of an No. 8 AWG solid copper bonding conductor between this unit and all other electric equipment and exposed metal in the vicinity, as needed to comply with local requirements.

**⚠ DANGER! RISK OF SEVERE INJURY OR DEATH!** Risk of fetal injury. Pregnant or possibly pregnant women should consult a physician before using a hydromassage bathtub equipped with a heater.

**⚠ DANGER! RISK OF SEVERE INJURY OR DROWNING!** Keep body and hair a minimum of 6" (152 mm) away from the suction fitting at all times when the hydromassage system is in operation. Hair longer than shoulder length should be secured close to the head.

**⚠ CAUTION!** Do not immerse the control panel by overfilling the bath.

## Important Safety Instructions (Continued)

**⚠ WARNING! RISK OF SEVERE INJURY!** To avoid injury, use care when entering and exiting the hydromassage bathtub

**⚠ CAUTION!** Do not use drugs or alcohol before or during the use of a hydromassage bathtub equipped with a heater. People using medications or having an adverse medical history should consult a physician before using a hydromassage bathtub equipped with a heater. Possible drowning may occur.

**⚠ WARNING! RISK OF SEVERE INJURY OR DEATH!** Do not use a hydromassage bathtub equipped with a heater immediately following strenuous exercise.

**⚠ CAUTION! TO DECREASE RISK OF PRODUCT DAMAGE.** Use this unit only for its intended use as described in this manual. Do not use attachments not recommended by the manufacturers. Do not tamper with user-operated controls or such devices.

### SAVE THESE INSTRUCTIONS.

Jacuzzi Luxury Bath (the "Company") has obtained applicable code (standards) listings generally available on a national basis for products of this type. It is the responsibility of the installer/owner to determine specific local code compliance prior to installation of the product. The Company makes no representation or warranty regarding, and will not be responsible for any code compliance. Product specifications are subject to change without notice.

## Inspection and Testing

### Visual Inspection

1. Remove the bathtub from the shipping carton. Be careful not to scratch the surface of the bathtub on exposed staples. Remove the staples or fold them into the carton. Retain the carton until satisfactory inspection of the product has been made. Do not lift the bathtub by the plumbing at any time; handle by the shell only.
2. Inspect the shell and bathtub components. Should inspection reveal any damage or defect in the finish or visible damage to any components, do not install the bathtub. Damage or defect to the finish claimed after the bathtub is installed is excluded from the warranty. The responsibility of Jacuzzi Luxury Bath for shipping damage ceases upon delivery of the products in good order to the carrier.
3. Refer any claims for damage to the carrier. For definitions of warranty coverage and limitations, refer to the published warranty information packed with the product or in the back of this manual.

### Bathtub Water and Operational Test

All bathtub units are factory tested for proper operation and watertight connections prior to shipping. However, the unit must be retested by the installer prior to installation. Jacuzzi Luxury Bath is not responsible for any defect that could have been discovered, repaired, or avoided by following this inspection and testing procedure:

1. Place the bathtub on a level surface, near appropriate electrical supply, water supply, and water drainage. A driveway is a suitable choice.
2. Cover the drain and overflow hole with tape or a stopper and fill the bathtub to the bottom of the overflow hole.
3. Allow bathtub to stand for 5 minutes.
4. Plug in motor/pump and turn unit on. Confirm that all features function as described in the Operating Manual. Do not install the bathtub if bathtub fails to operate as described.
5. Visually inspect all joints for leaks. Do not install the bathtub if leaks are detected.
6. Return bathtub to box or otherwise protect from damage until time of installation.

## Framing and Support

**READ ALL INSTALLATION INSTRUCTIONS COMPLETELY. IMPROPER INSTALLATION WILL VOID THE WARRANTY.**

The floor structure beneath the bathtub must be able to support the total weight of the bathtub, water and bather. Consult a structural engineer.

### **IMPORTANT!**

Make sure that walls and floors meet fire safety requirements of local building code and/or FHA/HUD Minimum Property Standards.

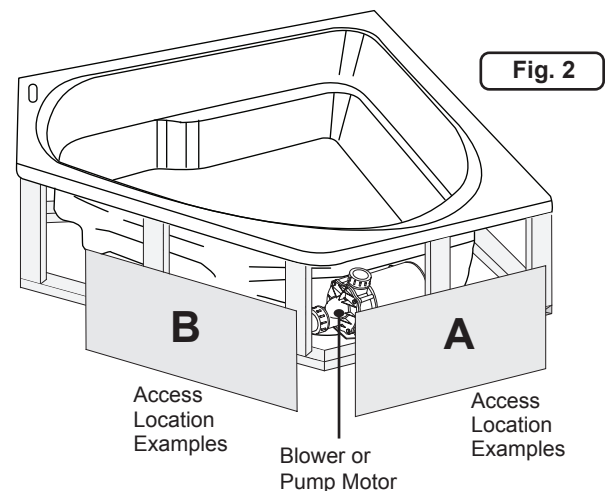
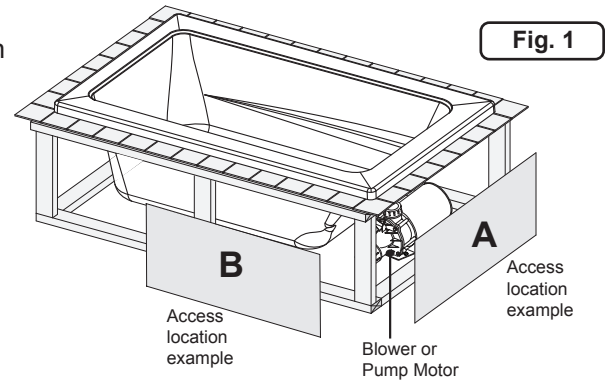
Observe all governing codes and ordinances.

1. Proper installation is your responsibility. Have a qualified technician install this bath.
2. Installation using a ground-fault circuit-interrupter (GFCI) is required.
3. It is the customer's responsibility:
  - To contact a qualified electrical installer.
  - To ensure that electrical installation is adequate and in conformance with National Electrical Code (NEC).

The Technical Specifications can be found at [www.jacuzzi.com/baths/support/](http://www.jacuzzi.com/baths/support/).

Frame out the space where the bathtub is to be located. The following should be taken into consideration when preparing the area:

- Dimensions provided on rough-in diagrams are nominal. Measure your actual unit upon receipt and build according to the actual dimensions.
- Finished alcove must have correct interior dimensions, as shown in the key dimension section in the Technical Specifications Sheet, to properly install unit.
- For three wall alcove installations, use an integral molded three-sided tiling flange bathtub. When using the optional tile flange, refer to instructions that are included with kit.
- In remodeling, if necessary, add studs at each end to provide a vertical nailing surface for the side nailing flanges of bath fixture product.
- To avoid obstructions during installation make sure that supply lines, spout pipe and valve plumbing do not project into alcove.
- Bathtubs require a 6" x 12" (150 mm x 305 mm) floor opening for the 1 ½" (38 mm) drain, waste and overflow (DWO) kit.
- Be sure floor opening location matches bathtub fixture drain location.
- Use of casting plaster/plaster of paris (foundation material) is recommended in all commercial structures (i.e. hotels, motels, dormitories, health clubs, etc.).
- The unit must be supported from the bottom of the bathtub and not from the bathtub rim.
- Per UPC code, access must be provided to the pump/motor for your specific model (Figure 1 and Figure 2).
- Provide adequate ventilation for cooling and supply sufficient air for the pump/motor. Do not insulate around the equipment.
- It is the responsibility of the installer, building contractor or owner to provide access for service. Jacuzzi is not responsible for any costs relating to obtaining access for repair. The owner shall bear such costs and, if appropriate, must seek recovery from the installer.



**A** = Primary access (required)  
**B** = Secondary access for equipment (optional)

Illustrations above shown with framing exposed for clarity.

**IMPORTANT:** Left hand unit access is on the opposite side (mirror)

## Framing and Support (Continued)

### Subfloor

Prepare the subfloor for the drain and ensure that the area is level.

1. The drain/overflow of the bathtub extends below the bottom of the bathtub. The Technical Specifications can be found at [www.jacuzzi.com/baths/support/](http://www.jacuzzi.com/baths/support/).
2. Make appropriate cuts to the subfloor to accommodate the drain.
3. The Jacuzzi Tru-Level® base is a standard feature on all bathtubs. If the subfloor is level and a continuous surface, no other preparation is necessary. Proceed to the “Electrical Connections” section.
4. If the subfloor is not level, you must level the entire surface prior to installing the bathtub. The materials used will insure that the bathtub is supported from the bottom. These materials include: leveling compound, mortar, plaster or minimal expansion structural foam (having a density of a minimum 5 lbs/cubic foot). The bathtub must remain level in order for it to drain properly and must make contact with the leveling material. Both sides of a joint or splice of subfloor should be level to each other.

## Electrical Connections

**⚠ DANGER: RISK OF ELECTRIC SHOCK!** Connect only to a circuit protected by a GFCI (Figure 3).

**⚠ CAUTION!** Electrical outlet must be mounted 4" (101 mm) above the floor line and 12" max (305 mm) inside from the edge of the bathtub (Figure 3), or in accordance with local building and electrical codes.

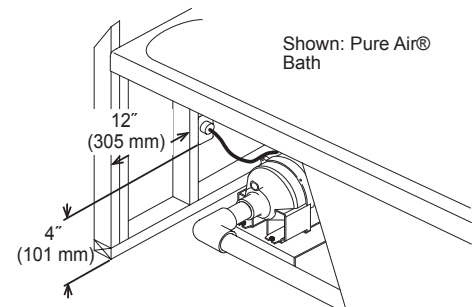
**⚠ CAUTION!** Risk of component overheating. Do not use electric extension cord to power this unit. Operating the pump without enough water in the bathtub can cause permanent damage to the pump/motor.

If the GFCI unit indicates a malfunction, per manufacturer's instructions, turn OFF power and do not attempt to use the bathtub until the source of the problem has been identified and corrected.

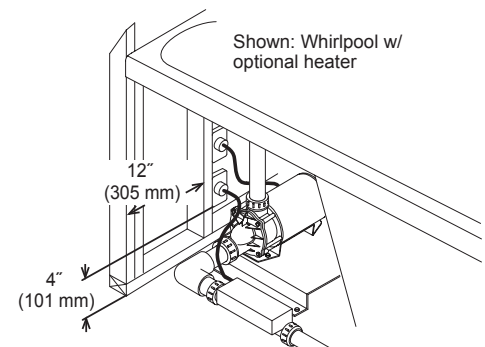
**NOTES:** When using electrical products, basic precautions should always be followed. Always follow local building and electrical codes. Grounding is required. The unit should be installed and grounded by a qualified electrician.

**CANADIAN MODELS ONLY:** The components must be hard wired in the J-Boxes (supplied) that are located on the unit.

**The Technical Specifications can be found at [www.jacuzzi.com/baths/support/](http://www.jacuzzi.com/baths/support/).**



**Fig. 3**



**Fuzion® Specific Material**

The additional design features of the Fuzion® require that the following steps be completed prior to installing the bathtub in the constructed surround. The following steps must also be completed in the order specified:

1. Fuzion® Faucet Installation
2. Fuzion® Overflow/Drain Installation
3. Fuzion® Wood Frame Installation
4. Fuzion® Control Panel Installation

**Fuzion® Faucet Installation**

Selecting a faucet for rim mounting: The combined thickness at the rim of the bathtub shell and optional wood deck is 2" (50mm) nominal. The length of the faucet tailpiece(s) must be long enough to extend past this dimension and have ample clearance to assemble any hardware (i.e. locknut, water supply fittings, etc.) necessary for installation. For undermount units, the combined thickness of the bathtub shell is ½" (12mm) nominal and the undermount deck should not exceed the length of the faucet tailpiece(s), including any assembly hardware.

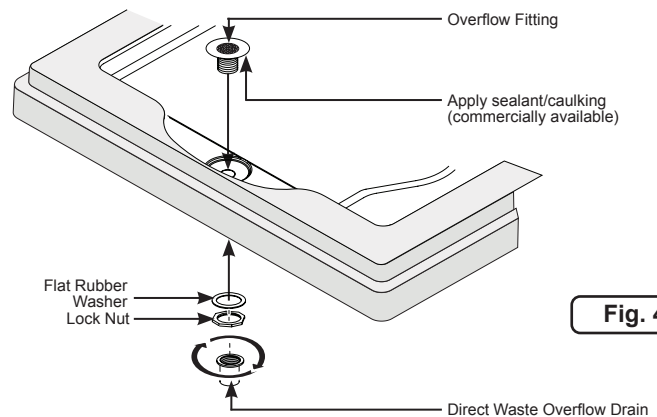
**Fuzion® Overflow Drain Installation**

Assemble in accordance with the local plumbing or building codes.

1. Identify drain overflow kit provided with your bathtub. Remove and open the overflow package and confirm that all parts are present.
2. Remove washers and nuts from the overflow fitting.
3. Place a small bead of plumbers putty, silicone, or similar approved sealant around the underside of the top flange of the overflow fitting.
4. Place the overflow fitting into the overflow hole of the bathtub (Figure 4).
5. From the underside of the unit, place the rubber washer then locknut on the overflow fitting and tighten securely. Be careful not to overtighten.
6. Assemble the remaining drain pieces as shown in the illustration.
7. After the drain is fully installed, test for proper drainage. If the unit does not drain properly, rectify this condition before proceeding with further bathtub installation.

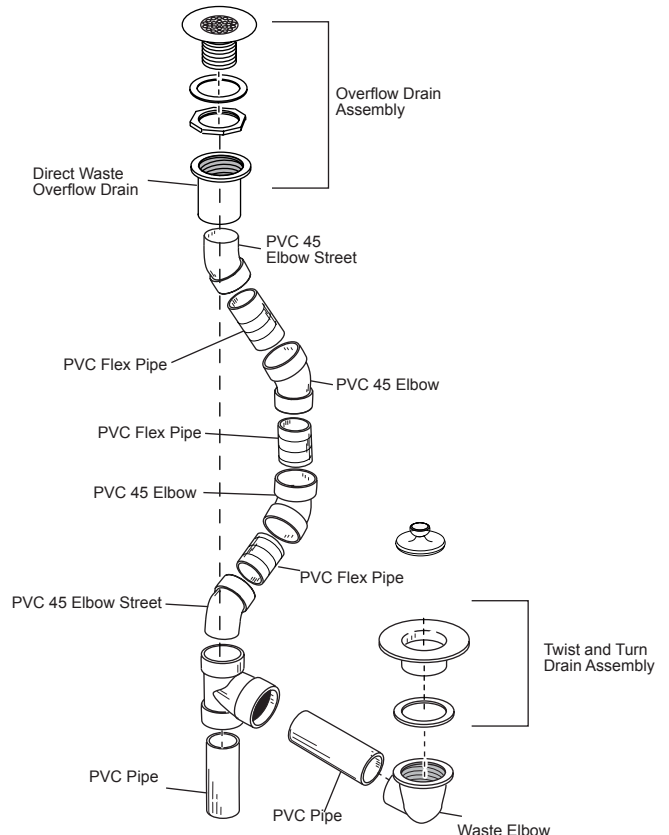
Watertight installation of the drain and overflow is the installer's responsibility. Drain leakage is excluded from the Jacuzzi Luxury Bath warranty of this product.

**OPTIONAL** - If the Fuzion® Wood Frame is not being used, please proceed to Step 2 in the Undermount Installation section on page 11.



**Fig. 4**

**Figure 4 - Overflow Installation**

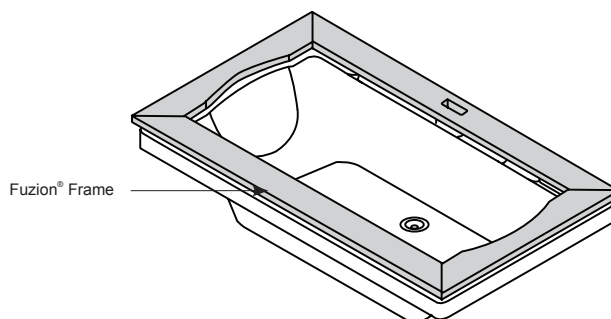


## Fuzion® Specific Material (Continued)

### Fuzion® Frame Installation



If you are installing a Fuzion® bathtub with accessory frame, please refer to the Fuzion® Frame Installation Guide (#GL44000) before proceeding any further. Complete the installation and assembly steps according to the Fuzion® Frame Installation Guide.



### Fuzion® Control Panel Installation



The following cutouts must be clear and free of any dirt or adhesive:

- Control panel cutout in the assembled wood frame
- Control panel cutout in the assembled counter
- Control panel cutout in the bathtub

1. Insert the wire connector into the back of the control panel (Figure 5).
2. Sparingly apply adhesive around the base of the control panel (Figure 6).
3. Thread the wire through the cutout and to the control box.
4. Orient control panel in the following manner: the logo will be on the right side of the J4 control panel when you are sitting in the bathtub (the power button will be on the right side of the J5 LCD control panel).
5. Lower the control panel into the cutout and press firmly to embed the adhesive (Figure 7).
6. Connect the wire to the control box.
7. Please proceed to Step 3 in the Drop-In Installation section on page 10.

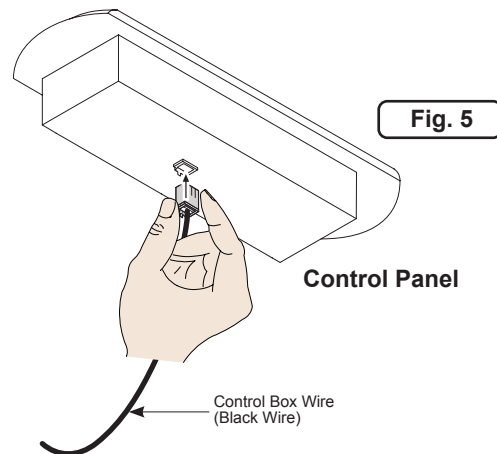


Fig. 5

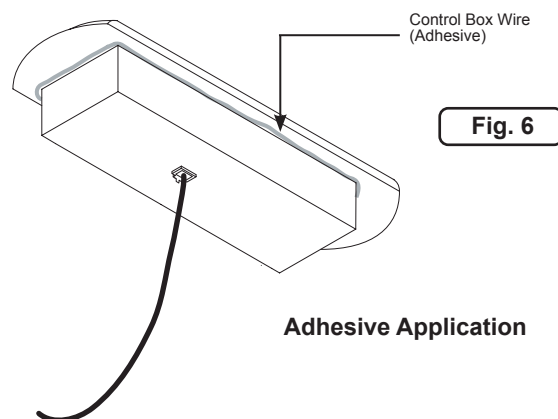


Fig. 6

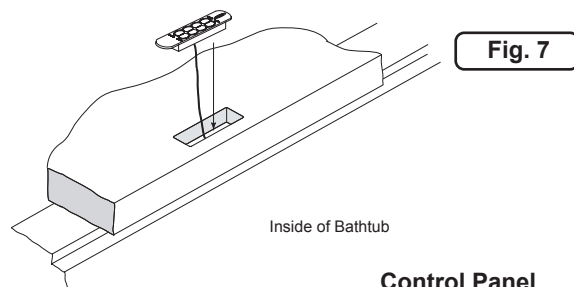
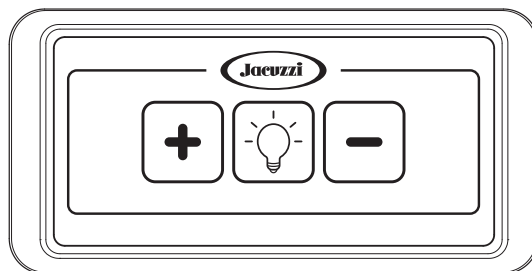


Fig. 7

## Chromatherapy Operation



### CHROMATHERAPY

- Press once to turn lights ON at white level 2.
- Press again to cycle colors.
- Press again to stop at the current color.
- Press again to restart the cycle.



### INCREASE TOGGLE

- Press to increase light intensity.
  - Press to turn ON lights at last color used from OFF.
- NOTE:** Default lighting color is white level 2.



### DECREASE TOGGLE

- Press to decrease light intensity all the way down to off.
- NOTE:** Default lighting color is white level 2.

If Chromatherapy fails to work:

- Reset the GFCI.
- Ensure the plug is fully in the outlet.
- Ensure the connectors to the control panel and control box are fully engaged in receptacles.
- Contact your electrician to ensure the proper wiring and power is being supplied to the GFCI.
- Contact Jacuzzi Luxury Bath if the above does not resolve the issue.

## Installation Procedures (All Models)



**DANGER: Risk of electric shock! Turn off the power supply to the GFCI protected circuit.**



Before you begin your installation, please read the following:

- Observe all local and building codes.
- Determine which tools will be used during the installation.
- Additional bathtub drain parts and plumbing are commercially available at plumbing and hardware stores.

1. Install drain/overflow according to the manufacturer's instructions. Refer also to the Technical Specifications Manual.



Watertight installation of the drain is the installer's responsibility. Drain leakage is excluded from the Jacuzzi Luxury Bath warranty of this product.

2. Install the faucet at this time (if applicable). It is recommended that the faucet be installed by a qualified plumber. See special notes on freestanding section for faucetry.



Proper installation of the spout plumbing and compliance with local codes are the responsibility of the installer. Jacuzzi Luxury Bath does not warrant connections of water supply fittings and piping, fill systems, or drain/overflow systems. Nor is it responsible for damage to the bathtub which may occur during installation.



A non-flammable protective barrier must be placed between the soldering work and the bathtub unit to prevent damage to the bathtub.

## Installation Procedures (Continued)

3. Sufficient clearance must be provided for access to service connections (pump/motor, controls, heater plumbing and electrical hook ups).
4. Bottom support materials: Casting plaster/plaster of paris (herein referred as foundation materials) are not necessary but its use is highly recommended for a firmer bottom support. In a bucket, mix foundation material. Place a large mound of plaster on the subfloor, in the approximate location of the tub bottom center. The mounds should be placed high enough so that when the tub is set, it will cause the plaster to displace and spread.

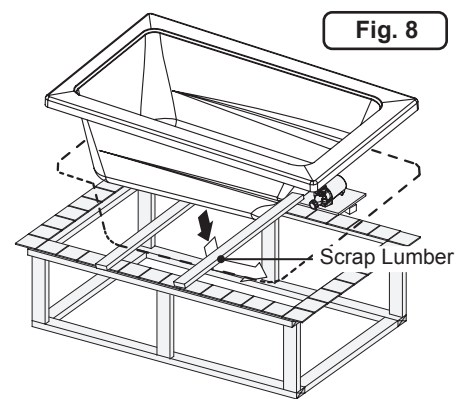
### Drop-in Installation

1. Prepare the cut-out hole for the bathtub using either the provided full scale template or the cut-out dimensions listed in the Technical Specifications Manual found on [www.jacuzzi.com/baths/support](http://www.jacuzzi.com/baths/support).

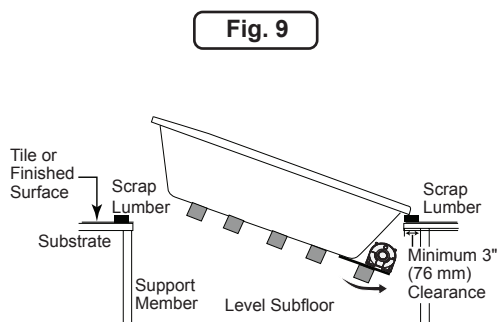


The template may show guides for more than one bathtub. Be certain to select the appropriate guidelines. If undermounting is an option, be careful to select the guidelines that apply to the installation that you are performing.

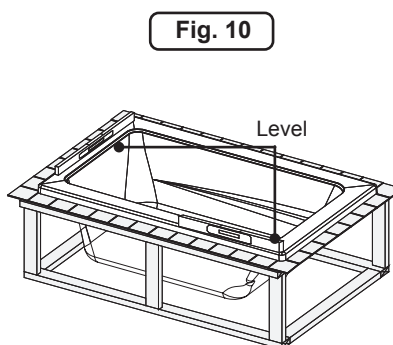
2. Complete all deck finish work and cover to protect from damage while placing the bathtub.
3. Place a piece of scrap lumber on each of the ends of the cutout – this will be used as a temporary support prior to lowering the bathtub fully into the opening (Figure 8).
4. Install the unit. For units equipped with a motor/pump and/or a blower, insert the motor/pump end first, lowering the bathtub into the opening (Figure 9).
5. The bathtub must be set level. To check, use a level on top of the ledges on both ends of tub and on top of threshold (Figure 10).
6. Turn on the power supply to the dedicated GFCI protected circuit and check system for operation.
7. Caulk around the perimeter of bathtub to seal the space between the rim and the finished deck (Figure 11).



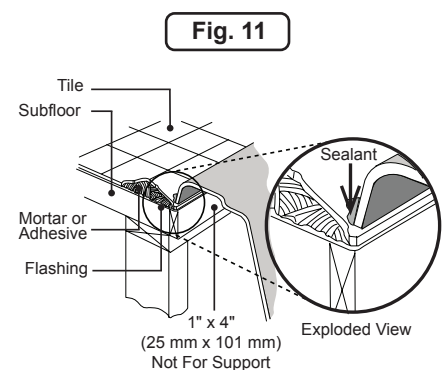
**Fig. 8**



**Fig. 9**



**Fig. 10**



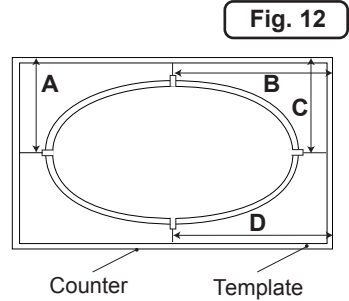
**Fig. 11**



**Installation Procedures (Continued)**

**Undermount Installation**

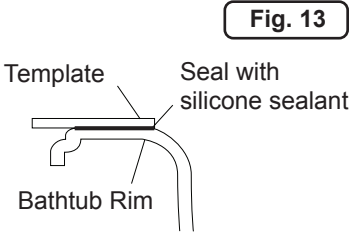
1. Inspect all fittings, plumbing, and control lines after inserting to ensure the components are not damaged or disconnected.
2. Align the bathtub and connect the drain.
3. Cut deck to fit using the undermount template provided as follows:
  - Position the template so that the desired undermount guidelines are aligned with the rim edge as shown.
  - Using a grease pencil, mark the center lines (denoted by  $\Phi$  on template). Remove template.
  - Measure the distance from the wall, or other fixed point, to the center lines (Figure 12).
4. Affix counter to bathtub. Clean any dirt or debris from the top of the bathtub rim.
5. Turn on the power supply to the dedicated GFCI-protected circuits and check system operation.



**Fig. 12**

6. Apply a continuous bed of silicone sealant around the entire seam between the counter and the bathtub rim. Allow sealant to cure according to manufacturer's instructions (Figure 13).

**CAUTION!** Do not use an adhesive or adhesive sealant to secure the bathtub to the deck. If maintenance or remodeling is required, the deck may have to be removed. Adhesive will permanently bond the bathtub to the deck.

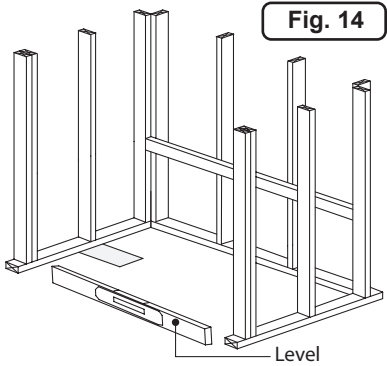


**Fig. 13**

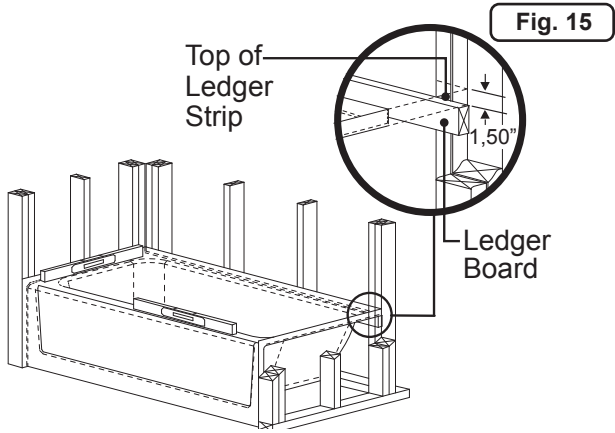
6. Apply a continuous bed of silicone sealant around the entire seam between the counter and the bathtub rim. Allow sealant to cure according to manufacturer's instructions (Figure 13).

**3-Wall Alcove Installation**

1. Make sure framed-in alcove is of proper size per Jacuzzi dimensions, square, and plumb; check floor for levelness (Figure 14). Rough-in should be kept to a minimum until the unit is on the job site. Measurements may vary +0 or -1/4" from original specifications.
2. Place the tub in the alcove with the front skirt firmly on the floor. The bathtub must be set level. To check, use a level on top of the ledges on both ends of tub and on top of dam (Figure 15).
3. After leveling tub, mark each stud (concrete or block wall) immediately above the back horizontal flange. Remove tub from alcove. Measure the distance between the top of the back horizontal flange and the bottom of the tub ledge approximately 1 1/2" (40 mm). Carefully mark this dimension on the back studs (or wall), below the first mark (Figure 15 - inset).
4. Install a Ledger Strip: Jacuzzi mandates the use of supports under the rear ledges of bathtubs to prevent shifting. Use horizontal ledger strip along the entire rear ledge or "I", "T" supports in at least two places in vertical position. Nail a 1" x 3" (25 mm x 75 mm) ledger strip immediately below the lower marks made on framing (Figure 15 - inset).
5. When fastening wood framing, pre-drill flanges with a 1/8" (5 mm) carbide bit and fasten using #8 x 1-1/2" (38 mm) self-tapping sheet metal screws; to concrete/block walls use 1" (25 mm) concrete nails with nailing tool or impact.



**Fig. 14**



**Fig. 15**

**NOTE:** Pre-drilling the nailing flanges is recommended to avoid cracking of the acrylic unit. Silicone the top of each fastener to insure water tightness.

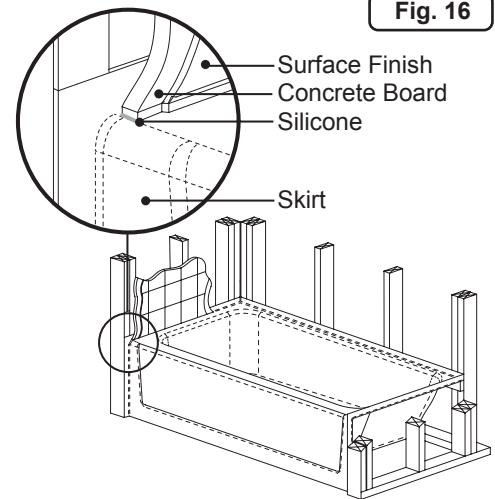
## Installation Procedures (Continued)

6. Spot-fasten the two bottom corners and the two top corners of the vertical side nailing flange.
7. Nail/fasten at each stud through the topside flanges at each stud 16" (405 mm) on center, working from both ends toward back center. Complete the fastening through vertical side flange, approximately 8" (205 mm) on center.
8. When other than cementitious backer board is to be used, furring strips as thick as nailing flanges are recommended for installation on studs above the installed unit to assure walls will be flush. 100% silicone sealant with mildew resistant properties should be applied between the backer board and horizontal surface of unit (Figure 16). Then finished wall materials can be applied.

**⚠ WARNING!** Finishing of other trades should be done in conformance with applicable codes and generally accepted building practices.

9. Turn on the power supply to the dedicated GFCI protected circuits and check system operation.
10. Caulk around the perimeter of bathtub to seal the space between the rim and the finished deck (Figure 16).

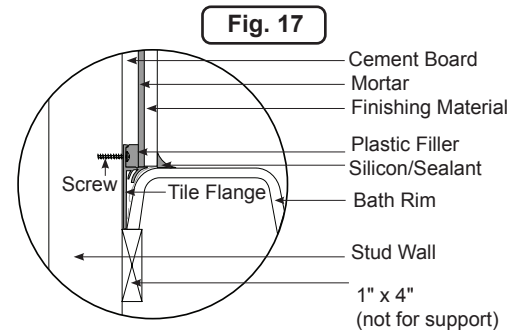
**⚠ CAUTION!** Apply a continuous bead of silicone sealant around the entire seam between the counter and the bathtub rim. Allow sealant to cure according to manufacturer's instructions.



**Fig. 16**

### For Optional Tile Flange

1. Install the flange (purchased separately) according to the instructions that are included with the kit. If the bathtub is equipped with an integrated flange, refer to 3-wall alcove installation on page 11.
2. Place the bathtub into the alcove. Screw the flange to the wood stud. It may be necessary to shim the unit to close up any gaps between the wood stud and the flange (Figure 17).



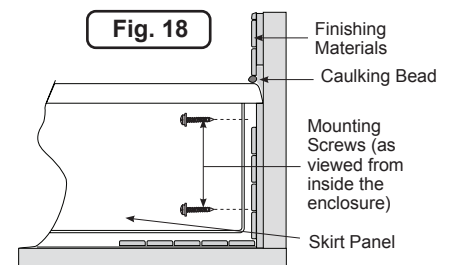
**Fig. 17**

### Bathtubs with Optional Skirt

1. Screw skirt flanges into wall studs, Figure 18.

**⚠** It may be necessary to shim the unit to close any gaps between wall studs and the flanges.

2. Complete finish work over skirt flange.
3. Caulk around the perimeter of the skirt to seal the space between the skirt and the finished deck.



**Fig. 18**

## Skirt Panel Installation (Select Skirt Models Only)

This skirt installation method is used for select bathtubs only. All other Comfort Collection bathtubs utilize magnets to secure skirt panels.

### To remove the skirt panel:

Grasp an edge of the skirt panel and pull to separate.

### To reinstall the skirt panel (Figure 19):

Align the six posts on the panel with the six receptor sockets on the tub and press into place.

### Skirt Panel Adjustment (Figure 20):

Insert a standard screwdriver into the receptor socket through the slot at the rear. Turn clockwise to tighten and counter-clockwise to loosen.

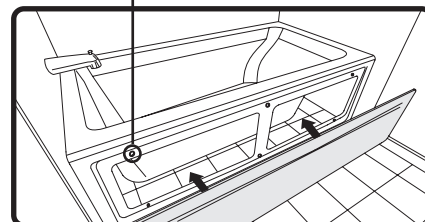
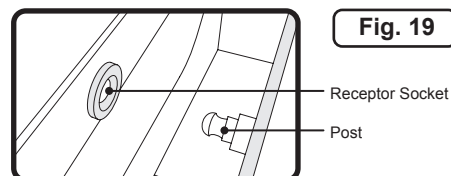
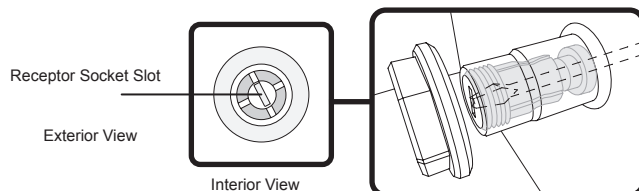


Fig. 20



## Cleanup After Installation

To avoid dulling and scratching the surface of the bathtub, never use abrasive cleaners. For most soiled surfaces, a mild liquid detergent and warm water is sufficient. The following is also recommended:

- Remove spilled plaster with a wood or plastic edge. Spots left by plaster or grout can be removed if lightly rubbed with liquid detergent on a damp cloth or sponge. Do not use metal scrapers, wire brushes or other metal tools, as they will damage the bathtub's surface.
- Paint, tar, or other difficult stains can be removed with Fantastik® or soapy water.
- Minor scratches which do not penetrate the color finish can be removed by lightly sanding with 600-grit wet/dry sandpaper. You can restore the glossy finish to the acrylic surface of the bathtub with a special compound, Meguiar's #10 Mirror Glaze. If that is not available, use automotive rubbing compound followed by an application of automotive paste wax.
- Major scratches and gouges which penetrate the acrylic surface will require refinishing. Call Jacuzzi Luxury Bath to find a service agent in your area.

## General Cleaning

**CAUTION!** Do not use oil or oil-based bathtub additives. Never use abrasive or caustic household cleaners on any Jacuzzi Luxury Bath product.

If you want to use any kind of bathtub additive, use only a small amount of low-foaming powder; the whirlpool action intensifies the foaming properties of soaps.

The use of certain bathtub oils, bubble baths, and bathtub additives may increase the level of accumulations of bathtub residue in the whirlpool system and may cause false reading of the water level sensors. If excess accumulations persist, you should discontinue use of these products.

To remove accumulations of bathtub residue from the whirlpool system, it is recommended that a bathtub be cleaned regularly. For best results, however, we recommend that you clean your whirlpool bathtub after each use using Systems Clean™, our exclusive two-part plumbing system cleaner made specifically for whirlpool bathtubs. Systems Clean™ is available through an authorized Jacuzzi Luxury Bath Distributor, by calling us direct at 1-800-288-4002, or may be purchased online at [www.jacuzzi.com](http://www.jacuzzi.com).

## General Maintenance

To clean your bathtub, simply use a mild, nonabrasive liquid detergent solution. You can protect and restore the gloss to a dulled acrylic surface by applying Meguiar's #10 Mirror Glaze, a product specifically designed for use on acrylic finishes. If Meguiar's is not available, use a fine grade automotive rubbing compound followed by an application of clear automotive paste wax.

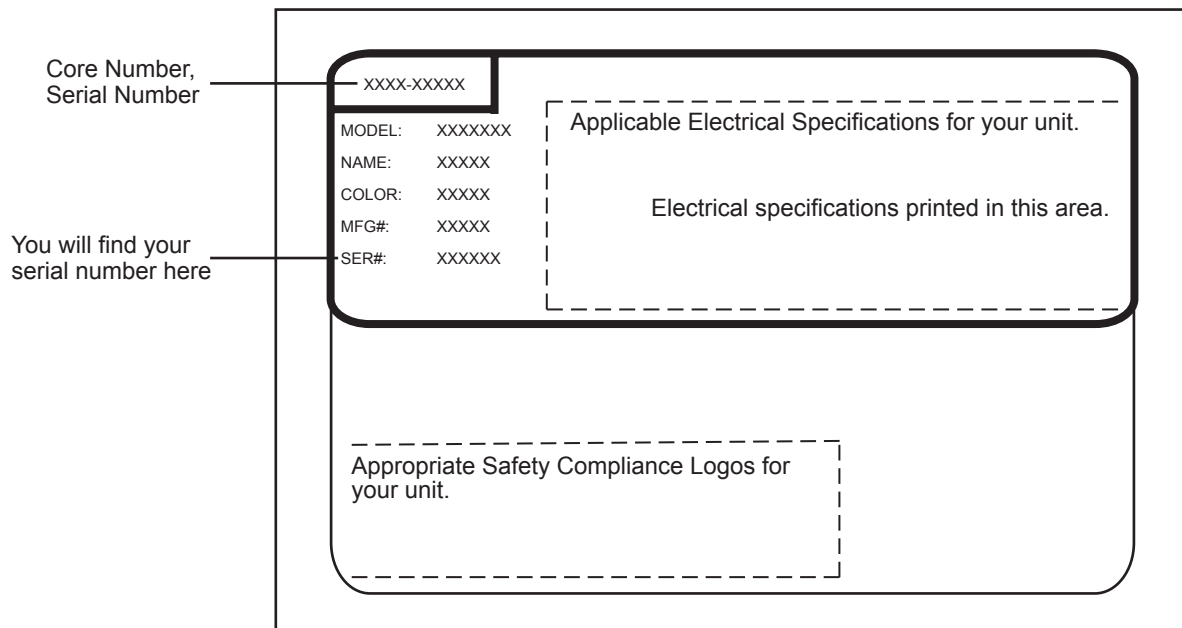
Minor scratches which do not penetrate the color finish can be removed by lightly sanding with 600-grit wet/dry sandpaper. Restore the gloss using Meguiar's Mirror Glaze or automotive paste wax. Major scratches and gouges which penetrate the acrylic surface will require refinishing. Call Jacuzzi Luxury Bath to find a service agent in your area.

## Authorized Service

If you need a referral for a service company near you, or need assistance with operation or maintenance-related questions, please call our Service Support Department at 1-800-288-4002. Visit our web site at <http://www.jacuzzi.com/> for products, services, and an online copy of these Installation and Operation Instructions.

When requesting service or technical assistance please have available both the model and serial number of your unit. This information can be obtained from the product registration card provided with your unit. If the card has been misplaced, this information can be obtained from the specification/serial number label on the unit itself. The label is located on the wall of the bathtub near the pump/motor.

### SPECIFICATION/SERIAL NUMBER LABEL



PRODUCT SPECIFICATIONS ARE SUBJECT TO CHANGE WITHOUT NOTICE.  
USE TECHNICAL SPECIFICATIONS MANUAL SUPPLIED WITH PRODUCT.

Jacuzzi Luxury Bath has obtained applicable code (standards) listings generally found online at [www.jacuzzi.com/baths/support](http://www.jacuzzi.com/baths/support). It is the responsibility of the installer/owner to determine specific local code compliance prior to installation of the product. Jacuzzi Luxury Bath makes no representation or warranty regarding, and will not be responsible for any code compliance.

Jacuzzi Luxury Bath  
14525 Monte Vista Avenue  
Chino, California, 91710  
1-800-288-4002  
[www.jacuzzi.com](http://www.jacuzzi.com)



Jacuzzi Luxury Bath  
14525 Monte Vista Avenue  
Chino, California 91710



WARRANTY REGISTRATION CARD

To complete your registration, visit our website at www.jacuzzi.com or fill out and mail this card to the address printed on the other side within thirty (30) days from date of purchase in order for this warranty to become effective.



Purchaser's Name \_\_\_\_\_

Purchaser's Address \_\_\_\_\_

City \_\_\_\_\_ State \_\_\_\_\_ Zip \_\_\_\_\_

Home Phone \_\_\_\_\_ Cell Phone: \_\_\_\_\_

Email: \_\_\_\_\_

Date of Purchase \_\_\_\_\_

Model Name \_\_\_\_\_

Serial Number \_\_\_\_\_

Dealer's Name \_\_\_\_\_

Dealer's Address \_\_\_\_\_

- 1. How did you first hear about this Jacuzzi® product?
( ) Advertisement ( ) Article in Magazine/Newspaper
( ) Visited Dealer/Plumbing Supplier ( ) Yellow Pages
( ) Builder/Plumber/Remodeler ( ) Decorator/Architect
( ) Visited Retailer/Home Center Store
( ) Word of Mouth . . . Friend/Relative/Acquaintance
( ) Other (Please Describe) \_\_\_\_\_

- 2. Who first gave you specific information about this product (specifications, prices, etc.)?
( ) Dealer/Plumbing Supplier ( ) Builder ( ) Remodeler
( ) Plumbing Contractor ( ) Retailer/Home Center Store
( ) Decorator/Architect ( ) Already Installed

- 3. What was the main reason for purchase?
( ) Styling ( ) Warranty Service ( ) Product Features
( ) Brand Name ( ) Price ( ) Hydrotherapy
( ) Home Resale \_\_\_\_\_
( ) Other \_\_\_\_\_

- 4. Who finally decided which product you would buy?
( ) Self ( ) Spouse ( ) Self and Spouse Together
( ) Other Family Member ( ) Designer/Architect
( ) Builder/Plumber/Remodeler ( ) Already Installed

- 5. Who installed? ( ) Already installed/New Home
( ) Contractor/Plumber when remodeling
( ) Self/Spouse when remodeling
( ) Other \_\_\_\_\_

6. What is the current market value of this property?
Please estimate \$ \_\_\_\_\_

7. What is the age of the head of the household? Years \_\_\_\_\_

- 8. What other manufacturers did you consider?
( ) Eljer ( ) Aquatic Bath ( ) Price Pfister ( ) Aqua Glass
( ) Kohler ( ) American Standard ( ) Sterling
( ) Other (Specify) \_\_\_\_\_

- 9. How long did you shop before purchasing unit?
( ) 1 day ( ) 2 months- 6 months
( ) 2-7 days ( ) 6 months- 1 year
( ) 1 week- 2 weeks ( ) 1 year- 2 years
( ) 2 weeks- 4 weeks ( ) +2 years
( ) 1 month- 2 months

10. Approximately how long have you lived in this home \_\_\_\_\_?

- 11. Please indicate, approximately, the total annual income of your household.
( ) Up to \$24,999 ( ) \$50,000 to \$74,999
( ) \$25,000 to \$29,999 ( ) \$75,000 to \$99,999
( ) \$30,000 to \$39,999 ( ) \$100,000 to \$149,999
( ) \$40,000 to \$49,999 ( ) \$150,000 and Above

- 12. Was your purchase process?
( ) Very easy ( ) Easy ( ) Difficult ( ) Very Difficult
13. How technically aware were you of the patented Jacuzzi® jet system prior to your purchase?
( ) Not aware ( ) Somewhat aware ( ) Very aware

Ninety-Day Parts Only Limited Warranty On Accessory(ies)



## MANUAL DE INSTALACIÓN E INFORMACIÓN SOBRE LA GARANTÍA

**Jacuzzi Luxury Bath**  
14525 Monte Vista Avenue  
Chino, CA 91710  
1-800-288-4002  
[www.jacuzzi.com](http://www.jacuzzi.com)

## Índice

Información del producto.....	2
Instrucciones de seguridad importantes.....	3-4
Inspección y prueba.....	4
Estructura y soporte.....	5-6
Conexiones eléctricas.....	6
Material específico de Fuzion®.....	7-8
Funcionamiento de la cromoterapia.....	9
Procedimientos de instalación.....	9-12
Instalación de los paneles del faldón (solo para los modelos con faldón).....	13
Limpieza luego de la instalación.....	13
Limpieza general.....	13
Mantenimiento general.....	14
Servicio técnico autorizado.....	14
Tarjeta de registro de la garantía.....	15-16

*\*For Spanish and French installation instructions, please visit [www.jacuzzi.com/baths/support/owners-manuals/](http://www.jacuzzi.com/baths/support/owners-manuals/).*

*\*Para instrucciones de instalación en español, por favor visite [www.jacuzzi.com/baths/support/owners-manuals/](http://www.jacuzzi.com/baths/support/owners-manuals/).*

*\*Pour les directives d'installation en français canadien, veuillez visiter [www.jacuzzi.com/baths/support/owners-manuals/](http://www.jacuzzi.com/baths/support/owners-manuals/).*

### Información del producto

Conserve estas instrucciones para uso futuro. Utilice el formulario a continuación para registrar su modelo y número de serie para referencia futura.

Fecha de compra: \_\_\_\_\_

Comprado a: \_\_\_\_\_

Instalado por: \_\_\_\_\_

Número de serie: \_\_\_\_\_

Modelo: \_\_\_\_\_

**Instalador:** Deje el manual para el propietario.

**Propietario:** Lea este manual y consérvelo para referencia futura.



## Instrucciones de seguridad importantes

Este es un producto de calidad profesional. Se requieren conocimientos prácticos de técnicas de construcción, fontanería e instalación eléctrica según los códigos para la instalación apropiada y la satisfacción del usuario. Recomendamos que todos los productos Jacuzzi® sean instalados por un contratista autorizado. Nuestra garantía no cubre problemas relacionados con instalaciones inadecuadas.

**LEA Y SIGA TODAS LAS INSTRUCCIONES. CONSERVE ESTAS INSTRUCCIONES.** Utilice esta unidad solo para el fin para el cual fue diseñada, según se describe en este manual. No utilice accesorios que no estén recomendados por el fabricante. No deje caer ni introduzca objetos en ninguna de las aberturas.

**⚠ PELIGRO: RIESGO DE LESIONES ACCIDENTALES O AHOGAMIENTO.** No permita que los niños utilicen esta unidad a menos que sean supervisados atentamente en todo momento. No utilice bañeras de hidromasaje que no tengan todas sus tapas protectoras de succión instaladas para evitar que el cabello o alguna parte del cuerpo quede atrapada.

**⚠ PELIGRO: RIESGO DE LESIONES GRAVES POR DESCARGA ELÉCTRICA O MUERTE POR ELECTROCUCIÓN.** Esta unidad se debe conectar solamente a un circuito de suministro que esté protegido por un interruptor de circuito con detección de falla a tierra (GFCI, por su sigla en inglés) de 15 A. Dicho GFCI debe ser suministrado por el instalador y debe ser puesto a prueba habitualmente. Cuando pruebe el GFCI, siga las instrucciones del fabricante. El GFCI debería interrumpir la alimentación. Pulse el botón de restablecimiento. La alimentación debería restablecerse. Si el GFCI no funciona de esta manera significa que está defectuoso. Si el GFCI interrumpe la alimentación hacia la bañera sin que se pulse el botón de prueba, un flujo de corriente de retorno por tierra está indicando la posibilidad de una descarga eléctrica. No utilice esta bañera de hidromasaje. Desconecte la bañera de hidromasaje y haga corregir el problema por un representante calificado del servicio técnico antes de usarla.

**⚠ PELIGRO: RIESGO DE DESCARGA ELÉCTRICA.** No utilice electrodomésticos como secadores de pelo, lámparas, teléfonos, radios o televisores dentro de un radio de 60 pulgadas (1524 mm) de esta bañera de hidromasaje. Realice la conexión solamente a un circuito protegido por un interruptor de circuito con detección de falla a tierra (GFCI). Para unidades conectadas permanentemente, hay un terminal de color verde o un conector de cable marcado como "G", "GR", "GROUND" o "GROUNDING" dentro del compartimiento del terminal. Para reducir el riesgo de descarga eléctrica, conecte el terminal o el conector al terminal a tierra de su servicio eléctrico o panel de alimentación con un conductor de igual tamaño a los conductores del circuito que alimentan el equipo.

**⚠ ADVERTENCIA: LA INMERSIÓN PROLONGADA EN AGUA CALIENTE PUEDE CAUSAR HIPERTERMIA.** La hipotermia ocurre cuando la temperatura interna del cuerpo alcanza un nivel muy superior a la temperatura corporal normal de 98.6 °F (37 °C). Los síntomas de la hipotermia incluyen el aumento de la temperatura corporal interna, mareos, aletargamiento, somnolencia y desmayo. La temperatura del agua por encima de los 104 °F (40 °C) puede resultar perjudicial para su salud. Controle y regule la temperatura del agua antes de utilizar la bañera. Los efectos de la hipotermia incluyen los siguientes:

- A. Incapacidad para percibir el calor.
- B. Incapacidad para reconocer la necesidad de salir de la bañera.
- C. Desconocimiento de un peligro inminente.
- D. Daño fetal en mujeres embarazadas.
- E. Incapacidad física para salir de la bañera.
- F. Pérdida del conocimiento con peligro de ahogamiento.

**⚠ ¡PELIGRO!** Este equipo está previsto para uso en interiores solamente. Instale el equipo conforme a estas instrucciones. Utilice los cables de alimentación adecuados para 167 °F (75 °C), incluido el índice de temperatura de los conductores de alimentación que se van a utilizar. Esta unidad debe conectarse eléctricamente a tierra, y debe instalarse un contratista, electricista o fontanero matriculado. Los materiales de construcción y el cableado deben direccionarse lejos del motor/bomba o del generador de burbujas de aire, o de otros componentes de producción de calor de esta unidad. En el exterior del motor/bomba y del calentador, se proporciona un conector de cable de presión para facilitar la conexión de un conductor de unión de cobre sólido n.º 8 AWG entre esta unidad y todos los otros equipos eléctricos y los metales expuestos próximos, según sea necesario para cumplir con los requerimientos locales.

**⚠ ¡PELIGRO! RIESGO DE LESIONES GRAVES O MUERTE.** Riesgo de lesión fetal. Las mujeres embarazadas o con posibilidad de embarazo deben consultar a un médico antes de utilizar una bañera de hidromasaje con calentador.

**⚠ ¡PELIGRO! RIESGO DE LESIONES GRAVES O AHOGAMIENTO.** Mantenga el cuerpo y el cabello a una distancia mínima de 6 pulgadas (152 mm) del accesorio de succión siempre que el sistema de hidromasaje esté en funcionamiento. El cabello que caiga por debajo de los hombros debe llevarse recogido.

**⚠ ¡PRECAUCIÓN!** No sumerja el panel de control llenando la bañera en exceso.

## Instrucciones de seguridad importantes (continuación)

**⚠ ¡ADVERTENCIA! RIESGO DE LESIÓN GRAVE.** Para evitar lesiones, tenga cuidado al entrar y al salir de la bañera de hidromasaje.

**⚠ ¡PRECAUCIÓN!** No consuma drogas ni alcohol antes o durante la utilización de la bañera de hidromasaje con calentador. Las personas que tomen medicamentos o tengan una historia clínica desfavorable deben consultar a un médico antes de utilizar una bañera de hidromasaje con calentador. Podría producirse un ahogamiento.

**⚠ ¡ADVERTENCIA! RIESGO DE LESIONES GRAVES O MUERTE.** No utilice una bañera de hidromasaje con calentador inmediatamente después de realizar ejercicios físicos extenuantes.

**⚠ ¡PRECAUCIÓN! PARA REDUCIR EL DAÑO AL PRODUCTO.** Utilice esta unidad solo para el fin para el cual fue diseñada, según se describe en este manual. No utilice accesorios que no estén recomendados por los fabricantes. No altere los controles operados por el usuario ni los dispositivos semejantes.

### CONSERVE ESTAS INSTRUCCIONES.

Jacuzzi Luxury Bath (la "empresa") ha obtenido los listados de los códigos (normas) aplicables que suelen estar disponibles a nivel nacional para productos de este tipo. Es responsabilidad del instalador o propietario determinar el cumplimiento de los códigos locales específicos antes de instalar el producto. La empresa no realiza declaraciones ni ofrece garantías con respecto al cumplimiento de ningún código, ni será responsable de dicho cumplimiento. Las especificaciones del producto están sujetas a cambio sin previo aviso.

## Inspección y prueba

### Inspección

1. Retire la bañera de la caja de envío. Tenga cuidado de no rayar la superficie de la bañera con las grapas expuestas. Retire las grapas o pliéguelas hacia el cartón. Conserve la caja hasta que la inspección del producto haya sido satisfactoria. Nunca levante la bañera sujetándola por la fontanería; solo hágalo por el armazón.
2. Inspeccione el armazón y los componentes de la bañera. En caso de que la inspección revele cualquier daño o defecto en el acabado o daño visible en los componentes, no instale la bañera. Los daños o defectos en el acabado reclamados después de la instalación de la bañera están excluidos de la garantía. La responsabilidad de Jacuzzi Luxury Bath por daños durante el transporte finaliza contra entrega de los productos en buen estado al transportista.
3. Presente sus reclamos por daños al transportista. Para conocer los términos de la cobertura y las limitaciones de la garantía, consulte la información publicada sobre la garantía embalada con el producto o al final de este manual.

### Verificación del funcionamiento y del agua de la bañera

El funcionamiento apropiado de todas las unidades y el buen estado de las conexiones herméticas son probados en fábrica antes del envío. No obstante, el instalador debe examinar la unidad nuevamente antes de la instalación. Jacuzzi Luxury Bath no se hace responsable de ningún defecto que pudiera haberse descubierto, reparado o evitado de haberse seguido este procedimiento de inspección y prueba:

1. Coloque la bañera sobre una superficie nivelada, cerca de un suministro eléctrico, suministro de agua y drenaje de agua adecuados. Una vía de acceso es una opción adecuada.
2. Cubra el orificio de drenaje y de desborde con una cinta o un tapón y llene la bañera hasta la base del orificio de desborde.
3. Permita que el agua de la bañera repose por 5 minutos.
4. Conecte el motor/bomba y encienda la unidad. Confirme que todas las características funcionen según se describe en el Manual de uso. No instale la bañera si no funciona como se describe.
5. Inspeccione visualmente todas las uniones para ver si hay goteos. No instale la bañera si se detectan pérdidas.
6. Vuelva a colocar la bañera en la caja o de lo contrario protéjala de daños hasta el momento de la instalación.

## Estructura y soporte

### LEA TODAS LAS INSTRUCCIONES DE INSTALACIÓN. LA INSTALACIÓN INADECUADA ANULA LA GARANTÍA.

La estructura del piso debajo de la bañera debe poder soportar el peso total de la bañera, el agua y el ocupante. Consulte con un ingeniero mecánico.

#### ¡IMPORTANTE!

Asegúrese de que las paredes y los pisos cumplan los requisitos de seguridad contra incendios del código de construcción y/o los estándares mínimos de propiedad de acuerdo a la Administración Federal de la Vivienda/ Departamento de Vivienda y Desarrollo Urbano.

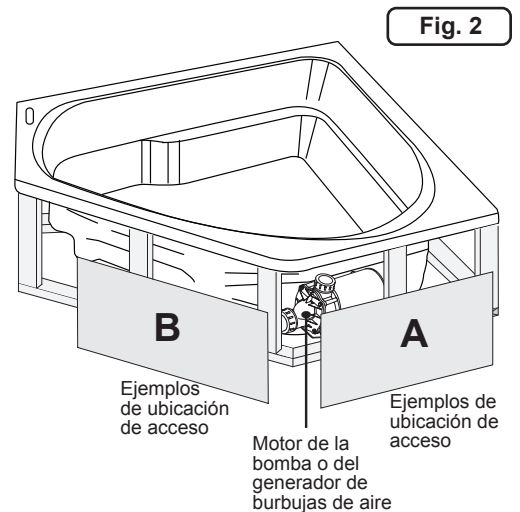
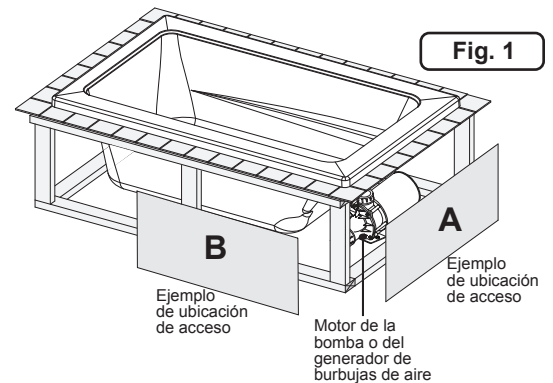
Respete todos los códigos y ordenanzas.

1. La correcta instalación es su responsabilidad. Haga instalar esta bañera por un técnico calificado.
2. Se debe realizar la instalación con un interruptor del circuito de fallos de conexión a tierra (GFCI).
3. Es responsabilidad del cliente:
  - Comunicarse con un instalador electricista calificado.
  - Asegurarse de que la instalación eléctrica es adecuada y sigue el Código nacional de electricidad (NEC).

Se pueden encontrar las especificaciones técnicas en [www.jacuzzi.com/baths/support/](http://www.jacuzzi.com/baths/support/).

Enmarque el espacio donde colocará la bañera. Al preparar el área deberá tener en cuenta lo siguiente:

- Las dimensiones proporcionadas en los diagramas de instalación son nominales. Tome las medidas de su unidad al recibirla y construya conforme a las dimensiones reales.
- Para instalar el producto correctamente, el hueco finalizado debe tener las dimensiones interiores correctas, según la sección de dimensiones principales de la Hoja de especificaciones técnicas.
- Para instalar en huecos de tres lados, utilice una bañera moldeada integral con borde de azulejos en tres lados. Si utiliza el borde opcional de azulejos, consulte las instrucciones incluidas en el kit.
- De ser necesario, cuando remodele puede agregar travesaños en cada punta para agregar una superficie vertical para clavar las cuñas laterales del producto.
- Para evitar obstrucciones durante la instalación, asegúrese de que las tuberías de suministro y de la boca y la plomería de la válvula no sobresalgan en el hueco.
- Las bañeras necesitan una abertura en el piso de 6 x 12 pulgadas (150 mm x 305 mm) para el kit de drenaje, desagüe y rebosadero (DWO) de 1,5 pulgadas (38 mm).
- Asegúrese de que la ubicación de la abertura en el piso coincida con la ubicación del desagüe de la bañera.
- Se recomienda utilizar yeso para moldear o de estuco (material para los cimientos) para todas las estructuras comerciales (como hoteles, moteles, dormitorios, gimnasios, etc.).
- La bañera debe estar apoyada sobre su base, no sobre su borde.
- Por norma UPC, se debe facilitar el acceso a la bomba/motor de su modelo específico (Figura 1 y 2).
- Provea una ventilación apropiada para el enfriamiento y un suministro de aire suficiente para la bomba/motor. No coloque aislamiento alrededor del equipo.
- Es responsabilidad del instalador, el contratista de obra o el propietario proporcionar el acceso al servicio. Jacuzzi no se responsabiliza de ninguno de los costos relacionados con la obtención de accesos para efectuar reparaciones. El propietario debe soportar dichos costos y, si es apropiado, debe solicitar la reposición del instalador.



**A = Acceso principal (obligatorio)**  
**B = Acceso secundario para el equipo (opcional)**

Las ilustraciones se muestran con estructura para mayor claridad.

**¡IMPORTANTE:** El acceso a la unidad por la izquierda se encuentra en el lado opuesto (en espejo).

## Estructura y soporte (continuación)

### Contrapiso

Prepare el contrapiso para el drenaje y asegúrese de que el área esté nivelada.

1. El drenaje/rebosadero de la bañera se extiende por debajo de la parte inferior de ésta. Se pueden encontrar las especificaciones técnicas en [www.jacuzzi.com/baths/support/](http://www.jacuzzi.com/baths/support/).
2. Realice los cortes adecuados en el contrapiso para ubicar el drenaje.
3. La base Tru-Level® de Jacuzzi es una característica estándar en todas las bañeras. Si el contrapiso está nivelado y tiene una superficie continua, no es necesario realizar otra preparación. Diríjase a la sección "Conexiones eléctricas".
4. Si el contrapiso no está nivelado, debe nivelar toda la superficie antes de instalar la bañera. Los materiales utilizados asegurarán que la bañera esté sostenida desde la parte inferior. Estos materiales incluyen: compuesto de nivelación, mortero, yeso o espuma estructural de mínima expansión (con una densidad de 5 lb/pie cúbico, como mínimo). La bañera debe permanecer nivelada para que pueda drenar adecuadamente, y debe hacer contacto con el material de nivelación. Ambos lados de una junta o un empalme del contrapiso deben estar nivelados.

## Conexiones eléctricas

**⚠ PELIGRO: RIESGO DE DESCARGA ELÉCTRICA.** Realice la conexión sólo a un circuito protegido por un GFCI (Figura 3).

**⚠ ¡PRECAUCIÓN!** La toma eléctrica debe instalarse 4" (101 mm) por encima de la línea del piso y un máximo de 12" (305 mm) hacia dentro desde el borde de la bañera (Figura 3), o de acuerdo con los códigos eléctricos y de construcción locales.

**⚠ ¡PRECAUCIÓN!** Riesgo de calentamiento excesivo de los componentes. No utilice el prolongador eléctrico para suministrar corriente a esta unidad. El accionamiento de la bomba sin la cantidad de agua suficiente en la bañera pueden causar un daño permanente a la bomba o motor.

Si la unidad del GFCI indica mal funcionamiento, según las instrucciones del fabricante, DESCONECTE la alimentación y no intente utilizar la bañera hasta identificar y corregir el origen del problema.

**NOTAS:** Al utilizar productos eléctricos, siempre debe tomar las siguientes precauciones básicas. Siempre siga los códigos para el sistema eléctrico y de construcción locales. Es necesaria una conexión a tierra. La unidad debe ser instalada y conectada a tierra por un electricista especializado.

**SOLO PARA MODELOS CANADIENSES:** Los componentes deben estar conectados en las cajas de conexiones (incluidas) que se encuentran en la unidad.

**Se pueden encontrar las especificaciones técnicas en [www.jacuzzi.com/baths/support/](http://www.jacuzzi.com/baths/support/).**

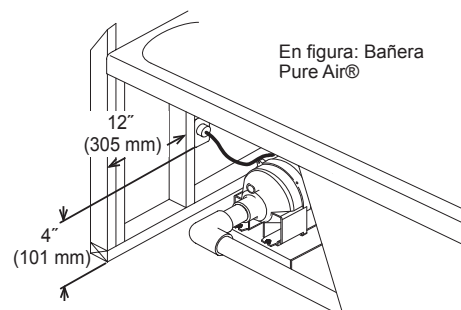
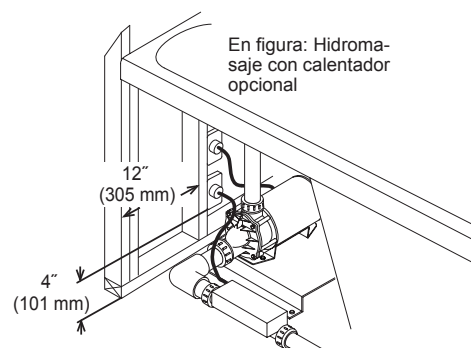


Fig. 3



**Material específico de Fuzion®**

Las características de diseño adicionales de Fuzion® requieren que se completen los siguientes pasos antes de instalar la bañera en el recubrimiento construido. Los pasos siguientes además deben completarse en el orden especificado:

1. Instalación del grifo Fuzion®
2. Instalación del drenaje/desborde Fuzion®
3. Instalación del marco de madera Fuzion®
4. Instalación del panel de control Fuzion®

**Instalación del grifo Fuzion®**



Selección de un grifo para el montaje en el borde de la bañera: El espesor combinado del borde del armazón de la bañera y la plataforma opcional de madera es de 2" (50 mm) nominales. La longitud de el/los apéndice/s del grifo debe ser lo suficientemente extensa para superar esta dimensión y tener espacio suficiente para ensamblar cualquier herraje (es decir, contratuerca, accesorios para el suministro de agua, etc.) necesario para la instalación. Para las unidades de montaje bajo cubierta, el espesor combinado del armazón de la bañera es de un valor nominal de 1/2" (12 mm), y la plataforma de montaje bajo cubierta no debe superar la longitud de el/los apéndice/s del grifo, incluidos los herrajes para montaje.

**Instalación del drenaje/desborde Fuzion®**



Montaje conforme a los códigos de fontanería y de construcción locales.

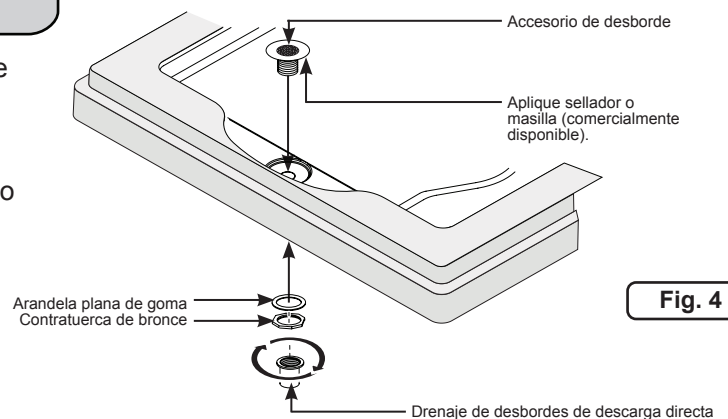
1. Identifique el equipo de drenaje de rebosadero proporcionado con su bañera. Retire y abra el conjunto contra desbordes y confirme que se encuentren todas las partes.
2. Extraiga las arandelas y las tuercas del accesorio de rebosadero.
3. Coloque una pequeña cantidad de masilla de fontanería, silicona o un sellador similar autorizado alrededor de la parte inferior del ala superior del accesorio de rebosadero.
4. Coloque el accesorio de rebosadero en el orificio de desborde de la bañera (Figura 4).
5. Desde la parte inferior de la unidad, coloque la arandela de goma, luego ajuste la contratuerca en el accesorio de rebosadero y apriete para que quede asegurado. Tenga cuidado de no apretar demasiado.
6. Arme las piezas restantes de drenaje como se muestra en la ilustración.
7. Luego de que el drenaje esté completamente instalado, pruébelo para controlar que el drenaje sea apropiado. Si la unidad no drena adecuadamente, corrija esta condición antes de continuar con la instalación de la bañera.



La instalación impermeable del drenaje y el sistema contra desbordes es responsabilidad del instalador. La pérdida del drenaje no está incluida en la garantía Jacuzzi Luxury Bath de este producto.

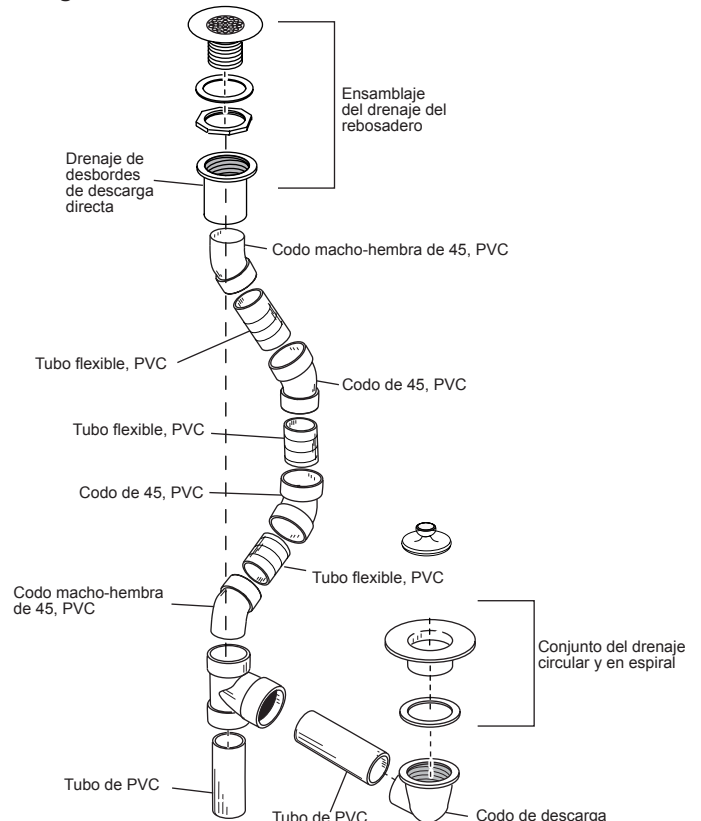


**OPCIONAL:** Si el marco de madera Fuzion® no se utiliza, continúe con el Paso 2 en la sección de Instalación de montaje bajo cubierta, página 11.



**Fig. 4**

**Figura 4: Instalación del sistema contra desbordes**

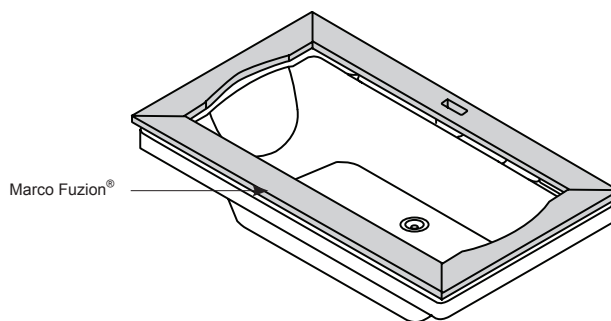


## Material específico de Fuzion® (continuación)

### Instalación del marco Fuzion®



Si está instalando una bañera Fuzion® con un marco accesorio, consulte la Guía de instalación del marco Fuzion® (#GL44000) antes de continuar. Complete los pasos de armado e instalación conforme a la Guía de instalación del marco Fuzion®.



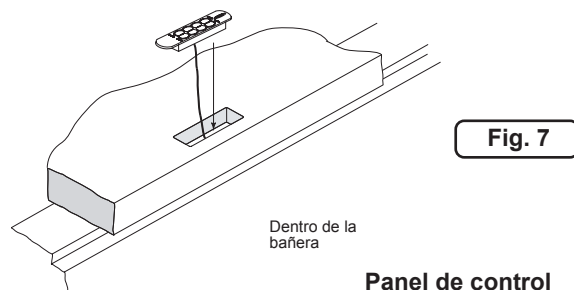
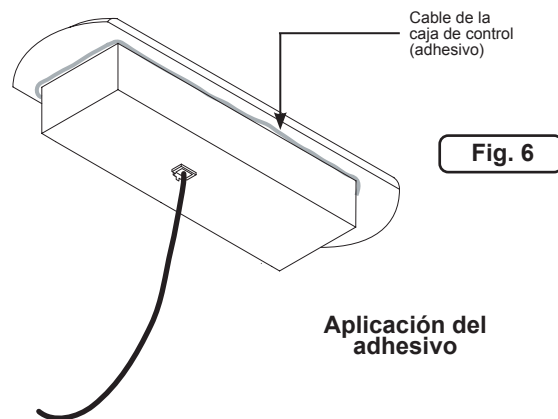
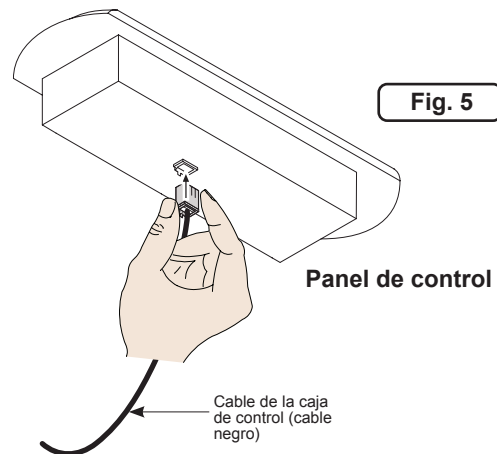
### Instalación del panel de control Fuzion®



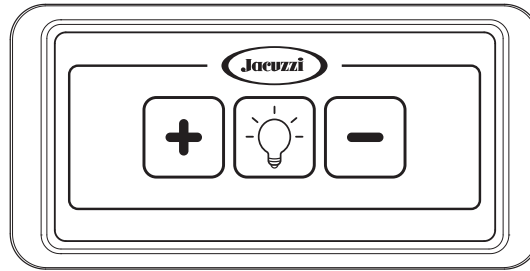
Los siguientes recortes deben estar limpios y libres de suciedad o adhesivos.

- Recorte del panel de control en el marco de madera armado.
- Recorte del panel de control en la encimera armada.
- Recorte del panel de control en la bañera.

1. Inserte el conector de cable en la parte posterior del panel de control (Figura 5).
2. Aplique una pequeña cantidad de adhesivo alrededor de la base del panel de control (Figura 6).
3. Pase el cable por el recorte y hacia la caja de control.
4. Oriente el panel de control de la siguiente manera: el logotipo debe quedar del lado derecho del panel de control J4 cuando usted esté sentado en la bañera (el botón de encendido estará a la derecha del panel de control de LCD J5).
5. Baje el panel de control en el recorte y presione firmemente para incrustar el adhesivo (Figura 7).
6. Conecte el cable con la caja de control.
7. Diríjase al Paso 3 en la sección de Instalación empotrada, página 10.



## Funcionamiento de la cromoterapia



### CROMOTERAPIA

- Presione una vez para ENCENDER las luces en blanco nivel 2.
- Presione una vez más para rotar los colores.
- Presione una vez más para detenerse en el color actual.
- Presione una vez más para volver a rotar.



### AUMENTAR ALTERNACIÓN

- Presione para aumentar la intensidad de las luces.
  - Presione para ENCENDER las luces en el último color utilizado antes de APAGARSE.
- NOTA: El color predeterminado de la luz es blanco nivel 2.



### DISMINUIR ALTERNACIÓN

- Presione para disminuir la intensidad de las luces hasta apagarse.
- NOTA: El color predeterminado de la luz es blanco nivel 2.

Si la cromoterapia no funciona:

- Reinicie el GFCI.
- Asegúrese de que el enchufe esté completamente insertado en la toma.
- Asegúrese de que los conectores del panel de control y de la caja de control estén totalmente activados en los receptáculos.
- Comuníquese con el electricista para asegurarse de que el GFCI recibe los cables y la electricidad correctos.
- Comuníquese con Jacuzzi Luxury Bath si las sugerencias anteriores no resuelven el problema.


## Procedimientos de instalación (todos los modelos)



**PELIGRO: Riesgo de descarga eléctrica. Desconecte el suministro de energía hacia los circuitos protegidos con GFCI.**



Antes de comenzar la instalación, lea lo siguiente:

- Cumpla con todos los códigos locales y de construcción.
  - Determine las herramientas que va a utilizar durante la instalación.
  - Las piezas adicionales de drenaje de la bañera y fontanería están comercialmente disponibles en las tiendas de instalaciones sanitarias y ferreterías.
1. Instale el drenaje/rebosadero conforme a las instrucciones del fabricante. Consulte también el Manual de especificaciones técnicas.
    -  La instalación impermeable del drenaje es responsabilidad del instalador. La pérdida del drenaje no está incluida en la garantía Jacuzzi Luxury Bath de este producto.
  2. Instale el grifo en este momento (si corresponde). Se recomienda que el grifo sea instalado por un fontanero calificado. Consulte las notas especiales en la sección no empotrada sobre la grifería.



La instalación adecuada de las tuberías de descarga y el cumplimiento de los códigos locales son responsabilidad del instalador. Jacuzzi Luxury Bath no garantiza las conexiones de las tuberías ni los accesorios para el suministro de agua, los sistemas de llenado o los sistemas de drenaje/desborde. Tampoco se responsabiliza de los daños ocasionados a la bañera que puedan ocurrir durante la instalación.



Se debe colocar una barrera protectora no inflamable entre el trabajo de soldadura y la bañera para evitar daños en la unidad.

## Procedimientos de instalación (continuación)

- Se debe dejar un espacio libre suficiente para acceder a las conexiones de servicios (bomba/motor, controles, plomería del calentador y conexiones eléctricas).
- Materiales para el apoyo inferior: No es necesario utilizar yeso para moldear o de estuco (de ahora en adelante, material para los cimientos), pero es muy recomendable para lograr un apoyo inferior más firme. Mezcle el material para los cimientos en un cubo. Coloque un montículo grande sobre el contrapiso, alrededor del centro del fondo de la bañera. Los montículos deberían tener la altura suficiente para que, cuando se coloque la bañera, el yeso se desplace y se esparza.

### Instalación empotrada

- Prepare el orificio de corte para la bañera; utilice la plantilla de tamaño natural proporcionada o las dimensiones de corte indicadas en el Manual de especificaciones técnicas, que se encuentra en [www.jacuzzi.com/baths/support](http://www.jacuzzi.com/baths/support).



La plantilla puede mostrar indicaciones para más de una bañera. Asegúrese de seleccionar las indicaciones apropiadas. Si considera el montaje bajo cubierta como una opción, procure seleccionar las indicaciones que se aplican a la instalación que está realizando.

- Finalice todo el trabajo de acabado de la plataforma y cúbrala para evitar daños mientras coloca la bañera.
- Coloque pedazos de madera para desecho en cada uno de los extremos del recorte; esto se utilizará como un soporte temporal antes de bajar la bañera completamente en la abertura (Figura 8).
- Instale la unidad. Para las unidades con motor/bomba y/o generador de burbujas de aire, coloque primero la parte con el motor/bomba y baje la bañera en la abertura (Figura 9).
- La bañera debe estar nivelada. Para verificarlo, utilice un nivelador en los bordes a ambos lados de la bañera y en la parte superior del umbral (Figura 10).
- Encienda el suministro de energía para los circuitos especializados protegidos con GFCI y compruebe el funcionamiento del sistema.
- Aplique masilla alrededor del perímetro de la bañera para sellar el espacio entre el borde y la plataforma terminada (Figura 11).

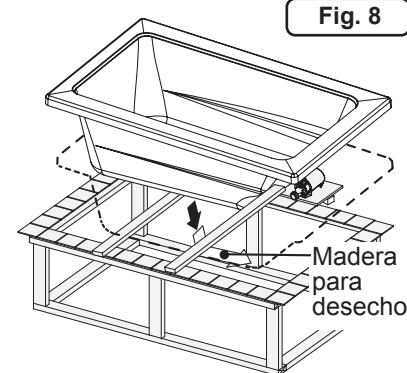


Fig. 9

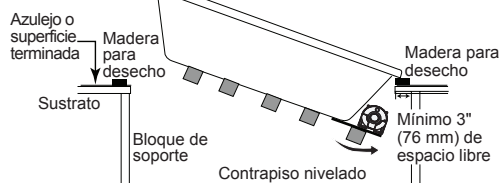


Fig. 10

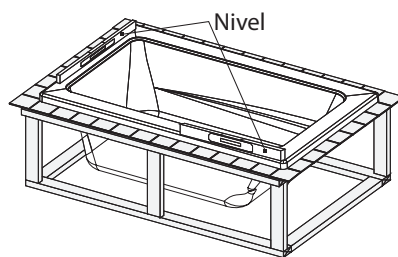
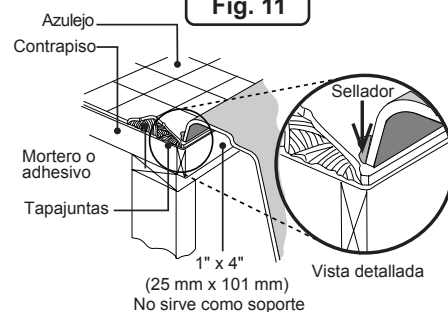


Fig. 11





## Procedimientos de instalación

### Instalación de montaje bajo cubierta

1. Inspeccione todos los accesorios, las instalaciones de fontanería y las líneas de control luego de colocar la bañera para verificar que ninguno de los componentes esté dañado o desconectado.
2. Encadre la bañera y conecte el drenaje.
3. Corte la plataforma para que calce utilizando la plantilla de montaje bajo cubierta que viene con la unidad de la siguiente manera:
  - Ubique la plantilla de modo que las guías deseadas de montaje bajo cubierta estén alineadas con el borde tal como se muestra.
  - Con un lápiz litográfico, marque las líneas del centro (indicadas con  $\Phi$  en la plantilla). Quite la plantilla.
  - Mida la distancia desde la pared u otro punto fijo hasta las líneas del centro (Figura 12).
4. Fije la encimera a la bañera. Limpie cualquier suciedad o residuo de la parte superior del borde de la bañera.
5. Encienda el suministro de energía para los circuitos especializados protegidos con GFCI y compruebe el funcionamiento del sistema.

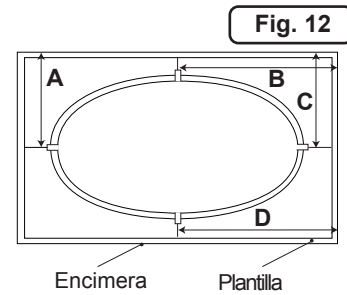


Fig. 12



**¡PRECAUCIÓN!** No utilice adhesivo ni sellador adhesivo para fijar la bañera a la plataforma. Si se requiere mantenimiento o remodelación, es posible que deba quitarse la plataforma. El adhesivo unirá de manera permanente la bañera a la plataforma.

6. Aplique una capa continua de sellador de silicona alrededor de toda la junta entre la encimera y el borde de la bañera. Deje curar el sellador de acuerdo con las instrucciones del fabricante (Figura 13).

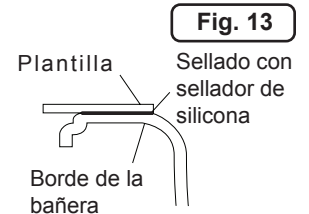


Fig. 13

### Instalación en el hueco de 3 paredes

1. Asegúrese de que el hueco enmarcado tenga el tamaño, escuadra y plomería correctos para el Jacuzzi; verifique el nivel del piso (Figura 14). Se deberían mantener las dimensiones al mínimo hasta que la unidad se encuentre en el lugar de trabajo. Las medidas pueden variar entre +0 y -0,25" de las especificaciones originales.
2. Coloque la bañera en el hueco, con el faldón frontal firmemente fijado al piso. La bañera debe estar nivelada. Para verificarlo, utilice un nivelador en los bordes a ambos lados de la bañera y en la parte superior del borde (Figura 15).
3. Luego de nivelar la bañera, marque todos los travesaños (muros de concreto o bloque) de forma inmediata sobre el borde horizontal posterior. Quite la bañera del hueco. Mida la distancia entre la parte superior del borde horizontal posterior y la parte inferior de la cuña de la bañera, aproximadamente 1,5" (40 mm). Marque esta dimensión con cuidado en los travesaños posteriores (o en la pared), por debajo de la primera marca (Figura 15, inserción).
4. Instale una tira de apoyo: Jacuzzi exige que se utilicen apoyos debajo de las cuñas traseras de las bañeras, para evitar que se muevan. Utilice una tira horizontal de apoyo en toda la cuña trasera o bien apoyos en "I" o "T" en posición vertical en al menos dos puntos. Clave una tira de apoyo de 1" x 3" (25 mm x 75 mm) justo por debajo de las marcas inferiores que hizo en el marco (Figura 15, inserción).
5. Cuando ajuste el marco de madera, taladre las cuñas previamente con una punta de carburo de 0,125" (5 mm) y ajústelo con tornillos auto taladrantes de rosca chapa n.º 8 x 1,5" (38 mm); para los muros de concreto o bloque, use clavos para concreto de 1" (25 mm) con una clavadora o con martillo.

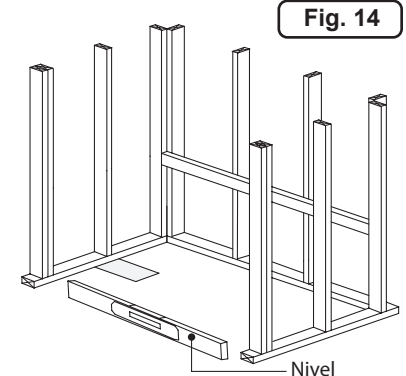


Fig. 14

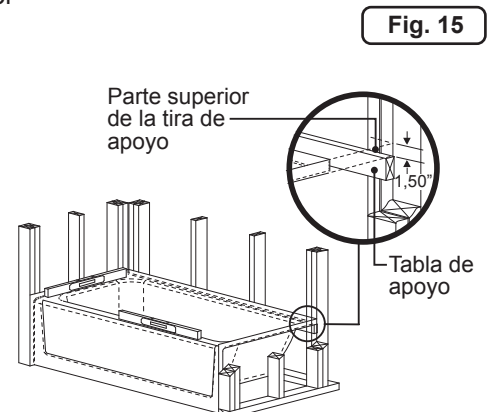


Fig. 15

**NOTA:** Se recomienda taladrar previamente las cuñas para evitar que se raje la unidad de acrílico. Coloque silicona en la parte superior de los tornillos pasadores para asegurar la impermeabilidad

## Procedimientos de instalación (continuación)

- Ubique las dos esquinas inferiores y las dos superiores de la cuña lateral vertical para clavar.
- Clave/ajuste en cada travesaño con las cuñas superiores a 16" (405 mm) del centro, desde las puntas hacia el centro de la parte posterior. Termine de ajustar con la cuña lateral vertical, a aproximadamente 8" (205 mm) del centro.
- Cuando se utilicen placas de apoyo que no sean de concreto, se recomienda instalar en los travesaños tiras de incrustación del grosor de las cuñas para clavar sobre la unidad instalada, para asegurarse de que las paredes estén niveladas. Se debe aplicar sellador 100 % de silicona con propiedades resistentes al moho entre la placa de apoyo y la superficie horizontal de la unidad (Figura 16). Luego se pueden aplicar los materiales de terminación de pared.

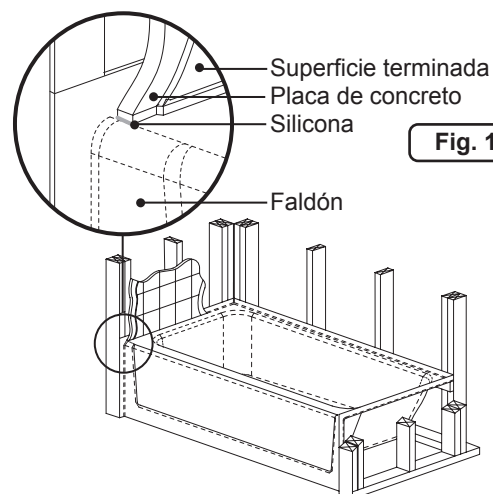


Fig. 16

**⚠ ¡ADVERTENCIA!** Se deben terminar otros trabajos según las normas aplicables y las prácticas de construcción aceptadas por regla general.

- Encienda el suministro de energía para los circuitos especializados protegidos con GFCI y compruebe el funcionamiento del sistema.
- Aplique masilla alrededor del perímetro de la bañera para sellar el espacio entre el borde y la plataforma terminada (Figura 16).

**⚠ ¡PRECAUCIÓN!** Aplique una capa continua de sellador de silicona alrededor de toda la junta entre la encimera y el borde de la bañera. Deje curar el sellador de acuerdo con las instrucciones del fabricante.

### Para el borde opcional de azulejos

- Instale el borde (no incluido) según las instrucciones que están incluidas en el kit. Si la bañera cuenta con un borde integrado, vea la instalación de hueco de 3 paredes, página 11.
- Coloque la bañera en el hueco. Atornille el borde al travesaño de madera. Es posible que deba colocar cuñas a la unidad para cerrar cualquier brecha que exista entre el travesaño de madera y el borde (Figura 17).

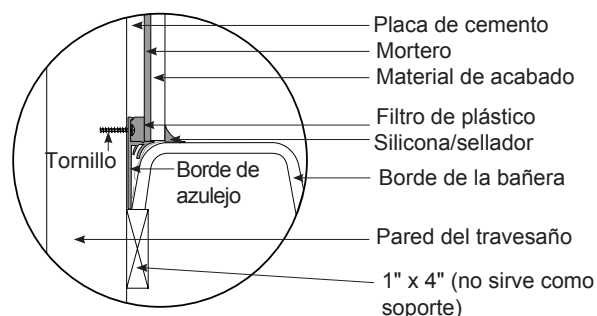


Fig. 17

### Bañeras con faldón opcional

- Atornille los bordes del faldón a los travesaños de la pared (Figura 18).

**⚠** Es posible que deba colocar cuñas a la unidad para cerrar cualquier brecha que exista entre los travesaños de la pared y los bordes.

- Complete el trabajo de acabado sobre los bordes del faldón.
- Aplique masilla alrededor del perímetro del faldón para sellar el espacio entre el faldón y la plataforma terminada.

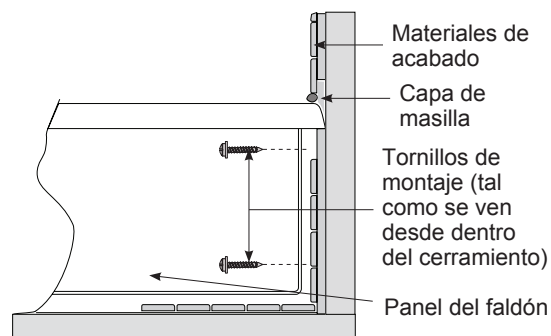


Fig. 18

## Instalación de los paneles del faldón (solo para los modelos con faldón)

El método de instalación de faldón se utiliza solo para bañeras exclusivas. Todas las demás bañeras de la colección Comfort utilizan imanes para asegurar los paneles del faldón.

### Para quitar el panel del faldón:

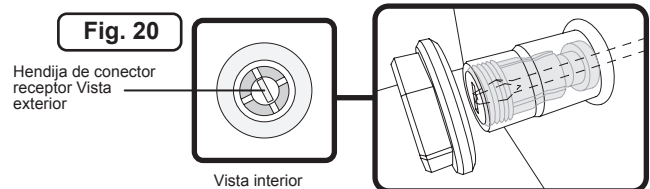
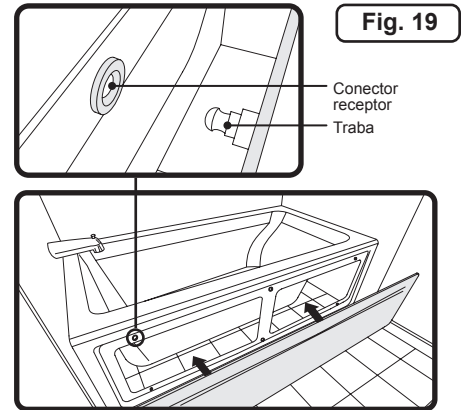
Sujete uno de los bordes del panel y tire para separarlo.

### Para reinstalar el panel del faldón (Figura 19):

Alinee las seis trabas del panel con los seis conectores receptores de la bañera y presione para que se inserten.

### Ajuste del panel del faldón (Figura 20):

Coloque un destornillador estándar por la hendidura trasera del conector receptor. Gire en sentido de las agujas del reloj para ajustar y en sentido contrario para aflojar.



## Limpieza luego de la instalación

Para evitar que la superficie de la bañera se raye o pierda brillo, nunca use limpiadores abrasivos. Para la mayoría de las superficies sucias, basta con usar un detergente líquido suave y agua tibia. Se recomienda lo siguiente:

- Quite el yeso derramado con un filo de madera o plástico. Las manchas de yeso o lechada pueden eliminarse frotando ligeramente con una esponja o un paño húmedo con detergente líquido. No use rasquetas de metal, cepillos de acero ni otras herramientas metálicas ya que dañarán la superficie de la bañera.
- Las manchas de pintura, alquitrán u otras manchas difíciles se pueden eliminar con Fantastik® o agua jabonosa.
- Los rayones leves que no penetran en el acabado de color se pueden eliminar lijando suavemente con un papel de lija húmedo o seco de grano 600. Puede restaurar el acabado brillante de la superficie acrílica de la bañera de un compuesto especial, el Mirror Glaze n.º 10 de Meguiar. Si no lo puede conseguir, utilice un compuesto de lustrado de automóviles y luego aplique cera en pasta para automóviles.
- Será necesario volver a aplicar el acabado si los rayones y estrías penetran en la superficie acrílica. Llame a Jacuzzi Luxury Bath para localizar a un agente de servicio cercano a su domicilio.

## Limpieza general

**¡PRECAUCIÓN!** No utilice aceite o aditivos para baño a base de aceites. Nunca utilice limpiadores abrasivos o cáusticos de uso doméstico en ningún producto Jacuzzi Luxury Bath.

Si quiere usar alguna clase de aditivo para baño, utilice sólo una pequeña cantidad de polvo de baja espuma; la acción de remolino intensifica las propiedades espumantes de los jabones.

El uso de algunos aceites para baño, baños de espumas y aditivos para baño puede aumentar el nivel de acumulación de residuos en el sistema de hidromasaje y puede provocar una falsa lectura de los sensores de nivel de agua. Si el exceso de acumulaciones persiste, deberá suspender el uso de estos productos.

Para eliminar la acumulación de los residuos de la bañera del sistema de hidromasaje, se recomienda limpiar la bañera regularmente. Sin embargo, para obtener mejores resultados, le recomendamos que limpie su bañera de hidromasaje luego de cada uso con Systems Clean™, nuestro exclusivo limpiador de dos componentes para sistemas de fontanería fabricado específicamente para bañeras de hidromasaje. Systems Clean™ se puede conseguir por medio de un distribuidor autorizado de Jacuzzi Luxury, llamándonos directamente al 1-800-288-4002, o se puede comprar en línea en [www.jacuzzi.com](http://www.jacuzzi.com).

## Mantenimiento general

Para limpiar la bañera, simplemente use un detergente líquido suave no abrasivo. Puede proteger y restaurar el brillo de una superficie acrílica aplicando Mirror Glaze n.º 10 de Meguiar, un producto diseñado específicamente para uso en acabados acrílicos. Si no se puede conseguir este producto de Meguiar, utilice un compuesto de buena calidad para el lustrado de automóviles seguido de una aplicación de cera en pasta transparente para automóviles.

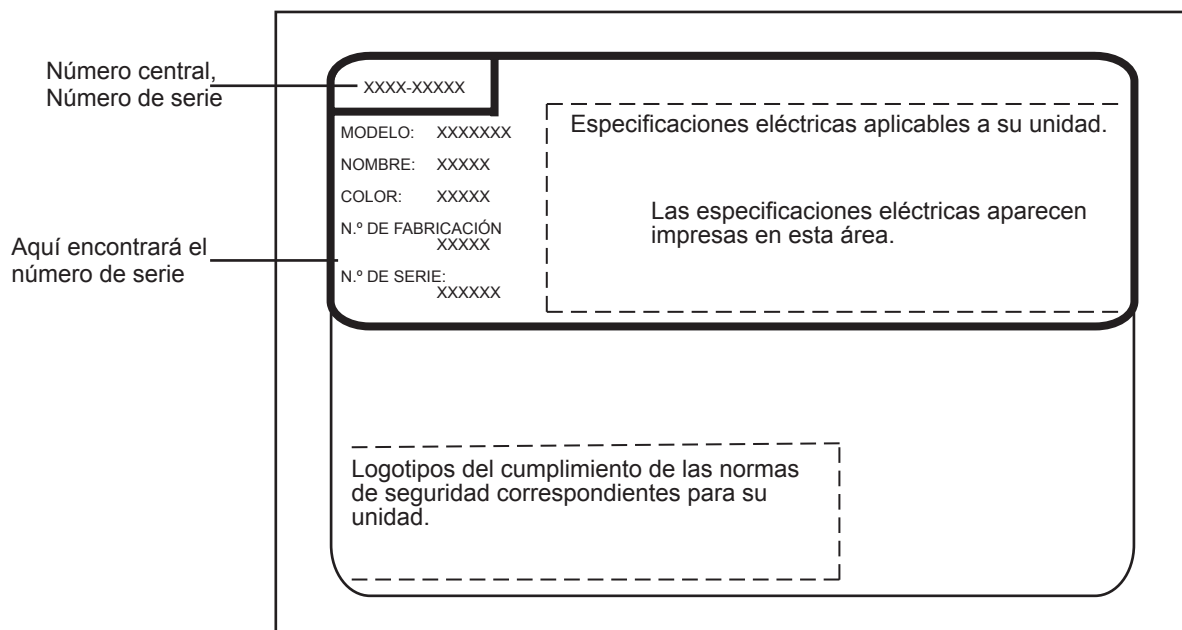
Los rayones menores que no penetran en el acabado de color se pueden eliminar lijando suavemente con un papel de lija húmedo o seco de grano 600. Restaure el brillo con Mirror Glaze de Meguiar o con cera en pasta para automóviles. Será necesario volver a aplicar el acabado si los rayones y estrías penetran en la superficie acrílica. Llame a Jacuzzi Luxury Bath para localizar a un agente de servicio cercano a su domicilio.

## Servicio técnico autorizado

Si necesita que lo deriven a una empresa de servicio técnico cercana a su domicilio o necesita ayuda con la operación o el mantenimiento, llame a nuestro Departamento de Soporte Técnico al 1-800-288-4002. Visite nuestro sitio web <http://www.jacuzzi.com/> para conocer los productos y servicios y obtener una copia electrónica de estas Instrucciones de instalación y funcionamiento.

Cuando solicite un servicio o asistencia técnica, tenga a mano tanto el número de modelo como el número de serie de su unidad. Puede consultar esta información en la tarjeta de registro del producto que se proporciona junto con la unidad. Si extravió la tarjeta, puede obtener esta información en la etiqueta de especificaciones/número de serie que se encuentra en la unidad. La etiqueta está ubicada en la pared de la bañera, cerca del motor/bomba.

### ETIQUETA DE ESPECIFICACIONES/NÚMERO DE SERIE



**LAS ESPECIFICACIONES DEL PRODUCTO ESTÁN SUJETAS A CAMBIO SIN PREVIO AVISO.  
UTILICE EL MANUAL DE ESPECIFICACIONES TÉCNICAS PROVISTO CON EL PRODUCTO.**

Jacuzzi Luxury Bath ha obtenido los listados de los códigos (normas) aplicables que suelen estar disponibles en línea en [www.jacuzzi.com/baths/support](http://www.jacuzzi.com/baths/support). Es responsabilidad del instalador o propietario determinar el cumplimiento de los códigos locales específicos antes de instalar el producto. Jacuzzi Luxury Bath no realiza manifestaciones ni ofrece garantías con respecto al cumplimiento de ningún código, ni será responsable de dicho cumplimiento.

Jacuzzi Luxury Bath  
14525 Monte Vista Avenue  
Chino, California, 91710  
1-800-288-4002  
[www.jacuzzi.com](http://www.jacuzzi.com)



Jacuzzi Luxury Bath  
14525 Monte Vista Avenue  
Chino, California 91710



## TARJETA DE REGISTRO DE LA GARANTÍA

Para completar el registro y para que ésta garantía entre en vigencia, visite nuestro sitio web en [www.jacuzzi.com](http://www.jacuzzi.com) o llene esta tarjeta y envíela por correo a la dirección impresa al dorso dentro de los treinta (30) días a partir de la fecha de compra.



Nombre del comprador \_\_\_\_\_

Dirección del comprador \_\_\_\_\_

Ciudad \_\_\_\_\_ Estado \_\_\_\_\_ Código postal \_\_\_\_\_

Teléfono de línea \_\_\_\_\_ Teléfono celular \_\_\_\_\_

Correo electrónico \_\_\_\_\_

Fecha de compra \_\_\_\_\_

Nombre del modelo \_\_\_\_\_

Número de serie \_\_\_\_\_

Nombre del distribuidor \_\_\_\_\_

Dirección del distribuidor \_\_\_\_\_

1. ¿Cómo se enteró por primera vez de este producto Jacuzzi®?
  - Anuncio publicitario  Artículo en revista/periódico  Visitó al distribuidor/proveedor de instalaciones sanitarias  Páginas amarillas  Constructor/fontanero/remodelador  Decorador/arquitecto  Visitó tienda minorista/de artículos para el hogar  Referido por otros... Amigo/Familiar/Conocido  Otro (Describa) \_\_\_\_\_
2. ¿Quién fue el primero en darle información específica sobre este producto (especificaciones, precios, etc.)?
  - Distribuidor/proveedor de instalaciones sanitarias  Constructor  Remodelador  Contratista de fontanería  Tienda minorista/de artículos para el hogar  Decorador/arquitecto  Ya estaba instalado
3. ¿Cuál fue el principal motivo para la compra?
  - Estilo  Servicio de garantía  Características del producto  Marca  Precio  Hidroterapia  Reventa del hogar  Otro \_\_\_\_\_
4. ¿Quién tomó la decisión final de qué producto comprar?
  - Usted mismo  Cónyuge  Usted y su cónyuge  Otro miembro de la familia  Diseñador/arquitecto  Constructor/fontanero/remodelador  Ya estaba instalado
5. ¿Quién lo instaló?  Ya estaba instalado/casa nueva  Contratista/plomero durante la remodelación  Usted/cónyuge durante la remodelación  Otros \_\_\_\_\_
6. ¿Cuál es el valor de mercado actual de esta propiedad? Estime en \$ \_\_\_\_\_
7. ¿Qué edad tiene el jefe de familia? Años \_\_\_\_\_
8. ¿Qué otros fabricantes tuvieron en cuenta?
  - Eljer  Aquatic Bath  Price Pfister  Aqua Glass  Kohler  American Standard  Sterling  Otro (especifique) \_\_\_\_\_
9. ¿Cuánto tiempo estuvo buscando antes de comprar la unidad?
 

<input type="checkbox"/> 1 día	<input type="checkbox"/> 2 a 6 meses	<input type="checkbox"/> 2 a 7 días	<input type="checkbox"/> 6 meses a 1 año
<input type="checkbox"/> 1 a 2 semanas	<input type="checkbox"/> 1 a 2 años	<input type="checkbox"/> 2 a 4 semanas	<input type="checkbox"/> más de 2 años
<input type="checkbox"/> 1 a 2 meses			
10. Aproximadamente, ¿cuánto tiempo lleva viviendo en esta casa? \_\_\_\_\_
11. Indique, aproximadamente, el ingreso anual total de su grupo familiar.
  - Hasta \$24.999  de \$50.000 a \$74.999
  - De \$25.000 a \$29.999  de \$75.000 a \$99.999
  - De \$30.000 a \$39.999  de \$100.000 a \$149.999
  - De \$40.000 a \$49.999  más de \$150.000
12. ¿Cómo fue el proceso de compra?
  - Muy fácil  Fácil  Difícil  Muy difícil
13. Desde el punto de vista técnico, ¿cuánto conocía usted sobre el sistema de chorros Jacuzzi® patentado antes de realizar la compra?
  - No conocía nada  Conocía algo  Conocía mucho

Garantía limitada  
 de noventa días,  
 sólo de partes, para  
 Accesorio(s)



## MANUEL D'INSTALLATION ET RENSEIGNEMENTS DE GARANTIE

**Jacuzzi Luxury Bath**  
14525 Avenue Monte Vista  
Chino, CA 91710 États-Unis  
1-800-288-4002  
[www.jacuzzi.com](http://www.jacuzzi.com)

## Table des matières

Renseignements sur le produit.....	2
Directives importantes de sécurité.....	3-4
Inspection et essai.....	4
Cadrage et soutien.....	5-6
Connexions électriques.....	6
Matériel spécifique FuzionMD.....	7-8
Fonctionnement de la chromothérapie.....	9
Procédures d'installation.....	9-12
Installation du panneau de la jupe (certains modèles à jupe uniquement).....	13
Nettoyage après installation.....	13
Nettoyage général.....	13
Entretien général.....	14
Service autorisé.....	14
Garantie limitée.....	15-16
Carte d'enregistrement de garantie.....	17-18

*\*For Spanish and French installation instructions, please visit [www.jacuzzi.com/baths/support/owners-manuals/](http://www.jacuzzi.com/baths/support/owners-manuals/).*

*\*Para instrucciones de instalación en español, por favor visite [www.jacuzzi.com/baths/support/owners-manuals/](http://www.jacuzzi.com/baths/support/owners-manuals/).*

*\*Pour les directives d'installation en français canadien, veuillez visiter [www.jacuzzi.com/baths/support/owners-manuals/](http://www.jacuzzi.com/baths/support/owners-manuals/).*

### Renseignements sur le produit

Conservez ces consignes pour utilisation ultérieure. Utilisez le formulaire ci-dessous pour noter votre modèle et numéro de série pour consultation future.

Date d'achat \_\_\_\_\_

Acheté chez \_\_\_\_\_

Installé par \_\_\_\_\_

Numéro de série \_\_\_\_\_

Modèle \_\_\_\_\_

**Installateur** : laissez le manuel au propriétaire.

**Propriétaire** : lisez ce manuel et gardez-le pour consultation future.



## Directives importantes de sécurité

Il s'agit d'un produit de qualité professionnelle. Des connaissances pratiques relatives aux techniques de construction, de plomberie et d'installation électrique conformes aux codes sont requises pour effectuer une installation adéquate à la satisfaction de l'utilisateur. Nous vous recommandons d'obtenir les services d'un entrepreneur agréé pour effectuer l'installation des produits Jacuzzi MD. Notre garantie ne couvre pas les problèmes causés par une mauvaise installation.

LISEZ ET SUIVEZ TOUTES LES CONSIGNES. CONSERVEZ CES CONSIGNES. Utilisez uniquement cette unité aux fins prévues, décrites dans le présent manuel. N'utilisez aucun accessoire non recommandé par le fabricant. Ne déposez ni n'insérez jamais aucun objet dans les ouvertures.

**⚠ DANGER : RISQUE DE BLESSURE ACCIDENTELLE OU DE NOYADE!** Ne laissez pas les enfants utiliser cette unité à moins de les surveiller de près en permanence. N'utilisez pas la baignoire à hydromassage sans que tous les gardes d'aspiration soient installés pour prévenir les accidents dus à la prise de cheveux ou de membres.

**⚠ DANGER : RISQUE DE BLESSURE GRAVE CAUSÉE PAR UNE DÉCHARGE ÉLECTRIQUE OU DE DÉCÈS PAR ÉLECTROCUTION!**

Cette unité doit exclusivement être raccordée à un circuit d'alimentation protégé par un disjoncteur de fuite à la terre (GFCI) de 15 ampères. Un tel disjoncteur doit être fourni par l'installateur et doit être vérifié sur une base régulière. Suivez les instructions du fabricant pour tester le GFCI. Le disjoncteur devrait interrompre le courant. Appuyez sur le bouton de réinitialisation. Le courant devrait être rétabli. Si le disjoncteur ne fonctionne pas de cette façon, il est défectueux. Si le disjoncteur de fuite à la terre interrompt le courant vers la baignoire sans que l'on appuie sur le bouton d'essai, il y a un courant à la terre qui circule, indiquant la possibilité d'une décharge électrique. N'utilisez pas cette baignoire d'hydromassage. Débranchez la baignoire d'hydromassage et faites rectifier le problème par un technicien qualifié avant de l'utiliser à nouveau.

**⚠ DANGER : RISQUE DE DÉCHARGE ÉLECTRIQUE!** Ne permettez pas les appareils électriques (comme les sèche-cheveux, les lampes, les téléphones, les radios ou les téléviseurs) à une distance de moins de 1 524 mm (60 po) de cette baignoire d'hydromassage. À raccorder exclusivement à un circuit protégé par un disjoncteur de fuite à la terre (GFCI). Pour les unités raccordées en permanence, une borne verte ou un serre-fils portant la mention « G », « GR », « GROUND » ou « GROUNDING » est fourni(e) dans le compartiment des bornes. Pour réduire le risque de décharge électrique, raccordez la borne ou le serre-fils à la borne de mise à la terre de votre service électrique ou pupitre d'alimentation avec un conducteur de taille équivalente aux conducteurs du circuit alimentant l'équipement.

**⚠ AVERTISSEMENT : UNE IMMERSION PROLONGÉE DANS DE L'EAU CHAUDE PEUT ENTRAÎNER L'HYPERTHERMIE!** L'hyperthermie survient lorsque la température interne du corps dépasse de plusieurs degrés sa température normale, qui est de 37 °C (98,6 °F). Les symptômes de l'hyperthermie comprennent une augmentation de la température interne du corps, des étourdissements, la léthargie, la somnolence et l'évanouissement. Une eau dont la température est supérieure à 40 °C (104 °F) peut nuire à votre santé. Vérifiez et ajustez la température de l'eau avant l'utilisation. Les effets de l'hyperthermie comprennent :

- A. incapacité à percevoir la chaleur;
- B. ne pas reconnaître la nécessité de sortir de la baignoire;
- C. ignorance des dangers imminents;
- D. dommages au fœtus pour les femmes enceintes;
- E. incapacité physique de sortir de la baignoire;
- F. évanouissement entraînant le danger de noyade.

**⚠ DANGER!** Cet équipement est exclusivement prévu pour une utilisation à l'intérieur. Installez l'équipement conformément aux présentes consignes. Utilisez des câbles d'alimentation résistant à une température de 75 °C (167 °F). Cela vaut aussi pour la température nominale des conducteurs d'alimentation. Cette unité doit être mise à la terre électriquement et installée par un entrepreneur, un électricien et un plombier agréés. Les matériaux de construction et le câblage doivent être acheminés loin du bloc pompe/moteur ou du ventilateur ou des autres composants de cette unité produisant de la chaleur. Un connecteur de fil à pression est fourni à l'extérieur du bloc pompe/moteur et de l'appareil de chauffage pour permettre la connexion d'un conducteur de mise à la masse en cuivre massif n° 8 AWG entre cette unité et tout autre équipement électrique et métal exposé dans les environs, au besoin pour se conformer aux exigences locales.

**⚠ DANGER! RISQUE DE BLESSURES GRAVES OU DE MORT!** Risque de préjudice corporel au fœtus. Les femmes enceintes ou possiblement enceintes doivent consulter un médecin avant d'utiliser une baignoire d'hydromassage munie d'un appareil de chauffage.

**⚠ DANGER! RISQUE DE BLESSURE GRAVE OU DE NOYADE!** Gardez les cheveux et le corps à une distance d'au moins 152 mm (6 po) du raccord d'aspiration en tout temps lorsque le système à hydromassage fonctionne. Les cheveux longs (au-delà des épaules) doivent être attachés près de la tête.

**⚠ ATTENTION!** N'immergez pas le panneau de commande en remplissant la baignoire de façon excessive.

## Directives importantes de sécurité (suite)

**⚠ AVERTISSEMENT! RISQUE DE BLESSURE GRAVE!** Pour éviter les blessures, faites attention lorsque vous entrez ou sortez de la baignoire d'hydromassage.

**⚠ ATTENTION!** Ne pas consommer de drogue ni d'alcool avant ou pendant l'utilisation d'une baignoire d'hydromassage équipée d'un élément chauffant. Il est conseillé aux personnes qui suivent un traitement médicamenteux ou ont des antécédents médicaux néfastes de consulter un médecin avant d'utiliser une baignoire d'hydromassage équipée d'un appareil de chauffage. Risque de noyade.

**⚠ AVERTISSEMENT! RISQUE DE BLESSURES GRAVES OU DE MORT!** N'utilisez pas de baignoire d'hydromassage équipée d'un appareil de chauffage immédiatement après un effort physique intense.

**⚠ ATTENTION! POUR DIMINUER LE RISQUE D'ENDOMMAGER LE PRODUIT.** Utilisez uniquement cette unité aux fins prévues, décrites dans le présent manuel. N'utilisez aucun accessoire non recommandé par les fabricants. Ne tentez pas de modifier les commandes actionnées par l'utilisateur ou les dispositifs similaires.

### CONSERVEZ CES CONSIGNES.

Jacuzzi Luxury Bath (« l'entreprise ») a obtenu les classifications de code (normes) applicables habituellement offertes à l'échelle nationale pour les produits de ce type. L'installateur/le propriétaire doivent déterminer la conformité au code local précis avant d'installer le produit. L'entreprise n'effectue aucune déclaration ou garantie relative à la conformité au code et elle ne sera pas responsable de cette dernière. Les caractéristiques techniques du produit peuvent être modifiées sans préavis.

## Inspection et essai

### Inspection visuelle

1. Retirez la baignoire de la boîte d'expédition. Faites attention à ne pas égratigner la surface de la baignoire sur les agrafes exposées. Retirez les agrafes ou pliez-les sur la boîte. Conservez la boîte jusqu'à ce que vous ayez effectué une inspection satisfaisante du produit. Ne soulevez jamais la baignoire par la plomberie; manipulez-la par la coquille seulement.
2. Examinez la coquille et les composants de la baignoire. Si l'inspection révèle des dommages ou des défauts dans le fini ou des dommages visibles à l'un ou l'autre des composants, n'installez pas la baignoire. Les dommages ou les défauts au fini réclamés après l'installation de la baignoire sont exclus de la garantie. La responsabilité de Jacuzzi Luxury Bath quant aux dommages causés par l'expédition prend fin au moment de la livraison au transporteur de produits en bon état.
3. Communiquez avec le transporteur pour toute réclamation pour des dommages. Pour obtenir des détails sur la couverture et les limites de la garantie, reportez-vous aux renseignements sur la garantie publiés et emballés avec le produit ou à ceux qui se trouvent à la fin de ce manuel.

### Essai d'eau et de fonctionnement de la baignoire

Toutes les baignoires sont testées en usine avant d'être expédiées pour assurer leur fonctionnement adéquat et l'étanchéité des connexions. Cependant, l'unité doit être testée à nouveau par l'installateur avant l'installation. Jacuzzi Luxury Bath n'est pas responsable des défauts qui auraient pu être découverts, réparés ou évités en effectuant cette inspection et procédure d'essai :

1. Placez la baignoire sur une surface de niveau près d'une alimentation électrique appropriée, d'une alimentation en eau et d'une évacuation d'eau. Une voie d'accès pour autos est un bon endroit.
2. Recouvrez le trou d'évacuation et de trop-plein avec du ruban ou un bouchon et remplissez la baignoire jusqu'à la partie inférieure du trou de trop-plein.
3. Laissez la baignoire reposer pendant 5 minutes.
4. Branchez le bloc pompe/moteur et mettez l'unité en marche. Vérifiez que toutes les fonctionnalités fonctionnent de la manière décrite dans le manuel d'utilisation. N'installez pas la baignoire si elle ne fonctionne pas correctement.
5. Examinez tous les joints pour vous assurer qu'ils ne fuient pas. N'installez pas la baignoire si vous découvrez des fuites.
6. Remettez la baignoire dans la boîte ou protégez-la des dommages jusqu'au moment de l'installation.

## Cadrage et soutien

**LISEZ L'ENSEMBLE DES INSTRUCTIONS. UNE INSTALLATION INADÉQUATE ANNULERA LA GARANTIE.**

La structure du plancher sous la baignoire doit être capable de soutenir le poids total de la baignoire, de l'eau et du baigneur. Consultez un ingénieur de structure.

### **IMPORTANT!**

Assurez-vous que les murs et les sols respectent les exigences en matière de protection contre les incendies des codes locaux de construction et/ou les normes minimales relatives à la propriété de la FHA/HUD.

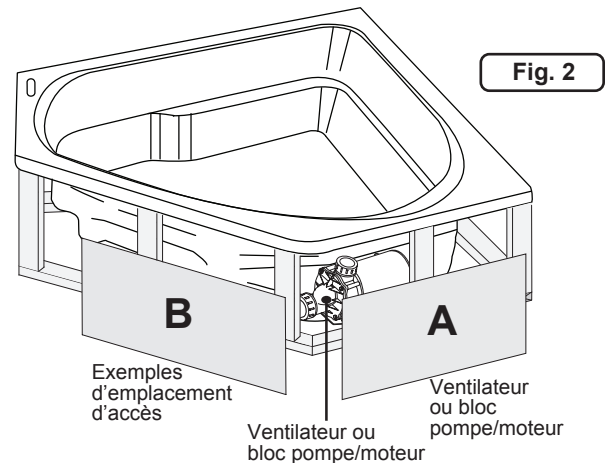
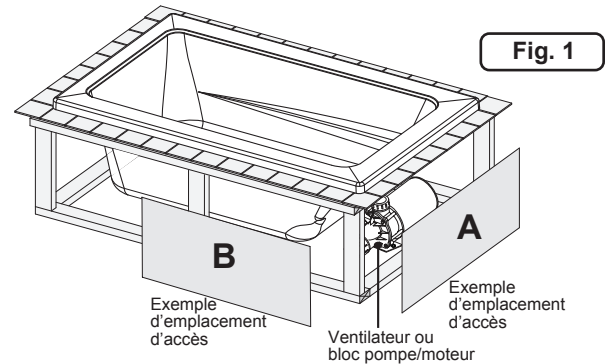
Respectez tous les codes et les ordonnances principaux.

1. Il est de votre responsabilité d'installer la baignoire correctement. Faites appel à un technicien qualifié pour installer la baignoire.
2. L'installation avec un disjoncteur de fuite à la terre (GFCI) est requise.
3. Il relève de la responsabilité du client :
  - de contacter un installateur électrique qualifié;
  - de s'assurer que l'installation électrique est adéquate et conforme au Code de réglementation électrique (NEC).

Vous trouverez les spécifications techniques sur [www.jacuzzi.com/baths/support/](http://www.jacuzzi.com/baths/support/).

Encadrez l'espace où sera installée la baignoire. Considérez les éléments suivants lors de la préparation de la zone :

- Les dimensions fournies sur les diagrammes de disposition des tuyaux sont nominales. Mesurez votre unité dès sa réception et effectuez le cadre en fonction des dimensions réelles.
- Afin d'installer correctement l'unité, l'alcôve finie doit avoir les dimensions intérieures correctes, comme représenté dans la section concernant les dimensions principales sur la Fiche de spécifications techniques.
- Pour l'installation des alcôves à trois murs, utilisez une baignoire avec bride de carrelage à trois côtés moulée intégrale. Pour utiliser la bride de carrelage facultative, reportez-vous aux instructions fournies avec la trousse.
- Pour la rénovation, si nécessaire, ajoutez des montants sur chaque extrémité afin de fournir une surface de clouage verticale pour les brides de clouage latérales du produit d'accessoire de baignoire.
- Pour éviter les obstructions pendant l'installation, assurez-vous que les conduites d'alimentation, le tuyau du bec et la plomberie des soupapes n'émettent pas de projection dans l'alcôve.
- Les baignoires nécessitent une trémie de 150 mm x 305 mm (6 po x 12 po) pour la trousse d'évacuation des eaux usées par le trop-plein (DWO) de 38 mm (1 ½ po).
- Assurez-vous que l'emplacement de la trémie est adapté à l'emplacement du drain de l'accessoire de baignoire.
- L'utilisation de moulage en plâtre/plâtre de Paris (matériau de fondation) est recommandée dans toutes les structures commerciales (c'est-à-dire : hôtels, motels, dortoirs, centres de culture physique, etc.).
- L'unité doit être soutenue par le dessous de la baignoire et non par le rebord de la baignoire.
- Selon le code CUP, l'accès doit être fourni vers le bloc pompe/moteur pour votre modèle spécifique (Figure 1 et Figure 2).
- Prévoyez une ventilation adéquate pour le refroidissement et fournissez suffisamment d'air pour le bloc pompe/moteur. N'isolez pas autour de l'équipement.
- L'installateur, l'entrepreneur ou le propriétaire doivent fournir un accès pour le service. Jacuzzi n'est pas responsable des frais encourus pour obtenir l'accès en cas de réparation. Le propriétaire sera responsable de tels frais et, le cas échéant, doit alors demander un recouvrement à l'installateur.



**A** = accès principal (requis)  
**B** = accès secondaire pour l'équipement (en option)  
 Les illustrations ci-dessous sont représentées cadrage exposé pour plus de clarté.  
**IMPORTANT** : l'accès à une unité gauche se trouve du côté opposé (miroir)

## Cadrage et soutien (Suite)

### Sous-plancher

Préparez le sous-plancher pour l'évacuation et assurez-vous que la zone est de niveau.

1. L'évacuation/le trop-plein de la baignoire se prolonge sous le fond de la baignoire. Vous trouverez les spécifications techniques sur [www.jacuzzi.com/baths/support/](http://www.jacuzzi.com/baths/support/).
2. Effectuez les coupes appropriées dans le sous-plancher pour accommoder l'évacuation.
3. La base Tru-Level MC de Jacuzzi est une caractéristique standard sur toutes les baignoires. Si le sous-plancher est une surface continue de niveau, aucune autre préparation n'est requise. Passez à la section « Connexions électriques ».
4. Si le sous-plancher n'est pas au niveau, vous devez niveler la surface au complet avant d'installer la baignoire. Les matériaux utilisés permettront de vous assurer que la baignoire est soutenue par le fond. Ces matériaux sont : composé de nivellement, mortier, plâtre ou mousse structurale à expansion minimale (avec une densité d'au moins 5 lb/pi<sup>3</sup> [80 kg/m<sup>3</sup>]). La baignoire doit demeurer de niveau afin qu'elle s'évacue correctement et elle doit être en contact avec le matériau de nivellement. Les deux côtés d'un joint ou d'une épissure d'un sous-plancher doivent être au même niveau.

### Connexions électriques

**⚠ DANGER : RISQUE DE DÉCHARGE ÉLECTRIQUE!** Reliez seulement à un circuit protégé par un disjoncteur de fuite de terre (Figure 3).

**⚠ ATTENTION!** La prise électrique doit être installée à une distance de 101 mm (4 po) du sol et au maximum 305 mm (12 po) à l'intérieur par rapport au bord de la baignoire (Figure 3), ou conformément aux codes locaux de construction et d'électricité.

**⚠ ATTENTION!** Risque de surchauffe des composants. N'utilisez pas une rallonge électrique pour alimenter cette unité. Le fonctionnement de la pompe sans une quantité suffisante d'eau dans la baignoire peut causer des dommages permanents au bloc pompe/moteur.

Si le disjoncteur de fuite de terre indique un mauvais fonctionnement, conformément aux directives du fabricant, coupez le courant et n'essayez pas d'utiliser la baignoire avant que la source du problème n'ait été identifiée et corrigée.

**REMARQUES :** des précautions de base doivent toujours être prises lorsque vous utilisez des appareils électriques. Respectez toujours les codes locaux d'électricité et de construction. La mise à la terre est requise. L'unité doit être installée et mise à la terre par un électricien qualifié.

**MODÈLES CANADIENS UNIQUEMENT :** les composants doivent être branchés en interne dans les boîtes de connexion (fournies) situées sur l'unité.

**Vous trouverez les spécifications techniques sur [www.jacuzzi.com/baths/support/](http://www.jacuzzi.com/baths/support/).**

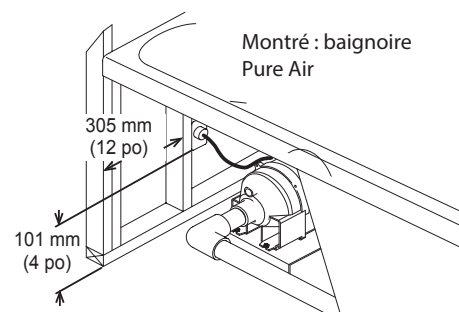
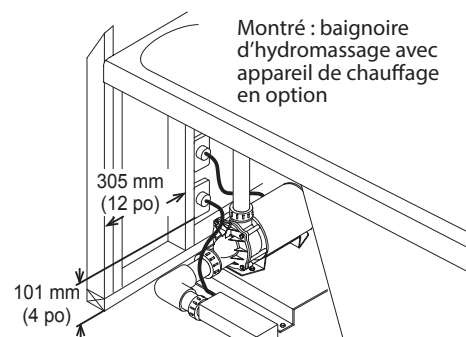


Fig. 3



## Matériel spécifique Fuzion<sup>MD</sup>

Les caractéristiques supplémentaires de conception de Fuzion<sup>MD</sup> exigent que les étapes suivantes soient terminées avant l'installation de la baignoire dans la périphérie construite. Les étapes suivantes doivent aussi être terminées dans l'ordre précisé :

1. Installation du robinet Fuzion<sup>MD</sup>
2. Installation de l'évacuation/du trop-plein Fuzion<sup>MD</sup>
3. Installation du cadre en bois Fuzion<sup>MD</sup>
4. Installation du panneau de commande Fuzion<sup>MD</sup>

### Installation du robinet Fuzion<sup>MD</sup>



Sélection d'un robinet pour montage sur le rebord : l'épaisseur combinée du rebord de la coquille de la baignoire et du support en bois est de 50 mm (2 po). La longueur de la (des) pièce(s) de raccordement du robinet doit être suffisante pour se prolonger au-delà de cette dimension et avoir assez d'espace pour assembler la quincaillerie (comme les écrous de blocage, les raccords d'alimentation en eau, etc.) nécessaire pour l'installation. Pour les unités montées en dessous, l'épaisseur combinée de la coquille de la baignoire est de 1,2 cm (½ po) et le support de montage en dessous ne doit pas dépasser la longueur de la (des) pièce(s) de raccordement du robinet, y compris la quincaillerie d'assemblage.

### Installation de l'évacuation/du trop-plein Fuzion<sup>MD</sup>



Assemblez conformément aux codes locaux de plomberie et de construction.

1. Identifiez la trousse d'évacuation du trop-plein fournie avec votre baignoire. Retirez et ouvrez le paquet de l'évacuation et confirmez qu'il ne manque pas de pièces.
2. Retirez les rondelles et les écrous du raccord de trop-plein.
3. Placez un petit boudin de mastic de plombier, de silicone ou d'agent d'étanchéité similaire approuvé autour de la partie inférieure de la bride supérieure du raccord de trop-plein.
4. Placez le raccord de trop-plein dans le trou de trop-plein de la baignoire (figure 4).
5. Sous l'unité, placez la rondelle en caoutchouc, puis l'écrou de blocage sur le raccord de trop-plein, puis serrez fermement. Prenez soin de ne pas trop serrer.
6. Assemblez le reste des pièces de l'évacuation comme dans l'illustration.
7. Une fois l'évacuation complètement installée, vérifiez que l'eau s'évacue correctement. Si l'unité ne s'évacue pas correctement, rectifiez le problème avant de continuer l'installation de la baignoire.



L'installateur est responsable de l'étanchéité de l'installation de l'évacuation et du trop-plein. Toute fuite de l'évacuation est exclue de la garantie Jacuzzi Luxury Bath de ce produit.



EN OPTION – si le cadre Fuzion<sup>MD</sup> n'est pas utilisé, veuillez passer à l'étape 2 dans la section Installation en dessous en page 11.

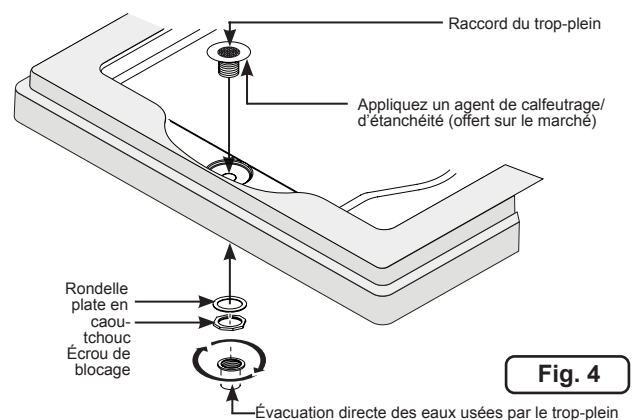
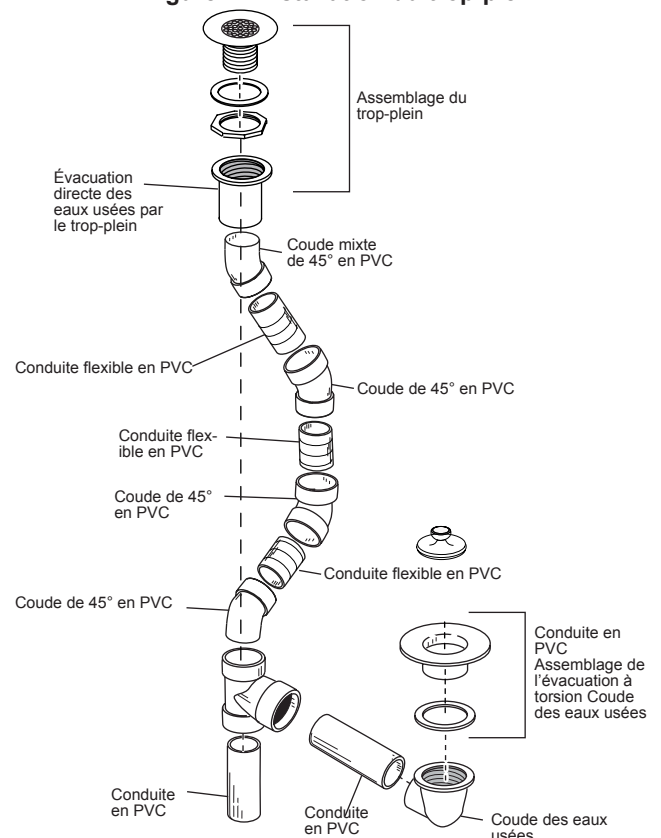


Fig. 4

Figure 4 - installation du trop-plein

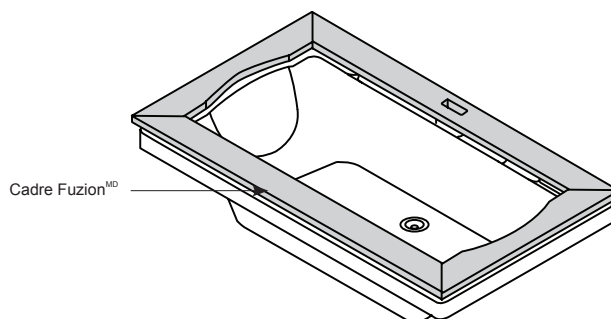


## Matériel spécifique FuzionMD (Suite)

### Installation du cadre Fuzion<sup>MD</sup>



Si vous installez une baignoire Fuzion<sup>MD</sup> avec un cadre accessoire, veuillez vous reporter au guide d'installation du cadre Fuzion<sup>MD</sup> (n° GL44000) avant de continuer. Terminez l'installation et les étapes d'assemblage conformément au guide d'installation du cadre Fuzion<sup>MD</sup>.



### Installation du panneau de commande Fuzion<sup>MD</sup>



Les formes découpées suivantes doivent être propres et libres de toute saleté et de tout adhésif :

- forme découpée du panneau de commande dans le cadre en bois assemblé;
- forme découpée du panneau de commande dans le comptoir assemblé;
- forme découpée du panneau de commande dans la baignoire.

1. Insérez le connecteur de fil à l'arrière du panneau de commande (Figure 5).
2. Appliquez une petite quantité d'adhésif autour de la base du panneau de commande (Figure 6).
3. Acheminez le fil dans la forme découpée jusqu'à la boîte de commande.
4. Orientez le panneau de commande de la façon suivante : le logo doit se trouver du côté droit du panneau de commande J4 lorsque vous êtes assis dans la baignoire (le bouton de mise en marche sera du côté droit du panneau de commande ACL J5).
5. Abaissez le panneau de commande dans la forme découpée et appuyez fermement pour incruster l'adhésif (Figure 7).
6. Reliez le fil à la boîte de commande.
7. Veuillez passer à l'étape 3 dans la section Installation par le dessus en page 10.

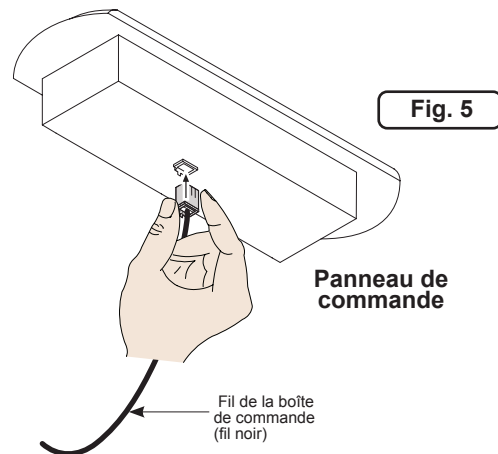


Fig. 5

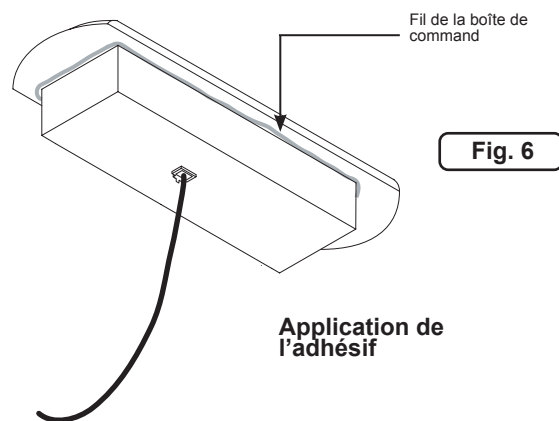


Fig. 6

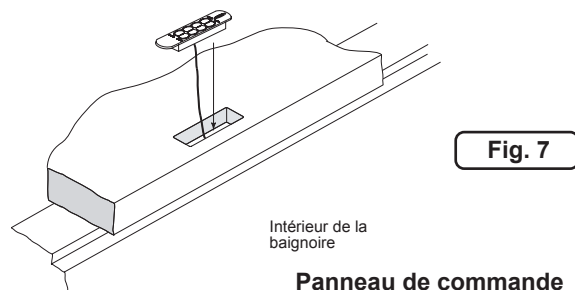
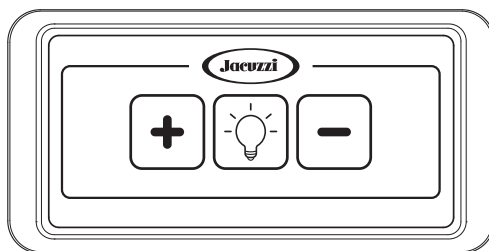


Fig. 7

## Fonctionnement de la chromothérapie



### CHROMOTHÉRAPIE

- Appuyez une fois sur le bouton pour allumer l'éclairage en blanc, niveau 2.
- Appuyez à nouveau sur le bouton pour faire défiler les couleurs.
- Appuyez à nouveau sur le bouton pour arrêter à la couleur actuelle. Appuyez à nouveau sur le bouton pour redémarrer le cycle.



### BOUTON D'AUGMENTATION

- Appuyez sur le bouton pour augmenter l'intensité de l'éclairage.
- Appuyez sur le bouton pour allumer l'éclairage à la dernière couleur utilisée lors de la mise hors tension.

REMARQUE : la couleur d'éclairage par défaut est blanc, niveau 2.



### BOUTON DE RÉDUCTION

- Appuyez sur le bouton pour réduire l'intensité de l'éclairage jusqu'à l'éteindre.

REMARQUE : la couleur d'éclairage par défaut est blanc, niveau 2.

Si la chromothérapie ne fonctionne pas :

- réinitialisez le GFCI;
- assurez-vous que la fiche est entièrement insérée dans la prise;
- assurez-vous que les connecteurs vers le panneau de commande et la boîte de commande sont entièrement engagés dans les prises;
- contactez votre électricien afin de vérifier que le câblage et l'alimentation corrects sont fournis au GFCI;
- contactez Jacuzzi Luxury Bath si les mesures ci-dessus ne permettent pas de résoudre le problème.

## Procédures d'installation (Tous les modèles)



**DANGER : risque de décharge électrique!** Coupez l'alimentation du circuit protégé par un disjoncteur de fuite de terre.



Avant de commencer l'installation, veuillez lire ce qui suit :

- Respectez tous les codes locaux et de construction.
- Déterminez les outils qui seront utilisés pendant l'installation.
- D'autres pièces de plomberie et d'évacuation de la baignoire sont offertes sur le marché dans des quincailleries et des magasins de fourniture de plomberie.

1. Installez l'évacuation/trop-plein conformément aux directives du fabricant. Reportez-vous aussi au manuel de spécifications techniques.



L'installateur est responsable de l'étanchéité de l'installation de l'évacuation. Toute fuite de l'évacuation est exclue de la garantie Jacuzzi Luxury Bath de ce produit.

2. Installez maintenant le robinet (le cas échéant). Nous recommandons de faire installer le robinet par un plombier qualifié. Reportez-vous aux remarques spéciales sur la section sur pieds pour la robinetterie.



L'installateur est responsable de l'installation adéquate du bec de plomberie et de la conformité aux codes locaux. Jacuzzi Luxury Bath ne garantit pas les connexions des conduites et des raccords d'alimentation en eau, les systèmes de remplissage ou les systèmes d'évacuation/de trop-plein. Elle n'est également pas responsable des dommages à la baignoire qui pourraient survenir pendant l'installation.



Une barrière protectrice ininflammable doit être placée entre le travail de soudure et la baignoire pour éviter d'endommager cette dernière.

## Procédures d'installation (Suite)

- Un dégagement suffisant doit être prévu pour accéder aux branchements de service (bloc pompe/moteur, contrôles, plomberie de l'élément chauffant et connexions électriques).
- Matériaux de soutien du fond : les moulages en plâtre/plâtre de Paris (que l'on appelle ici des matériaux de fondation) ne sont pas nécessaires, mais leur utilisation est fortement recommandée pour un support de fond plus solide. Dans un seau, mélangez les matériaux de fondation. Placez un monticule de plâtre sur le sous-plancher à l'emplacement approximatif du centre du fond de la baignoire. Les monticules doivent être assez hauts pour qu'après la pose de la baignoire, le plâtre se déplace et s'étale.

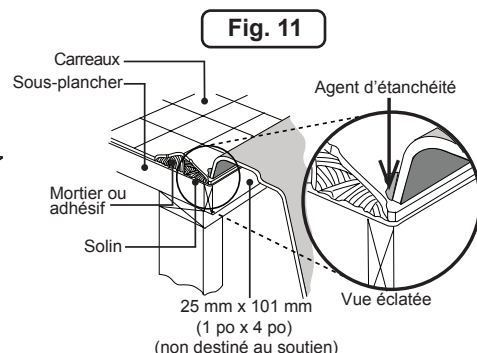
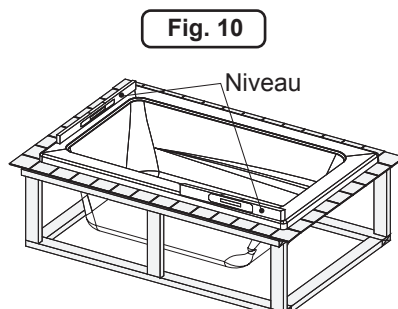
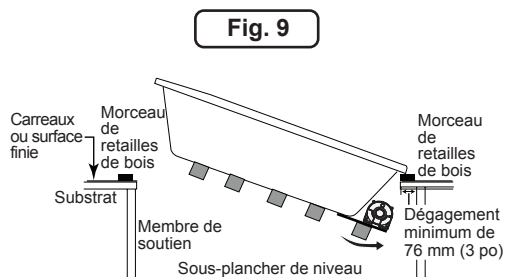
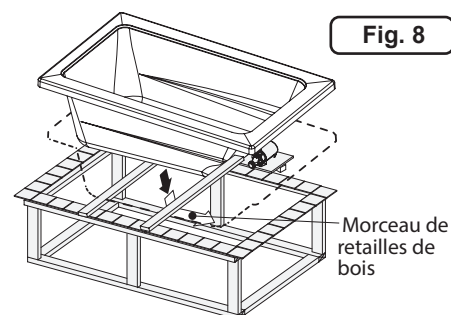
### Installation par le dessus

- Préparez le trou de la baignoire en utilisant le gabarit pleine grandeur fourni ou les dimensions de coupe indiquées dans le manuel de spécifications techniques que vous trouverez sur [www.jacuzzi.com/baths/support](http://www.jacuzzi.com/baths/support).



Le gabarit peut indiquer des guides pour plus d'une baignoire. Assurez-vous alors de sélectionner les lignes de guidage appropriées. Si le montage par en dessous est une option, sélectionnez soigneusement les lignes de guidage qui s'appliquent à l'installation que vous effectuez.

- Terminez tout le travail du support et couvrez-le pour éviter de l'endommager lorsque vous placerez la baignoire.
- Placez un morceau de retailles de bois sur chaque extrémité de la forme découpée – ils serviront de support temporaire avant d'abaisser la baignoire complètement dans l'ouverture (figure 8).
- Installez l'unité. Pour les unités dotées d'un bloc pompe/moteur et/ou d'un ventilateur, insérez d'abord l'extrémité du bloc pompe/moteur, en abaissant la baignoire dans l'ouverture (Figure 9).
- La baignoire doit être droite. Pour le vérifier, utilisez un niveau sur les rebords des deux extrémités de la baignoire et sur le seuil (Figure 10).
- Appliquez l'alimentation au circuit spécialisé protégé par un disjoncteur de fuite de terre et vérifiez le fonctionnement du système.
- Calfeutrez autour du périmètre de la baignoire pour sceller l'espace entre le rebord et le support fini (Figure 11).





## Procédures d'installation (Suite)

### Installation en dessous

1. Inspectez tous les raccords, la plomberie et les conduites de commande après l'insertion pour vous assurer que les composants ne sont pas endommagés ou débranchés.
2. Alignez la baignoire et reliez l'évacuation.
3. Coupez le support selon les dimensions au moyen du gabarit du montage en dessous fourni comme suit :
  - Placez le gabarit de manière à ce que les lignes du montage en dessous désiré soient alignées avec le rebord comme dans l'illustration.
  - Au moyen d'un crayon gras, marquez les lignes centrales (notées par  $\text{C}$  sur le gabarit). Retirez le gabarit.
  - Mesurez la distance du mur ou d'un autre point fixe jusqu'aux lignes centrales (Figure 12).
4. Fixez le comptoir à la baignoire. Nettoyez la saleté ou les débris de la partie supérieure du rebord de la baignoire.
5. Appliquez l'alimentation aux circuits spécialisés protégés par un disjoncteur de fuite de terre et vérifiez le fonctionnement du système.

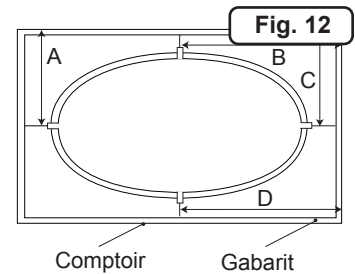


Fig. 12

- ⚠ ATTENTION!** N'utilisez pas un adhésif ou un agent d'étanchéité adhésif pour fixer la baignoire au support. En cas de nécessité, pour l'entretien ou les rénovations, il faudra peut-être enlever le support. De l'adhésif fixerait définitivement la baignoire au support.
6. Appliquez un boudin d'agent d'étanchéité en silicone continu autour de tout le joint entre le comptoir et le rebord de la baignoire. Laissez l'agent d'étanchéité sécher conformément aux directives du fabricant (Figure 13).

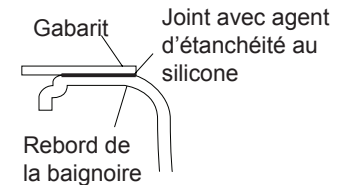


Fig. 13

### Installation dans une alcôve à 3 murs

1. Vérifiez que l'alcôve dans le cadre est de la taille correspondant aux dimensions de Jacuzzi et à l'équerre; vérifiez que le sol est de niveau (Figure 14). La disposition des tuyaux doit être tenue au minimum jusqu'à ce que l'unité soit sur le site des travaux. Les mesures peuvent varier de +0 ou -1/4 po (6,35 mm) par rapport aux spécifications d'origine.
2. Placez la baignoire dans l'alcôve, la jupe avant fermement sur le sol. La baignoire doit être droite. Pour le vérifier, utilisez un niveau sur les rebords des deux extrémités de la baignoire et sur le rebord anti-écoulement (Figure 15).
3. Après avoir mis la baignoire à niveau, marquez chaque montant (mur en béton ou bloc) immédiatement au-dessus de la bride horizontale à l'arrière. Retirez la baignoire de l'alcôve. Mesurez la distance entre le dessus de la bride horizontale à l'arrière et le bas du rebord de la baignoire, environ 40 mm (1 1/2 po). Marquez soigneusement cette dimension sur les montants à l'arrière (ou le mur), sous la première marque (Figure 15 – médaillon).
4. Installez une lambourde: Jacuzzi prévoit l'utilisation de dispositifs de soutien sous les bords à l'arrière des baignoires afin d'éviter qu'elles ne se déplacent. Utilisez une lambourde horizontale sur tout le long du rebord arrière ou des supports en « I », « T » à au moins deux endroits, en position verticale. Clouez une lambourde de 25 mm x 75 mm (1 po x 3 po) immédiatement sous les marques inférieures réalisées sur le cadrage (Figure 15 – médaillon).
5. Lorsque vous installez le cadrage en bois, prépercez les brides avec un foret au carbure de 5 mm (1/8 po) et serrez à l'aide de vis de feuille métallique autotaraudeuses de #8 x 38 mm (1-1/2 po); pour les murs en béton/bloc, utilisez des clous de béton de 25 mm (1 po) avec un outil de clouage ou à coups.impact.

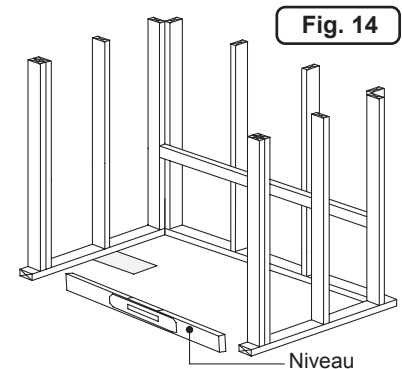


Fig. 14

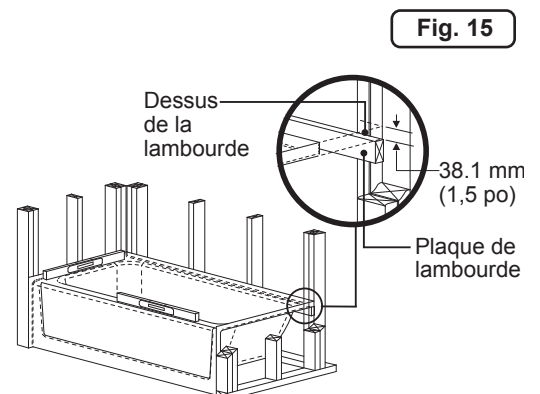


Fig. 15

**REMARQUE :** il est recommandé de prépercer les brides pour éviter de fissurer l'unité en acrylique. Appliquez du silicone sur chaque fixation pour assurer l'étanchéité à l'eau.

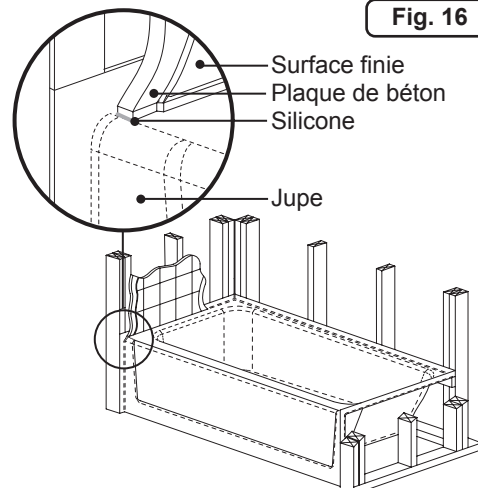
## Procédures d'installation (Suite)

6. Installez ponctuellement les deux coins inférieurs et les deux coins supérieurs de la bride de clouage latérale verticale.
7. Clouez/serrez chaque goujon dans les brides supérieures au niveau de chaque montant à 405 mm (16 po) au centre, en partant des extrémités vers le centre arrière. Terminez l'installation par la bride latérale verticale, environ 205 mm (8 po) au centre.

8. Lorsque des planches d'appui dans un matériau n'étant pas à base de ciment sont utilisées, des fourrures de l'épaisseur des brides de clouage sont recommandées pour une installation sur les goujons au-dessus de l'unité installée afin de s'assurer que les murs seront bien ajustés. Un agent d'étanchéité 100 % silicone avec des propriétés de résistance aux moisissures doit être appliqué entre la planche d'appui et la surface horizontale de l'unité (Figure 16). Les matériaux du mur fini peuvent ensuite être appliqués.

**⚠ AVERTISSEMENT!** La finition des autres éléments doit être effectuée conformément aux codes applicables et aux pratiques de construction généralement acceptées.

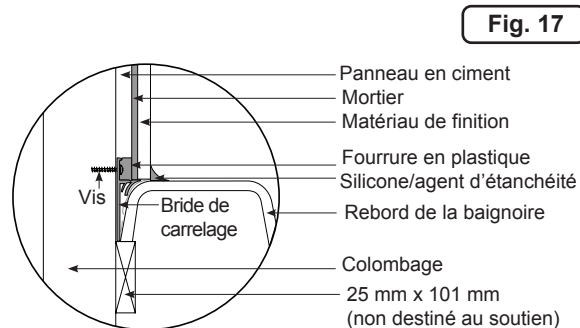
9. Appliquez l'alimentation aux circuits spécialisés protégés par un disjoncteur de fuite de terre et vérifiez le fonctionnement du système.
10. Calfeutrez autour du périmètre de la baignoire pour sceller l'espace entre le rebord et le support fini (Figure 16).



**⚠ ATTENTION!** Appliquez un boudin d'agent d'étanchéité en silicone continu autour de tout le joint entre le comptoir et le rebord de la baignoire. Laissez l'agent d'étanchéité sécher conformément aux directives du fabricant.

### Pour la bride de carrelage en option

1. Installez la bride (achetée séparément) conformément aux directives qui sont comprises avec la trousse. Si la baignoire est munie d'une bride intégrée, reportez-vous à l'installation de l'alcôve à 3 murs en page 11.
2. Placez la baignoire dans l'alcôve. Vissez la bride sur le montant en bois. Il pourra s'avérer nécessaire de compenser l'unité pour combler tout espace entre le montant en bois et la bride (Figure 17).

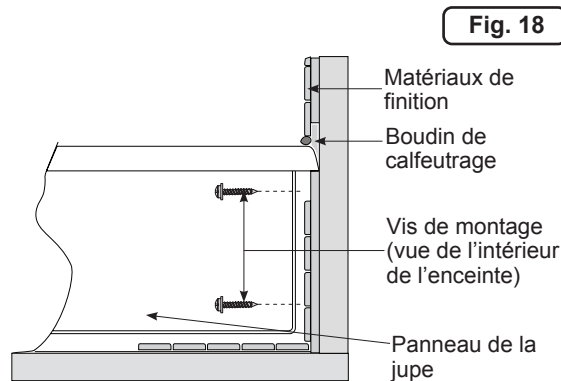


### Baignoires avec jupe en option

1. Vissez les brides de jupe dans les poteaux muraux (Figure 18).

**⚠** Il pourra s'avérer nécessaire de compenser l'unité pour combler tout espace entre les poteaux muraux et les brides.

2. Terminez le travail sur la bride de la jupe.
3. Calfeutrez autour du périmètre de la jupe pour sceller l'espace entre la jupe et le support fini.



## Installation du panneau de la jupe (certains modèles de jupe uniquement)

Cette méthode d'installation de la jupe n'est utilisée que pour une sélection de baignoires. Toutes les autres baignoires de la Collection Comfort sont dotées d'aimants pour fixer les panneaux de la jupe.

### Pour retirer le panneau de la jupe –

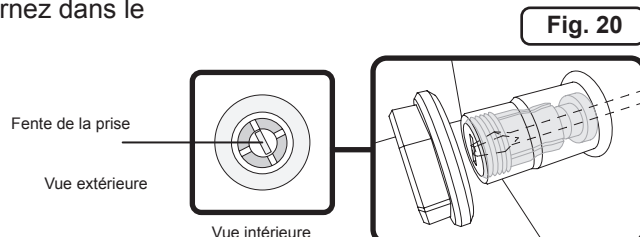
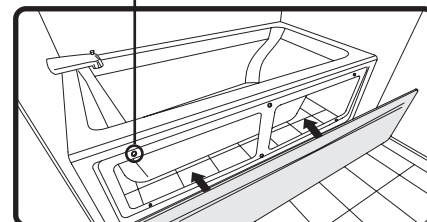
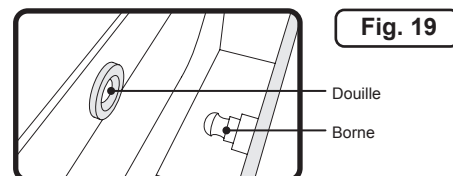
Saisissez un bord du panneau de la jupe et tirez pour le séparer.

### Pour réinstaller le panneau de la jupe (Figure 19) –

Alignez les six bornes du panneau avec les six douilles de la baignoire et enfoncez-les.

### Ajustement du panneau de la jupe (Figure 20) –

Insérez un tournevis standard dans la prise par la fente arrière. Tournez dans le sens horaire pour serrer et dans le sens antihoraire pour desserrer.



## Nettoyage après installation

Pour éviter de dépolir et d'égratigner la surface de la baignoire, n'utilisez jamais des nettoyants abrasifs. Pour la plupart des surfaces sales, un détergent liquide doux et de l'eau tempérée suffisent. Nous effectuons aussi les recommandations suivantes :

- Retirez le plâtre renversé au moyen d'une lame en bois ou en plastique. Les taches laissées par le plâtre ou le coulis peuvent être éliminées en les frottant légèrement avec un détergent liquide versé sur un chiffon ou une éponge humide. N'utilisez pas des grattoirs en métal, des brosses métalliques ou d'autres outils en métal puisqu'ils endommageront la surface de la baignoire.
- La peinture, le goudron et les autres taches rebelles peuvent être éliminées avec du FantastikMD ou de l'eau savonneuse.
- Les égratignures mineures qui ne pénètrent pas le fini en couleur peuvent être éliminées en ponçant légèrement avec un papier de verre mouillé/sec de 600 grains. Vous pouvez restaurer le fini brillant de la surface acrylique de la baignoire au moyen d'un composé spécial appelé Meguiar's #10 Mirror Glaze. Si ce produit n'est pas disponible, utilisez une pâte à polir automobile suivie de l'application d'une cire automobile en pâte.
- Les égratignures et les rainures majeures qui pénètrent la surface acrylique devront être finies à nouveau. Communiquez avec Jacuzzi Luxury Bath pour trouver un agent de service dans votre région.

## Nettoyage

**⚠ ATTENTION!** N'utilisez pas des additifs pour baignoire à l'huile ou à base d'huile. N'utilisez jamais des nettoyants domestiques abrasifs ou caustiques sur aucun produit Jacuzzi Luxury Bath.

Si vous désirez utiliser un additif pour baignoire, utilisez seulement une petite quantité de poudre moussante; l'action de la baignoire d'hydromassage intensifie les propriétés moussantes des savons.

L'utilisation de certaines huiles, de bains moussants et d'additifs pour baignoire peut augmenter le niveau d'accumulation de résidus de baignoire dans le système de la baignoire d'hydromassage et peut causer une fausse lecture des capteurs du niveau d'eau. Si une accumulation excessive persiste, vous devez cesser d'utiliser ces produits.

Pour éliminer les accumulations de résidus de la baignoire du système d'hydromassage, nous vous recommandons de nettoyer votre baignoire régulièrement. Pour obtenir de meilleurs résultats, toutefois, nous vous recommandons de nettoyer votre baignoire d'hydromassage après chaque utilisation en utilisant Systems CleanMC, notre nettoyant pour plomberie en deux parties exclusif conçu spécialement pour les baignoires d'hydromassage. Systems CleanMC est offert par les distributeurs Jacuzzi Luxury Bath autorisés ou en composant directement le 1-800-288-4002, ou ils peuvent être achetés en ligne à <http://www.jacuzzi.com>.

## Entretien général

Pour nettoyer votre baignoire, utilisez simplement une solution de détergent liquide doux non abrasif. Vous pouvez protéger et restaurer le lustre d'une surface acrylique dépolie en appliquant Meguiar's #10 Mirror Glaze, un produit spécifiquement conçu pour être utilisé sur les finis en acrylique. Si le produit Meguiar n'est pas disponible, utilisez une pâte à polir automobile suivie de l'application d'une cire automobile en pâte.

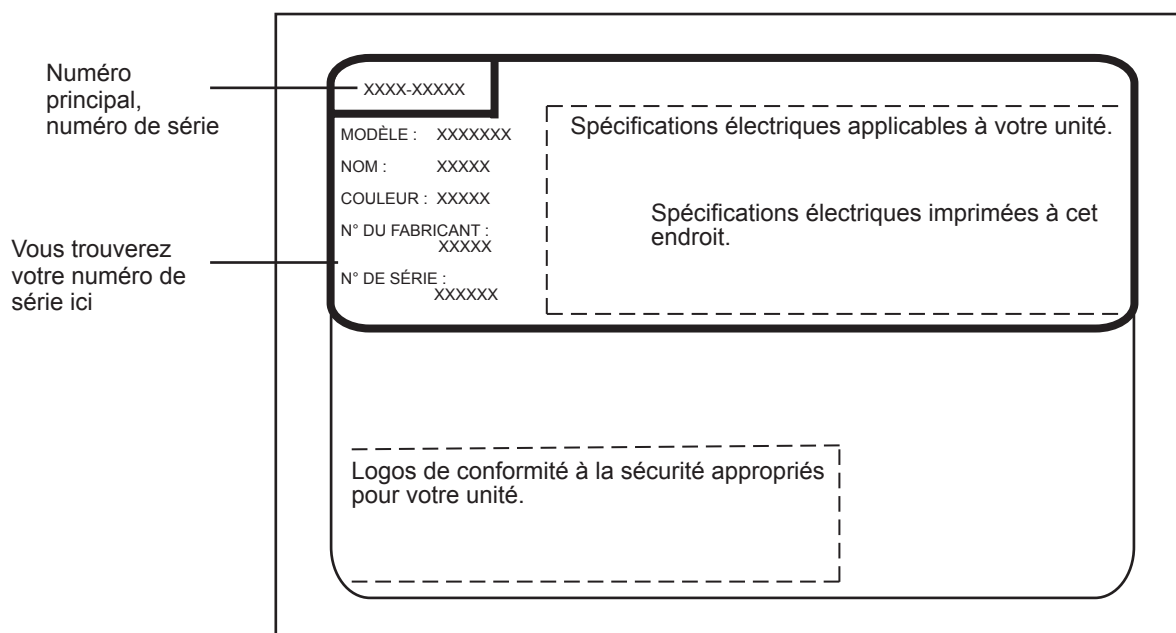
Les égratignures mineures qui ne pénètrent pas le fini en couleur peuvent être éliminées en ponçant légèrement avec un papier de verre mouillé/sec de 600 grains. Restaurez le lustre au moyen de Meguiar's Mirror Glaze ou d'une cire automobile en pâte. Les égratignures et les rainures majeures qui pénètrent la surface acrylique devront être finies à nouveau. Communiquez avec Jacuzzi Luxury Bath pour trouver un agent de service dans votre région.

## Service autorisé

Si vous avez besoin d'une référence pour une entreprise de service près de chez vous ou si vous avez des questions concernant le fonctionnement ou l'entretien, veuillez communiquer avec notre service à la clientèle au 1-800-288-4002. Visitez notre site Web à <http://www.jacuzzi.com> pour les produits, les services et une copie en ligne de ces directives d'installation et d'utilisation.

Lorsque vous demandez une visite de service ou de l'aide technique, ayez le modèle et le numéro de série de votre unité à la portée de la main. Ces renseignements se trouvent sur la fiche d'enregistrement du produit fournie avec votre unité. Si la fiche a été égarée, ces renseignements se trouvent sur l'étiquette de spécifications/numéro de série située sur l'unité elle-même. Cette étiquette se trouve sur le mur de la baignoire près du bloc pompe/moteur.

### ÉTIQUETTE DE SPÉCIFICATIONS/NUMÉRO DE SÉRIE



LES SPÉCIFICATIONS DU PRODUIT PEUVENT ÊTRE MODIFIÉES SANS PRÉAVIS. UTILISEZ LE MANUEL DE SPÉCIFICATIONS TECHNIQUES FOURNI AVEC CE PRODUIT.

Jacuzzi Luxury Bath a obtenu les classifications de code (normes) applicables habituellement accessibles sur [www.jacuzzi.com/baths/support](http://www.jacuzzi.com/baths/support). L'installateur/le propriétaire doivent déterminer la conformité au code local précis avant d'installer le produit. Jacuzzi Luxury Bath n'effectue aucune représentation ou garantie relatives à la conformité au code et elle ne sera pas responsable de cette dernière.

Jacuzzi Luxury Bath  
14525 Avenue Monte Vista  
Chino, Californie, 91710  
États-Unis  
1-800-288-4002  
[www.jacuzzi.com](http://www.jacuzzi.com)