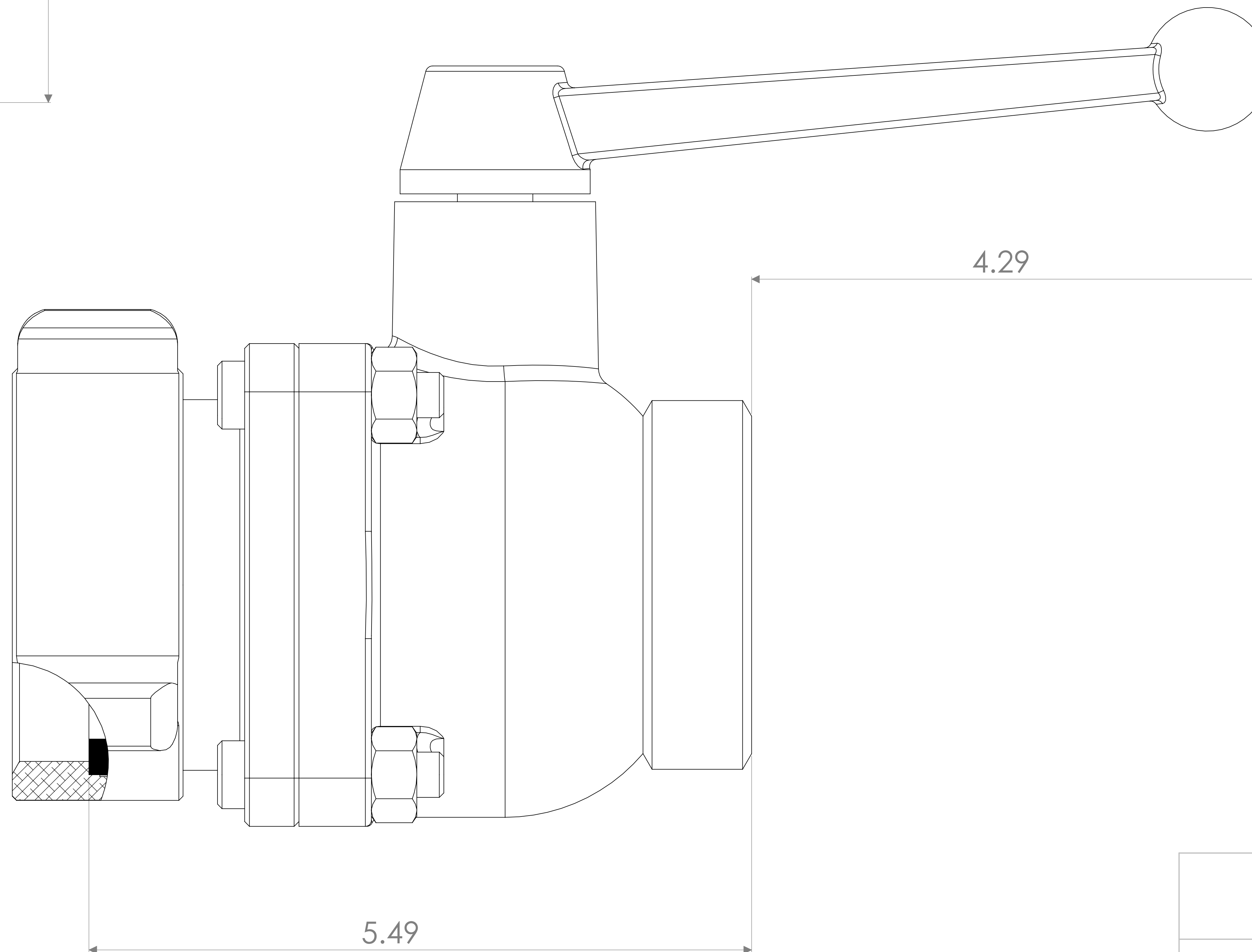
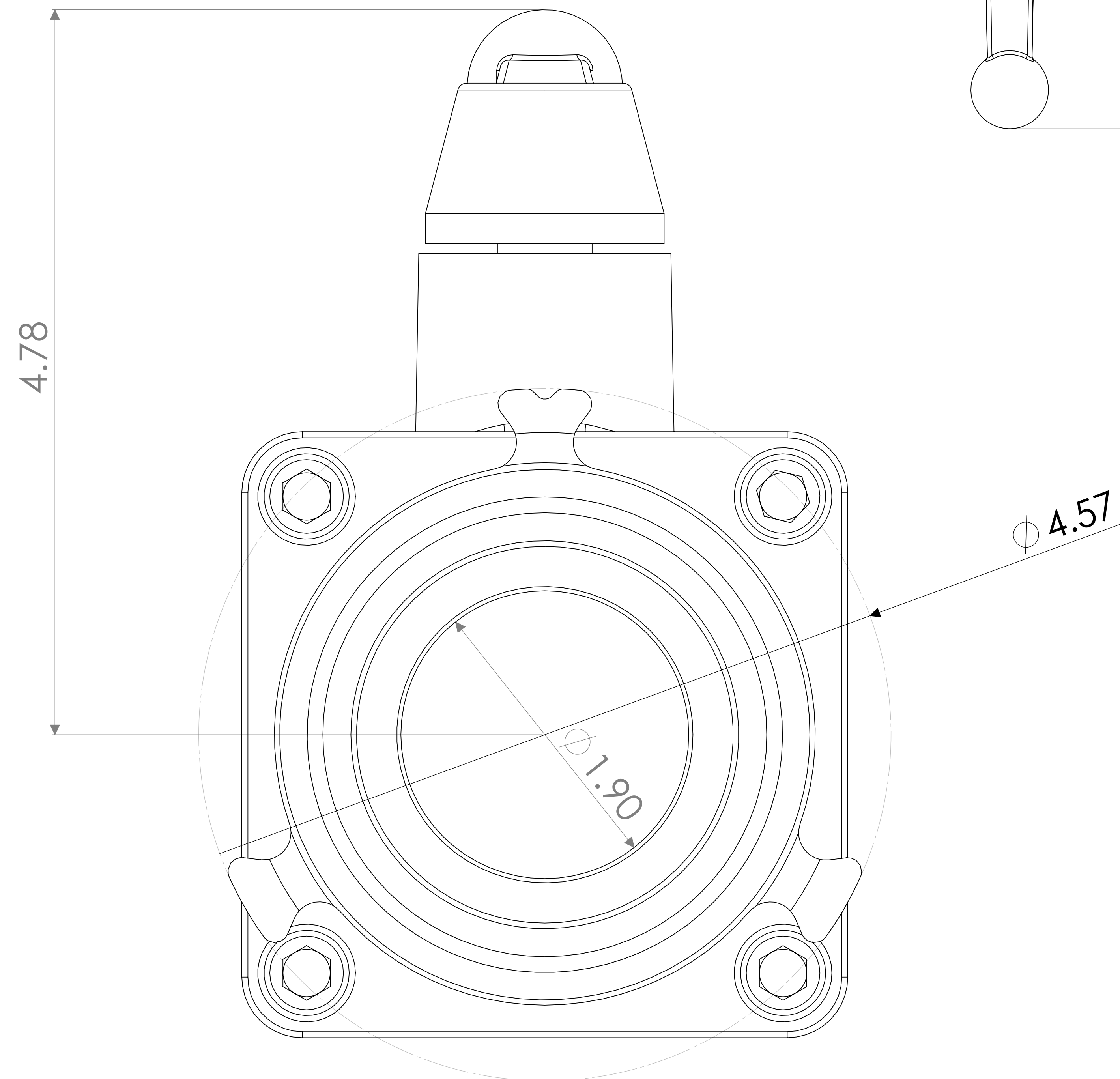
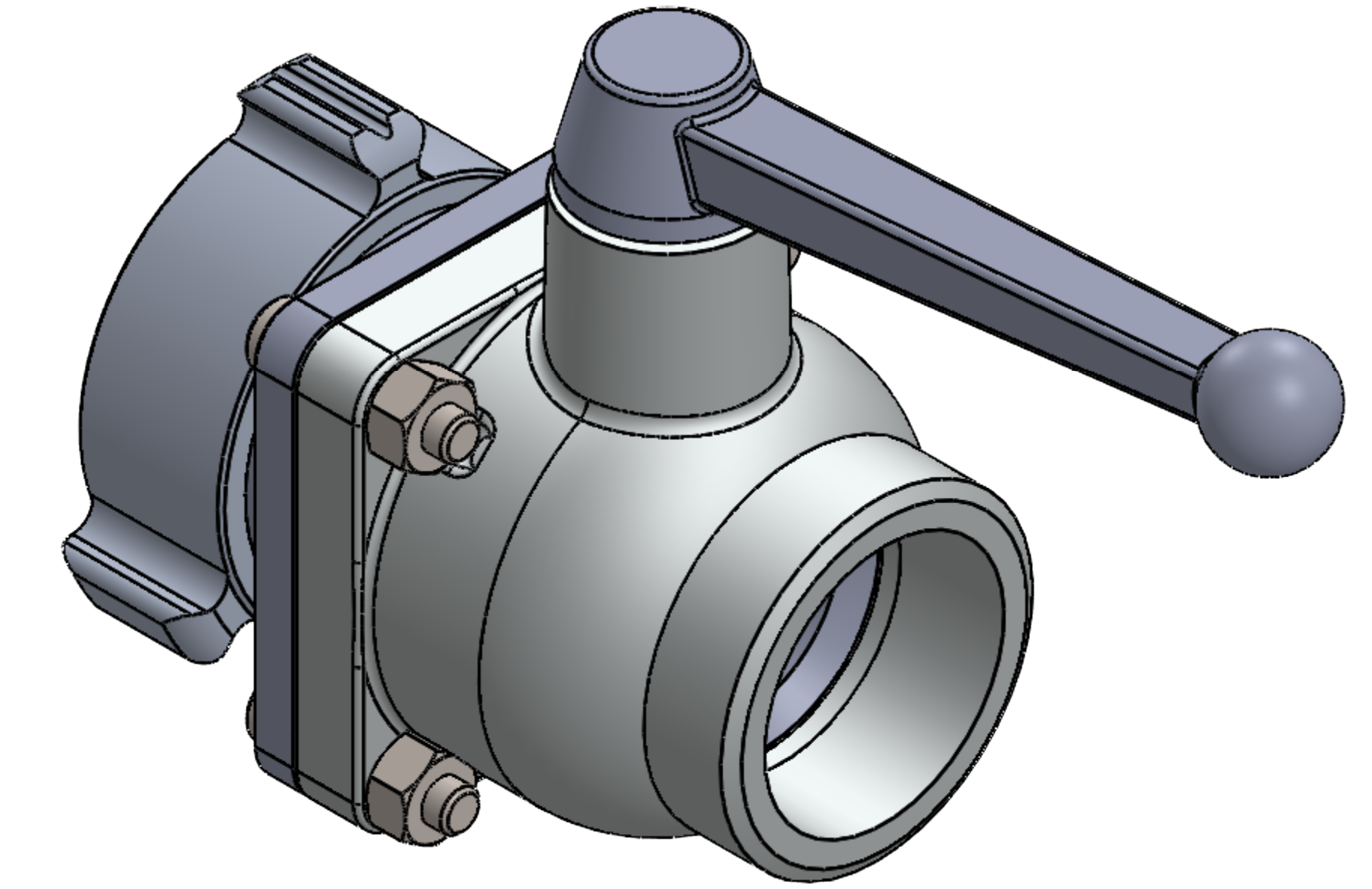
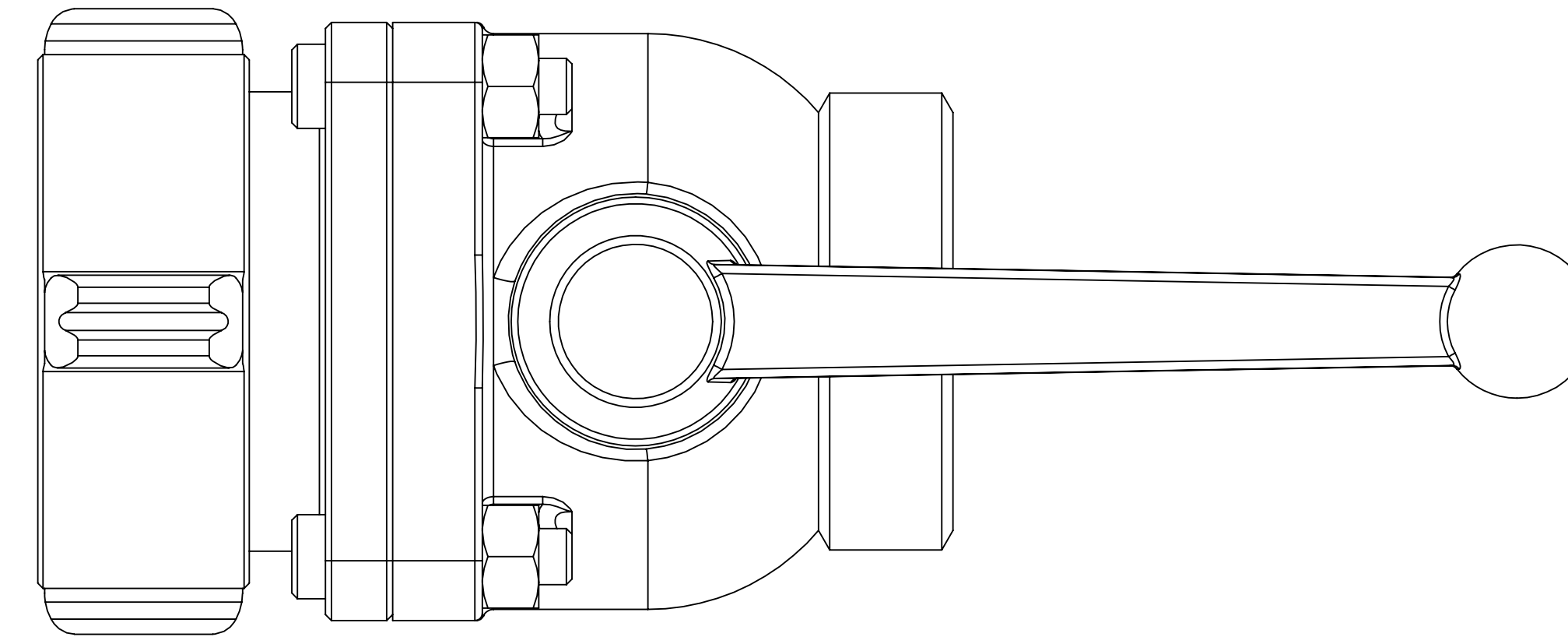
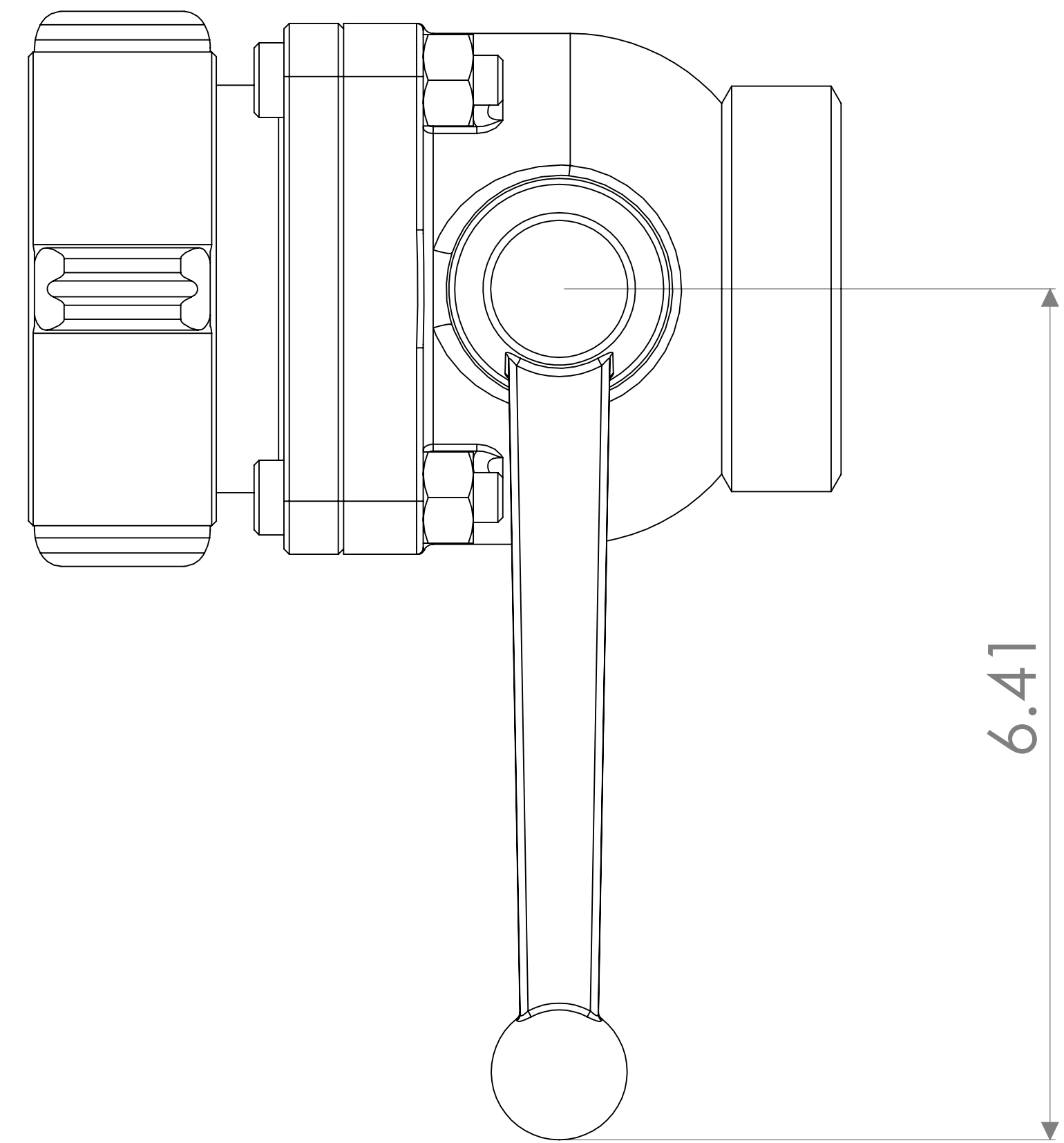


HHBV-25NH-25NH



Harrington
STORZ CONNECT

NAME	DATE
E-man	12/20/2023

DO NOT SCALE DRAWING	REVISION
HARRINGTON INC. 1-800-553-0078 2630 W 21st, ERIE, PA 16506	
TITLE: Ball Valve 2.5NH Female Swivel x 2.5 NH male	
DWG NO.	HHBV-25NH-25NH <small>Ball Valve 2.5NH Female Swivel x 2.5 NH male A0</small>
SCALE: 1:1	SHEET 1 OF 1