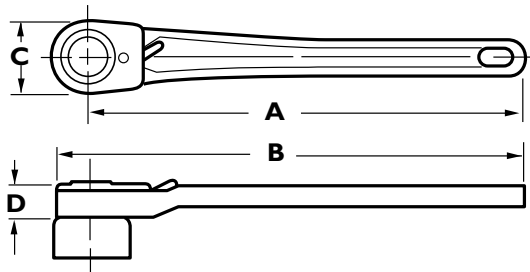


## Series 50F Heavy Duty Hydrant Wrenches

### For US-style water hydrants

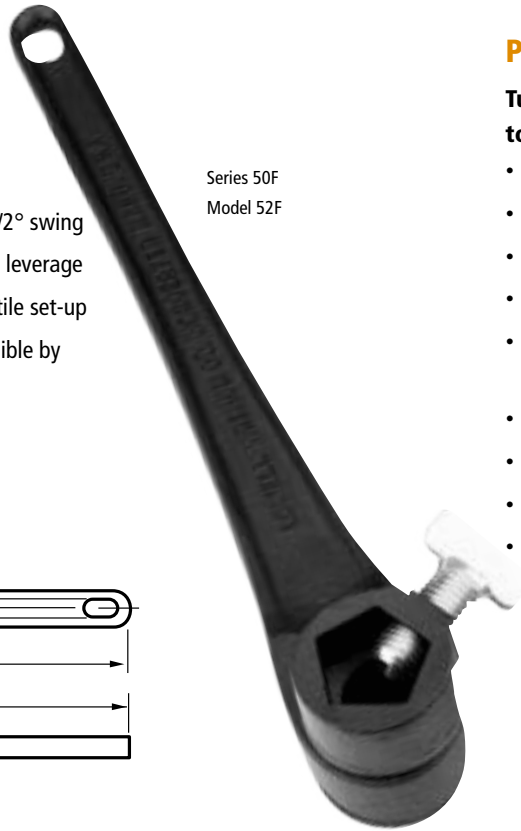
- Available in 2 sizes: 52F and 53F
- Opens, closes any hydrant in only a 22 1/2° swing
- Long handle, pentagon socket for better leverage
- Sockets adjust by thumb screw for versatile set-up
- Socket has 9/16" square opening, accessible by turning wrench over

### Series 50F Hydrant Wrenches



Model	A	B	C	D	Weight	Socket Openings	P/N Assembly
52F	15"	16-1/8"	2-7.16"	1-7/16"	4-1/8 lbs	1-1/2" Pentagon	52901/95824
						2" Pentagon	52901/95832
						1-3/4" Pentagon x	
						1-1/4" Square combo	52901/95828
53F	20"	21-1/8"	2-7.16"	1-7/16"	5 lbs	1-1/2" Pentagon	53901/95824
						2" Pentagon	53901/95832
						1-3/4" Pentagon x	53901/95828
						1-1/4" Square combo	

Series 50F  
Model 52F



## Pipe Wrench Head Adapter

Turns any breaker bar, square male drive ratchet or torque wrench into a pipe wrench.

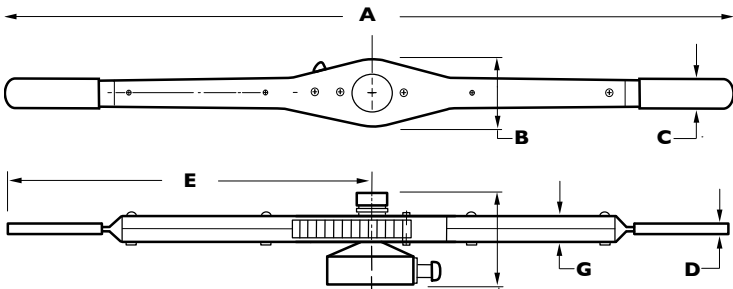
- Fits any standard 1/2" square male drive
- Jaws open from 1-1/2" to 5-1/4"
- 285 lb-ft torque
- All steel construction for rugged duty
- When used with a ratchet, the unique stop bar prevents unwanted ratcheting during repositioning.
- Easy to grab from different angles for work in tight spots
- Lengths closed, 5" open, 7-1/2"
- Weight: 3-1/4 lbs.
- p/n 3A901



Pipe Wrench  
Head Adapter

## Model 252F Hydrant Wrench

- Two handles give greater leverage for loosening and tightening nuts
- Improves safety by allowing operator to always face the road
- Permits two-person operation



Model	A	B	C	D	E	Weight	Socket Openings	P/N Assembly
252	32-1/2"	2-5/8"	1"	5/16"	16-1/4"	6-1/4 lbs	1-1/2" Pentagon	23-13708-9900/95824
							2" Pentagon	23-13708-9900/95832
							1-3/4" Pentagon x	23-13708-9900/95828
							1-1/4" Square combination	

Model 252F  
Hydrant Wrench

