



PF93781 Stainless / Cast Iron Sewage Pump

Product Features

- 1/2 HP submersible sewage pump
- SJE Rhombus tethered float switch
- Submersible sewage pump for typical residential and commercial applications where materials must be moved upward from a basin to sewer or septic lines or to drainage fields
- Solid stainless steel, non-clogging vortex impeller
- Stainless steel motor housing
- Cast iron volute
- 12 Amps, 1440 watts
- Maximum head of 30 feet
- Maximum flow rate of 140 GPM
- 2" Solids handling ability
- Permanent split capacitor motor
- 3450 RPM
- Liquid temperature range 32-120°F
- Discharge size 2" FNPT
- Comes with 15' power cord w/ piggyback plug (on switch cord)



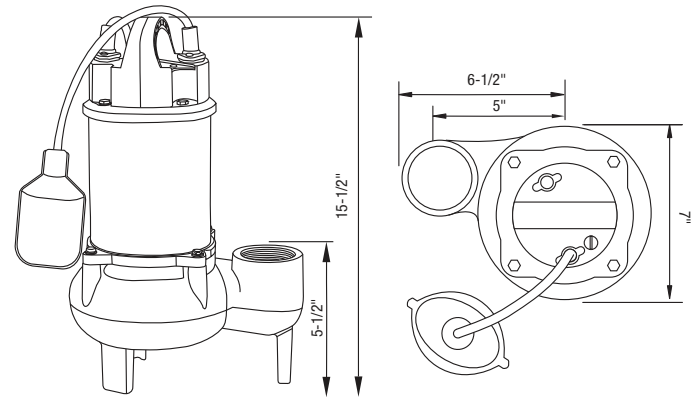
PF93781

Motor Performance

- 1/2HP 120 Volt AC (12 amps)

Performance Chart							
Lift	0'	5'	10'	15'	20'	25'	30'
GPM	140	123	97	72	49	25	3
GPH	8400	7380	5820	4320	2940	1500	180

Product Specifications



* All measurements are nominal. Please verify before actual installation.

Warranty and Codes

This product comes complete with installation, operating, care and maintenance instructions. This PROFLO sewage pump carries a 3 year warranty when installed in residential applications. See owners manual for warranty details.

This PROFLO sewage pump carries a 3 year limited warranty. In an effort to continually improve our products, we will make design changes from time to time. We reserve the right to ship newly designed product to fill any order unless it is agreed in writing to do otherwise.



PROFLO.COM