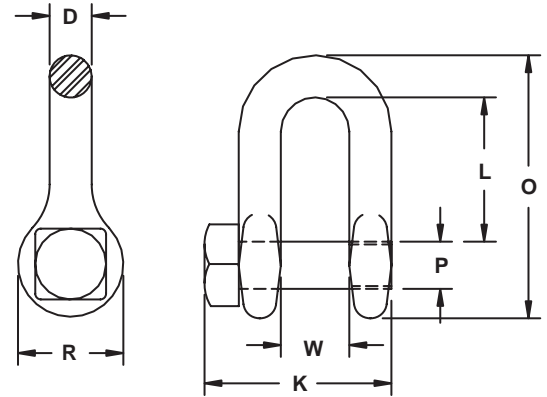


Midland Trawling Shackle

Load rated trawling chain shackles are used for various applications, such as on trawl doors, the rigging of nets, and areas where critical loads are applied.



- Heat treated bodies
- Heat treated alloy pins
- Square head pins for convenience in wrench tightening and loosening
- Proof load 2.2 times working load limit
- Ultimate strength 6 times working load limit
- Painted orange

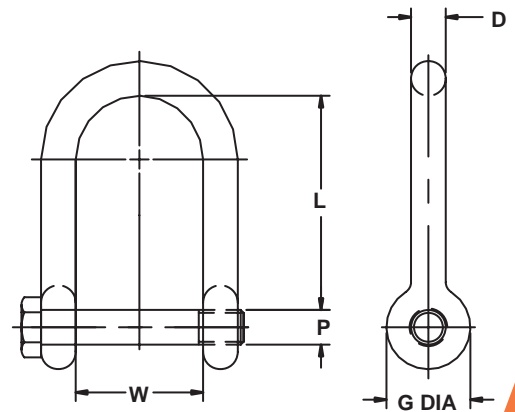


Product Code	Working Load Limit	D	P	W	L	O	R	K	Weight
Imperial									
	lb.	in.	in.	in.	in.	in.	in.	in.	lb.
M449	4,000	0.438	0.500	0.719	1.500	2.750	1.125	1.906	0.43
M450	6,000	0.500	0.625	0.813	1.688	3.125	1.250	2.063	0.60
M451	9,000	0.625	0.750	1.063	2.000	3.780	1.500	2.625	1.30
M452	13,000	0.750	0.875	1.250	2.375	4.530	1.875	3.125	2.20
M453	17,000	0.875	1.000	1.438	2.812	5.750	2.125	3.625	3.00
M454	20,000	1.000	1.125	1.688	3.188	5.938	2.375	4.438	4.70

Midland Long Reach Shackles



- Alloy Steel
- Load Rated
- WLL forged on body
- Meets the requirements of ASME B30.26
- Design factor of 5:1
- Offered in self-colored or orange urethane finish



Working Load Limit	Screw Pin Product Code		Weight	Bolt Type Product Code		Weight	P	D	L	W	G
	Self Colored	Painted		Self Colored	Painted						
Imperial											
lb.			lb.			lb.	in.	in.	in.	in.	in.
7,000	M7151	M7151P	1.80	M9151	M9151P	1.95	0.75	0.63	4.00	2.25	1.57
10,000	M7152	M7152P	2.72	M9152	M9152P	3.21	0.88	0.75	4.56	2.75	1.81
19,000	M7154	M7154P	5.86	M9154	M9154P	6.31	1.00	1.00	5.50	3.25	2.38
28,000	M7156	M7156P	11.90	M9156	M9156P	12.90	1.38	1.25	6.25	3.88	3.06
34,000	M7157	M7157P	19.60	M9157	M9157P	20.70	1.63	1.50	7.00	4.50	3.50
50,000	M7177	M7177P	30.70	M9177	M9177P	33.30	2.00	1.75	8.00	5.25	4.00