

CPJS, CPHS, CPJ and CPH Shallow Well Capacities

CPJS AND CPHS SHALLOW WELL PERFORMANCE WITH SHALLOW WELL EJECTORS



**SW Single Pipe
Shallow Well Ejector**

Model No.	HP	Ejector* Assembly	Suction Lift Ft.	Discharge Pressures (PSI)					Suction & Discharge	Pressure Switch Setting	Shut Off Pressure PSI	Pump Shipping Weight
				20	30	40	50	60				
				CAPACITY - U.S. GALLONS PER MINUTE								
CPJ03SB	1/3	SW03E-1626	5	11.3	10.7	9.5	6.7	1-1/4" X 3/4"	30-50	74	49	
			15	8.7	8.5	7.8	5.3					
			25	5.3	5.3	5.2	4.2					
CPJ05SB CPH05S	1/2	SW05E-1630	5	17.2	16.8	14.8	10.0	1-1/4" X 3/4"	30-50	69	50	
			15	12.8	12.7	12.2	7.7					
			25	7.7	7.5	7.2	5.3					
CPJ07SB CPH07S	3/4	SW07E-1432	5	19.8	19.5	19.2	18.0	1-1/4" X 1"	30-50	65	58	
			15	15.5	15.2	14.8	14.2					
			25	9.8	9.5	9.3	8.8					
CPJ10SB CPH10S	1	SW10E-1334	5	23.7	23.5	23.3	23.0	1-1/4" X 1"	30-50	70	62	
			15	18.3	18.3	18.2	18.0					
			25	11.7	11.7	11.5	11.3					
CPJ15S	1-1/2	SW15E-1238	5	30.0	29.8	29.8	29.8	23.3	1-1/4" X 1"	30-50	77	72
			15	24.0	23.8	23.7	23.5	18.7				
			25	15.0	15.0	15.0	14.8	8.0				

* Ejector assembly included
Maximum Pump Case Pressure = 150 PSI

CPJ AND CPH SHALLOW WELL CAPACITIES WITH CONVERTIBLE EJECTOR



**DW40E Convertible
Ejector**

Model No.	HP	Ejector Assembly	Suct. Lift Ft.	Discharge Pressures (PSI)								Suction & Discharge	Pressure Switch Setting	Shut Off Pressure PSI	Pump Ship Weight
				20	30	40	50	60	70	80	90				
				CAPACITY - U.S. GALLONS PER MINUTE											
CPJ05B CPH05 CPH05Rt	1/2	DW40E-1730	5	14.8	14.5	13.2	10.0	6.7				1-1/4" X 3/4"	30-50	76	46
			15	11.8	11.3	11.2	8.3	5.0							
			25	7.3	7.2	7.0	6.5	3.3							
CPJ07B CPH07 CPH07Rt	3/4	DW40E-1828	5	12.0	11.5	11.3	10.2	7.8	5.0			1-1/4" X 3/4"	30-50	90	38
			15	9.0	8.8	8.7	8.5	6.7	4.2						
			25	5.3	5.3	5.2	5.2	5.0	3.3						
CPJ07B CPH07 CPH07Rt	3/4	DW40E-1630	5	16.0	15.7	15.5	15.0	10.3				1-1/4" X 1"	30-50	75	56
			15	12.5	12.3	12.3	12.2	7.0							
			25	8.3	8.3	8.2	8.0	4.2							
CPJ07B CPH07 CPH07Rt	3/4	DW40E-1726	5	10.2	10.0	9.7	9.5	9.3	9.2	7.5	5.7	1-1/4" X 1"	30-50	120	56
			15	8.0	7.5	7.3	7.3	7.2	7.2	6.7	5.0				
			25	4.8	4.7	4.5	4.3	4.2	4.2	4.2	3.3				
CPJ10B CPH10 CPH10Rt	1	DW40E-1634	5	20.8	20.8	20.5	20.3	15.8				1-1/4" X 1"	30-50	80	58
			15	16.7	16.7	16.3	16.2	13.0							
			25	11.7	11.5	11.3	11.2	9.3							
CPJ10B CPH10 CPH10Rt	1	DW40E-1828	5	12.2	11.7	11.7	11.3	11.2	11.2	10.8	8.0	1-1/4" X 1"	30-50	125	49
			15	9.5	9.2	9.0	8.8	8.8	8.8	8.7	6.7				
			25	5.7	5.5	5.3	5.2	5.0	5.0	5.0	5.0				
CPJ15	1-1/2	DW40E-1736	5	23.8	23.3	23.3	23.0	18.7	13.8	8.3		1-1/4" X 1"	30-50	93	66
			15	18.0	17.8	17.5	17.3	16.3	11.7	6.0					
			25	11.0	10.7	10.7	10.5	10.3	8.3	2.0					

† "R" models include pressure switch and 134349 control package. Order ejector separately.
Maximum Pump Case Pressure = 150 PSI

NOTE: The DW40E ejector can be bolted to the pump as a shallow well ejector or submerged in casing as a convertible "deep well" ejector.

CPJ and CPH Deep Well Capacities



CPJ AND CPH DEEP WELL CAPACITIES WITH TWO-PIPE CONVERTIBLE EJECTOR



DW40E* Cast Iron Two Pipe Convertible Ejector

Model No.	HP	Ejector Assembly	Min. Oper. Press.	Disch. Press. PSI	Vertical Distance to Water in Feet														Press. Switch Setting	Pump Ship Wt.		
					20	30	40	50	60	70	80	90	100	110	120	130	140					
					CAPACITY - U.S. GALLONS PER MINUTE																	
CPJ05B CPH05	1/2	DW40E-1730	25	30 50 Shut Off	12.5 10.8 8.7	5.5 3.7 2.0	6.7 5.5 4.3	7.5 6.3 5.1											30-50	46 38		
		DW40E-1828	25-28	30 50 Shut Off	11.2 10.8 8.8	7.2 6.7 5.5	8.8 8.8 7.5	9.5 8.3 7.1	10.2 9.0 7.8	11.0 9.8 8.6	11.8 10.6 9.4	12.6 11.4 10.2	13.4 12.2 11.0	14.2 13.0 11.8	15.0 13.8 12.6	15.8 14.6 13.4	16.6 15.4 14.2	17.4 16.2 15.0	30-50			
		DW40E-1622	30	30 50 Shut Off	6.0 5.3 4.3	6.0 5.3 4.3	6.0 5.3 4.3	6.0 5.3 4.3	6.0 5.3 4.3	6.0 5.3 4.3	6.0 5.3 4.3	6.0 5.3 4.3	6.0 5.3 4.3	6.0 5.3 4.3	6.0 5.3 4.3	6.0 5.3 4.3	6.0 5.3 4.3	6.0 5.3 4.3	6.0 5.3 4.3		30-50	
CPJ07B CPH07	3/4	DW40E-1630	35-37	30 50 Shut Off	16.7 12.5 8.3	14.2 10.0 5.8	12.2 8.0 3.8	8.3 4.1 0.0												30-50	56	
		DW40E-1726	37-39	30 50 Shut Off	11.7 11.7 11.5	10.3 9.0 7.7	10.3 9.0 7.7	9.0 7.7 6.2	8.7 7.4 6.1	8.0 6.7 5.4	7.0 5.7 4.4	6.0 4.7 3.4	5.0 3.7 2.4	4.0 2.7 1.4	3.0 1.7 0.4	2.0 0.7 -0.6	1.0 -0.7 -2.0	0.0 -1.4 -2.7	30-50			
		DW40E-1520	39	30 50 Shut Off																		30-50
CPJ10B CPH10	1	DW40E-1634	46	30 50 Shut Off	19.2 15.0 10.8	15.0 10.8 6.6	11.7 7.5 3.3	8.3 4.1 0.0												30-50	58 49	
		DW40E-1828	46-47	30 50 Shut Off	13.0 12.0 10.8	12.5 11.2 9.9	12.5 11.2 9.9	11.0 9.7 8.4	10.5 9.2 7.9	9.0 7.7 6.4	8.0 6.7 5.4	7.0 5.7 4.4	6.0 4.7 3.4	5.0 3.7 2.4	4.0 2.7 1.4	3.0 1.7 0.4	2.0 0.7 -0.6	1.0 -0.7 -2.0	0.0 -1.4 -2.7	30-50		
		DW40E-1520	46-47	30 50 Shut Off																		30-50
CPJ15	1-1/2	DW40E-1736	46-52	30 50 Shut Off	21.7 15.0 8.0	17.5 11.7 5.8	13.3 8.3 3.3	10.0 5.0 0.0	6.7 2.7 -1.4											30-50	66	
		DW40E-1728	50-53	30 50 Shut Off																		30-50
		DW40E-1520	52-54	30 50 Shut Off																		30-50

Maximum Pump Case Pressure = 150 PSI, * Suction & pressure pipe tapping 1-1/4" x 1"

CPJ AND CPH DEEP WELL CAPACITIES WITH 2" SINGLE PIPE EJECTOR

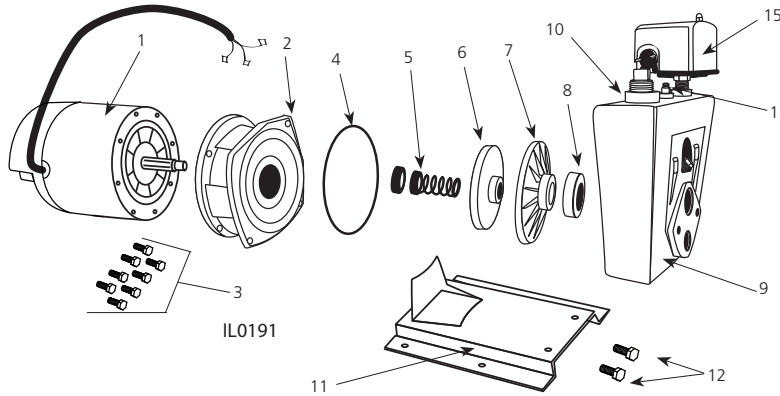


Two Inch Single Pipe Ejector

Model No.	HP	Ejector Assembly	Min. Oper. Press.	Disch. Press. PSI	Vertical Distance to Water in Feet															Press. Switch Setting	Pump Ship Wt.		
					20	30	40	50	60	70	80	90	100	110	120	130	140	150					
					CAPACITY - U.S. GALLONS PER MINUTE																		
CPJ05B CPH05	1/2	SP20BL-1730†	27	30 50 Shut Off	10.8 9.2 7.5	5.0 3.3 1.7	6.7 5.5 4.3	7.5 6.3 5.1												30-50	46 38		
		SP20BL-1828†	27-30	30 50 Shut Off	11.7 11.2 10.8	10.3 9.0 7.7	10.3 9.0 7.7	9.0 7.7 6.2	8.7 7.4 6.1	8.0 6.7 5.4	7.0 5.7 4.4	6.0 4.7 3.4	5.0 3.7 2.4	4.0 2.7 1.4	3.0 1.7 0.4	2.0 0.7 -0.6	1.0 -0.7 -2.0	0.0 -1.4 -2.7	30-50				
		SP20BL-1622†	31	30 50 Shut Off	6.0 5.3 4.3	6.0 5.3 4.3	6.0 5.3 4.3	6.0 5.3 4.3	6.0 5.3 4.3	6.0 5.3 4.3	6.0 5.3 4.3	6.0 5.3 4.3	6.0 5.3 4.3	6.0 5.3 4.3	6.0 5.3 4.3	6.0 5.3 4.3	6.0 5.3 4.3	6.0 5.3 4.3	6.0 5.3 4.3	30-50			
CPJ07B CPH07	3/4	SP20BL-1630†	39	30 50 Shut Off	16.2 11.7 7.5	13.7 9.5 5.3	10.8 6.6 2.4	7.5 3.3 -0.9													30-50	56	
		SP20BL-1726†	39	30 50 Shut Off	11.0 11.0 10.8	9.7 8.3 7.0	9.5 8.2 6.9	8.0 6.7 5.4	7.2 5.9 4.6	6.2 4.9 3.6	5.2 3.9 2.6	4.2 2.9 1.6	3.2 1.9 0.6	2.2 0.9 -0.4	1.2 -0.1 -1.4	0.2 -1.1 -2.4	-0.8 -2.1 -3.4	-1.8 -3.1 -4.4	-2.8 -4.1 -5.4	30-50			
		SP20BL-1520†	40	30 50 Shut Off																			30-50
CPJ10B CPH10	1	SP20BL-1634†	44-47	30 50 Shut Off	16.7 15.0 10.8	15.0 10.8 6.6	11.7 7.5 3.3	8.3 4.1 0.0													30-50	49	
		SP20BL-1828†	44-47	30 50 Shut Off	11.7 11.7 11.2	10.3 9.0 7.7	10.3 9.0 7.7	9.0 7.7 6.2	8.7 7.4 6.1	8.0 6.7 5.4	7.0 5.7 4.4	6.0 4.7 3.4	5.0 3.7 2.4	4.0 2.7 1.4	3.0 1.7 0.4	2.0 0.7 -0.6	1.0 -0.7 -2.0	0.0 -1.4 -2.7	30-50				
		SP20BL-1520†	45-47	30 50 Shut Off																			30-50
CPJ15	1-1/2	SP20BL-1736†	46-52	30 50 Shut Off	20.0 13.3 8.0	15.8 10.0 5.8	12.5 7.5 3.3	9.7 5.0 0.0	6.7 2.7 -1.4												30-50	66	
		SP20BL-1728†	51-53	30 50 Shut Off																			30-50
		SP20BL-1520†	52-55	30 50 Shut Off																			30-50

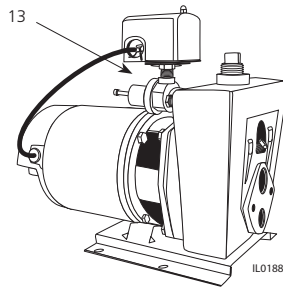
Maximum Pump Case Pressure = 150 PSI †Not for sale in states following Proposition 65 or AB 1953

CONVERTIBLE and SHALLOW WELL JET PUMP REPAIR PARTS "CPJ" and "CPJS" SERIES (For Pricing Refer To Repair Parts Price List)

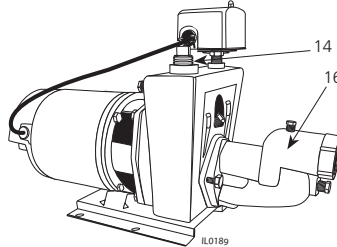


SERVICE KIT FOR JET PUMPS	
MODEL NO	KIT CONTAINS
KF01 ¹	Impeller, Diffuser, Rotary Seal, Quadriseal, Diffuser Rubber
KF02 ²	
KF03 ³	
KF16 ⁴	
KF04 ⁵	Rotary Seal, Quadriseal (2), Diffuser Rubber

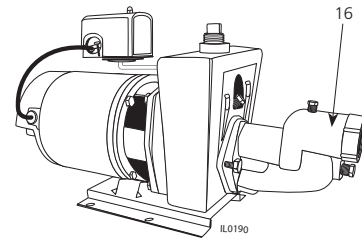
1. Applies to 1/3HP, CPJ Jet Pumps
2. Applies to 1/2HP, CPJ & CPH Jet Pumps
3. Applies to 3/4HP, CPJ & CPH Jet Pumps
4. Applies to 1HP, CPJ & CPH Jet Pumps and VPH10
5. Applies to all Horizontal Cast Iron Jet Pumps



**"CPJ" Convertible
3/4 to 1-1/2 HP**



**"CPJS" Shallow Well
1/3 to 1/2 HP**



**"CPJS" Shallow Well
3/4 to 1-1/2 HP**

ITEM	HORSEPOWER	PART NO.	1/3	1/2	3/4	1	1-1/2
			CPJ03	CPJ05 CPJ05B	CPJ07 CPJ07B	CPJ10 CPJ10B	CPJ15
MODEL NO.: "CPJ" Convertible "CPJS" Shallow Well		DESCRIPTION	CPJ03S	CPJ05S CPJ05SB	CPJ07S CPJ07SB	CPJ10S CPJ10SB	CPJ15S
			QTY				
1	Motor, Nema J (Thd) Motor Cover w/Screws Screws, Cover Motor Lead Wire	021301R 021302	98J103 1 2 136135A	98J105 1 2 136135A	98J107 1 2 136135A	98J110 1 2 136135A	98J115 1 2 136136A
2	Mounting Ring	*	135314	135314	136137	136137	136137
3	Hex Hd. Cap Screws 3/8 x 3/4"		8	8	8	8	8
4	Ring, Square Cut	131100	132583	132583	132429	132429	132429
5	Seal, Rotary w/Spring		1	1	1	1	1
6	Impeller	132428	139348††	139349††	134137	134138	132417
7	Diffuser		132424	132424	132425‡	132425‡	132464
8	Rubber, Diffuser		1	1	1	1	1
9	Pump Body		132582	132582	132418	132418	132418
10	Plug, Priming	*	3/4" NPT	3/4" NPT	1" NPT	1" NPT	1" NPT
11	Base	132430A	1	1	1	1	1
12	Hex Hd. Cap Screws 3/8 x 1/2"	*	2	2	2	2	2
13	Control Valve "CPJ"		124330	124330	132446	132446	133383
14	Plug w/Gasket "CPJS"		128794	128794	-	-	-
15	Pressure Switch		132527	132527	132527	132527	132527
16	Shallow Well Ejector Package		SW03E-1626	SW05E-1630	SW07E-1432	SW10E-1334	SW15E-1238
†	Ejector Gasket Pkg. w/Bolts	132404	1	1	1	1	1
†	Ejector Gasket	130969	1	1	1	1	1

(*) Standard Hardware Item
(†) Not Shown
(††) Impeller w/ 138138 Seal Ring
(‡) Diffuser w/ 134240 Insert