

NDS CATCH BASIN FLOW CAPACITIES

SPEE-D BASIN

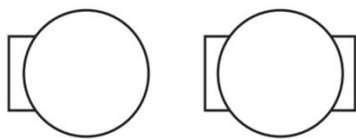
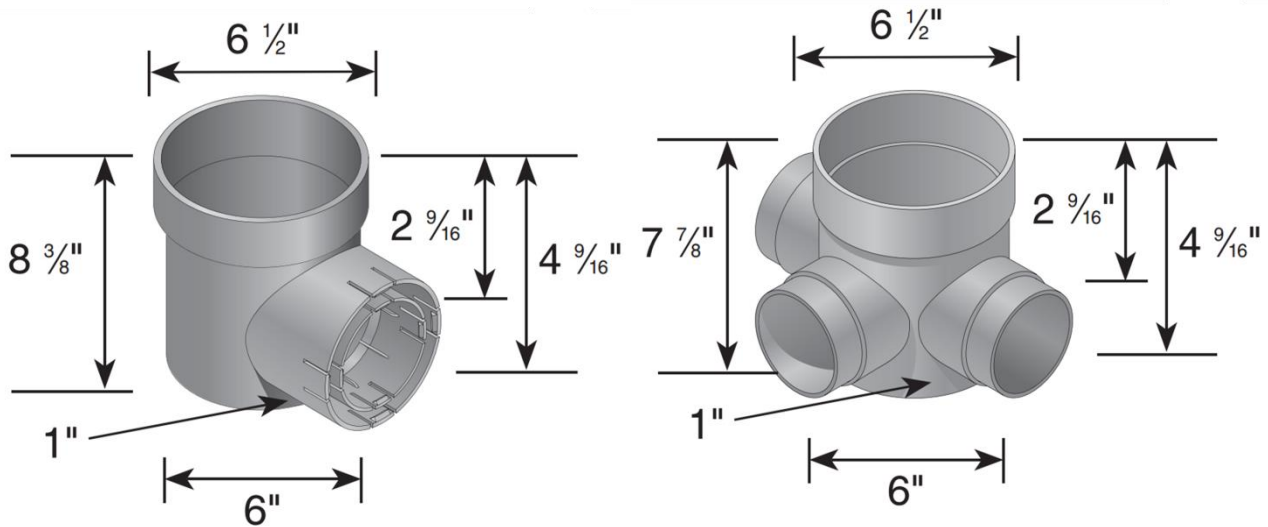
Part #: 101, 201, 250, 300, 350

GRATE CAPACITIES

Grate Number(s)	Description	Flow Rate with 1/2" Head
10, 20, 30, 30S	8" Round Grate	35.18 GPM
40, 50, 60, 60S	6" Round Grate	27.84 GPM
80, 81, 90, 90S	6" Atrium Grate	86.88 GPM

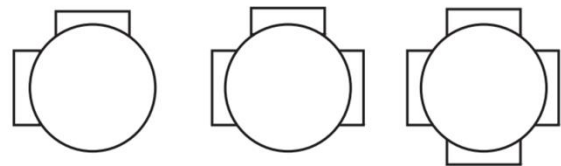
OUTLET FLOW CAPACITIES

Part #	Flow Rate per Outlet
101, 201	68.41GPM
250, 300, 350	83.55 GPM



101

201



250

300

350