

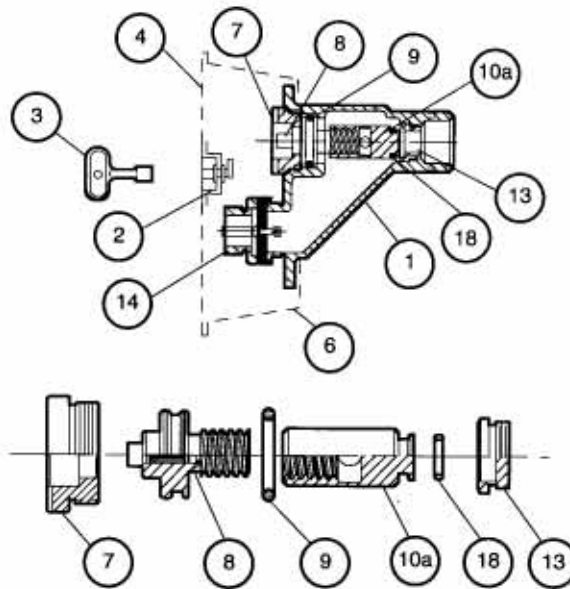
FOR OTHER JAY R. SMITH ENGINEERED PLUMBING PRODUCTS

FIXTURE SUPPORT • ROOF DRAINS
FLOOR DRAIN • CLEANOUTS
INTERCEPTORS • HYDROTROLS
**CONTACT YOUR LOCAL REPRESENTATIVE
OR WRITE TO THE FACTORY**

PARTS LIST WITH MAINTENANCE INSTRUCTIONS

FOR FIG. 5607, 5608, 5609, 5730, 5731, 5760* & 5761*

*TWO HYDRANT PARTS REPAIR KITS REQUIRED FOR "TWIN TEMP" HYDRANTS (FIG. 55760 or 5761)



PM 2815-G

MAINTENANCE INSTRUCTIONS:

1. Shut off water supply
2. Remove face nut.
3. Pull stem out for complete access to all working parts.
4. Check all working parts for replacement.
5. Replace complete repaired stem assembly and face nut.

NOTE: To remove seat (#13) use a 3/8" square rod, 12" longer than rod assembly.

PARTS LIST			
No.	Description	No.	Description
1	Head/Casing Assembly	8	Operating Screw
2	Locking Device*	9	Operating Screw "O" Ring
3	Key	10a	Coupling
4	Cover*	13	Removable Seat
5	Hydrant Cover Pins (2)*	14	Vacuum Breaker
6	Box*	18	Plunger "O" Ring
7	Face Nut		

SMITH® JAY R. SMITH MFG. CO.
DIVISION OF SMITH INDUSTRIES, INC.
POST OFFICE BOX 3237
MONTGOMERY, ALABAMA 36109-0237 (USA)
TEL: 334-277-8520 FAX: 334-272-7396 www.jrsmith.com

*FIG 5607, 5608 LESS BOX

MEMBER OF:



TO REPAIR
5607, 5608, 5709, 5730,
5731, 5760, 5761*
*TWIN-TEMP HYDRANTS REQUIRE TWO HPRK-11

HPRK-3

HYDRANT PARTS REPAIR KIT



HPRK-3 CONTENTS

PART NO.	QUANTITY	DESCRIPTION
3	1	KEY
8	1	OPERATING SCREW
9	1	OPERATING SCREW-"O" RING
10a	1	COUPLING/PLUNGER
13	1	SEAT
18	1	PLUNGER "O" RING INSTRUCTIONS

PM 2811-G

SMITH® **JAY R. SMITH MFG. CO.**
DIVISION OF SMITH INDUSTRIES, INC.
POST OFFICE BOX 3237
MONTGOMERY, ALABAMA 36109-0237 (USA)
TEL: 334-277-8520 FAX: 334-272-7396 www.jrsmith.com



MEMBER OF:

