

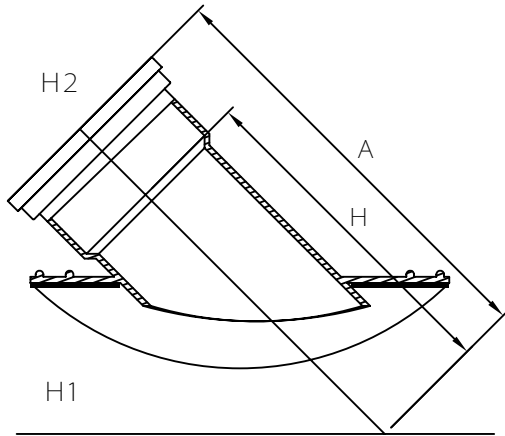


MULTI FITTINGS

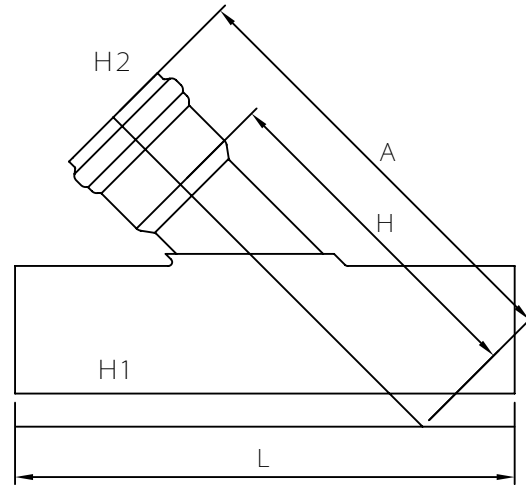
LAYING LENGTH

ISSUE DATE: OCT 30/17
SUPERCEDES: MAR 11/05

SADDLE WYE GASKET SKIRT x GASKET HUB W/STAINLESS STEEL BANDS



INJECTION MOLDED FITTING (M)



FABRICATED FITTING (F)

	SIZE H1xH2	PART NUMBER	A REF	H REF	L REF
P	6x4	043594	-	-	-
M =	8x4	043595	11.375	9.250	9.500
M =	8x6	043598	13.625	10.625	12.500
P	10x4	043599	-	-	-
P	10x6	043596	-	-	-
P	12x4	043600	-	-	-
P	12x6	043597	-	-	-
P	15x4	063603	-	-	-
P	15x6	063602	-	-	-
P	18x4	063440	-	-	-
P	18x6	063808	-	-	-
P	21x4	063617	-	-	-
P	21x6	043184	-	-	-
P	24x4	063618	-	-	-
P	24x6	043430	-	-	-
P	27x4	063846	-	-	-
P	27x6	063838	-	-	-

Note: = Refer to Page G4 for Hub Detail, Type A