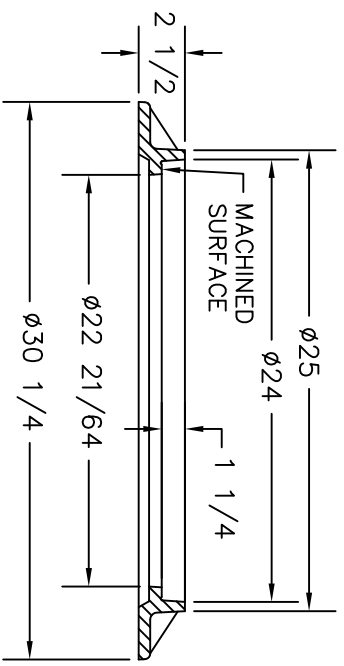
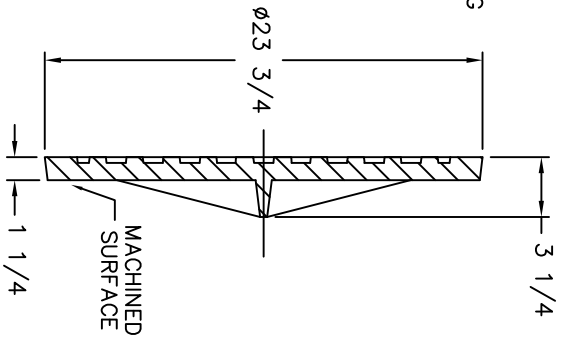



2 NON-PENETRATING PICK-HOLES




US FOUNDRY & MFG. CORP.
 8351 NW 93rd Street, Medley, FL 33166-2025
 ph: 1-800-432-9700; fax: 305-887-9429
 www.usfoundry.com
 © 2010 US Foundry & Mfg. Corp. All Rights Reserved

USF 580 RING & E COVER

LOAD CLASSIFICATION: Heavy Duty

MATERIAL: ASTM-A48 GRAY IRON CLASS 35B

Ring No: 8020171 WGT: 75 SCALE: 1/8"=1"

Cover No: 130 DATE: _____

UNLESS OTHERWISE NOTED WEIGHT IS IN POUNDS AND APPROXIMATED

REV: _____ DATE: _____ REV BY: _____ QUOTE# _____

DATE: _____

REV BY: _____

QUOTE# _____