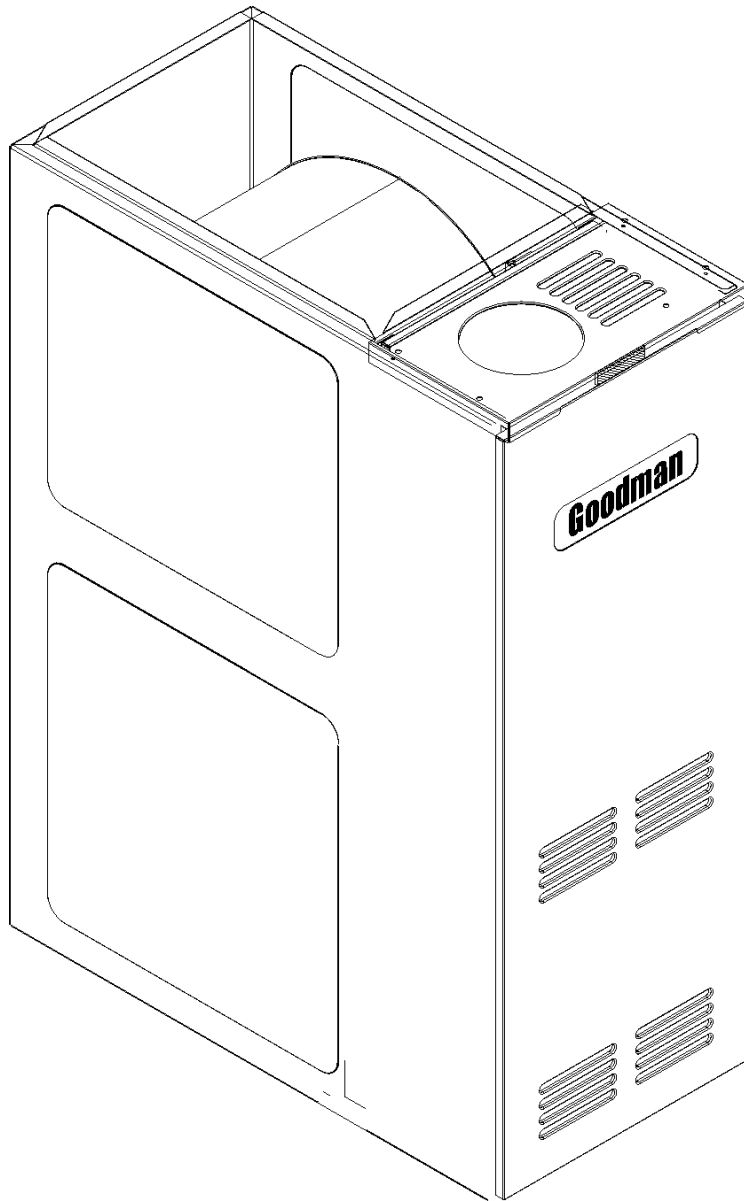


**GDS8 80% Furnace**

GDS80453ANAA  
GDS80453AXAA  
GDS80453AXBAA  
GDS80453AXBBA  
GDS80453AXBBC  
GDS80703ANAA  
GDS80703AXAA  
GDS80703AXBAA  
GDS80703AXBBA  
GDS80703AXBBC  
GDS80904BNAA  
GDS80904BXAA  
GDS80904BxBAA  
GDS80904BxBBA  
GDS80904BxBBC  
GDS81155CNAA  
GDS81155CXAA  
GDS81155CxBAA  
GDS81155CxBBA  
GDS81155CxBBC



This manual is to be used by qualified technicians only.

This manual replaces RP-247E.

© 2004-2008 Goodman Manufacturing Company, L.P. ♦ 5151 San Felipe, Suite 500 ♦ Houston, TX 77056

# Important Information

---

## Index

Functional Parts List .....	3
Illustration and Parts .....	4 - 13

*Views shown are for parts illustrations only, not servicing procedures.*

Rev. F: Added missing ignitors for models M1 - M3, M5 - M8, M10 - M13, M15 - M18 and M20.

### Text Codes:

AR - As Required

NA - Not Available

NS - Not Shown

00000000 - See Note

QTY - Quantity Example (QTY 3) (If Quantity not shown, Quantity = 1)

M - Model Example (M1) (If M Code not shown, then part is used on all Models)

### Expanded Model Nomenclature:

Example M1 - Model#1 M2 - Model#2 M3 - Model#3
---

Goodman Manufacturing Company, L.P. is not responsible for personal injury or property damage resulting from improper service. Review all service information before beginning repairs.

Warranty service must be performed by an authorized technician, using authorized factory parts. If service is required after the warranty expires, Goodman Manufacturing Company, L.P. also recommends contacting an authorized technician and using authorized factory parts.

Goodman Manufacturing Company, L.P. reserves the right to discontinue, or change at any time, specifications or designs without notice or without incurring obligations.

For assistance within the U.S.A. contact:  
Consumer Affairs Department  
Goodman Manufacturing Company, L.P.  
7401 Security Way  
Houston, Texas 77040  
877-254-4729-Telephone  
713-863-2382-Facsimile

For assistance outside the U.S.A. contact:  
International Division  
Goodman Manufacturing Company, L.P.  
7401 Security Way  
Houston, Texas 77040  
713-861-2500-Telephone  
713-863-2382-Facsimile

# Functional Parts

## Part

## No: Description:

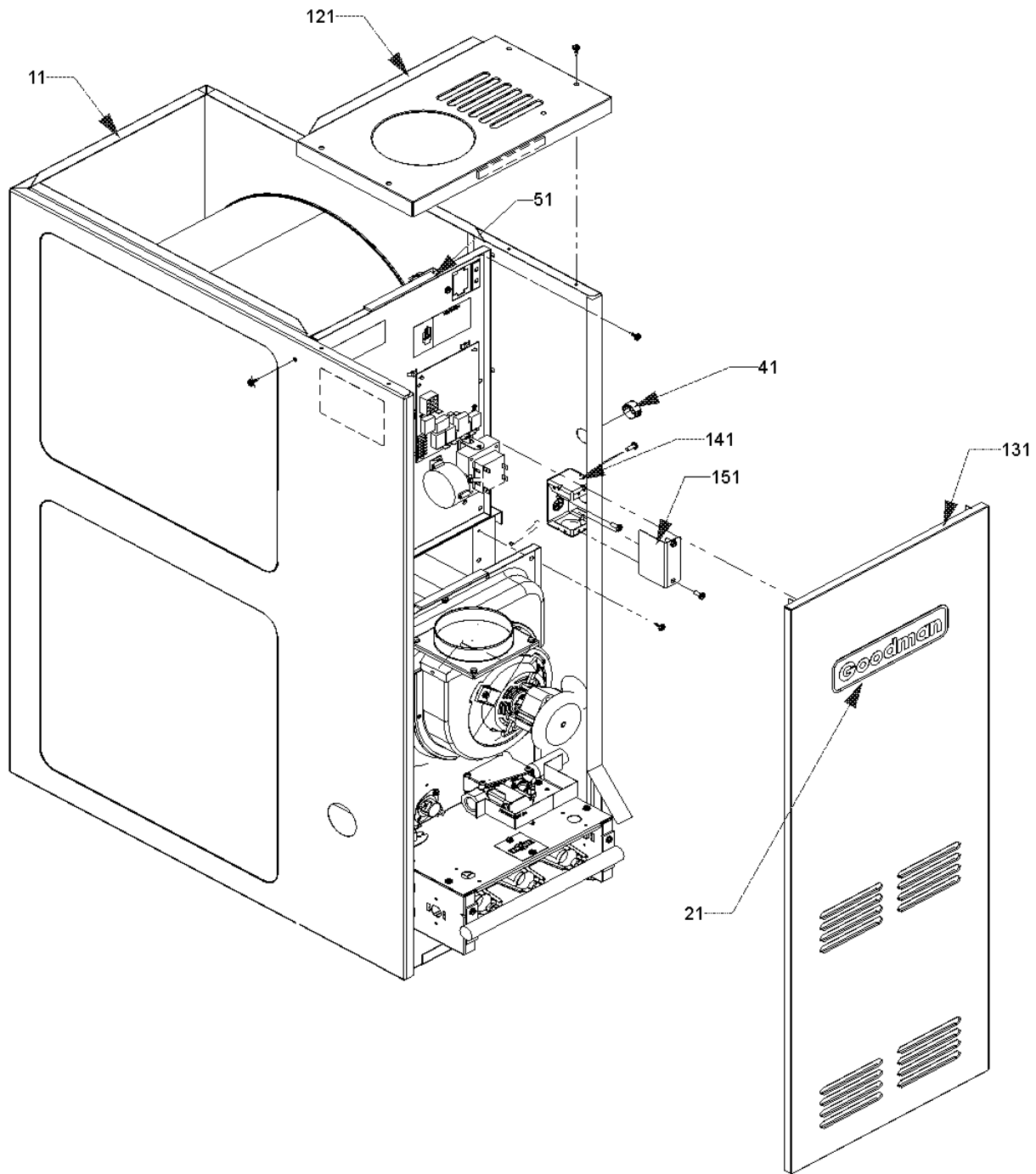
## Expanded Model Nomenclature

B4068406	2-PIN IGNITOR WIRE HARNESS ASSY	M1 - GDS80453ANAA
B1370176	AIR PRESSURE SWITCH (M6, M7)	M2 - GDS80453AXAA
B1370158	AIR PRESSURE SWITCH (M19, M20)	M3 - GDS80453AXBA
B1370150	AIR PRESSURE SWITCH (M16, M17, M18)	M4 - GDS80453AXBB
B1370179	AIR PRESSURE SWITCH (M11, M12, M13)	M5 - GDS80453AXBC
B1370142	AIR PRESSURE SWITCH (M1, M2, M3, M4, M5, M8, M9, M10, M14, M15)	M6 - GDS80703ANAA
B1370155	AUXILIARY LIMIT SWITCH 120°F	M7 - GDS80703AXAA
B1340024S	BLOWER MOTOR 1/2 HP, 4 SP, 6 PL (M11, M12, M13, M14, M15, M16, M17, M18, M19, M20)	M8 - GDS80703AXBA
0131F00020	BLOWER MOTOR 1/3 HP, 4 SP, 6 PL (M1, M2, M3, M4, M5, M6, M7, M8, M9, M10)	M9 - GDS80703AXBB
CAP125000370RPS	CAPACITOR 12.5/370V (M1, M2, M3, M4, M5, M6, M7, M8, M9, M10)	M10 - GDS80703AXBC
CAP200000370RPS	CAPACITOR 20/370V (M11, M12, M13, M14, M15, M16, M17, M18, M19, M20)	M11 - GDS80904BNAA
0130F00010	FLAME SENSOR	M12 - GDS80904BXAA
B1282628	GAS VALVE (36G)	M13 - GDS80904BXBA
PCBBF112S	IGNITION BOARD, HSI INTEGRATED	M14 - GDS80904BXBB
20165703S	IGNITOR	M15 - GDS80904BXBC
B1370192	PRIMARY LIMIT SWITCH 230°F (M1, M2, M3, M5)	M16 - GDS81155CNAA
B1370192	PRIMARY LIMIT SWITCH 230°F (M4)	M17 - GDS81155CXAA
B1370194	PRIMARY LIMIT SWITCH 250°F (M19)	M18 - GDS81155CXBA
B1370194	PRIMARY LIMIT SWITCH 250°F (M16, M17, M18, M20)	M19 - GDS81155CXBB
B1370195	PRIMARY LIMIT SWITCH 300°F (M6, M7, M8, M10, M11, M12, M13, M15)	M20 - GDS81155CXBC
B1370195	PRIMARY LIMIT SWITCH 300°F (M9, M14)	
B1370145	ROLLOUT SWITCH 300 W/O BRACKET	
B1141605	TRANSFORMER 120V TO 24V, 40 VA	
0131M00002S	VENT MOTOR (M1, M2, M3, M5, M6, M7, M8, M10, M11, M12, M13, M15, M16, M17, M18, M20)	
0131F00006S	VENT MOTOR, SINGLE STAGE ROUND NOSE (M4, M9, M14, M19)	

## SPECIAL PARTS

IO-294A	INSTALLATION INSTRUCTIONS (M3, M4, M5, M8, M9, M10, M13, M14, M15, M18, M19, M20)
IO-242D	INSTALLATION INSTRUCTIONS (M1, M2, M6, M7, M11, M12, M16, M17)
IO-669	INSTALLATION INSTRUCTIONS-HUMIDIFIER (M3, M4, M5, M8, M9, M10, M13, M14, M15, M18, M19, M20)
0161F00000P	NAMEPLATE, GOODMAN
HI-115A	USERS MANUAL

# Cabinet



# Cabinet

Ref. Part No:	No:	Description:	Ref. Part No:	No:	Description:
<i>Image 1:</i>					
11	4026537S	INSULATED ASSY, WRAPPER 14" (M1, M2, M3, M4, M5, M6, M7, M8, M9, M10)			
11	4026538S	INSULATED ASSY, WRAPPER 17.5" (M11, M12, M13, M14, M15)			
11	4026539S	INSULATED ASSY, WRAPPER 21" (M16, M17, M18, M19, M20)			
21	0161F00000P	NAMEPLATE, GOODMAN			
41	B1392104	UNIVERSAL BUSHING UB 875			
51	B13926111	SEAL STRIP, 1/8 X 1/2 X 14 (M1, M2, M3, M4, M5, M6, M7, M8, M9, M10)			
51	B13926112	SEAL STRIP, 1/8 X 1/2 X 17.5 (M11, M12, M13, M14, M15)			
51	B13926113	SEAL STRIP, 1/8 X 1/2 X 21 (M16, M17, M18, M19, M20)			
121	0221F00000PDG	TOP PANEL 14" (M1, M2, M3, M4, M5, M6, M7, M8, M9, M10)			
121	0221F00001PDG	TOP PANEL 17.5" (M11, M12, M13, M14, M15)			
121	0221F00002PDG	TOP PANEL 21" (M16, M17, M18, M19, M20)			
131	0221F00008PDG	ACCESS DOOR 14" (M1, M2, M3, M4, M5, M6, M7, M8, M9, M10)			
131	0221F00009PDG	ACCESS DOOR 17.5" (M11, M12, M13, M14, M15)			
131	0221F00010PDG	ACCESS DOOR 21" (M16, M17, M18, M19, M20)			
141	4014502	J-BOX			
151	4015502	J-BOX COVER			

## Expanded Model Nomenclature

M1 - GDS80453ANAA
M2 - GDS80453AXAA
M3 - GDS80453AXBA
M4 - GDS80453AXBB
M5 - GDS80453AXBC
M6 - GDS80703ANAA
M7 - GDS80703AXAA
M8 - GDS80703AXBA
M9 - GDS80703AXBB
M10 - GDS80703AXBC
M11 - GDS80904BNAA
M12 - GDS80904BXAA
M13 - GDS80904BXBA
M14 - GDS80904BXBB
M15 - GDS80904BXBC
M16 - GDS81155CNAA
M17 - GDS81155CXAA
M18 - GDS81155CXBA
M19 - GDS81155CXBB
M20 - GDS81155CXBC

# Blower Assembly/Control Panel

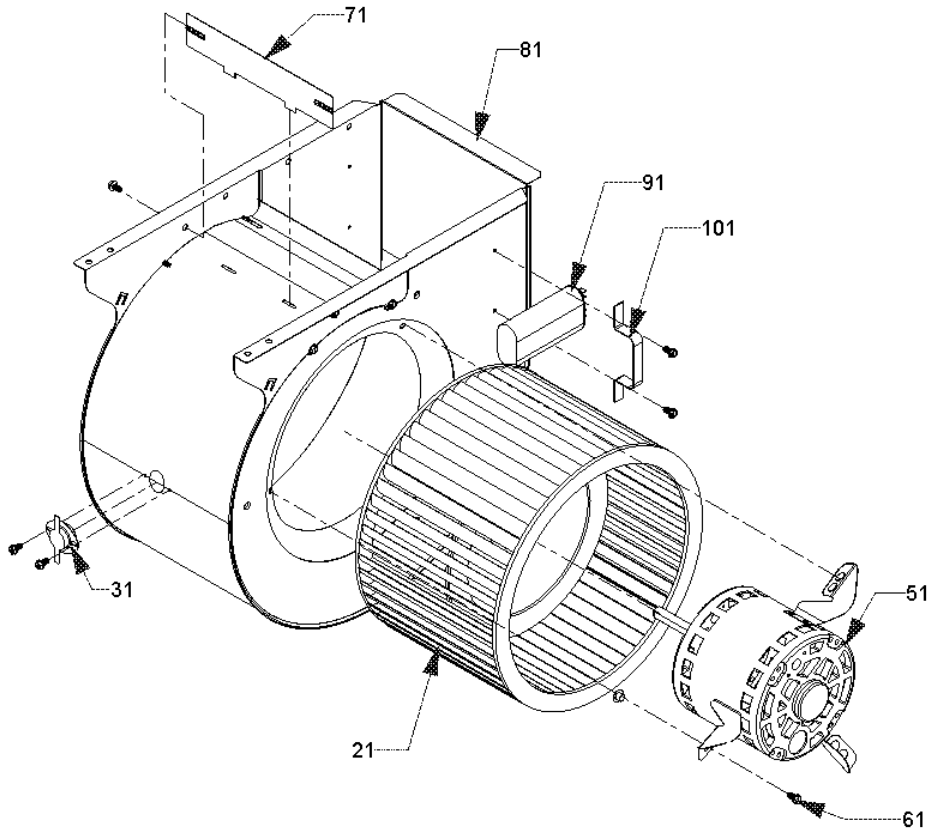
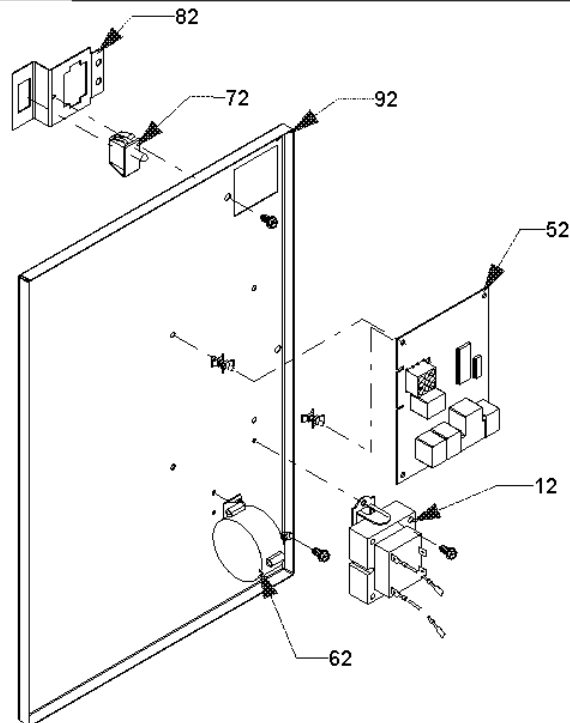


Image 1

Image 2



# Blower Assembly/Control Panel

**Ref. Part  
No: No:**

**Description:**

**Ref. Part  
No: No:**

**Description:**

*Image 1:*

21	D6723306S	BLOWER WHEEL (M16, M17, M18, M19, M20)
21	B1368034S	BLOWER WHEEL 10 X 6 (M1, M2, M3, M4, M5, M6, M7, M8, M9, M10)
21	B1368016S	BLOWER WHEEL 10 X 8 (M11, M12, M13, M14, M15)
31	B1370155	AUXILIARY LIMIT SWITCH 120°F
51	B1340024S	BLOWER MOTOR 1/2 HP, 4 SP, 6 PL (M11, M12, M13, M14, M15, M16, M17, M18, M19, M20)
51	0131F00020	BLOWER MOTOR 1/3 HP, 4 SP, 6 PL (M1, M2, M3, M4, M5, M6, M7, M8, M9, M10)
61	B1393331	MACHINE SCREW, 1/4-20 TYPE F SLOTTED (QTY 3)
71	764741F	BLOWER BLOCK-OFF 10 X 10 (M16, M17, M18, M19, M20)
71	764740F	BLOWER BLOCK-OFF 10 X 8 (M11, M12, M13, M14, M15)
71	764739	BLOWER CUT-OFF 10 X 6 (M1, M2, M3, M4, M5, M6, M7, M8, M9, M10)
81	2539307S	BLOWER HOUSING 10 X 10 (M16, M17, M18, M19, M20)
81	2539305S	BLOWER HOUSING 10 X 6 (M1, M2, M3, M4, M5, M6, M7, M8, M9, M10)
81	2539306S	BLOWER HOUSING 10 X 8 (M11, M12, M13, M14, M15)
91	CAP125000370RPS	CAPACITOR 12.5/370V (M1, M2, M3, M4, M5, M6, M7, M8, M9, M10)
91	CAP200000370RPS	CAPACITOR 20/370V (M11, M12, M13, M14, M15, M16, M17, M18, M19, M20)
101	1284835	CAPACITOR STRAP
NS	0259F00007P	12-PIN WIRE HARNESS ASSY
NS	0259F00009P	15-PIN WIRE HARNESS ASSY-FEMALE
NS	0259F00008P	15-PIN WIRE HARNESS ASSY-MALE

Expanded Model Nomenclature

M1 - GDS80453ANAA
M2 - GDS80453AXAA
M3 - GDS80453AXBA
M4 - GDS80453AXBB
M5 - GDS80453AXBC
M6 - GDS80703ANAA
M7 - GDS80703AXAA
M8 - GDS80703AXBA
M9 - GDS80703AXBB
M10 - GDS80703AXBC
M11 - GDS80904BNAA
M12 - GDS80904BXAA
M13 - GDS80904BXBA
M14 - GDS80904BXBB
M15 - GDS80904BXBC
M16 - GDS81155CNAA
M17 - GDS81155CXAA
M18 - GDS81155CXBA
M19 - GDS81155CXBB
M20 - GDS81155CXBC

*Image 2:*

12	B1141605	TRANSFORMER 120V TO 24V, 40 VA
52	PCBBF112S	IGNITION BOARD, HSI INTEGRATED
62	B1370142	AIR PRESSURE SWITCH (M1, M2, M3, M4, M5, M8, M9, M10, M14, M15)
62	B1370150	AIR PRESSURE SWITCH (M16, M17, M18)
62	B1370158	AIR PRESSURE SWITCH (M19, M20)
62	B1370176	AIR PRESSURE SWITCH (M6, M7)
62	B1370179	AIR PRESSURE SWITCH (M11, M12, M13)
72	B1370819	DOOR SWITCH
82	2509505	MOUNTING BRACKET, DOOR SWITCH
92	2515008	INNER BLOWER DOOR 14" (M1, M2, M3, M4, M5, M6, M7, M8, M9, M10)
92	2515009	INNER BLOWER DOOR 17.5" (M11, M12, M13, M14, M15)
92	2515010	INNER BLOWER DOOR 21" (M16, M17, M18, M19, M20)
NS	A3468601	PRESSURE SWITCH HOSE

# Heat Exchanger/Flue Collector Box w/Separate Chimney Assy

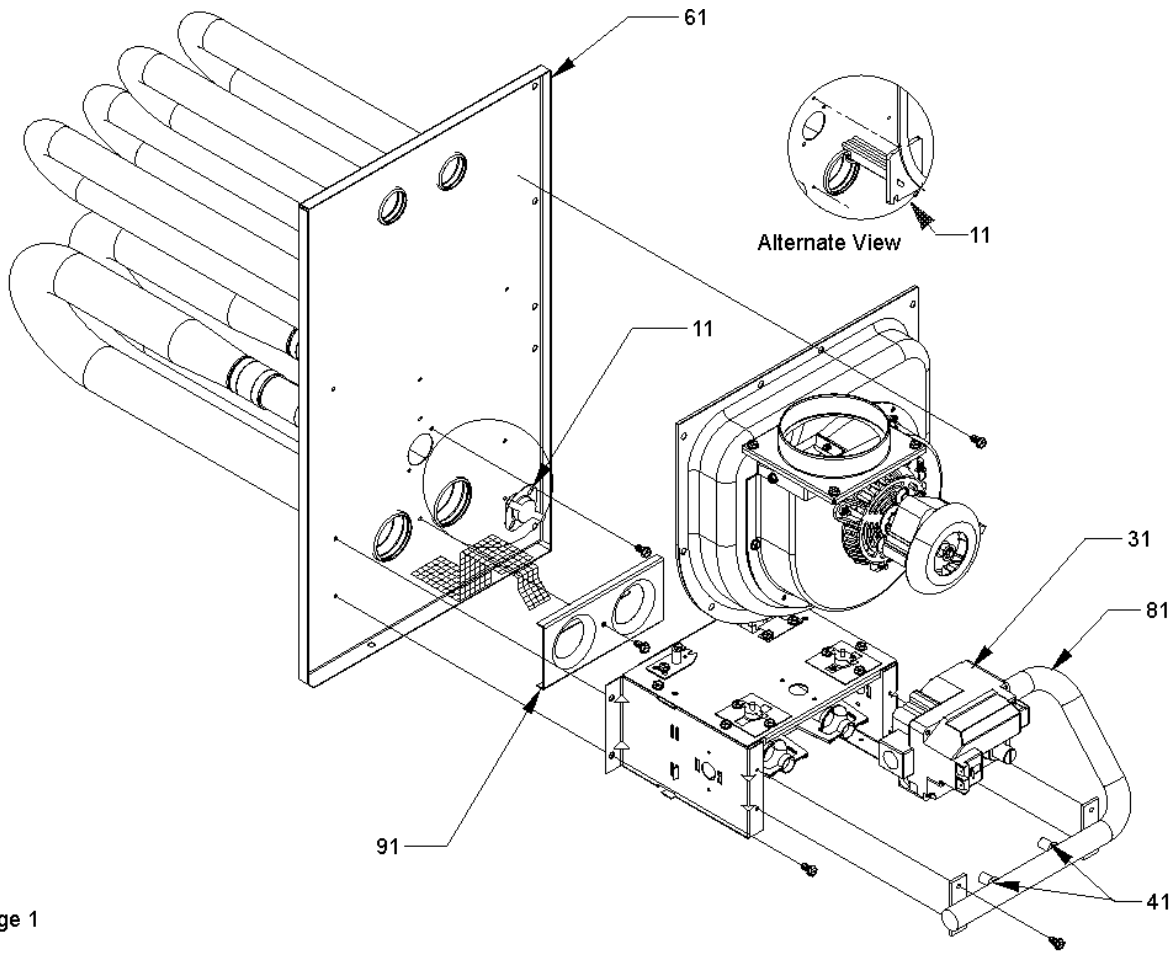
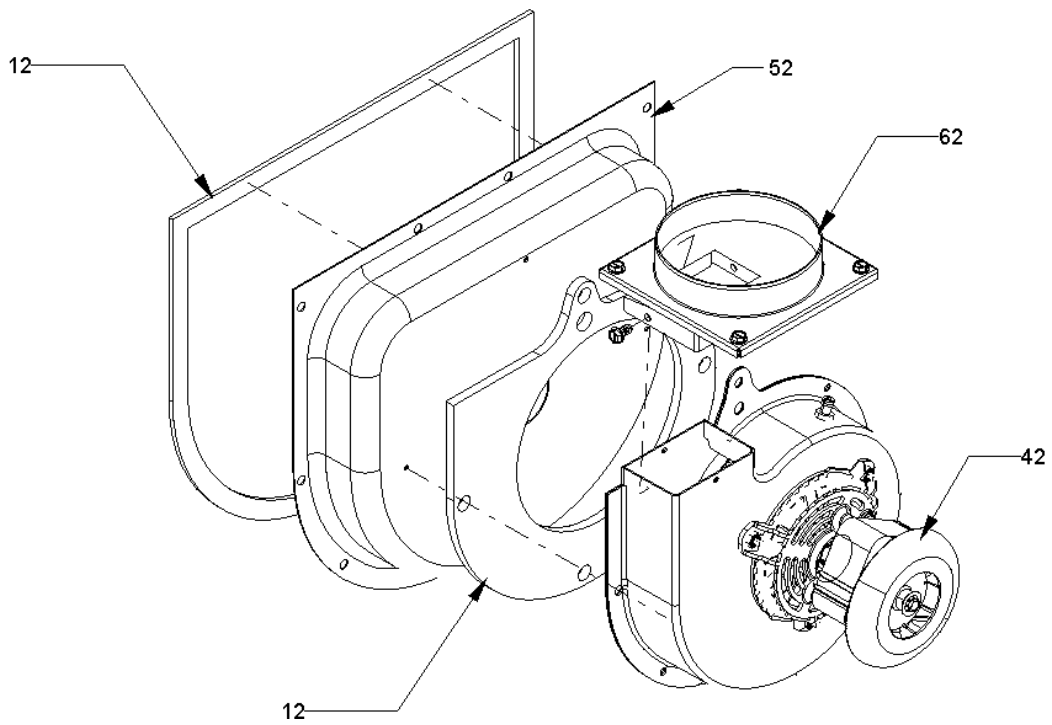


Image 1

Image 2





# Heat Exchanger/Flue Collector Box w/Separate Chimney Assy

Ref. Part No:	No:	Description:	Ref. Part No:	No:	Description:
<i>Image 1:</i>			Expanded Model Nomenclature		
11	B1370192	PRIMARY LIMIT SWITCH 230°F (M1, M2, M3, M5)	M1 -	GDS80453ANAA	
11	B1370194	PRIMARY LIMIT SWITCH 250°F (M16, M17, M18, M20)	M2 -	GDS80453AXAA	
11	B1370195	PRIMARY LIMIT SWITCH 300°F (M6, M7, M8, M10, M11, M12, M13, M15)	M3 -	GDS80453AXBA	
31	B1282628	GAS VALVE (36G) (M1, M2, M3, M5, M6, M7, M8, M10, M11, M12, M13, M15, M16, M17, M18, M20)	M4 -	GDS80453AXBB	
41	10716003	ORIFICE (M1, M2, M3, M5, M6, M7, M8, M10, M11, M12, M13, M15, M16, M17, M18, M20)	M5 -	GDS80453AXBC	
61	4021300S	SUB-ASSY, HEAT EXCHANGER 2 CL 14" (M1, M2, M3, M5)	M6 -	GDS80703ANAA	
61	4021307S	SUB-ASSY, HEAT EXCHANGER 3 CL 14" (M6, M7, M8, M10)	M7 -	GDS80703AXAA	
61	4021309S	SUB-ASSY, HEAT EXCHANGER 4 CL 17.5" (M11, M12, M13, M15)	M8 -	GDS80703AXBA	
61	4021311S	SUB-ASSY, HEAT EXCHANGER 5 CL 21" (M16, M17, M18, M20)	M9 -	GDS80703AXBB	
81	B4026005	MANIFOLD - 2 BRNR (M1, M2, M3, M5)	M10 -	GDS80703AXBC	
81	B4026006	MANIFOLD - 3 BRNR (M6, M7, M8, M10)	M11 -	GDS80904BNAA	
81	B4026007	MANIFOLD - 4 BRNR (M11, M12, M13, M15)	M12 -	GDS80904BXAA	
81	B4026008	MANIFOLD - 5 BRNR (M16, M17, M18, M20)	M13 -	GDS80904BXBA	
91	4028000	ORIFICE SHIELD 2 CL (M1, M2, M3, M5)	M14 -	GDS80904BXBB	
91	4028001	ORIFICE SHIELD 3 CL (M6, M7, M8, M10)	M15 -	GDS80904BXBC	
91	4028002	ORIFICE SHIELD 4 CL (M11, M12, M13, M15)	M16 -	GDS81155CNAA	
91	4028003	ORIFICE SHIELD 5 CL (M16, M17, M18, M20)	M17 -	GDS81155CXAA	
NS	B4068406	2-PIN IGNITOR WIRE HARNESS ASSY (M1, M2, M3, M5, M6, M7, M8, M10, M11, M12, M13, M15, M16, M17, M18, M20)	M18 -	GDS81155CXBA	
			M19 -	GDS81155CXBB	
			M20 -	GDS81155CXBC	
<i>Image 2:</i>					
12	B1392633	VENT MOTOR GASKET 14" (M1, M2, M3, M5, M6, M7, M8, M10)			
12	B1392634	VENT MOTOR GASKET 17.5" (M11, M12, M13, M15)			
12	B1392635	VENT MOTOR GASKET 21" (M16, M17, M18, M20)			
42	0131M00002S	VENT MOTOR (M1, M2, M3, M5, M6, M7, M8, M10, M11, M12, M13, M15, M16, M17, M18, M20)			
52	4010012S	FLUE COLLECTOR BOX KIT 14" (M1, M2, M3, M5)			
52	4010013S	FLUE COLLECTOR BOX KIT 14" (M6, M7, M8, M10)			
52	4010015S	FLUE COLLECTOR BOX KIT 17.5" (M11, M12, M13, M15)			
52	4010017S	FLUE COLLECTOR BOX KIT 21" (M16, M17, M18, M20)			
62	4053501S	CHIMNEY (M1, M2, M3, M5, M6, M7, M8, M10, M11, M12, M13, M15, M16, M17, M18, M20)			

# Heat Exchanger/Flue Collector Box w/Built-in Chimney Assy

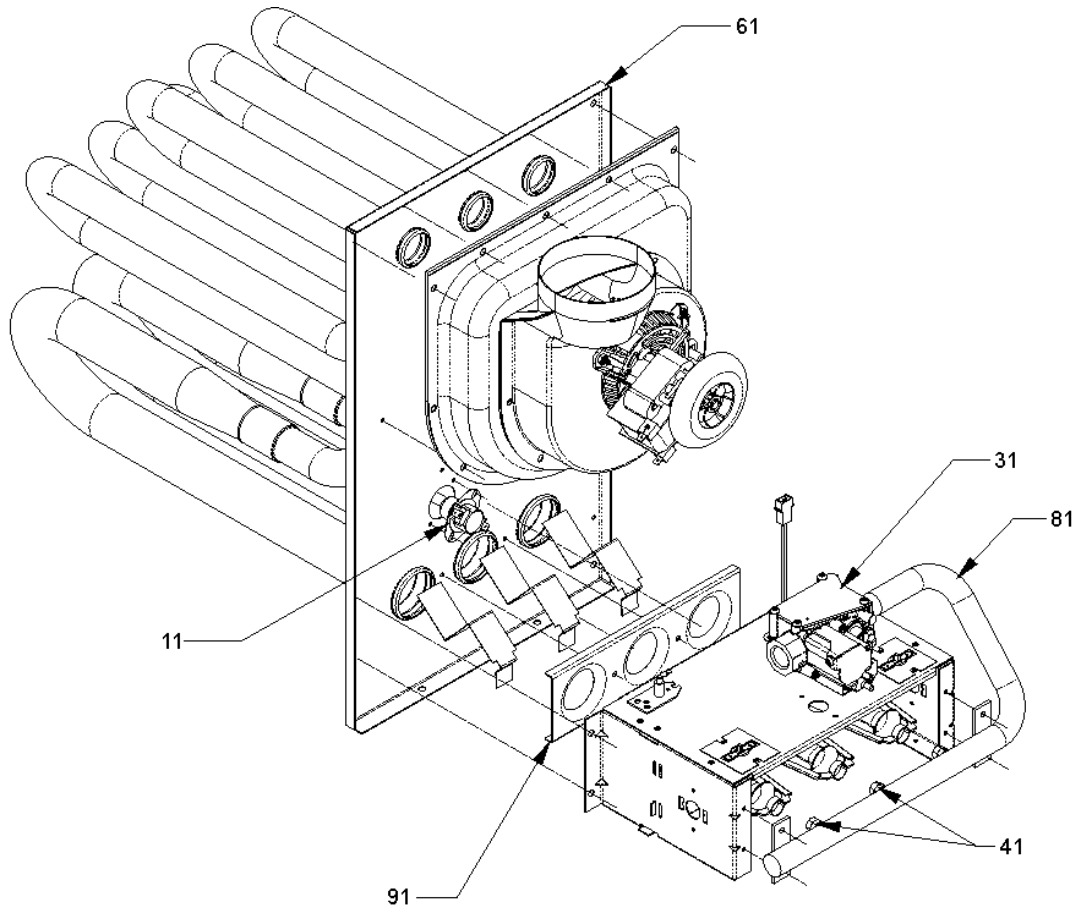
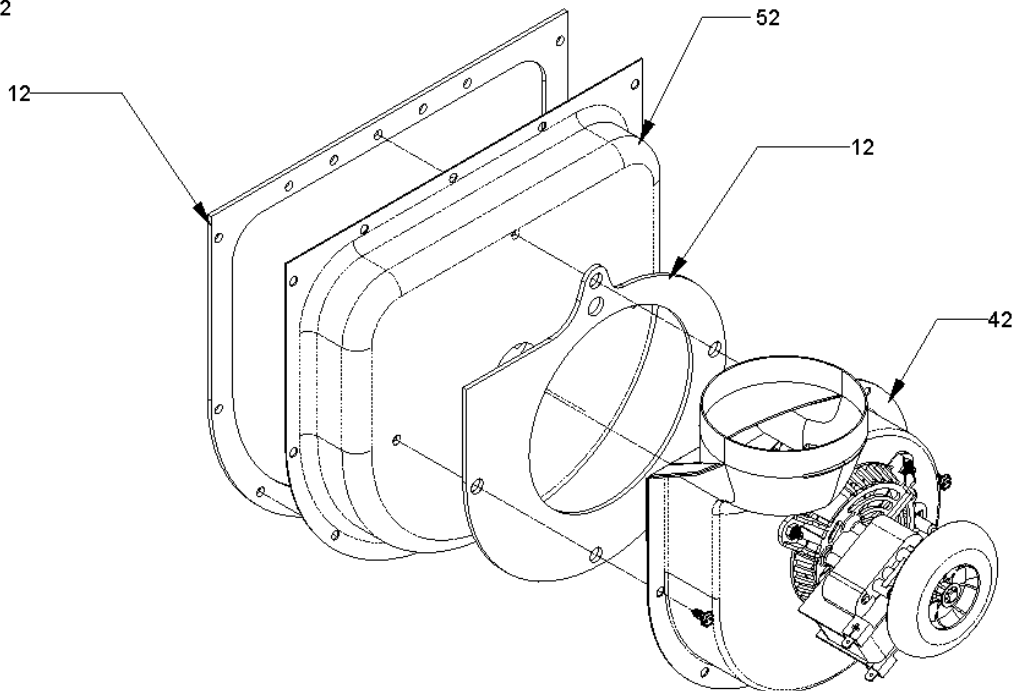


Image 1

Image 2



# Heat Exchanger/Flue Collector Box w/Built-in Chimney Assy

Ref. Part No: No:	Description:	Ref. Part No: No:	Description:
-------------------	--------------	-------------------	--------------

*Image 1:*

11	B1370192	PRIMARY LIMIT SWITCH 230°F (M4)
11	B1370194	PRIMARY LIMIT SWITCH 250°F (M19)
11	B1370195	PRIMARY LIMIT SWITCH 300°F (M9, M14)
31	B1282628	GAS VALVE (36G) (M4, M9, M14, M19)
41	10716003	ORIFICE (M4, M9, M14, M19)
61	4021300S	SUB-ASSY, HEAT EXCHANGER 2 CL 14" (M4)
61	4021307S	SUB-ASSY, HEAT EXCHANGER 3 CL 14" (M9)
61	4021309S	SUB-ASSY, HEAT EXCHANGER 4 CL 17.5" (M14)
61	4021311S	SUB-ASSY, HEAT EXCHANGER 5 CL 21" (M19)
71	2509503F	AUXILIARY LIMIT BRACKET (M4, M9, M14, M19)
81	B4026005	MANIFOLD - 2 BRNR (M4)
81	B4026006	MANIFOLD - 3 BRNR (M9)
81	B4026007	MANIFOLD - 4 BRNR (M14)
81	B4026008	MANIFOLD - 5 BRNR (M19)
91	4028000	ORIFICE SHIELD 2 CL (M4)
91	4028001	ORIFICE SHIELD 3 CL (M9)
91	4028002	ORIFICE SHIELD 4 CL (M14)
91	4028003	ORIFICE SHIELD 5 CL (M19)
NS	B4068406	2-PIN IGNITOR WIRE HARNESS ASSY (M4, M9, M14, M19)

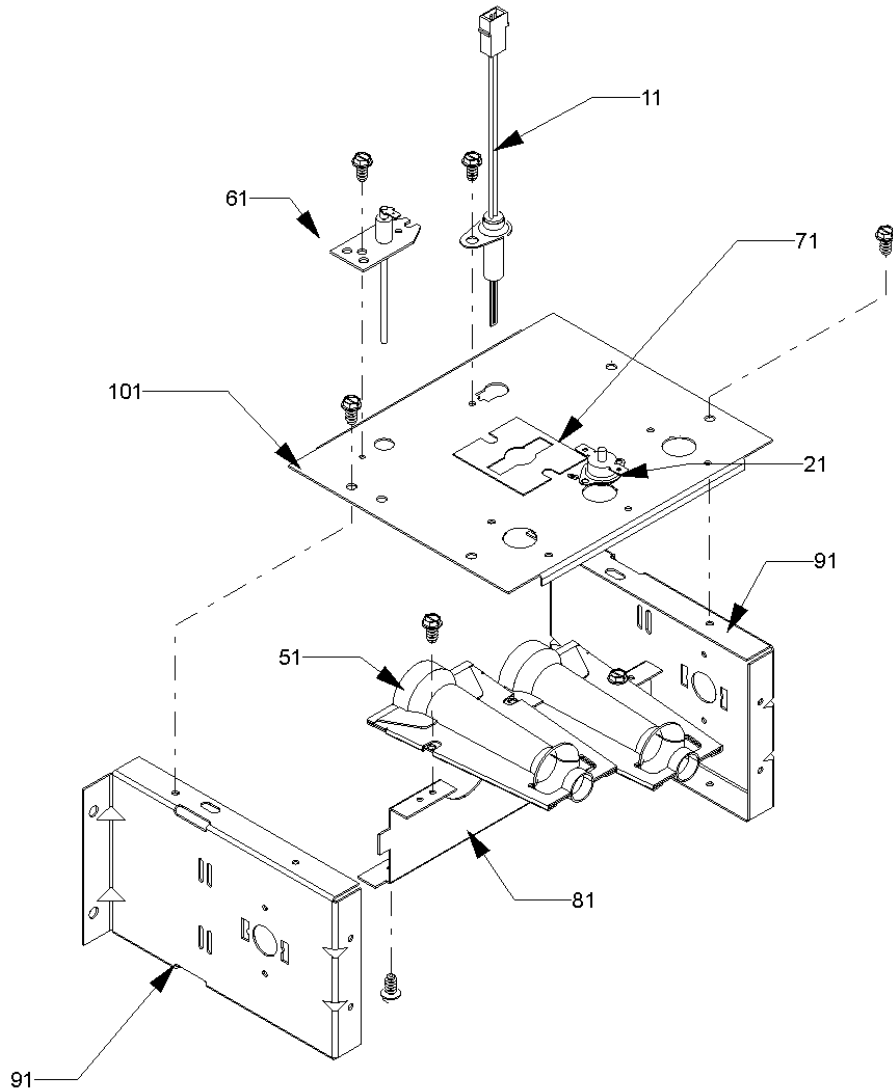
Expanded Model Nomenclature

M1 - GDS80453ANAA
M2 - GDS80453AXAA
M3 - GDS80453AXBA
M4 - GDS80453AXBB
M5 - GDS80453AXBC
M6 - GDS80703ANAA
M7 - GDS80703AXAA
M8 - GDS80703AXBA
M9 - GDS80703AXBB
M10 - GDS80703AXBC
M11 - GDS80904BNAA
M12 - GDS80904BXAA
M13 - GDS80904BXBA
M14 - GDS80904BXBB
M15 - GDS80904BXBC
M16 - GDS81155CNAA
M17 - GDS81155CXAA
M18 - GDS81155CXBA
M19 - GDS81155CXBB
M20 - GDS81155CXBC

*Image 2:*

12	B1392633	VENT MOTOR GASKET 14" (M4, M9)
12	B1392634	VENT MOTOR GASKET 17.5" (M14)
12	B1392635	VENT MOTOR GASKET 21" (M19)
42	0131F00006S	VENT MOTOR, SINGLE STAGE ROUND NOSE (M4, M9, M14, M19)
52	4010012S	FLUE COLLECTOR BOX KIT 14" (M4)
52	4010013S	FLUE COLLECTOR BOX KIT 14" (M9)
52	4010015S	FLUE COLLECTOR BOX KIT 17.5" (M14)
52	4010017S	FLUE COLLECTOR BOX KIT 21" (M19)

# Burner Box



# Burner Box

Ref. Part No: No:	Description:	Ref. Part No: No:	Description:
-------------------	--------------	-------------------	--------------

Image 1:

11	0130F00010	FLAME SENSOR
21	B1370145	ROLLOUT SWITCH 300 W/O BRACKET
51	B4022700	INSHOT BURNER ASSY 3" (QTY 2)
61	20165703S	IGNITOR
81	2513500	BURNER BRACKET 2B (M1, M2, M3, M4, M5)
81	2513501	BURNER BRACKET 3B (M6, M7, M8, M9, M10)
81	2513502	BURNER BRACKET 4B (M11, M12, M13, M14, M15)
81	2513503	BURNER BRACKET 5B (M16, M17, M18, M19, M20)
91	2514000	BURNER BOX SIDE (QTY 2)
101	4013010	BURNER BOX TOP 2 CL (M1, M2, M3, M4, M5)
101	4013011	BURNER BOX TOP 3 CL (M6, M7, M8, M9, M10)
101	4013012	BURNER BOX TOP 4 CL (M11, M12, M13, M14, M15)
101	4013013	BURNER BOX TOP 5 CL (M16, M17, M18, M19, M20)

## Expanded Model Nomenclature

M1 - GDS80453ANAA
M2 - GDS80453AXAA
M3 - GDS80453AXBA
M4 - GDS80453AXBB
M5 - GDS80453AXBC
M6 - GDS80703ANAA
M7 - GDS80703AXAA
M8 - GDS80703AXBA
M9 - GDS80703AXBB
M10 - GDS80703AXBC
M11 - GDS80904BNAA
M12 - GDS80904BXAA
M13 - GDS80904BXBA
M14 - GDS80904BXBB
M15 - GDS80904BXBC
M16 - GDS81155CNAA
M17 - GDS81155CXAA
M18 - GDS81155CXBA
M19 - GDS81155CXBB
M20 - GDS81155CXBC

