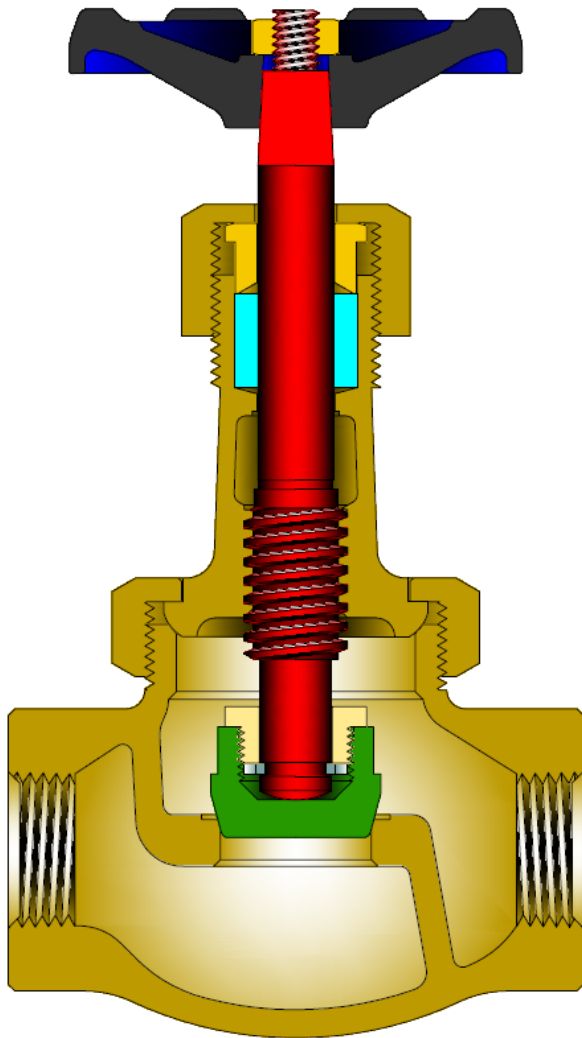


# MSS SP-80 GLOBE VALVES

UNION BONNET, THREADED ENDS  
 1/4 - 3" ( 6 - 75 mm) CLASSES 200 & 300  
 BRONZE



Class	Fig. No.
200	110
300	120

## STANDARD MATERIALS

PART	MATERIALS
Body	B61
Bonnet	B61
Bonnet Ring	B61
Disc	B61 or B371 C69400
Disc Locknut	B371 C69400
Horseshoe Ring	SS 303 or SS 304
Stem	B371 C69400
Packing Nut	B62
Gland	B16
Packing	Graphite
Hand Wheel	A47 Gr. 32510
Hand Wheel Nut	Brass
Wheel Plate	Aluminum

## Design Specifications

Item	Applicable Specification
Pressure - temperature ratings	MSS SP-80
General valve design	MSS SP-80
Thread design	ASME B1.20.1
Materials	ASTM

## DESIGN FEATURES:

- Plug type discs are held by a locknut.
- Integral seats have openings equal to nominal pipe size of valve.
- High-Tensile bronze alloy stem.
- Valves can be reground without being removed from the line.
- Each valve is shell and seat pressure tested per industry standard MSS SP-80.

## GLOBE VALVE DIMENSIONS (CLASSES 200 & 300)

SIZE	FIG 110 & 120					
	A	C	D	E	WT	CV
in mm					lb kg	
¼	2.25	4.0	0.25	2.5	0.9	0.6
6	57	102	6	64	0.4	
3/8	2.38	4.0	0.38	2.5	1.1	1.4
10	60	102	10	64	0.5	
½	2.63	4.6	0.50	2.8	1.5	2.5
13	67	117	13	70	0.7	
¾	3.25	5.5	0.75	3.3	2.7	5.8
20	83	140	19	83	1.2	
1	3.81	6.2	1.00	3.6	3.9	10.7
25	97	158	25	92	1.8	
1¼	4.38	6.8	1.25	4.1	5.7	17.1
32	111	171	32	103	2.6	
1½	4.88	7.7	1.50	4.8	8.8	25
40	124	196	38	121	4.0	
2	6.00	8.7	2.00	5.7	13.9	50
50	152	221	51	144	6.3	
2½	7.00	10.9	2.50	8.0	22.5	75
65	178	276	64	203	10.2	
3	7.88	12.1	3.00	9.0	36.3	110
75	200	308	76	229	16.4	

