

Thermal Actuator with adapter ring

Thermal Actuator for radiant heating and cooling systems instruction sheet

The Uponor Thermal Actuator, four-wire (A3023522) features a low, 1-watt power consumption and includes three adapter rings for compatibility with the following manifolds.

- Engineered Polymer (EP) Heating Manifold
- Stainless-steel Manifold
- TruFLOW™ Jr. Manifold
- TruFLOW Classic Manifold

Adapter rings



A2671300 (EP Heating Manifold Adapter Ring)

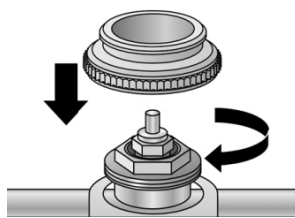


A2771060 (Stainless-steel Manifold Adapter Ring)

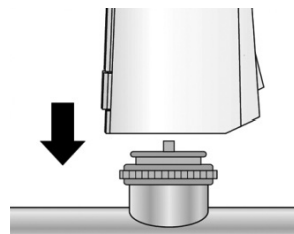


A2870100 (TruFLOW Manifold Adapter Ring)

Actuator installation



1. Thread the adapter ring onto the valve.

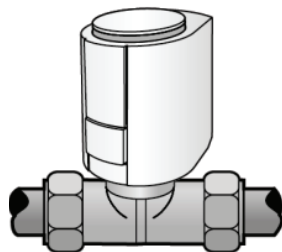


2. Place the actuator vertically on the adapter ring.

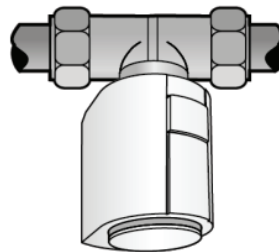


3. Press down vertically and snap the actuator onto the adapter ring.

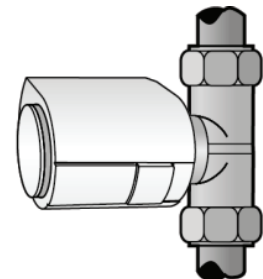
Actuator mounting



Vertical



Vertical (inverted)

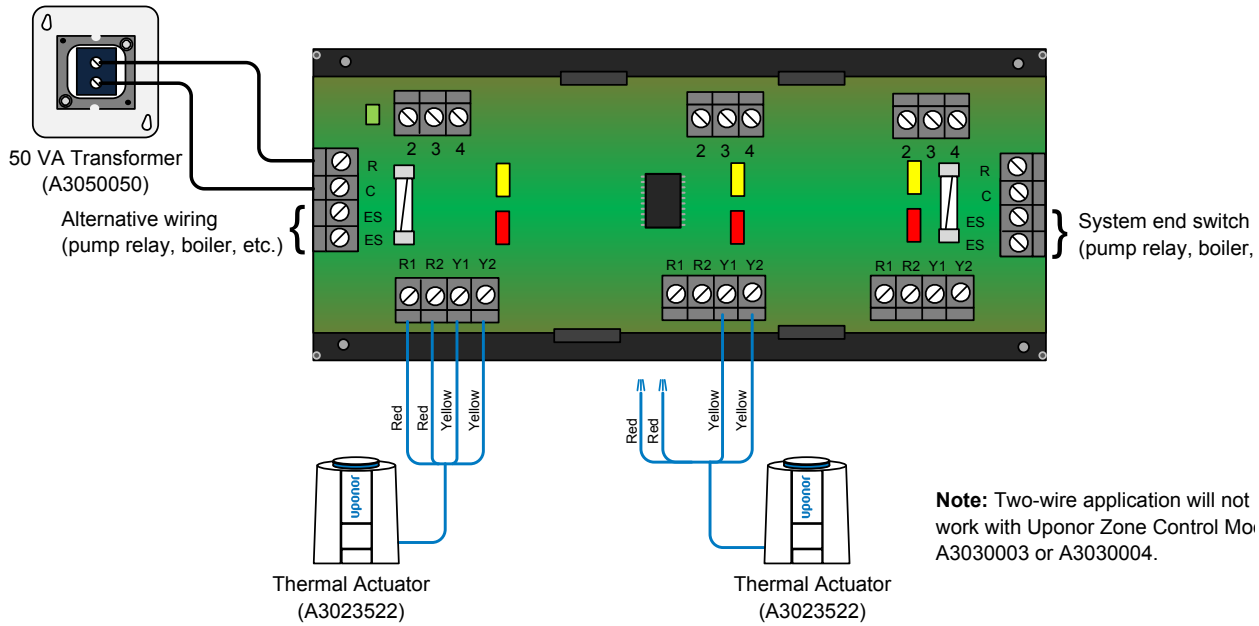


Horizontal

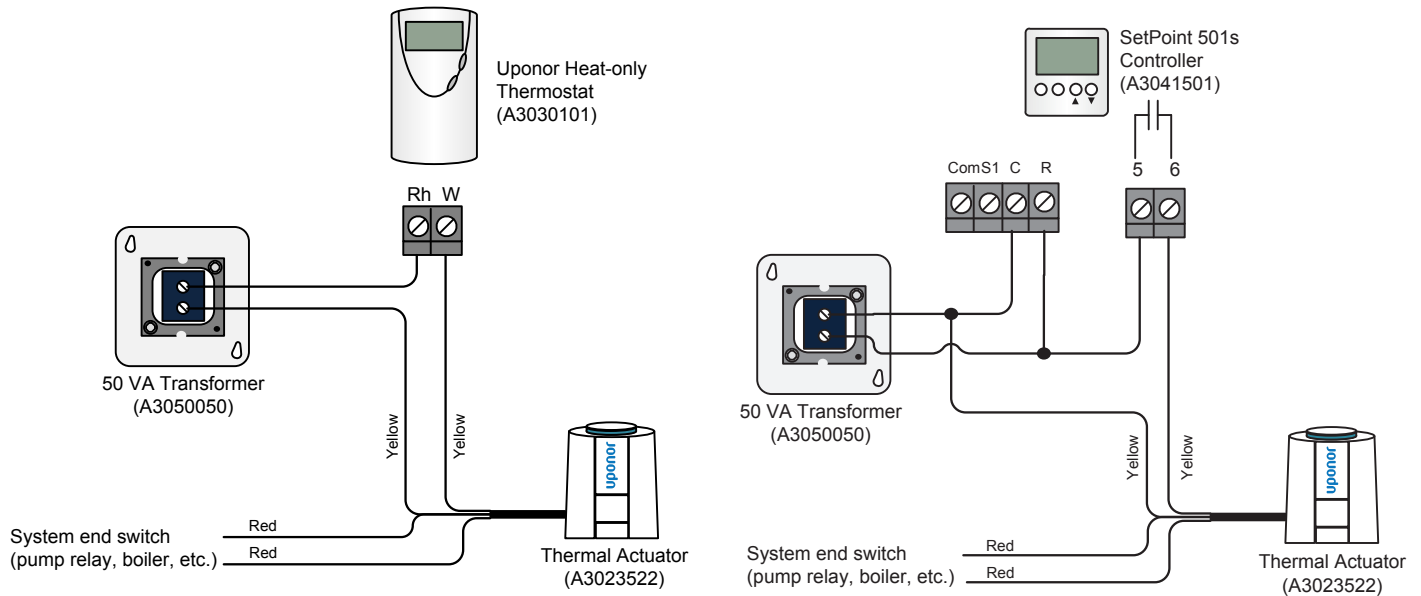
Install the actuator vertically or horizontally as shown above.

Note: The actuator is shipped locked partially open. To unlock, apply power for a minimum of 6 minutes. Failure to do so will allow flow through the loops.

Actuator wiring instructions to Uponor Zone Control Module (A3031003 or A3031004)



Actuator wiring instructions to Uponor heating thermostats



Specifications

Operating voltage: 24V AC/DC 60Hz
 Operating power: 1.0w
 Maximum inrush current: 300 mA for max. 2 min

End switch

Switching current: 24 vac 0.5A
 Ambient temperature: 32°F to 140°F (0°C to 60°C)
 Storage temperature: -13°F to 149°F (-25°C to 65°C)

Uponor Inc.
 5925 148th Street West
 Apple Valley, MN 55124
 USA

T 800.321.4739
 F 952.891.2008

Uponor Ltd.
 6510 Kennedy Road
 Mississauga, ON L5T 2X4
 CANADA

T 888.994.7726
 F 800.638.9517

uponor

uponorpro.com