

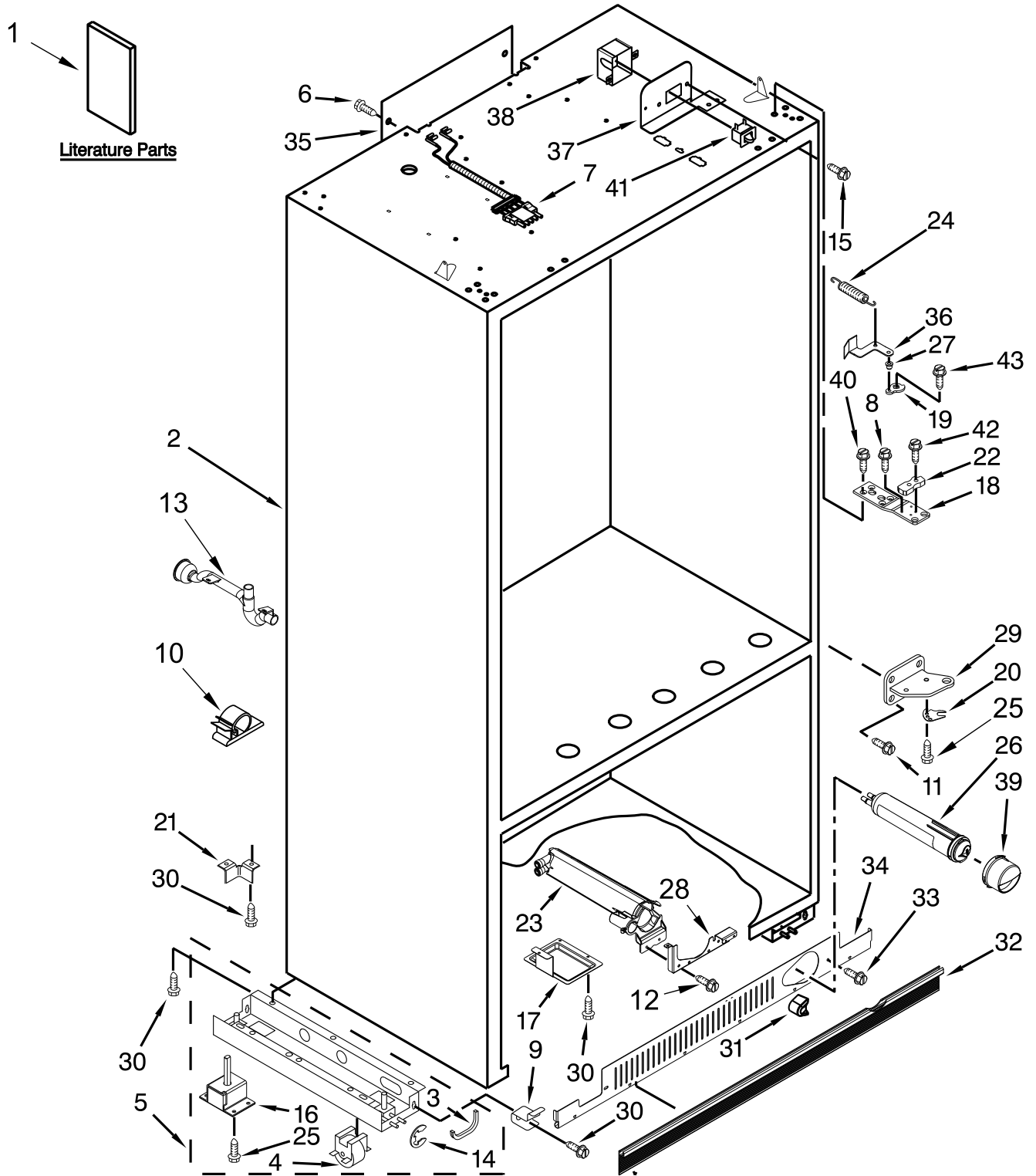
KitchenAid®

42" FRENCH DOOR BOTTOM MOUNT BUILT IN REFRIGERATOR

MODELS:

KBFN502ESS01 (Stainless Steel)

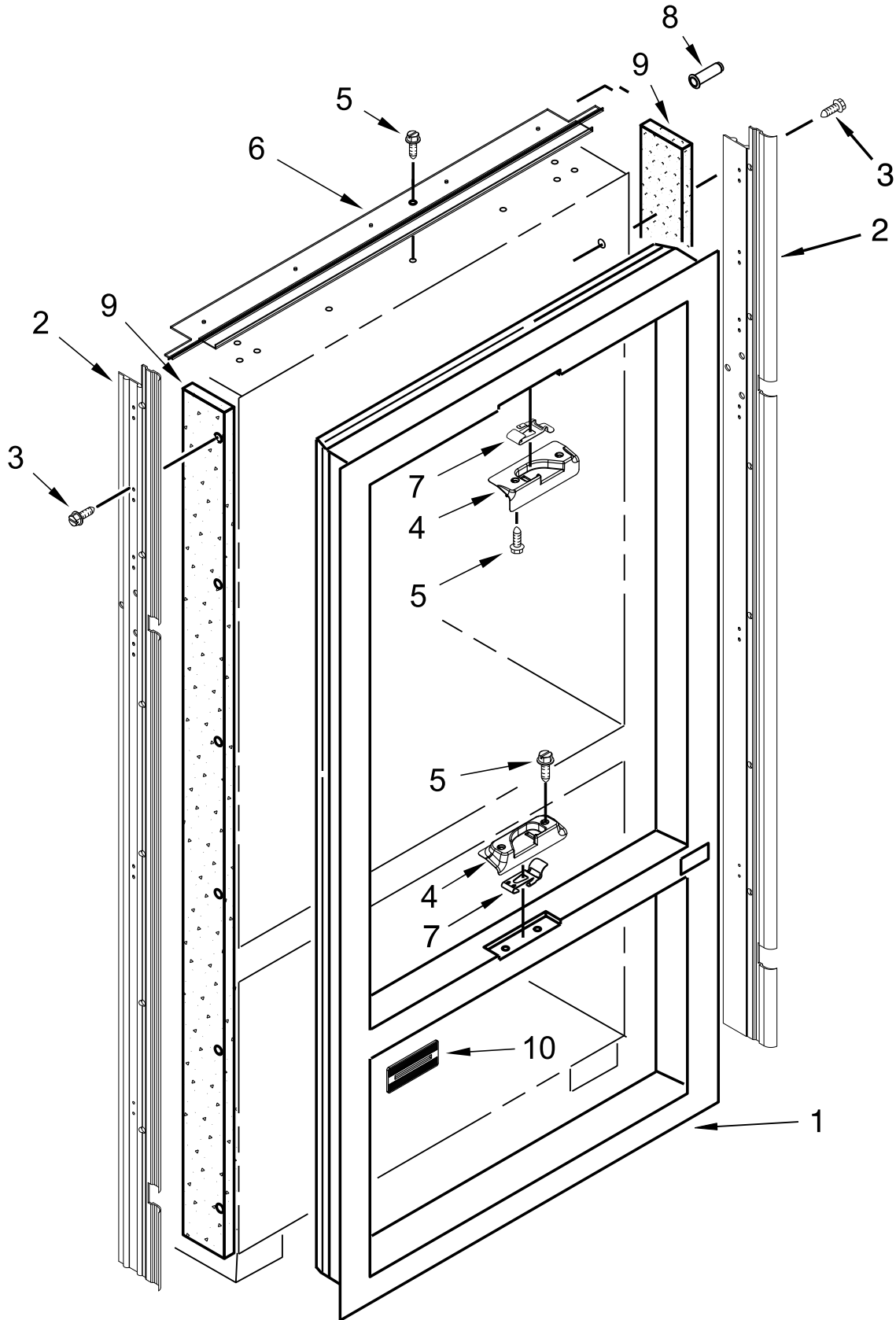
CABINET PARTS



CABINET PARTS

| <u>Illus.</u> <u>No.</u> | <u>Part No.</u> | <u>Description</u> | <u>Illus.</u> <u>No.</u> | <u>Part No.</u> | <u>Description</u> | <u>Illus.</u> <u>No.</u> | <u>Part No.</u> | <u>Description</u> |
|-----------------------------|-----------------|-------------------------------------|-----------------------------|-----------------|---------------------------------|-----------------------------|-----------------|-----------------------------|
| 1 | | Literature Parts | 12 | 8533928 | Screw | 31 | | Button, Water Filter |
| | W10721179 | Use and Care Guide | 13 | W10702350 | Tube, Drain | | 2260503B | Black |
| | W10600666 | Energy Guide | 14 | 2006841 | Ring, Retainer | 32 | | Skirt, Grille |
| | W10685561 | Wiring Diagram | 15 | 487415 | Screw | | W10188549 | Black |
| | W10721177 | Installation Instructions | 16 | 2005032 | Leveler, Adjustable | 33 | W10005050 | Screw |
| | W10600683 | Tech Sheet (English) | 17 | 2318189 | Tray, Filter Drip | 34 | W10189198 | Grille, Bottom |
| | W10717764 | Tech Sheet (French) | 18 | 2316759 | Hinge, Door (Top) | 35 | W10426957 | Assembly, Air Duct Cover |
| 2 | | Cabinet (Not Serviced) | 19 | 2320509 | Stop, Door | 36 | | Arm, Extension |
| 3 | 2307584 | Grommet, Crossover Tube | 20 | 2004994 | Lock, Bushing | | W10709785 | Left Hand |
| 4 | W10138054 | Assembly, Roller | 21 | 2006617 | Bracket, Base Support (Rear) | | W10728112 | Right Hand |
| 5 | | Assembly, Support Base | 22 | 2316758 | Stop, Door | 37 | | Bracket, Switch |
| | W10279275 | Left Hand | 23 | W10121140 | Housing, Water Filter | | W10741112 | Left Hand |
| | W10138423 | Right Hand | 24 | 2221242 | Spring, Door Closure (Green) | | W10741111 | Right Hand |
| 6 | 1163283 | Screw | 25 | 486194 | Screw | 38 | 2215938 | Cover, Switch |
| 7 | W10745694 | Assembly, Top Switch Jumper Wire | 26 | W10121146 | Filter, Water | 39 | | Cap, Water Filter |
| 8 | 8281164 | Screw (Stainless) | 27 | 2316859 | Bushing, Extension Arm | | W10797527 | Black |
| 9 | 2307640 | Bracket, Grill Mounting | 28 | W10674648 | Bracket, Filter | 40 | 8533913 | Screw |
| 10 | W10663352 | Clip | 29 | W10337505 | Hinge, Door (Center) | 41 | 1118894 | Switch, Rocker Arm |
| 11 | W10162602 | Screw | 30 | W10001250 | Screw | 42 | W10005070 | Screw |
| | | | | | | 43 | 8533980 | Screw |

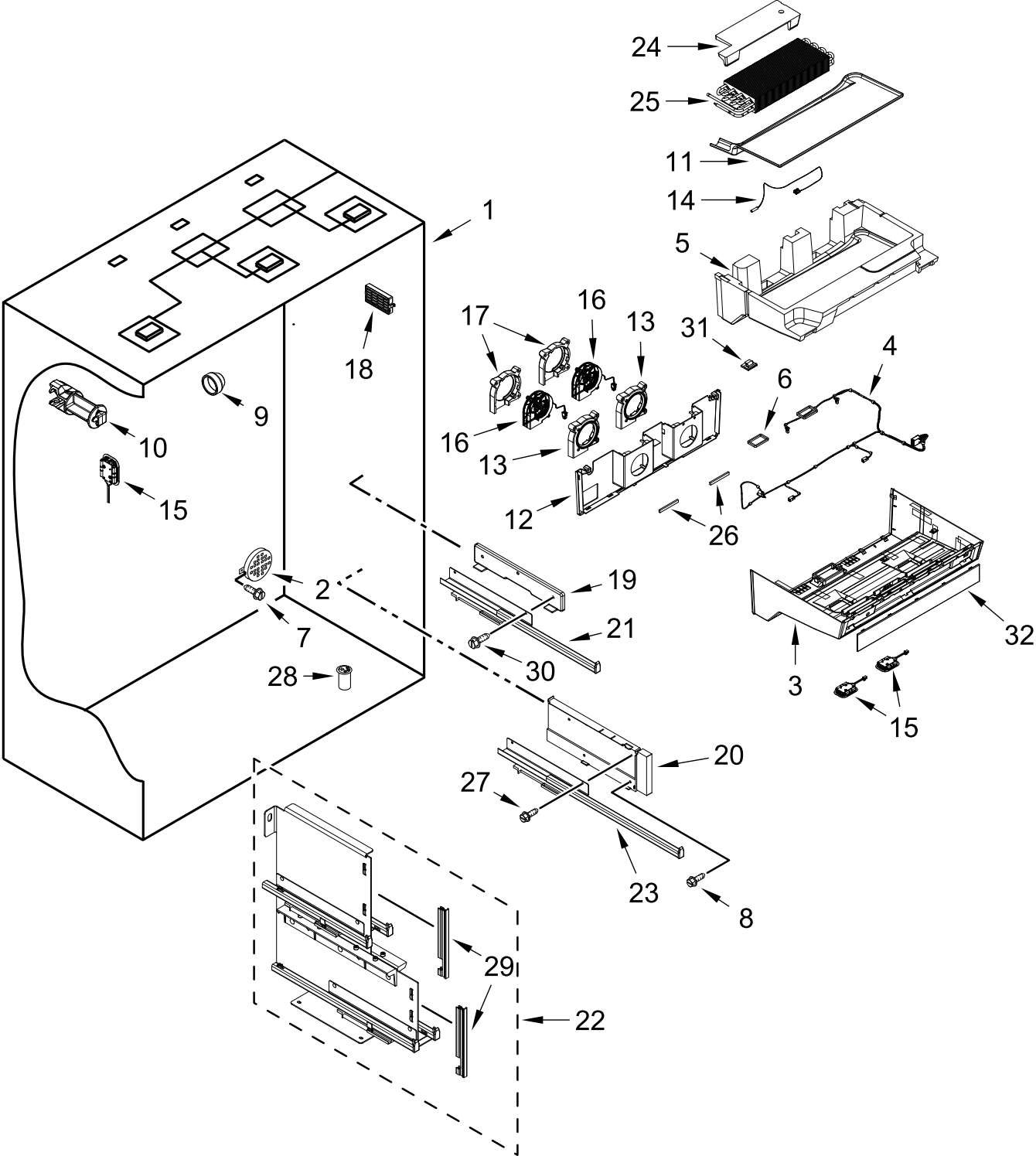
CABINET TRIM PARTS



CABINET TRIM PARTS

| <u>Illus.</u> <u>No.</u> | <u>Part No.</u> | <u>Description</u> | <u>Illus.</u> <u>No.</u> | <u>Part No.</u> | <u>Description</u> | <u>Illus.</u> <u>No.</u> | <u>Part No.</u> | <u>Description</u> |
|-----------------------------|-----------------|------------------------------|-----------------------------|-----------------|---------------------|-----------------------------|-----------------|------------------------|
| 1 | | Breaker, Trim (Not Serviced) | 4 | | Block, Pivot | 7 | | Contact, Mullion |
| 2 | | Assembly, Trim | | W10672300 | Top | | 2309230 | Top |
| | | Left Hand | | W10672302 | Bottom | | 2309231 | Bottom |
| | W10568007 | Aluminum | 5 | 486194 | Screw | 8 | W10121451 | Insert, Blind Threaded |
| | | Right Hand | 6 | | Trim, Cabinet (Top) | 9 | 2005925 | Seal, Side Trim |
| | W10568005 | Aluminum | | 2314017 | Aluminum | 10 | W10708610 | Cover, Hinge |
| 3 | W10141645 | Screw | | | | | | |

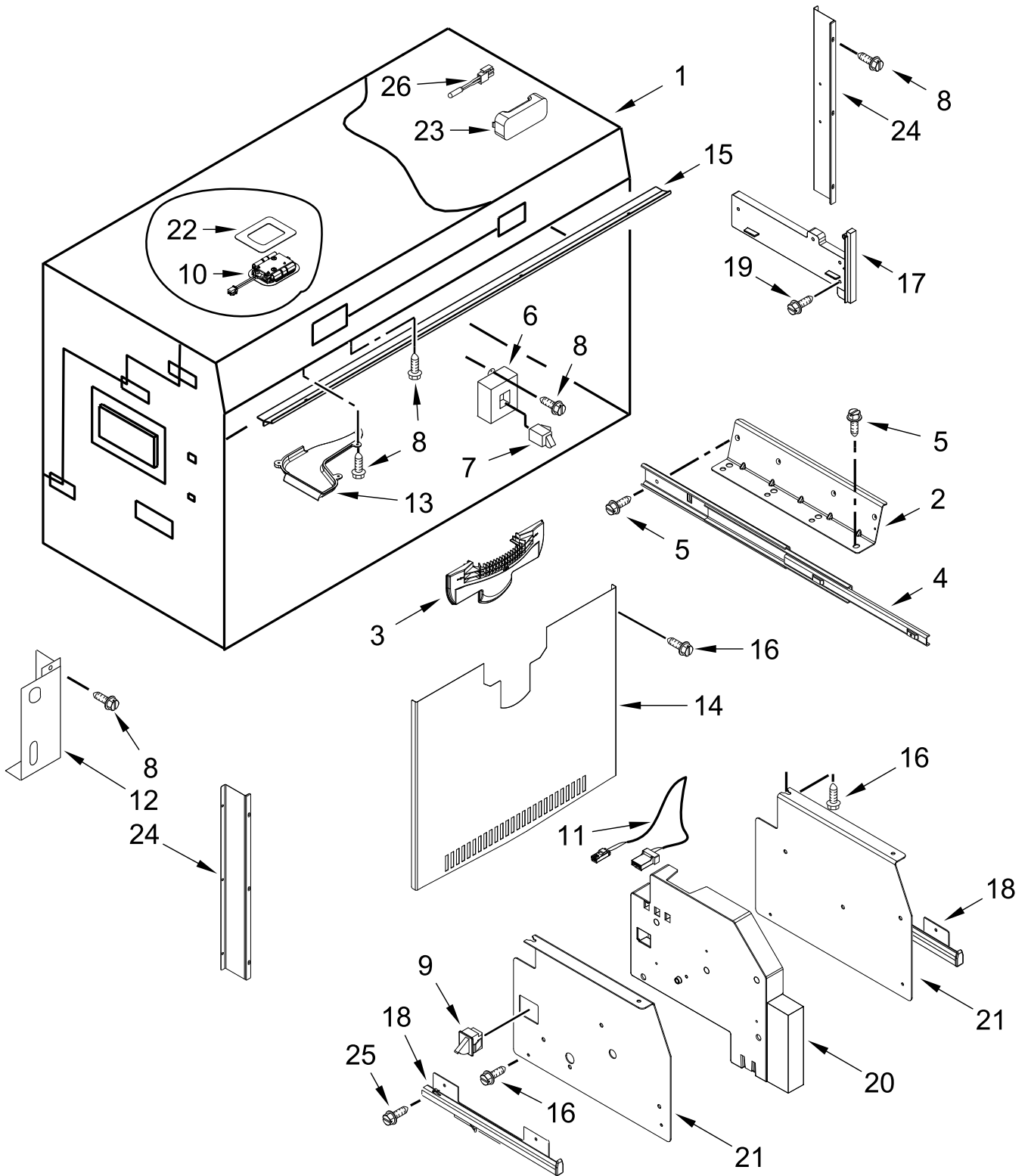
REFRIGERATOR LINER PARTS



REFRIGERATOR LINER PARTS

| <u>Illus.</u> <u>No.</u> | <u>Part No.</u> | <u>Description</u> | <u>Illus.</u> <u>No.</u> | <u>Part No.</u> | <u>Description</u> | <u>Illus.</u> <u>No.</u> | <u>Part No.</u> | <u>Description</u> |
|-----------------------------|-----------------|--|-----------------------------|-----------------|--------------------------------|-----------------------------|-----------------|-----------------------------------|
| 1 | | Liner, Refrigerator (Not Servicable) | 14 | W10667607 | Thermistor | 25 | W10552972 | Assembly, Evaporator |
| 2 | W10600588 | Cover, Air Return | 15 | W10607479 | Assembly, LED Module | 26 | W10740077 | Gasket, Evaporator Housing (Rear) |
| 3 | W10555476 | Cover, Evaporator | 16 | W10704104 | Fan, Icebox | 27 | 8533929 | Screw (Stainless) |
| 4 | W10565852 | Assembly, Evaporator Wire (Includes Evaporator Thermistor) | 17 | W10538317 | Housing, Fan (Rear) | 28 | W10608798 | Body, Valve Tube |
| 5 | W10555478 | Insulation, Evaporator (Lower) | 18 | W10315189 | Filter, Air | 29 | | Trim, Center Support |
| 6 | W10638137 | Gasket, Evaporator Outlet | 19 | W10569850 | Spacer, Crisper | | | Deli |
| 7 | 487539 | Screw (Stainless) | 20 | W10569847 | Left Hand | W10628280 | Grey | Crisper |
| 8 | W10215666 | Screw | 21 | W10569844 | Right Hand | W10604673 | Grey | |
| 9 | W10699426 | Support, Evaporator Assembly | | W10569887 | Left Hand | 30 | 8533928 | Screw |
| 10 | W10555493 | Clip, Evaporator Mounting | | W10569886 | Right Hand | 31 | W10741189 | Clip, Wiring |
| 11 | W10555480 | Shield, Evaporator Heat | 22 | W10585157 | Assembly, Center Support | 32 | W10776331 | Assembly, User Interface |
| 12 | W10555484 | Cover, Evaporator (Rear) | 23 | | Slide, Deli Pan | | | |
| 13 | W10538315 | Housing, Fan (Front) | | W10569892 | Left Hand | | | |
| | | | | W10569891 | Right Hand | | | |
| | | | 24 | W10555472 | Insulation, Evaporator (Upper) | | | |

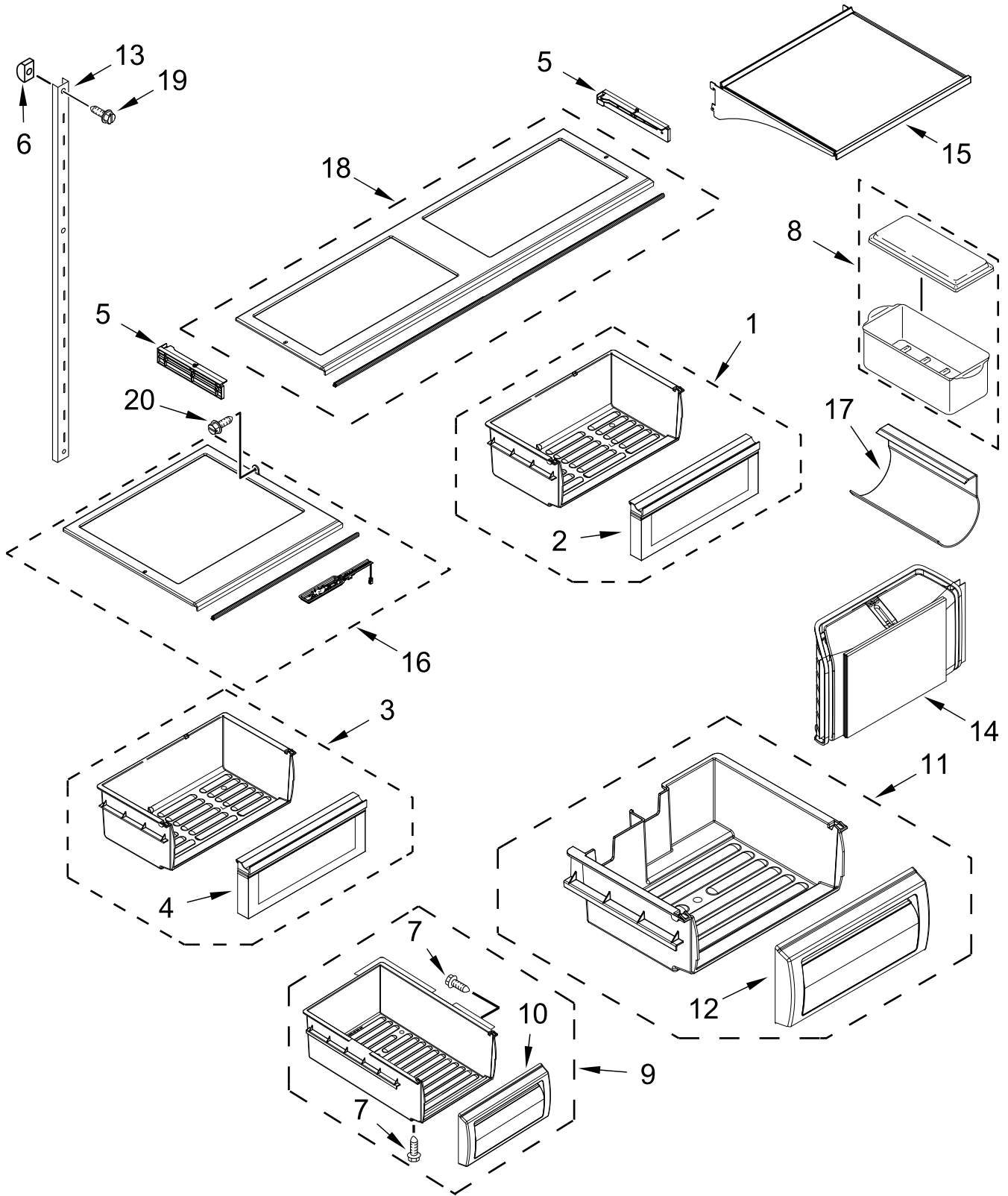
FREEZER LINER PARTS



FREEZER LINER PARTS

| <u>Illus.</u> <u>No.</u> | <u>Part No.</u> | <u>Description</u> | <u>Illus.</u> <u>No.</u> | <u>Part No.</u> | <u>Description</u> | <u>Illus.</u> <u>No.</u> | <u>Part No.</u> | <u>Description</u> |
|-----------------------------|-----------------|----------------------------------|-----------------------------|-----------------|---------------------------|-----------------------------|-----------------|---------------------------------|
| 1 | | Liner, Freezer (Not Servicable) | 12 | 2306187 | Cover, Wiring (Icemaker) | 19 | 488163 | Screw |
| 2 | | Support, Drawer Slide | 13 | W10578092 | Duct, Air Flow (Icemaker) | 20 | | Divider, Freezer |
| | W10744328 | Grey | 14 | | Cover, Evaporator | | W10600628 | Grey |
| 3 | | Grille, Freezer Air | | W10538104 | Grey | 21 | | Support, Slide |
| | W10541687 | Grey | 15 | W10710401 | Assembly, Air Deflector | | W10600630 | Left Hand |
| 4 | W10423551 | Slide, Freezer Basket | 16 | W10001160 | Screw (Stainless) | | W10600626 | Right Hand |
| 5 | W10061370 | Screw | 17 | | Spacer, Drawer Left Hand | 22 | W10672548 | Shim, LED |
| 6 | | Cover, Light Switch | | W10664384 | Grey Right Hand | 23 | W10609678 | Cover, Thermistor |
| | W10606833 | Grey | | W10664382 | Grey | 24 | W10532983 | Assembly, Evaporator Cover Rail |
| 7 | W10565415 | Switch, Light | 18 | | Slide, Freezer Bin | 25 | 488163 | Screw |
| 8 | 486194 | Screw | | 2306117 | Left Hand | 26 | W10280386 | Thermistor |
| 9 | W10565413 | Switch, Light | | 2306116 | Right Hand | | | |
| 10 | W10607479 | Assembly, LED Module | | | | | | |
| 11 | W10568445 | Assembly, Ice Bucket Switch Wire | | | | | | |

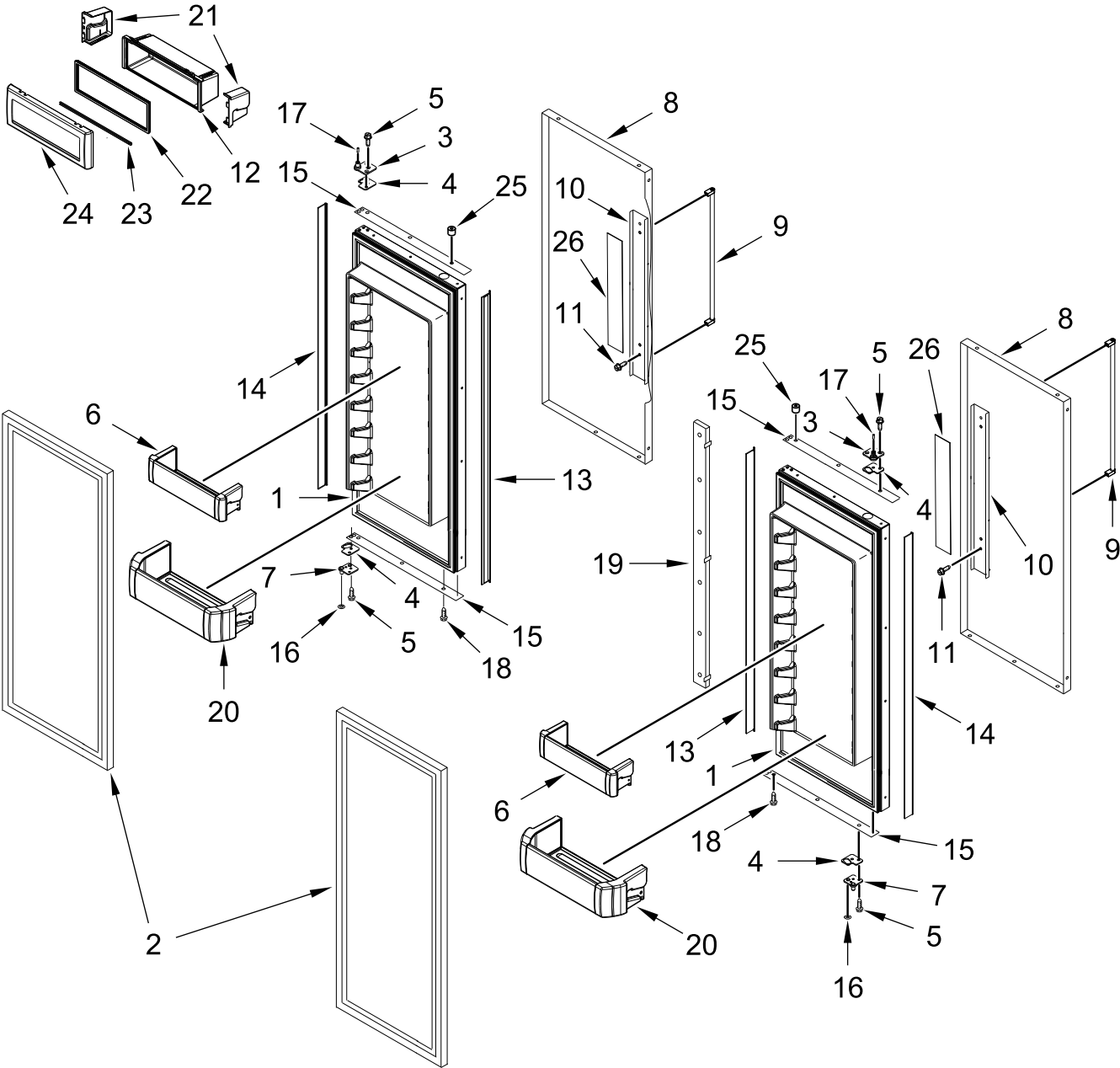
SHELF PARTS



SHELF PARTS

| <u>Illus.</u> <u>No.</u> | <u>Part No.</u> | <u>Description</u> | <u>Illus.</u> <u>No.</u> | <u>Part No.</u> | <u>Description</u> | <u>Illus.</u> <u>No.</u> | <u>Part No.</u> | <u>Description</u> |
|-----------------------------|-----------------|--------------------------------|-----------------------------|-----------------|--------------------------------|-----------------------------|-----------------|--------------------|
| 1 | W10529578 | Assembly, Crisper Pan | 8 | 2221071 | Assembly, Egg Bin | 15 | W10568583 | Assembly, Shelf |
| 2 | W10529563 | Assembly, Crisper Pan Front | 9 | W10600690 | Assembly, Ice Pan | 16 | | Cover, Deli Bin |
| 3 | W10529585 | Assembly, Deli Pan | 10 | W10600687 | Assembly, Ice Pan Front | | W10570403 | Left Hand |
| 4 | W10529567 | Assembly, Deli Pan Front | 11 | W10600700 | Assembly, Freezer Pan | | W10570404 | Right Hand |
| 5 | | Support, Crisper Cover | 12 | W10600696 | Assembly, Freezer Pan Front | 17 | W10701859 | Rack, Wine |
| | | Left Hand | 13 | | Ladder, Shelf | 18 | W10578274 | Cover, Crisper |
| | W10569854 | Grey | | | Side | 19 | W10808291 | Screw |
| | | Right Hand | | W10633565 | Grey | 20 | | Screw |
| | W10569853 | Grey | | | Center | | 8533950 | Meteorite |
| 6 | 520965 | Support, Ladder | | W10633566 | Grey | | | |
| 7 | 488886 | Screw | 14 | W10593207 | Assembly, Produce Preserver | | | |

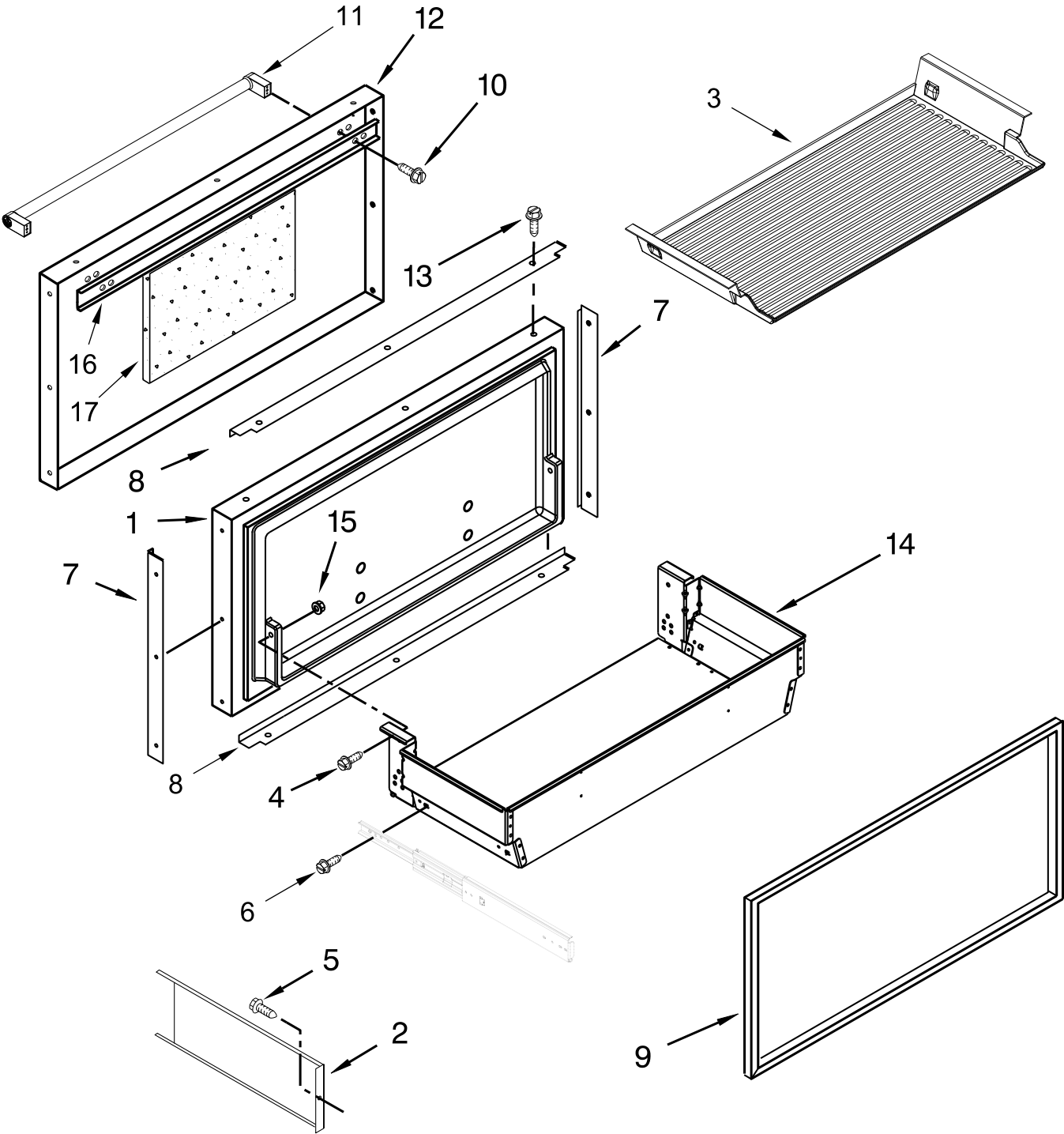
REFRIGERATOR DOOR PARTS



REFRIGERATOR DOOR PARTS

| <u>Illus.</u> <u>No.</u> | <u>Part No.</u> | <u>Description</u> | <u>Illus.</u> <u>No.</u> | <u>Part No.</u> | <u>Description</u> | <u>Illus.</u> <u>No.</u> | <u>Part No.</u> | <u>Description</u> |
|-----------------------------|-----------------|---|-----------------------------|-----------------|------------------------------------|-----------------------------|-----------------|-------------------------|
| 1 | | Door, Refrigerator (Includes Item 2) | 8 | | Skin, Door | 19 | W10732108 | Assembly, Mullion |
| | W10796466 | Left Hand | | W10541583 | Stainless | 20 | W10529544 | Bin, Door (Gallon) |
| | W10600634 | Right Hand | 9 | | Handle, Door | 21 | | Cap, Utility Bin End |
| 2 | | Gasket, Door | | W10541592 | Stainless | | W10769396 | Left Hand |
| | W10600741 | Grey | 10 | W10127710 | Plate, Handle Door | | W10768113 | Right Hand |
| 3 | 2320642 | Assembly, Top Hinge | 11 | 308544 | Screw | 22 | W10578284 | Gasket, Utility Bin |
| 4 | 2316804 | Spacer, Door Hinge Bottom | 12 | W10578281 | Bin, Utility | 23 | W10608799 | Rail, Utility Lid |
| 5 | W10162602 | Screw | 13 | W10600736 | Spacer, Door Edge (Handle Side) | 24 | W10600702 | Lid, Utility |
| 6 | W10529548 | Bin, Door (Shallow) | 14 | W10600734 | Spacer, Door Edge (Hinge Side) | 25 | 2005433 | Spacer, Door Skin (Top) |
| 7 | | Assembly, Bottom Hinge | 15 | W10600732 | Spacer, Door (Top/ Bottom) | 26 | 2309218 | Filler, Foam |
| | W10273369 | Left Hand | 16 | 2006346 | Washer, Extension Arm | | | |
| | W10273367 | Right Hand | 17 | 2316760 | Bushing, Door Stop | | | |
| | | | 18 | 8281250 | Screw (Stainless) | | | |

FREEZER DOOR AND BASKET PARTS



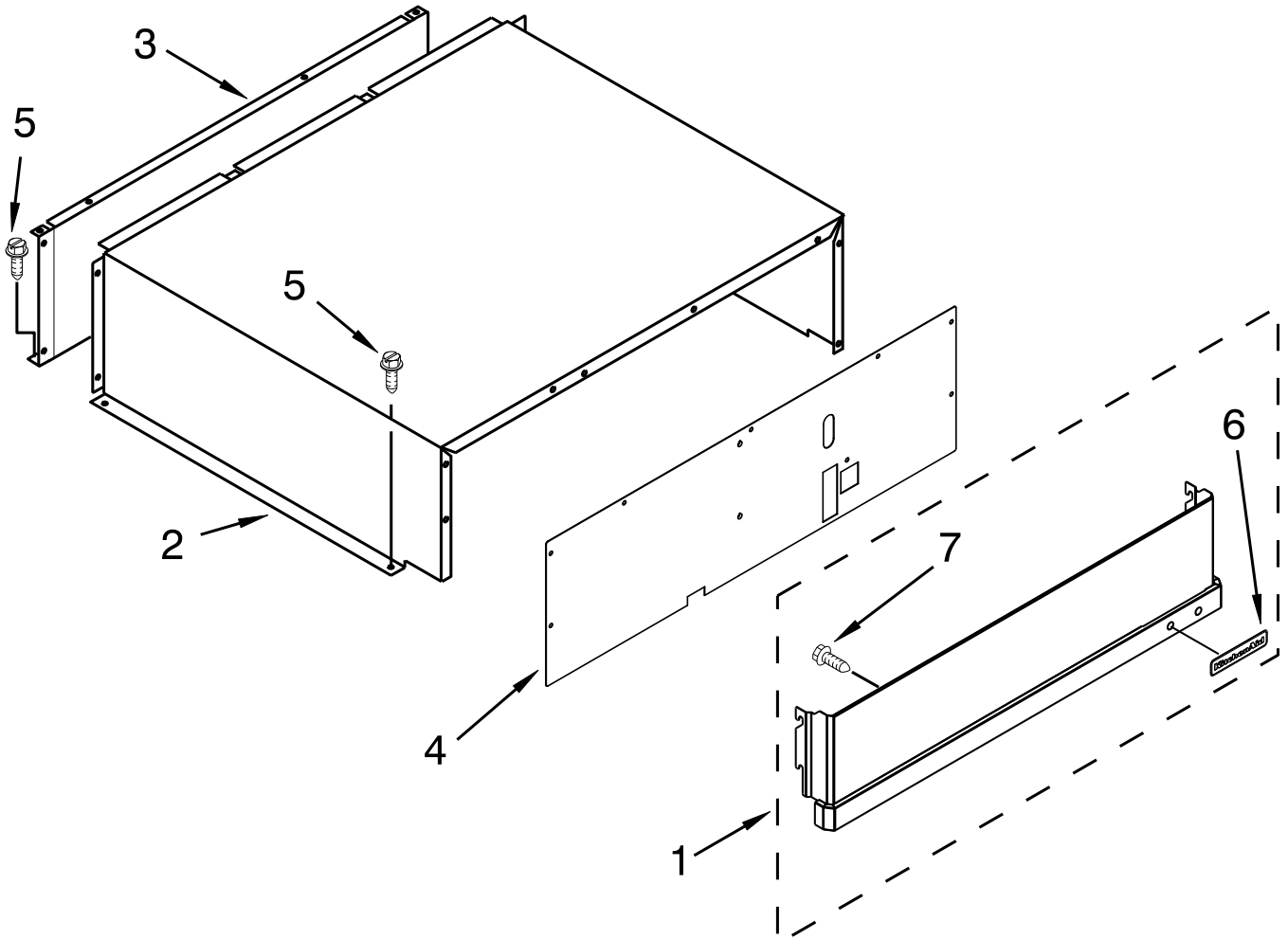
FREEZER DOOR AND BASKET PARTS

| <u>Illus. No.</u> | <u>Part No.</u> | <u>Description</u> |
|-------------------|-----------------|------------------------------------|
| 1 | W10570168 | Door, Freezer (Includes Item 9) |
| 2 | W10600711 | Divider, Basket |
| 3 | | Mat, Basket |
| | W10665413 | Grey |
| 4 | W10761334 | Screw |
| 5 | W10135792 | Screw |
| 6 | W10109030 | Screw |

| <u>Illus. No.</u> | <u>Part No.</u> | <u>Description</u> |
|-------------------|-----------------|---------------------------------------|
| 7 | W10600723 | Spacer, Door Edge (Side) |
| 8 | W10600721 | Spacer, Door Edge (Top and Bottom) |
| 9 | | Gasket, Door |
| | W10600725 | Grey |
| 10 | 308544 | Screw |
| 11 | | Handle, Door |
| | W10541591 | Stainless |

| <u>Illus. No.</u> | <u>Part No.</u> | <u>Description</u> |
|-------------------|-----------------|-----------------------------|
| 12 | | Skin, Door |
| | W10541580 | Stainless |
| 13 | 8281250 | Screw (Stainless) |
| 14 | W10770921 | Assembly, Freezer Basket |
| 15 | W10771111 | Nut |
| 16 | W10127710 | Plate, Handle Door |
| 17 | 2309219 | Filler, Foam |

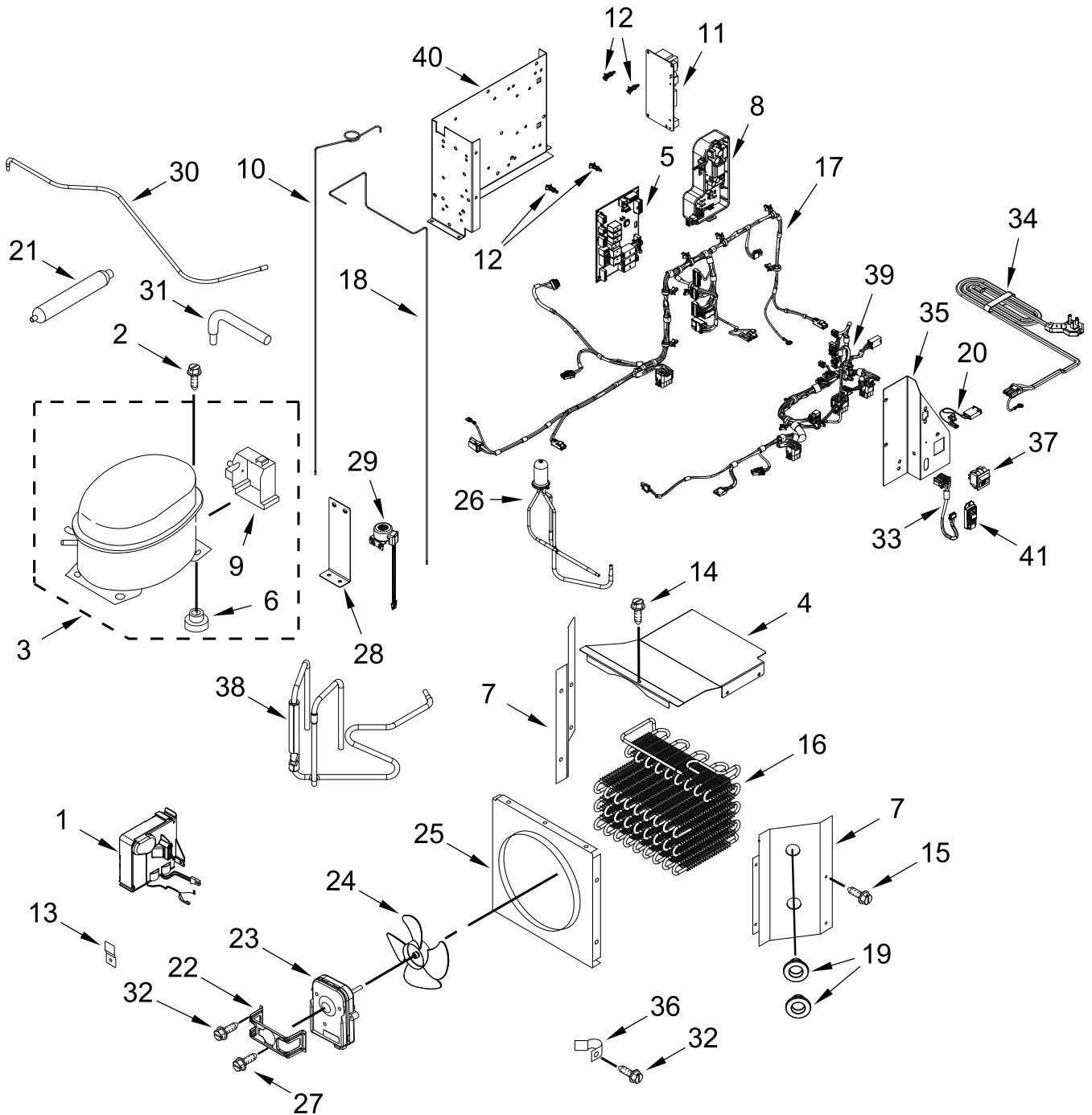
TOP GRILLE AND UNIT COVER PARTS



TOP GRILLE AND UNIT COVER PARTS

| <u>Illus.</u> <u>No.</u> | <u>Part No.</u> | <u>Description</u> | <u>Illus.</u> <u>No.</u> | <u>Part No.</u> | <u>Description</u> | <u>Illus.</u> <u>No.</u> | <u>Part No.</u> | <u>Description</u> |
|-----------------------------|-----------------|----------------------|-----------------------------|-----------------|--------------------|-----------------------------|-----------------|--------------------|
| 1 | | Assembly, Top Grille | 3 | 2256466 | Panel, Unit Back | 6 | | Nameplate |
| | W10645404 | Stainless | 4 | W10694113 | Cover, Unit Front | | W10518672 | Grey |
| 2 | W10545068 | Cover, Unit | 5 | 1157158 | Screw | 7 | 489399 | Screw |

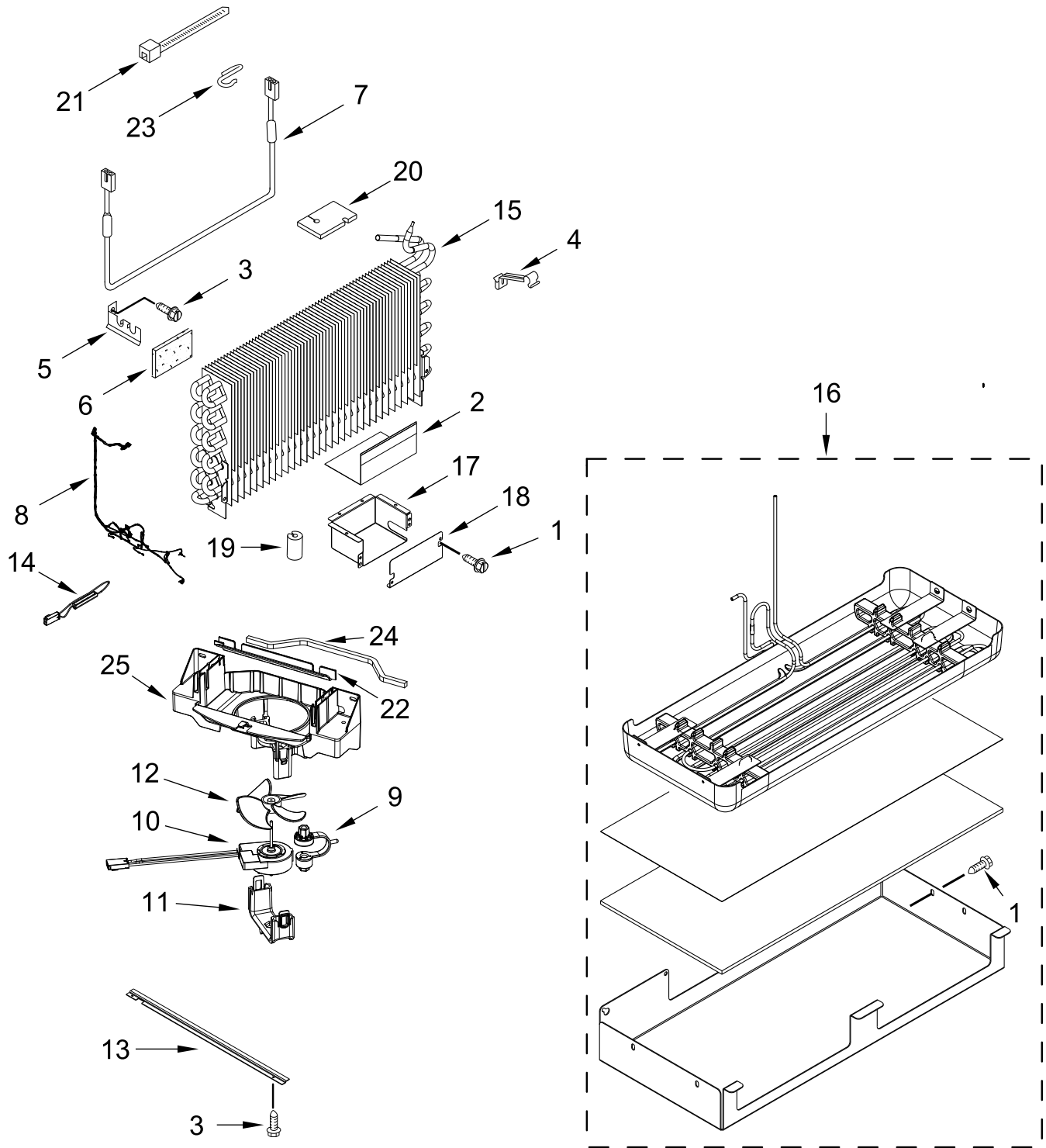
UPPER UNIT PARTS



UPPER UNIT PARTS

| <u>Illus. No.</u> | <u>Part No.</u> | <u>Description</u> | <u>Illus. No.</u> | <u>Part No.</u> | <u>Description</u> | <u>Illus. No.</u> | <u>Part No.</u> | <u>Description</u> |
|-------------------|-----------------|---|-------------------|-----------------|--|-------------------|-----------------|---------------------------------|
| 1 | W10721030 | Assembly, Inverter Box | 17 | W10565844 | Assembly, HV Wire | 35 | W10625531 | Bracket, Control Assembly |
| 2 | 489473 | Screw | 18 | W10720080 | Tube, Heat Loop | 36 | 549193 | Clamp, Power Cord |
| 3 | W10183959 | Compressor | 19 | W10587113 | Grommet | 37 | 2266802 | Switch, Power Disconnect |
| 4 | W10525175 | Cover, Condenser Support | 20 | 2310195 | Assembly, Jumper Wire (Power Switch to Power Cord) | 38 | W10545389 | Assembly, Suction Tube |
| 5 | W10739408 | Control, Electronic | 21 | W10704381 | Drier | 39 | W10565841 | Assembly, LV Wire |
| 6 | 2183042 | Grommet | 22 | W10414681 | Bracket, Fan Motor | 40 | W10550831 | Housing, Control Board Mounting |
| 7 | | Support, Condenser | 23 | W10527155 | Motor, Condenser Fan | 41 | W10635338 | Sensor, Humidity |
| | W10525177 | Left Hand | 24 | W10139483 | Blade, Fan | | | Following Parts Not Illustrated |
| | W10525179 | Right Hand | 25 | W10415670 | Orifice, Fan | | 978025 | Valve, Access |
| 8 | W10640411 | Assembly, LED Power Supply and Driver Enclosure | 26 | W10545670 | Assembly, Valve Body | | 978026 | Valve, Access |
| 9 | 2215676 | Cover, Terminal | 27 | W10146359 | Screw | | 978027 | Valve, Access |
| 10 | W10720079 | Tube, Discharge/Drain Pan Heater | 28 | W10544999 | Bracket, 3 Way Valve | | 978028 | Valve, Access |
| 11 | W10624574 | Supply, Power | 29 | W10364560 | Coil, 3 Way Valve | | 978029 | Valve, Access |
| 12 | 2203075 | Spacer | 30 | W10555310 | Tube, Condenser/Drier | | 978030 | Valve, Access |
| 13 | 2256328 | Bracket, Inverter Mounting | 31 | W10528578 | Tube, Process | | 876764 | Valve, Access |
| 14 | 487415 | Screw | 32 | 486194 | Screw | | | REFRIGERANT CHARGE |
| 15 | 1157158 | Screw | 33 | W10625259 | Assembly, Humidity Sensor Wire | | | 5.00 oz. (R-134A) |
| 16 | W10591457 | Condenser | 34 | 2310196 | Cord, Power | | | |

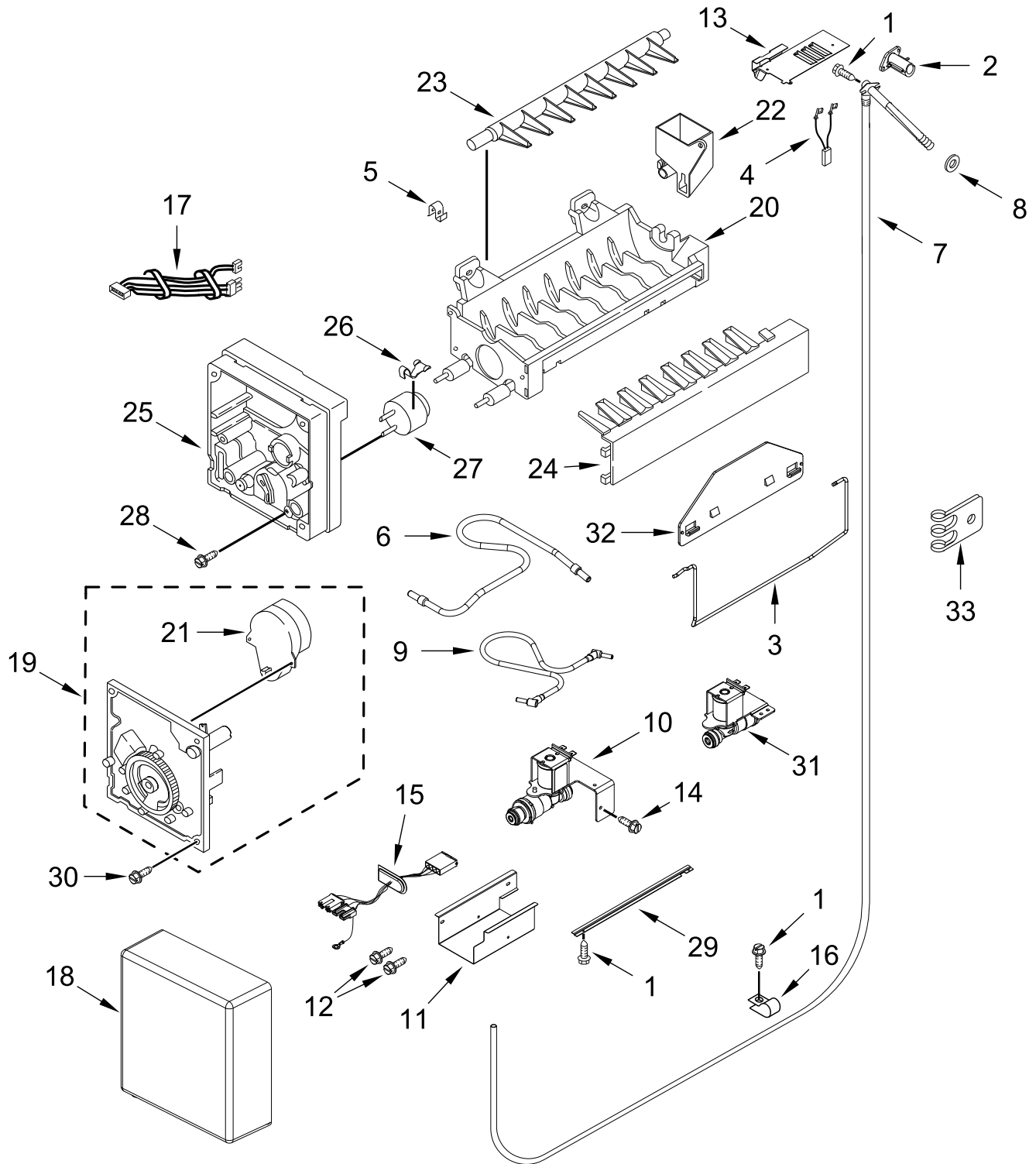
LOWER UNIT AND TUBE PARTS



LOWER UNIT AND TUBE PARTS

| <u>Illus.</u> <u>No.</u> | <u>Part No.</u> | <u>Description</u> | <u>Illus.</u> <u>No.</u> | <u>Part No.</u> | <u>Description</u> | <u>Illus.</u> <u>No.</u> | <u>Part No.</u> | <u>Description</u> |
|-----------------------------|-----------------|--|-----------------------------|-----------------|-------------------------------|-----------------------------|-----------------|-----------------------------------|
| 1 | 304392 | Screw | 10 | W10556724 | Motor, Fan | 19 | 2319835 | Grommet, Condenser |
| 2 | W10321050 | Shelf, Wiring Cover | 11 | 12956601 | Clip, Fan Motor | 20 | W10703410 | Block, Evaporator Water Filter |
| 3 | 486194 | Screw | 12 | 2200509 | Blade, Fan | 21 | 2155774 | Tie, Wire |
| 4 | 2307944 | Clip, Evaporator Heater | 13 | 2320554 | Support, Drain Pan | 22 | W10567169 | Diverter, Air Shroud |
| 5 | 2307945 | Bracket, Evaporator Heater Mounting | 14 | W10602825 | Assembly, Fuse Jumper Wire | 23 | 2317920 | Clip, Defrost Heater |
| 6 | 2169104 | Sealer, Insulation | 15 | W10524054 | Assembly, Evaporator | 24 | W10762685 | Gasket |
| 7 | W10524056 | Heater, Defrost | 16 | W10735008 | Assembly, Drain Pan | 25 | W10803566 | Shroud, Evaporator Fan |
| 8 | | Assembly, Freezer Wire (Not Serviced) | 17 | W10321048 | Cover, Wire Box | | | |
| 9 | 12951101 | Grommet, Fan Motor | 18 | W10309012 | Cover, Wiring | | | |

ICE MAKER PARTS



ICE MAKER PARTS

| <u>Illus. No.</u> | <u>Part No.</u> | <u>Description</u> | <u>Illus. No.</u> | <u>Part No.</u> | <u>Description</u> | <u>Illus. No.</u> | <u>Part No.</u> | <u>Description</u> |
|-------------------|-----------------|---------------------------------|-------------------|-----------------|---|-------------------|-----------------|-----------------------------------|
| 1 | 486194 | Screw | 13 | 2221231 | Shield, Heat | 25 | 2195914 | Support, Housing |
| 2 | 2221240 | Heater, Fill Tube | 14 | 304392 | Screw | 26 | 2315522 | Retainer, Thermostat |
| 3 | W10889530 | Arm, Shut Off | 15 | W10565837 | Assembly, Water Valve Wire | 27 | 627985 | Thermostat |
| 4 | W10482373 | Assembly, Fill Tube Heater Wire | 16 | 489348 | Clamp, Tube | 28 | W10001280 | Screw |
| 5 | 628379 | Clip, Thermal Fuse | 17 | W10508673 | Assembly, Ice Maker Wire | 29 | 2320559 | Support, Valve |
| 6 | W10619899 | Tube, Filter Inlet | 18 | W10289690 | Cover, Icemaker | 30 | 489276 | Screw |
| 7 | 2317847 | Assembly, Water Inlet Tube | 19 | 626691 | Assembly, Module and Motor | 31 | W10578757 | Valve, Isolation (No Flow Washer) |
| 8 | 1106508 | Gasket, Seal | 20 | 628228 | Assembly, Mold and Heater (Also Order 542638) | 32 | 2304353 | Extension, Shut Off Arm |
| 9 | W10635851 | Tube, Filter Outlet | 21 | | Motor (Not Available, Order #19) | 33 | 2208136 | Clip, Water Tube |
| 10 | W10574769 | Valve, Solenoid | 22 | W10392442 | Cup, Water Fill | 100 | W10645967 | Assembly, Complete Icemaker |
| 11 | W10619291 | Shield, Valve Electrical | 23 | 627843 | Ejector | | | |
| 12 | W10001250 | Screw | 24 | W10699925 | Stripper, Ice | | | |

OPTIONAL PARTS

PAINT, TOUCH-UP (1/2OZ.)

| <u>Illus.</u> <u>No.</u> | <u>Part No.</u> | <u>Description</u> |
|-----------------------------|-----------------|-------------------------|
| | 72017 | White |
| | 72032 | Black |
| | 511873 | White Porcelain (2 oz.) |
| | 4392899 | Biscuit/Bisque |

PAINT, PRESSURIZED SPRAY (12 OZ.)

| <u>Illus.</u> <u>No.</u> | <u>Part No.</u> | <u>Description</u> |
|-----------------------------|-----------------|--------------------|
| | 350930 | White |
| | 350939 | Enamel, Black |
| | 285006 | Black |
| | 350942 | White Primer |
| | 4392901 | Biscuit/Bisque |

PAINT, BULK (1 QT.)

| <u>Illus.</u> <u>No.</u> | <u>Part No.</u> | <u>Description</u> |
|-----------------------------|-----------------|--------------------|
| | 799344 | White (Uncut) |

MISCELLANEOUS

| <u>Illus.</u> <u>No.</u> | <u>Part No.</u> | <u>Description</u> |
|-----------------------------|-----------------|---|
| | 212643 | Sealer, Gum (4 Feet) |
| | 479502 | Tape, Vinyl (3/4 x 108") |
| | 876370 | Insulation (2 Pieces, 3" x 24" x 48") |
| | 876305 | Insulation Kit (14 Pieces, 3" x 24" x 48") |
| | 978941 | Insulation, Fiberglass (63 1/2" x 35 1/2" x 2 5/8") |
| | 876029 | Kit, Foam Slab (30" x 32 1/2" x 1 1/2") |
| | 505587 | Sealer, Mastic (1 Qt) |
| | 503695 | Cork, Sealer |
| | 20000008 | Cleaner, Stainless Steel |
| | 542638 | Grease, Silicone (1/2 Oz.) |
| | 542639 | Cement, Alumilastic (1 1/4 Oz.) |
| | 833938 | Kit, Terminal Connector |
| | 8003RP | Kit, Water Inlet |

TORX SCREW WRENCH

| <u>Illus.</u> <u>No.</u> | <u>Part No.</u> | <u>Description</u> |
|-----------------------------|-----------------|--------------------|
| | 1117510 | Torx Key |