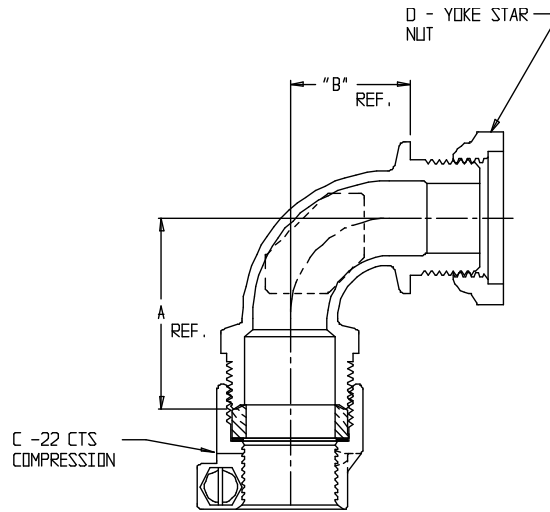


SUBMITTAL DATA SHEET

NL Service Fitting – 74779Y-22

-22 CTS Compression x Yoke Star Nut



MODEL	SIZE	A	B	C	D
74779Y-22	3/4 X 01	1.91	1.20	3/4	5/8
74779Y-22	1 X 01	1.88	1.38	1	5/8
74779Y-22	1 1/4 X 01	2.26	1.56	1 1/4	5/8
74779Y-22	3/4 X 02	1.91	1.20	3/4	5/8 X 3/4 OR 3/4
74779Y-22	1 X 02	1.88	1.38	1	5/8 X 3/4 OR 3/4
74779Y-22	1 1/4 X 02	2.26	1.56	1 1/4	5/8 X 3/4 OR 3/4
74779Y-22	1 X 04	2.26	1.39	1	1
74779Y-22	1 1/4 X 04	2.36	1.39	1 1/4	1

SUBMITTAL INFORMATION

- Manufactured in compliance with ANSI/AWWA C800 (latest revision)
- Brass components in contact with potable water conform to ASTM B584, UNS C89833 (latest revision) and identified with "NL"
- Certified to NSF/ANSI 61 and NSF/ANSI 372
- Brass components not in contact with potable water conform to ASTM B62 and ASTM B584, UNS C83600 -85-5-5-5 (latest revision)
- Large wrench flats provided for proper installation
- Insert stiffeners required for all flexible plastic connections



A.Y. McDonald Mfg. Co.
P.O. Box 508
Dubuque, IA 52004-508

Toll Free: 1-800-292-2737
Fax: 1-800-832-9296
Hours: 7:00 a.m. – 5:00 p.m., CST

sales@aymcdonald.com
www.aymcdonald.com

A.Y. McDonald considers the information on this assembly drawing correct when published. Item and option availability, including specifications, are subject to change without notice.