



RACA14

Parts List
01-May-2018



*This parts list is current as of the above revision date.
See <http://www.rheempartslists.net/92-42801-RACA14.pdf> for the current revision.*

Package Air Conditioners

Table of Contents

Model Explanation	Page 3
Parts Numbers	
Panels - Miscellaneous 024-036	Page 4
Panels - Miscellaneous 042-060	Page 5
Electrical Group (1)	Page 6
Electrical Group (2)	Page 7
Fan Group	Page 8
Blower Group	Page 9
Coil Parts (1)	Page 10
Coil Parts (2)	Page 11
Compressor Group	Page 12
Heater Kits	Page 13
Accessories	Page 13
Drawings/Photographs	
Exploded View	Page 14
Control Access Panel, Evap Coil	Page 15
Evaporator Coil	Page 15
Electrical Control Box (1)	Page 16
Electrical Control Box (2)	Page 17
Bushings - Bulkhead Wiring	Page 18
Blower Assembly	Page 19
Coil Frames, Drainpan	Page 20
Condenser Coil 2 Ton	Page 21
Condenser Coil 2.5 - 3 Ton	Page 22
Condenser Coil 3.5 - 4 - 5 Ton	Page 23
Compressor and Refrigeration Components	Page 24
Limit Control - Blower Shelf	Page 25
Evaporator Coil Gaskets	Page 26
Heater Mounting - Panels	Page 27
Notes	Page 28

MODEL NUMBER EXPLANATION

R	A	C	A	1	4	0	3	6	A	J	D	05	1	A	A	-
(1)	(2)	(3)	(4)	(5)				(6)	(7)	(8)	(9)	(10)	(11)	(12)	(13)	

(1) TRADENAME IDENTIFICATION

(2) PRODUCT CLASSIFICATION

AC = Package Air Conditioner

(3) CABINET TYPE

A = Residential Package

(4) SERIES

14 = 14 SEER

(5) COOLING CAPACITY (Ton)

024 = 2 ton 042 = 3.5 ton
 030 = 2.5 ton 048 = 4 ton
 036 = 3 ton 060 = 5 ton

(6) MAJOR SERIES

(7) ELECTRICAL DESIGNATION

J = 208/230V - 1 PH - 60 HZ
 C = 208/230V - 3 PH - 60 HZ
 D = 460V - 3 PH - 60 HZ
 Y = 575 - 3 PH - 60 HZ
 S = 200V - 1 PH - 50 HZ
 T = 220/240V - 1 PH - 50 HZ
 P = 200/220V - 3 PH - 50 HZ
 N = 380/415V - 3 PH - 50 HZ
 V = 380V - 3 PH - 60 HZ

(8) DRIVE PACKAGE

A = Belt - Low Static
 B = Belt - Medium Static
 C = Belt - High Static
 D = Direct Drive (PSC)
 E = Direct Drive VFD
 F = Belt VFD - Low Static
 G = Belt VFD - Medium Static
 H = Belt VFD - High Static
 T = Constant Torque
 V = Variable Speed

(9) HEATING CAPACITY

00 = no heat
 05 = 05 kW
 10 = 10 kW
 15 = 15 kW

(10) HEAT CONFIGURATION

1 = Single Stage
 2 = Two Stage
 0 = No Heat

(11) CONTROL

A = Non-Communicating
 C = Clear Control

(12) MINOR SERIES

A = 1st Design

(13) Option Code

SERIAL NUMBER EXPLANATION

F	0	8	1	3	9	9	9	9
(1)	(2)	(3)	(4)					

(1) PLANT CODE

(2) WEEK (DATE CODE)

(3) YEAR

(4) PRODUCTION NUMBER

Note: For Compressor Identification Number, see Compressor Code on Rating Plate

No.	Notes	MODEL COOLING CAPACITY MAJOR SERIES	RACA14 024 A	RACA14 030 A	RACA14 036 A
SHEET METAL PARTS, MISCELLANEOUS					
1		Front Base Pan	AS-58628-07H	AS-58628-07H	AS-58628-07H
2		Base Rail (2)	AE-58562-03	AE-58562-03	AE-58562-03
3		Base Rail (2)	AE-58562-04	AE-58562-04	AE-58562-04
4		Back Base Pan	AS-58607-64	AS-58607-64	AS-58607-64
5		Blower Shelf	AS-58630-01	AS-58630-01	AS-58630-01
6		Blower Shelf Transition	AS-58607-19	AS-58607-19	AS-58607-19
7		Divider Panel	AS-58607-03	AS-58607-03	AS-58607-03
8		Bulkhead Assembly	AS-58607-68	AS-58607-62	AS-58607-62
9		Heater Mounting Panel	AS-58607-16	AS-58607-16	AS-58607-16
10		Extension - Heater Mounting Panel	N/A	N/A	N/A
11		Corner Post	AS-58607-39H	AS-58607-39H	AS-58607-39H
12		Blower Access Panel	AS-58607-09H	AS-58607-09H	AS-58607-09H
13		End Panel	AS-58607-04H	AS-58607-04H	AS-58607-04H
14		Supply Cover - Downflow	AS-58607-06H	AS-58607-06H	AS-58607-06H
14		Supply Cover - Side Option	AS-58607-35H	AS-58607-35H	AS-58607-35H
15		Return Cover - Downflow	AS-58607-05H	AS-58607-05H	AS-58607-05H
15		Return Cover - Side Option	AS-58607-34H	AS-58607-34H	AS-58607-34H
16		Top Panel	AS-58607-67H	AS-58607-67H	AS-58607-67H
17		Grille	95-100906-08	95-100906-08	95-100906-08
18		Filter Access Panel	AS-58607-08H	AS-58607-08H	AS-58607-08H
19		Condenser Louver Panel	AS-58607-61H	AS-58607-61H	AS-58607-61H
20		Center Post	AS-58569-06H	AS-58569-06H	AS-58569-06H
21		Control Access Panel	AS-58568-02H	AS-58568-02H	AS-58568-02H
22		Control Box (w/o components)	AE-58597-01	AE-58597-01	AE-58597-01
23		Control Box Cover	AE-58598-01	AE-58598-01	AE-58598-01
24		Blank-Off Plate (models without heat only)	AS-58607-17	AS-58607-17	AS-58607-17
25		Heater Kit	See Accessories		
27		Bulkhead Valve (2)	61-22369-04	61-22369-04	61-22369-04
28		Bulkhead Valve Locknut (2)	63-22368-01	63-22368-01	63-22368-01
		Bulkhead Valve Cap (2)	83-100635-01	83-100635-01	83-100635-01
A		Star Bushing	45-18515-01	45-18515-01	45-18515-01
B		Nylon Snap Bushing	45-17057-02	45-17057-02	45-17057-02
C		Strain Relief Bushing	45-17055-11	45-17055-11	45-17055-11
D		Neoprene Gasket - 1/8 x 1/2	68-22079-04	68-22079-04	68-22079-04
E		Neoprene Gasket - 1/4 x 1/2	68-22079-06	68-22079-06	68-22079-06
F		Gasket 3/8 x 3/4	68-20243-02	68-20243-02	68-20243-02
G		Gasket 1/2 x 3/4	68-20243-01	68-20243-01	68-20243-01

No.	Notes	MODEL	RACA14	RACA14	RACA14
		COOLING CAPACITY MAJOR SERIES	042 A	048 A	060 A
SHEET METAL PARTS, MISCELLANEOUS					
1		Front Base Pan	AS-58628-07H	AS-58628-07H	AS-58628-07H
2		Base Rail (2)	AE-58562-03	AE-58562-03	AE-58562-03
3		Base Rail (2)	AE-58562-04	AE-58562-04	AE-58562-04
4		Back Base Pan	AS-58607-64	AS-58607-64	AS-58607-64
5		Blower Shelf	AS-58630-01	AS-58630-01	AS-58630-01
6		Blower Shelf Transition	AS-58607-19	AS-58607-19	AS-58607-19
7		Divider Panel	AS-58607-03	AS-58607-03	AS-58607-03
8		Bulkhead Assembly	AS-58607-55	AS-58607-57	AS-58607-57
9		Heater Mounting Panel	AS-58607-16	AS-58607-16	AS-58607-16
10		Extension - Heater Mounting Panel	N/A	AS-58607-42	AS-58607-42
11		Corner Post	AS-58607-39H	AS-58607-53H	AS-58607-46H
12		Blower Access Panel	AS-58607-09H	AS-58607-47H	AS-58607-47H
13		End Panel	AS-58607-04H	AS-58607-48H	AS-58607-48H
14		Supply Cover - Downflow	AS-58607-06H	AS-58607-06H	AS-58607-06H
14		Supply Cover - Side Option AKA, BVA	AS-58607-35H	AS-58607-35H	AS-58607-35H
15		Return Cover - Downflow	AS-58607-05H	AS-58607-05H	AS-58607-05H
15		Return Cover - Side Option AKA, BVA	AS-58607-34H	AS-58607-34H	AS-58607-34H
16		Top Panel	AS-58607-67H	AS-58607-67H	AS-58607-67H
17		Grille	95-100906-08	95-100906-08	95-100906-08
18		Filter Access Panel	AS-58607-08H	AS-58607-49H	AS-58607-49H
19		Condenser Louver Panel	AS-58607-61H	AS-58607-56H	AS-58607-56H
20		Center Post	AS-58569-06H	AS-58569-08H	AS-58569-08H
21		Control Access Panel	AS-58568-02H	AS-58568-04H	AS-58568-04H
22		Control Box (w/o components)	AE-58597-01	AE-58597-01	AE-58597-01
23		Control Box Cover	AE-58598-01	AE-58598-01	AE-58598-01
24		Blank-Off Plate (models without heat only)	AS-58607-17	AS-58607-17	AS-58607-17
25		Heater Kit	See Accessories		
27		Bulkhead Valve (2)	61-22369-04	61-22369-04	61-22369-04
28		Bulkhead Valve Locknut (2)	63-22368-01	63-22368-01	63-22368-01
		Bulkhead Valve Cap (2)	83-100635-01	83-100635-01	83-100635-01
A		Star Bushing	45-18515-01	45-18515-01	45-18515-01
B		Nylon Snap Bushing	45-17057-02	45-17057-02	45-17057-02
C		Strain Relief Bushing	45-17055-11	45-17055-11	45-17055-11
D		Neoprene Gasket - 1/8 x 1/2	68-22079-04	68-22079-04	68-22079-04
E		Neoprene Gasket - 1/4 x 1/2	68-22079-06	68-22079-06	68-22079-06
F		Gasket 3/8 x 3/4	68-20243-02	68-20243-02	68-20243-02
G		Gasket 1/2 x 3/4	68-20243-01	68-20243-01	N/A

No.	Notes	MODEL COOLING CAPACITY MAJOR SERIES ELECTRICAL DESIGNATION	RACA14	RACA14	RACA14	RACA14	RACA14	
			024 A J	030 A J	036 A J	042 A J	048 A J	
ELECTRICAL GROUP								
31		Terminal Strip	45-23591-01	45-23591-01	45-23591-01	45-23591-01	45-23591-01	
33	Stk	Contactora	42-102664-06	42-102664-06	42-102664-06	42-102664-06	42-102664-06	
34	Stk	Sequencing Relay	42-21593-05	42-21593-05	42-21593-05	N/A	N/A	
35	Stk	Transformer	46-18788-05	46-18788-05	46-18788-05	46-18788-05	46-18788-05	
36		Ground Lug	45-19000-01	45-19000-01	45-19000-01	45-19000-01	45-19000-01	
54a		Capacitor - Blower Motor	See Blower Group					
57	Stk	Blower Relay	42-101208-01	42-101208-01	42-101208-01	42-21571-08	42-21571-08	
73		Capacitor - Compressor/Fan	See Compressor Group					
84		Limit Control - Blower Shelf	47-25334-01	47-25334-01	47-25334-01	47-25334-01	47-25334-01	
85		Star Bushing	45-18515-01	45-18515-01	45-18515-01	45-18515-01	45-18515-01	
		Start Relay	See Compressor Group					
		Start Capacitor	See Compressor Group					
		Compressor Wiring Harness (Molded Plug)	See Compressor Group					
88		Wiring Harness - 6 pin to heater kit	45-104222-01	45-104222-01	45-104222-01	45-104222-01	45-104222-01	
		Leadwire - from Flame Sensor to 9 pin Wiring Harness Plug	45-25323-02	45-25323-02	45-25323-02	45-25323-02	45-25323-02	
		Capacitor Adaptor Plate (2 in. round capacitor)	AE-54609-01	AE-54609-01	AE-54609-01	AE-54609-01	AE-54609-01	
		Capacitor Adaptor Plate (2 in. X 1-1/4 in. oval capacitor)	AE-54609-02	AE-54609-02	AE-54609-02	AE-54609-02	AE-54609-02	

No.	Notes	MODEL COOLING CAPACITY MAJOR SERIES ELECTRICAL DESIGNATION	RACA14	RACA14	RACA14			
			036 A C	042 A C	048 A C			
ELECTRICAL GROUP								
31		Terminal Strip	45-23591-01	45-23591-01	45-23591-01			
33	Stk	Contactora	42-102664-08	42-102664-08	42-102664-08			
34	Stk	Sequencing Relay	42-21593-05	N/A	N/A			
35	Stk	Transformer	46-18788-05	46-18788-05	46-18788-05			
36		Ground Lug	45-19000-01	45-19000-01	45-19000-01			
54a		Capacitor - Blower Motor	See Blower Group					
57	Stk	Blower Relay	42-101208-01	42-21571-08	42-21571-08			
73		Capacitor - Compressor/Fan	See Compressor Group					
84		Limit Control - Blower Shelf	47-25334-01	47-25334-01	47-25334-01			
85		Star Bushing	45-18515-01	45-18515-01	45-18515-01			
		Start Relay	See Compressor Group					
		Start Capacitor	See Compressor Group					
		Compressor Wiring Harness (Molded Plug)	See Compressor Group					
88		Wiring Harness - 6 pin to heater kit	45-104222-01	45-104222-01	45-104222-01			
		Leadwire - from Flame Sensor to 9 pin Wiring Harness Plug	45-25323-02	45-25323-02	45-25323-02			
		Capacitor Adaptor Plate (2 in. round capacitor)	AE-54609-01	AE-54609-01	AE-54609-01			
		Capacitor Adaptor Plate (2 in. X 1-1/4 in. oval capacitor)	AE-54609-02	AE-54609-02	AE-54609-02			

No.	Notes	MODEL COOLING CAPACITY MAJOR SERIES ELECTRICAL DESIGNATION	RACA14	
			060 A C	060 A J
ELECTRICAL GROUP				
31		Terminal Strip	45-23591-01	45-23591-01
33	Stk	Contactors	42-102664-08	42-102664-06
34	Stk	Sequencing Relay	N/A	N/A
35	Stk	Transformer	46-18788-05	46-18788-05
36		Ground Lug	45-19000-01	45-19000-01
54a		Capacitor - Blower Motor	See Bower Group	
57	Stk	Blower Relay	42-21571-08	42-21571-08
73		Capacitor - Compressor/Fan	See Compressor Group	
84		Limit Control - Blower Shelf	47-25334-01	47-25334-01
85		Star Bushing	45-18515-01	45-18515-01
		Start Relay	See Compressor Group	
		Start Capacitor	See Compressor Group	
		Compressor Wiring Harness (Molded Plug)	See Compressor Group	
88		Wiring Harness - 6 pin to heater kit	45-104222-01	45-104222-01
		Leadwire - from Flame Sensor to 9 pin Wiring Harness Plug	45-25323-02	45-25323-02
		Capacitor Adaptor Plate (2 in. round capacitor)	AE-54609-01	AE-54609-01
		Capacitor Adaptor Plate (2 in. X 1-1/4 in. oval capacitor)	AE-54609-02	AE-54609-02

No.	Notes	MODEL	RACA14	RACA14	RACA14	RACA14	RACA14	RACA14	
		COOLING CAPACITY	024	030	036	042	048	060	
		MAJOR SERIES	A	A	A	A	A	A	
		ELECTRICAL DESIGNATION	J	J	J	J	J	J	
FAN GROUP									
37	Stk	Fan Motor	51-100999-24	51-100999-24	51-100999-24	51-100999-24	51-100998-29	51-100998-29	
38	Stk	Fan Blade	70-101323-19	70-101323-19	70-101323-19	70-101323-19	70-23594-02	70-23594-03	
73		Capacitor - Compressor/Fan Motor	See Compressor Group						

No.	Notes	MODEL	RACA14	RACA14	RACA14	RACA14		
		COOLING CAPACITY	036	042	048	060		
		MAJOR SERIES	A	A	A	A		
		ELECTRICAL DESIGNATION	C	C	C	C		
FAN GROUP								
37	Stk	Fan Motor	51-100999-24	51-100999-24	51-100998-29	51-100998-29		
38	Stk	Fan Blade	70-101323-19	70-101323-19	70-23594-02	70-23594-03		
73	Stk	Capacitor - Fan Motor	43-100496-04	43-100496-04	43-100496-12	43-100496-12		

No.	Notes	MODEL COOLING CAPACITY MAJOR SERIES ELECTRICAL DESIGNATION DRIVE PACKAGE	RACA14	RACA14	RACA14	RACA14	RACA14	
			024 A J D	030 A J D	036 A J D	042 A J T	048 A J T	
BLOWER GROUP								
	Stk	Blower Assembly (Includes items 51-56)	AS-58662-01	AS-58662-05	AS-58662-55	AS-58662-70	AS-58662-71	
51		Housing	AS-58619-01	AS-58619-02	N/A	N/A	N/A	
51		Housing w/Wheel	N/A	N/A	70-100840-02	70-100840-02	70-100840-02	
51a		Transition	N/A	N/A	AE-102207-05	AE-102207-05	AE-102207-05	
51b		Transition - Back	N/A	N/A	AE-102207-06	AE-102207-06	AE-102207-06	
52	Stk	Blower Wheel	70-20218-01	70-18625-03	703016	703016	703016	
53		Cut-Off	AE-64401-10	AE-64401-06	N/A	N/A	N/A	
54	Stk	Blower Motor	51-23608-02	51-23609-04	51-100837-04	51-101920-28	51-101920-29	
54a		Capacitor - Blower Motor	43-100496-04	43-100496-12	43-100496-42	N/A	N/A	
		Motor Mounting Bracket Assembly (includes 55, 56)	AS-53148-03	AS-53148-03	N/A	N/A	N/A	
55		Motor Band	70-19927-01	70-19927-01	70-19927-03	70-19927-03	70-19927-03	
56		Motor Arm Assembly (3)	70-19929-02	70-19929-02	70-19929-09	70-19929-09	70-19929-09	
56a		Hex Washer Screw (3)	63-20072-05	63-20072-05	63-20072-05	63-20072-05	63-20072-05	
57		Blower Relay	See Electrical Group					

No.	Notes	MODEL COOLING CAPACITY MAJOR SERIES ELECTRICAL DESIGNATION DRIVE PACKAGE	RACA14	RACA14	RACA14			
			036 A C D	042 A C T	048 A C T			
BLOWER GROUP								
	Stk	Blower Assembly (Includes items 51-56)	AS-58662-55	AS-58662-70	AS-58662-71			
51		Housing w/Wheel	70-100840-02	70-100840-02	70-100840-02			
51a		Transition	AE-102207-05	AE-102207-05	AE-102207-05			
51b		Transition - Back	AE-102207-06	AE-102207-06	AE-102207-06			
52	Stk	Blower Wheel	703016	703016	703016			
53		Cut-Off	N/A	N/A	N/A			
54	Stk	Blower Motor	51-100837-04	51-101920-28	51-101920-29			
54a		Capacitor - Blower Motor	43-100496-42	N/A	N/A			
55		Motor Band	70-19927-03	70-19927-03	70-19927-03			
56		Motor Arm Assembly	70-19929-09	70-19929-09	70-19929-09			
56a		Hex Washer Screw (3)	63-20072-05	63-20072-05	63-20072-05			
57		Blower Relay	See Electrical Group					

No.	Notes	MODEL COOLING CAPACITY MAJOR SERIES ELECTRICAL DESIGNATION DRIVE PACKAGE	RACA14	RACA14				
			060 A C T	060 A J T				
BLOWER GROUP								
	Stk	Blower Assembly (Includes items 51-56)	AS-58662-77	AS-58662-77				
51		Housing w/Wheel	70-100840-03	70-100840-03				
51a		Transition	AE-102207-13	AE-102207-13				
51b		Transition - Back	AE-102207-14	AE-102207-14				
52	Stk	Blower Wheel	PD706266	PD706266				
53		Cut-Off	N/A	N/A				
54	Stk	Blower Motor	51-101984-16	51-101984-16				
54a		Capacitor - Blower Motor	N/A	N/A				
55		Motor Band	70-19927-03	70-19927-03				
56		Motor Arm Assembly	70-19929-09	70-19929-09				
56a		Hex Washer Screw (3)	63-20072-05	63-20072-05				
57		Blower Relay	See Electrical Group					

No.	Notes	MODEL COOLING CAPACITY MAJOR SERIES ELECTRICAL DESIGNATION	RACA14	RACA14	RACA14	RACA14
			024 A J	030 A J	036 A C	036 A J
COIL GROUP						
CONDENSER COIL:						
61	Stk	Condenser Coil (Coil Only)	AS-104395-01	AS-104395-02	AS-104395-05	AS-104395-05
61b		Pad - Bottom Coil	68-104248-03 (4)	68-104248-03 (4)	68-104248-03 (4)	68-104248-03 (4)
61c		Coil Filler Plate (2)	AS-104545-01H	AS-104545-01H	AS-104545-01H	AS-104545-01H
61d		Coil Mount	AE-101781-03	AE-101781-01	AE-101781-01	AE-101781-01
		Access Valve Body (2)	61-18542-01	61-18542-01	61-18542-01	61-18542-01
		Access Valve Core (4)	61-18551-01	61-18551-01	61-18551-01	61-18551-01
		Bulkhead Valve (2)	61-22369-04	61-22369-04	61-22369-04	61-22369-04
78	Stk	Filter Drier - Liquid Line	83-22755-05	83-22755-05	83-22755-05	83-22755-05
EVAPORATOR COIL:						
62	Stk	Evaporator Coil (Coil Only)	65-104387-01	65-104387-01	65-104387-01	65-104387-01
63		Drain Pan Grommet	56-23601-01	56-23601-01	56-23601-01	56-23601-01
64	Stk	Drain Pan	68-23602-03	68-23602-03	68-23602-03	68-23602-03
64a		Water Block-Off	68-104901-01	68-104901-01	68-104901-01	68-104901-01
64b		Drain Trap (Attached to Drain Pan)	68-23603-01	68-23603-01	68-23603-01	68-23603-01
		Auxiliary Drain Pipe	82-58611-02	82-58611-02	82-58611-02	82-58611-02
	Stk	TXV	61-102211-35	61-102211-36	61-102211-37	61-102211-37
67a		Frame - Coil Back Air Stop	AE-104569-01	AE-104569-01	AE-104569-01	AE-104569-01
67b		Frame - Coil Top Air Stop	AE-104571-01	AE-104571-01	AE-104571-01	AE-104571-01
68a		Frame - Coil Front Air Stop	AS-104570-01H	AS-104570-01H	AS-104570-01H	AS-104570-01H
68b		Frame - Coil Front Support	AE-104572-01	AE-104572-01	AE-104572-01	AE-104572-01

No.	Notes	MODEL COOLING CAPACITY MAJOR SERIES ELECTRICAL DESIGNATION	RACA14	RACA14	RACA14	RACA14
			042 A C	042 A J	048 A C	048 A J
COIL GROUP						
CONDENSER COIL:						
61	Stk	Condenser Coil (Coil Only)	AS-104395-06	AS-104395-06	AS-104395-07	AS-104395-07
61b		Pad - Bottom Coil	68-104248-03 (5)	68-104248-03 (5)	68-104248-03 (5)	68-104248-03 (5)
61c		Coil Filler Plate (2)	AS-104545-01H	AS-104545-01H	AS-104545-02H	AS-104545-02H
61d		Coil Mount	N/A	N/A	N/A	N/A
		Access Valve Body (2)	61-18542-01	61-18542-01	61-18542-01	61-18542-01
		Access Valve Core (4)	61-18551-01	61-18551-01	61-18551-01	61-18551-01
		Bulkhead Valve (2)	61-22369-04	61-22369-04	61-22369-04	61-22369-04
78	Stk	Filter Drier - Liquid Line	83-22755-05	83-22755-05	83-22755-05	83-22755-05
EVAPORATOR COIL:						
62	Stk	Evaporator Coil (Coil Only)	65-104387-01	65-104387-01	65-104387-02	65-104387-02
63		Drain Pan Grommet	56-23601-01	56-23601-01	56-23601-01	56-23601-01
64	Stk	Drain Pan	68-23602-03	68-23602-03	68-23602-03	68-23602-03
64a		Water Block-Off	68-104901-01	68-104901-01	68-104901-01	68-104901-01
64b		Drain Trap (Attached to Drain Pan)	68-23603-01	68-23603-01	68-23603-01	68-23603-01
		Auxiliary Drain Pipe	82-58611-02	82-58611-02	82-58611-02	82-58611-02
	Stk	TXV	61-102211-37	61-102211-37	61-102211-41	61-102211-41
67a		Frame - Coil Back Air Stop	AE-104569-01	AE-104569-01	AE-104569-02	AE-104569-02
67b		Frame - Coil Top Air Stop	AE-104571-01	AE-104571-01	AE-104571-02	AE-104571-02
68a		Frame - Coil Front Air Stop	AS-104570-01H	AS-104570-01H	AS-104570-02H	AS-104570-02H
68b		Frame - Coil Front Support	AE-104572-01	AE-104572-01	AE-104572-02	AE-104572-02

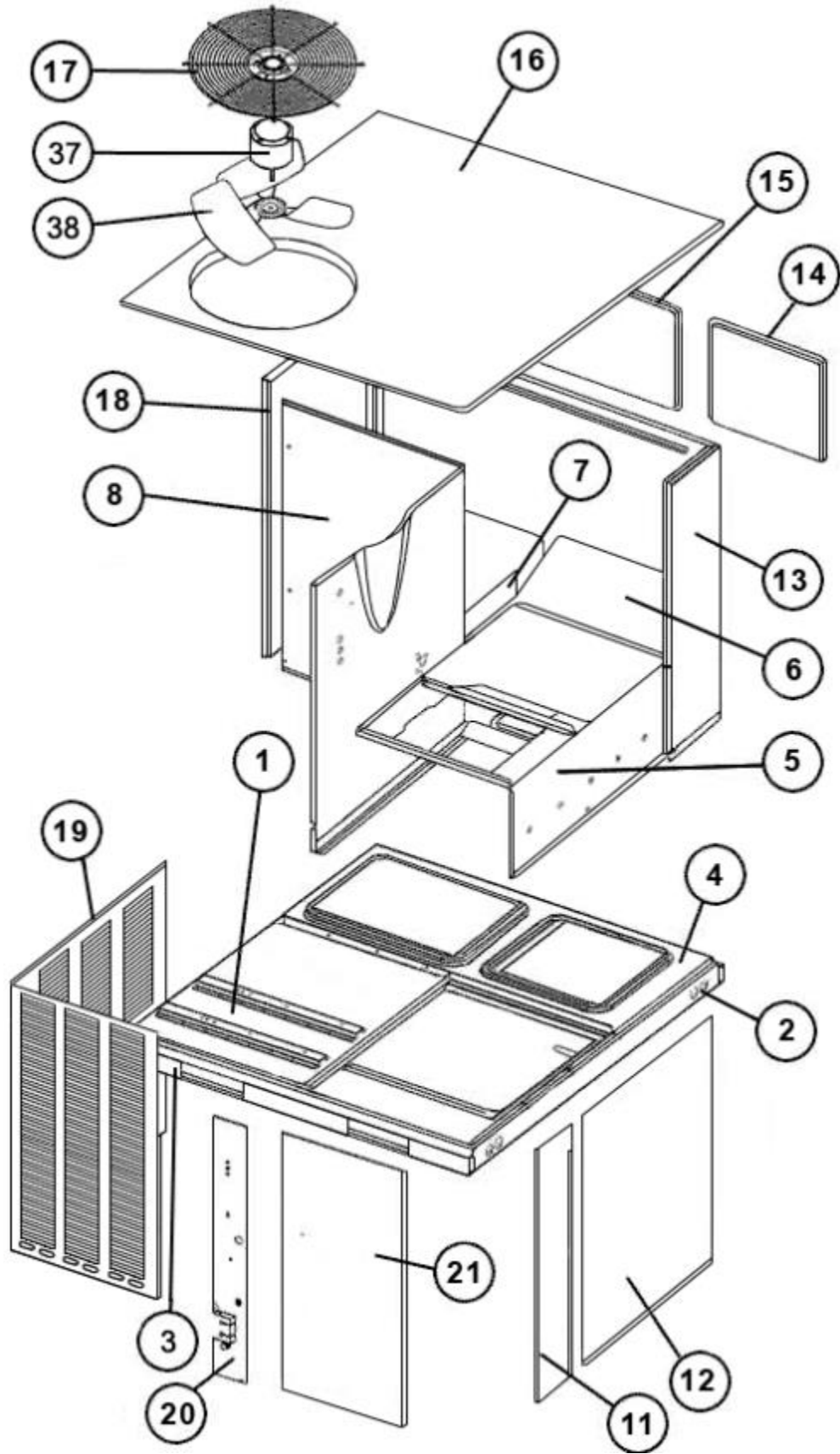
No.	Notes	MODEL	RACA14	RACA14
		COOLING CAPACITY	060	060
		MAJOR SERIES	A	A
		ELECTRICAL DESIGNATION	C	J
COIL GROUP				
CONDENSER COIL:				
61	Stk	Condenser Coil (Coil Only)	AS-104395-03	AS-104395-03
61b		Pad - Bottom Coil	68-104248-03 (5)	68-104248-03 (5)
61c		Coil Filler Plate (2)	AS-104545-02H	AS-104545-02H
61d		Coil Mount	N/A	N/A
		Access Valve Body (2)	61-18542-01	61-18542-01
		Access Valve Core (4)	61-18551-01	61-18551-01
		Bulkhead Valve (2)	61-22369-04	61-22369-04
78	Stk	Filter Drier - Liquid Line	83-22755-05	83-22755-05
EVAPORATOR COIL:				
62	Stk	Evaporator Coil (Coil Only)	65-104387-03	65-104387-03
63		Drain Pan Grommet	56-23601-01	56-23601-01
64	Stk	Drain Pan	68-23602-03	68-23602-03
64a		Water Block-Off	68-104901-01	68-104901-01
64b		Drain Trap (Attached to Drain Pan)	68-23603-01	68-23603-01
		Auxiliary Drain Pipe	82-58611-02	82-58611-02
	Stk	TXV	61-102211-39	61-102211-39
67a		Frame - Coil Back Air Stop	AE-104569-02	AE-104569-02
67b		Frame - Coil Top Air Stop	AE-104571-02	AE-104571-02
68a		Frame - Coil Front Air Stop	AS-104570-02H	AS-104570-02H
68b		Frame - Coil Front Support	AE-104572-02	AE-104572-02

No.	Notes	MODEL COOLING CAPACITY MAJOR SERIES ELECTRICAL DESIGNATION	RACA14 024 A J	RACA14 030 A J	RACA14 036 A J	RACA14 042 A J	RACA14 048 A J	RACA14 060 A J	
COMPRESSOR GROUP									
		Compressor ID:	8846	8847	8848	8850	8852	8854	
71	Stk	Compressor	55-102045-97S	55-102045-31S	55-102045-66S	55-102045-15S	55-102045-06S	55-102045-102S	
72		Grommet (4)	56-18518-16	56-18518-16	56-18518-16	56-18518-16	56-18518-06	56-18518-06	
73	Stk	Capacitor - Compressor/Fan	43-101665-44	43-101665-26	43-101665-41	43-101665-41	43-101665-48	43-101665-47	
76		High Pressure Control	47-102290-01	47-102290-01	47-102290-01	47-102290-01	47-102290-01	47-102290-01	
77		Low Pressure Control	See Accessories						
	Stk	Compressor Wiring Harness (Molded Plug)	45-100834-80	45-100834-80	45-100834-80	45-100834-80	45-100834-80	45-100834-80	

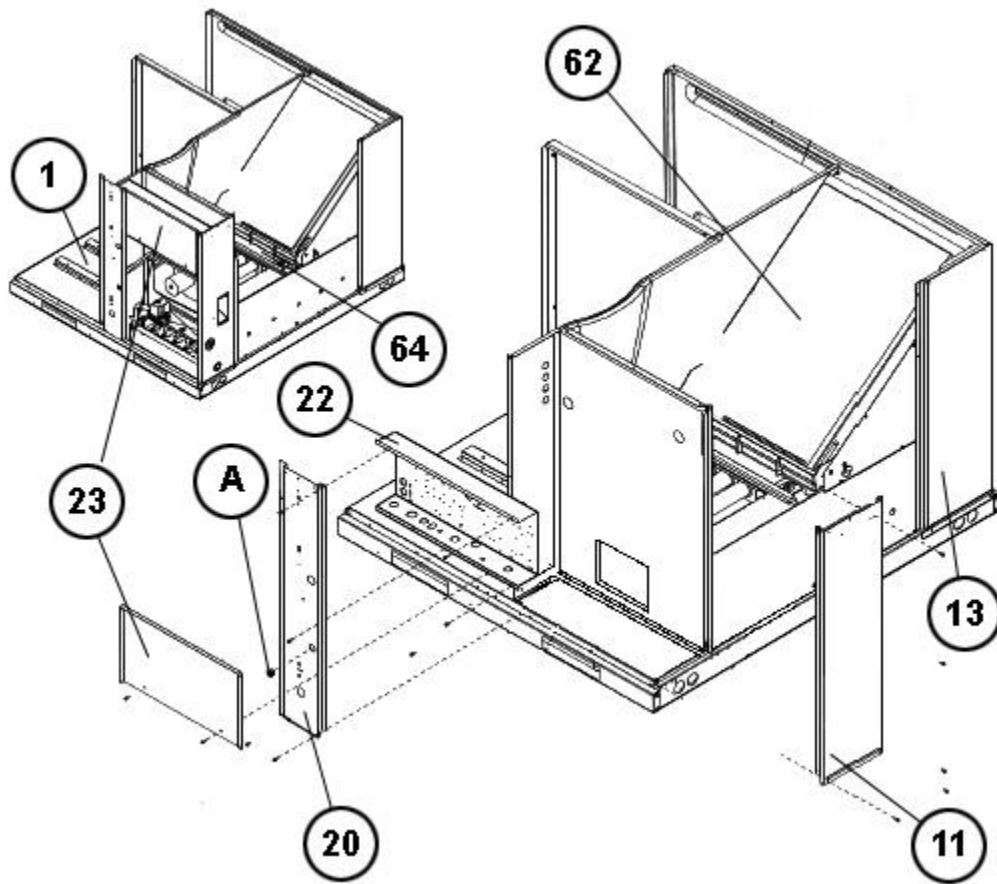
No.	Notes	MODEL COOLING CAPACITY MAJOR SERIES ELECTRICAL DESIGNATION	RACA14 036 A C	RACA14 042 A C	RACA14 048 A C	RACA14 060 A C			
COMPRESSOR GROUP									
		Compressor ID:	8849	8851	8853	8855			
71	Stk	Compressor	55-102045-90S	55-102045-19S	55-102045-08S	55-102045-117S			
72		Grommet (4)	56-18518-16	56-18518-16	56-18518-06	56-18518-06			
73	Stk	Capacitor - Fan	See Fan Group						
76		High Pressure Control	47-102290-01	47-102290-01	47-102290-01	47-102290-01			
77		Low Pressure Control	See Accessories						
	Stk	Compressor Wiring Harness (Molded Plug)	45-100834-80	45-100834-80	45-100834-80	45-100834-80			

No.	Notes	MODEL COOLING CAPACITY MAJOR SERIES ELECTRICAL DESIGNATION	RACA14 ALL A J	RACA14 ALL A C
HEATER KITS				
		Heater Kit - 05 kW	RXQJ-A05J	N/A
		Heater Kit - 10 kW	RXQJ-A10J	RXQJ-A10C
		Heater Kit - 15 kW	RXQJ-A15J	RXQJ-A15C

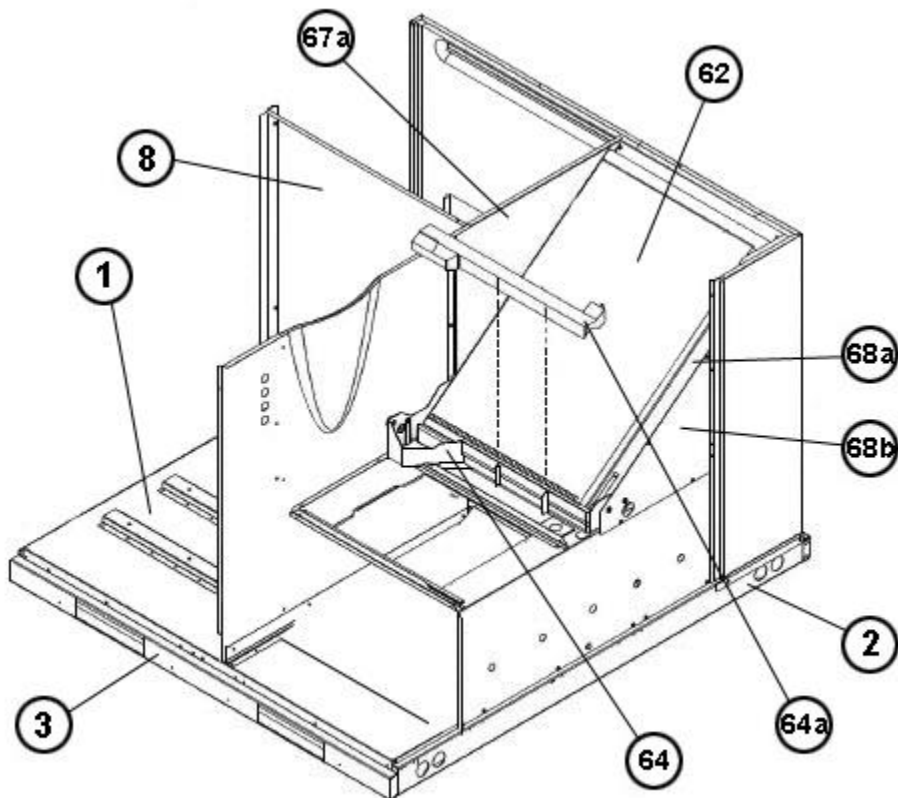
No.	Notes	MODEL VARIATIONS	RACA14 ALL	
OPTIONS AND ACCESSORIES				
		Economizer - Downflow, 3 Position	AXRE-CAA30	
		Economizer - Downflow, Fully Modulating	AXRD-CAM10	
		Economizer - Horizontal, 3 Position	AXRE-CCA30	
		Economizer - Horizontal, Fully Modulating	AXRD-CCM10	
		Fresh Air Damper - Fixed, 35%	AXRF-FAA1	
		Fresh Air Damper - Motorized, 35%	AXRF-FAB1	
		Low Ambient Control	RXRZ-B01	
76		High Pressure Control	RXAB-E01	
77		Low Pressure Control	RXAC-C01	



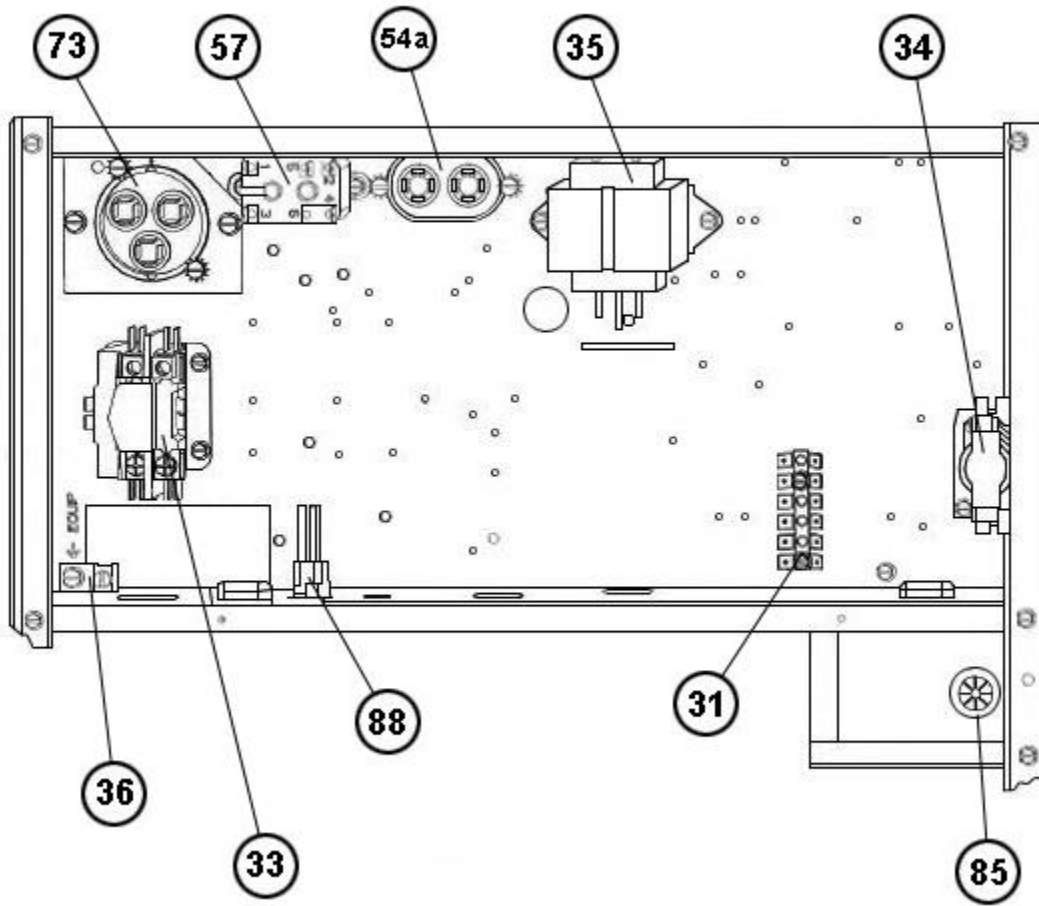
Exploded View



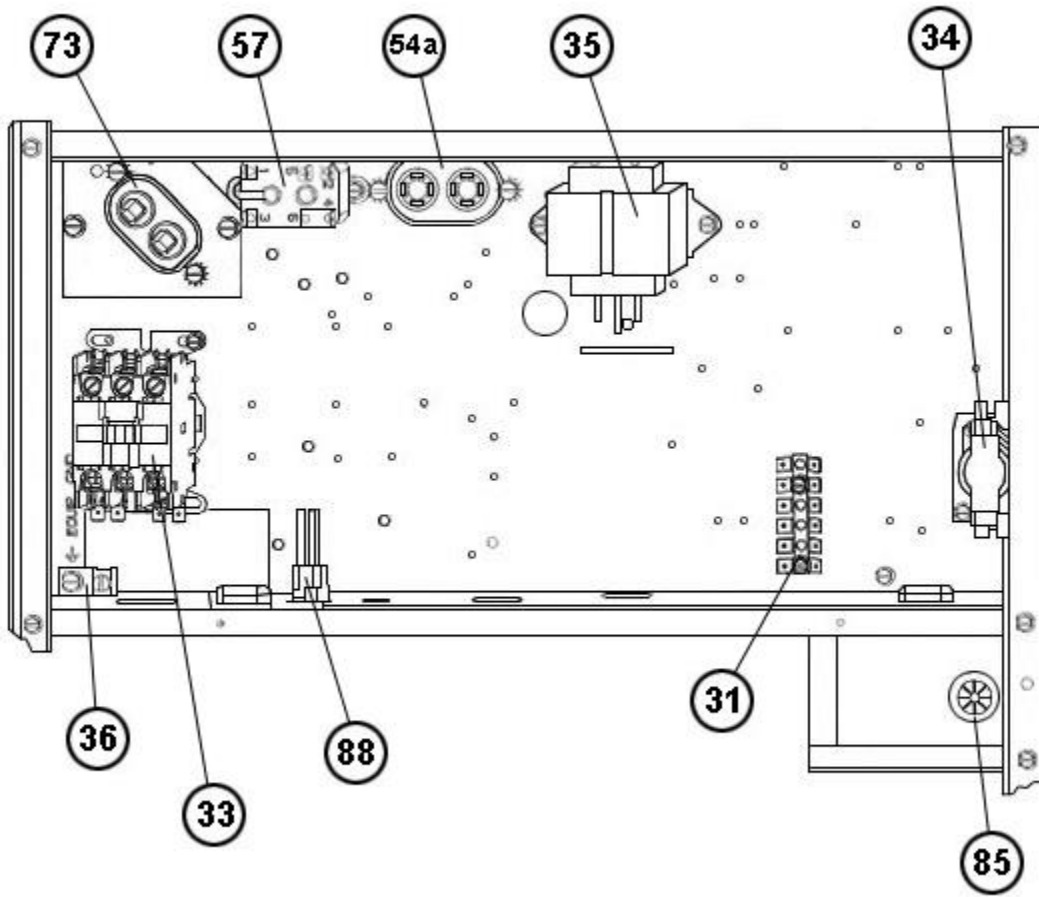
Control Access Panel, Evap Coil



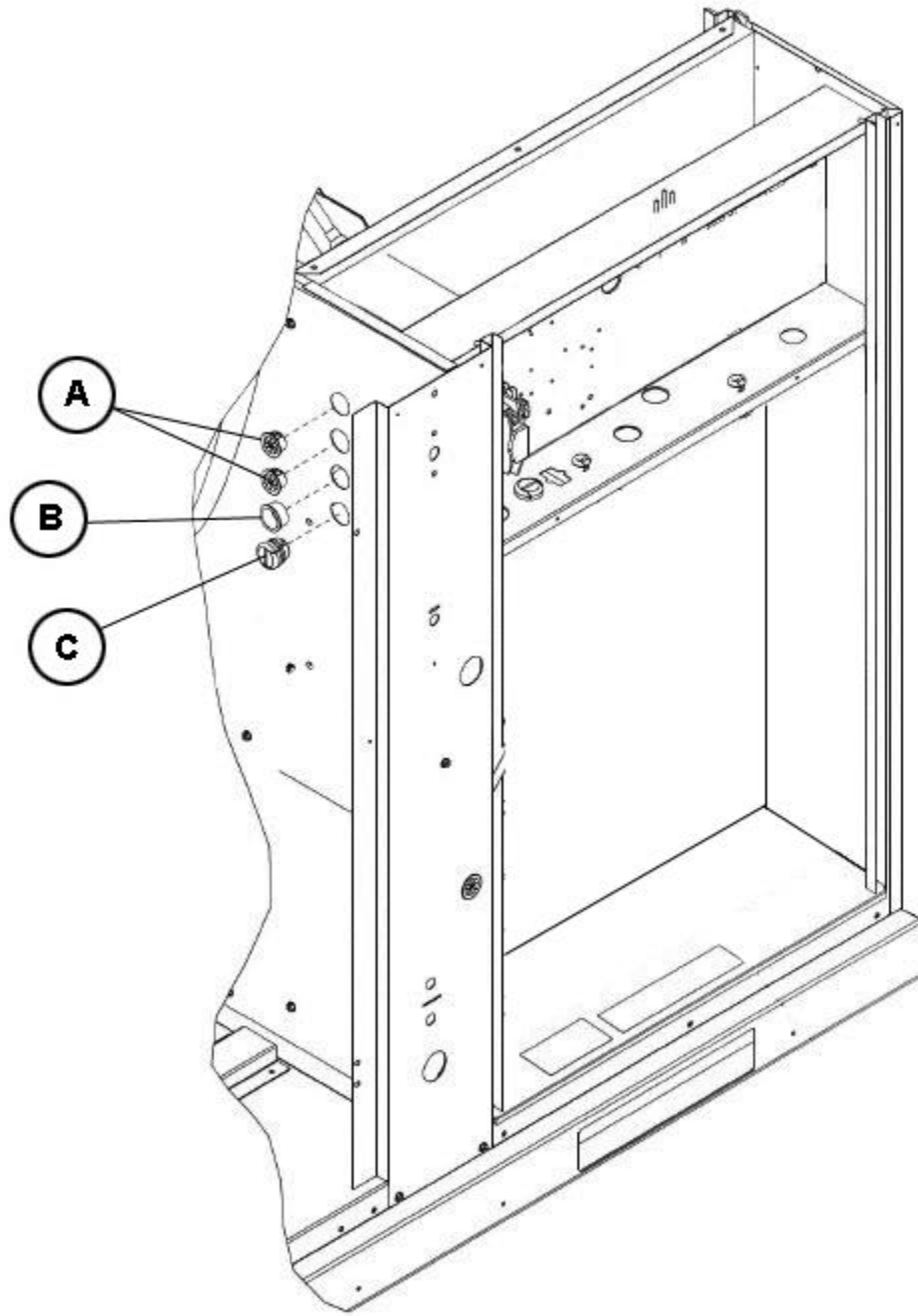
Evaporator Coil



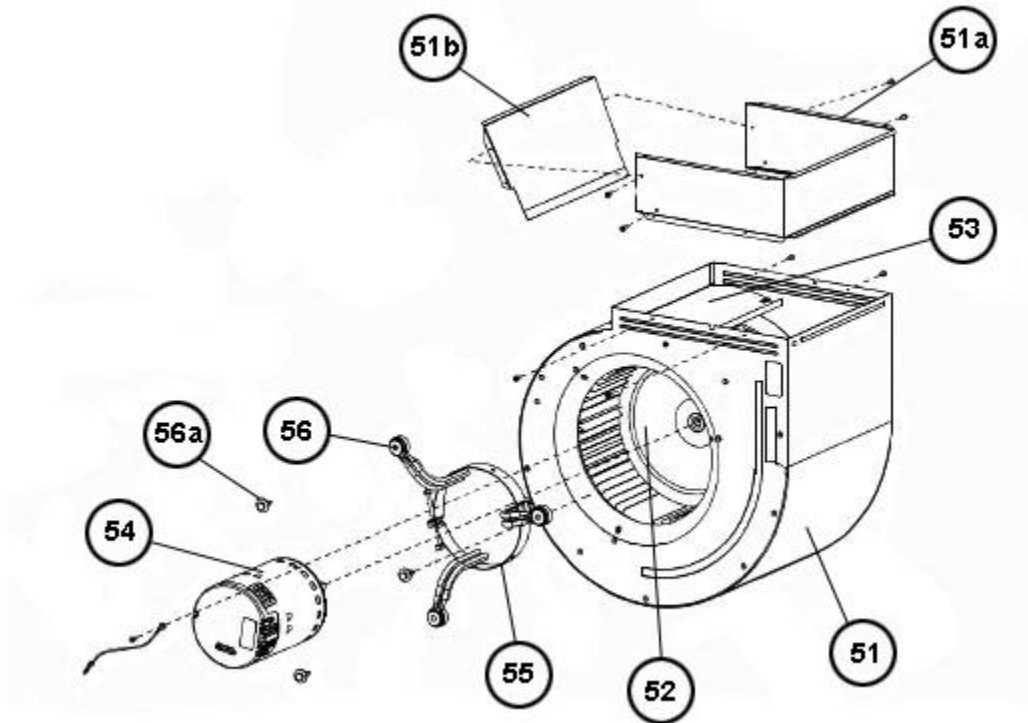
Electrical Control Box (1)



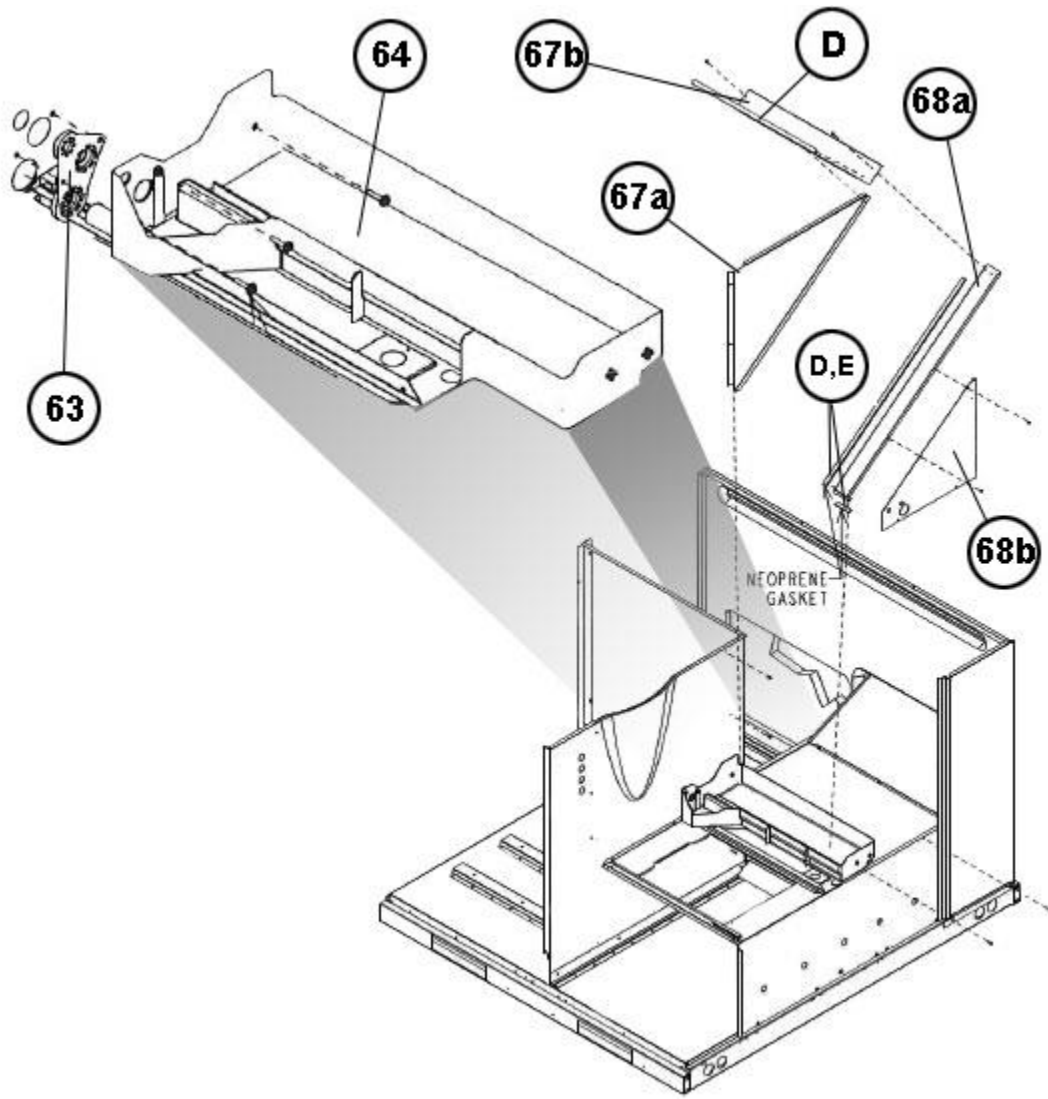
Electrical Control Box (2)



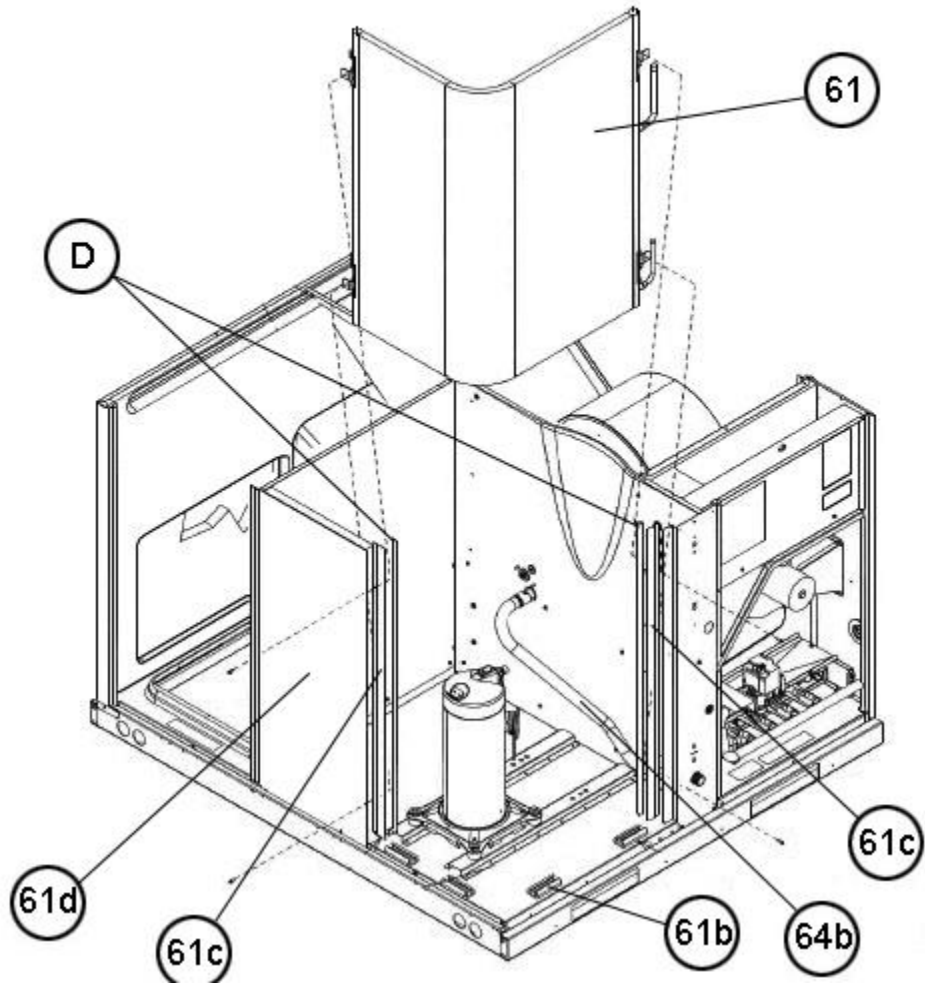
Bushings - Bulkhead Wiring



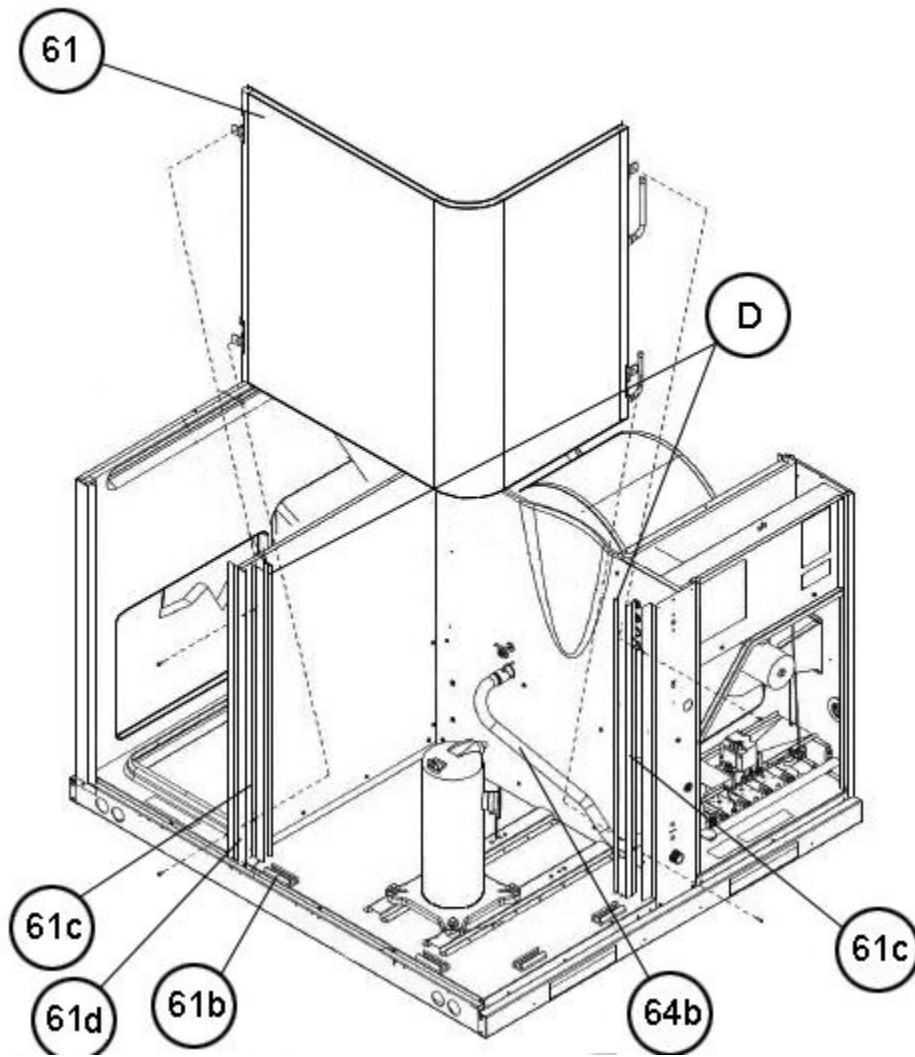
Blower Assembly



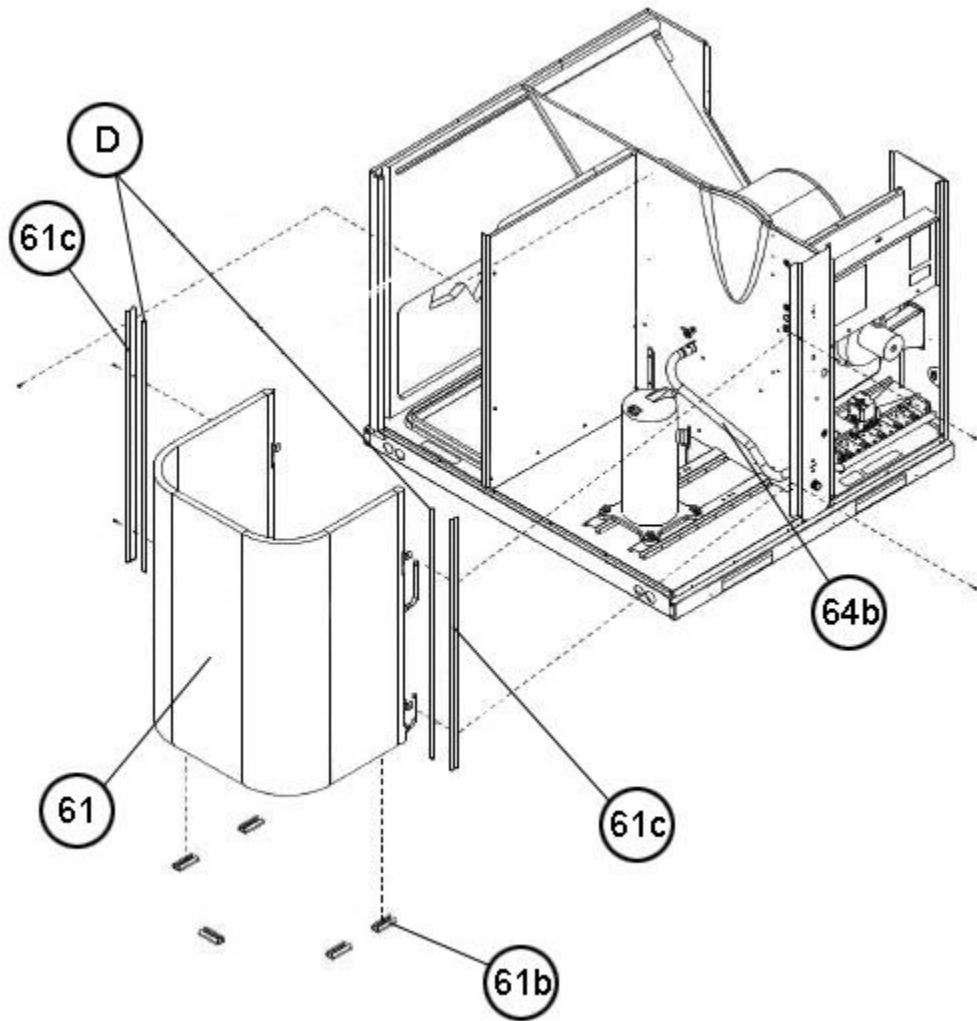
Coil Frames, Drainpan



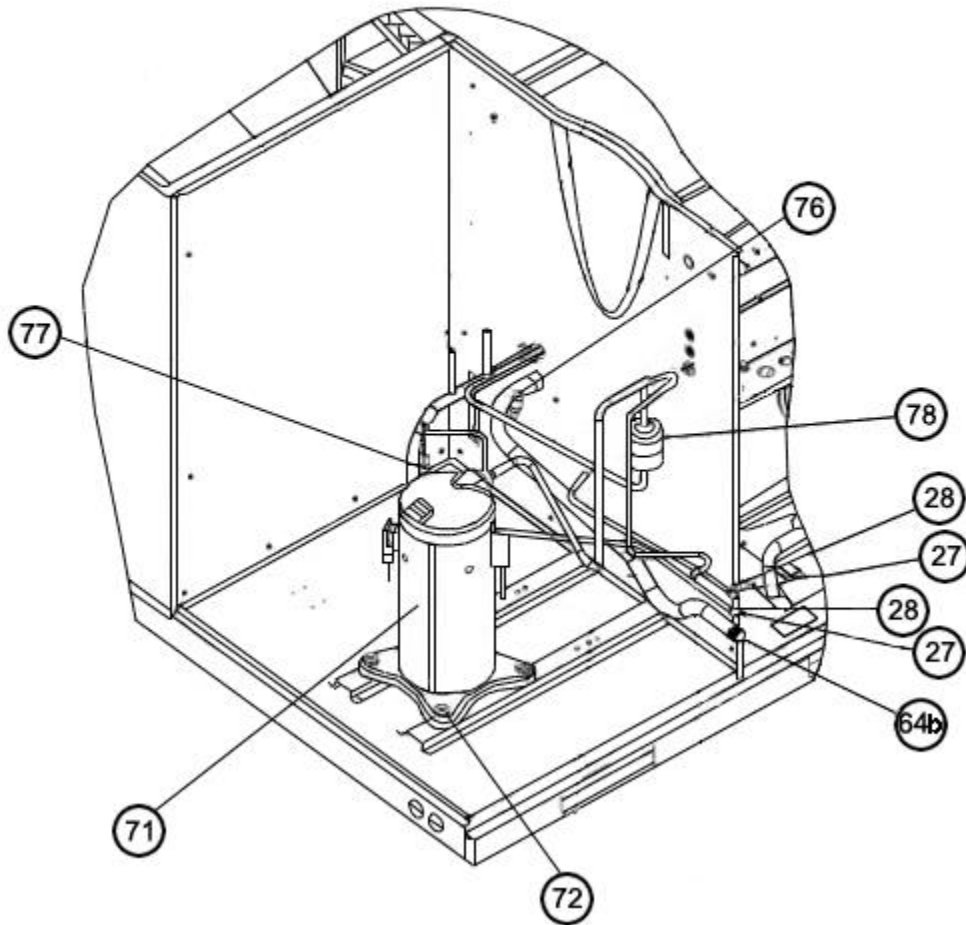
Condenser Coil 2 Ton



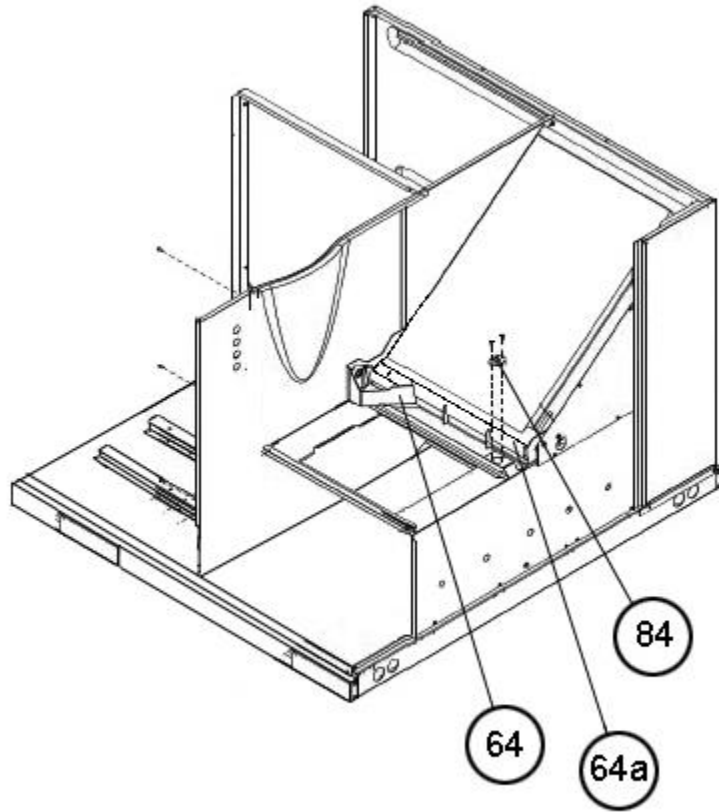
Condenser Coil 2.5 - 3 Ton



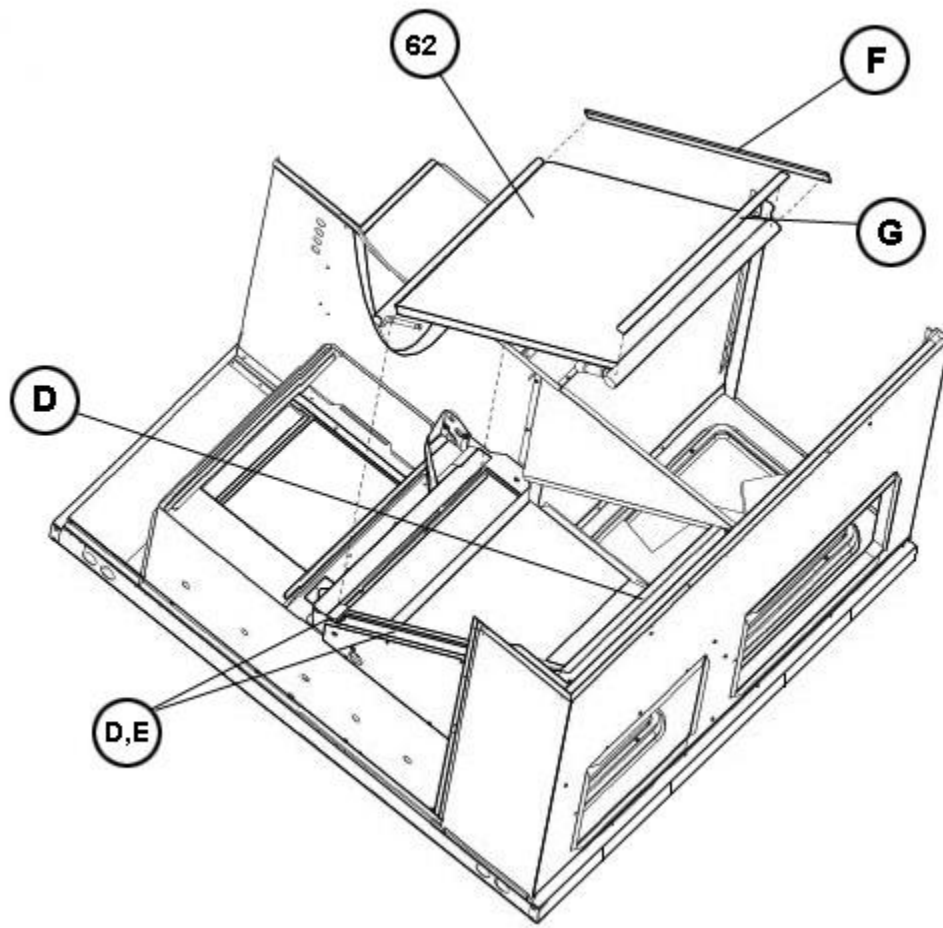
Condenser Coil 3.5 - 4 - 5 Ton



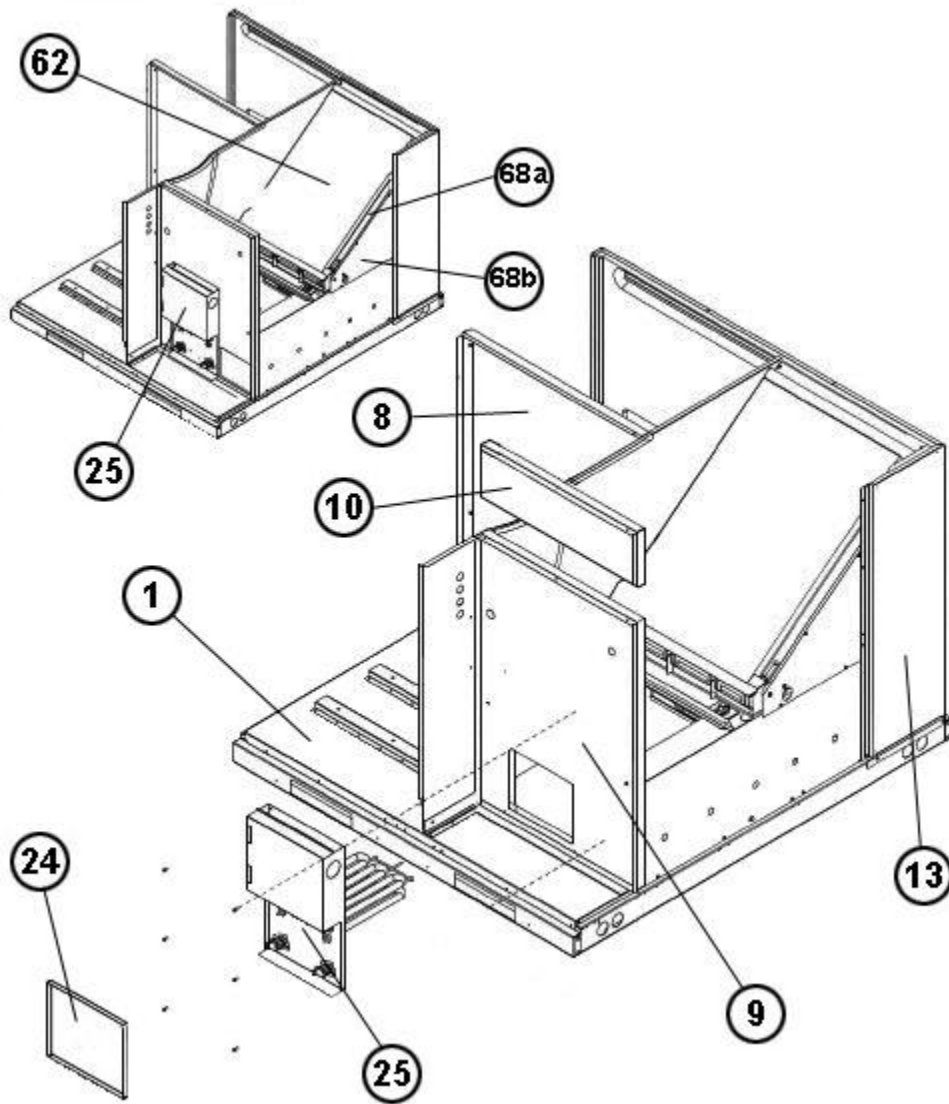
Compressor and Refrigeration Components



Limit Control - Blower Shelf



Evaporator Coil Gaskets



Heater Mounting - Panels

NOTES

Stk It is recommended that stock be maintained for this part.
N/A Not Applicable