

# FIGURE 7205 BEAM CLAMP

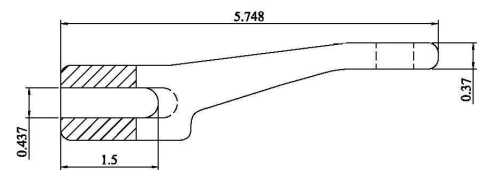
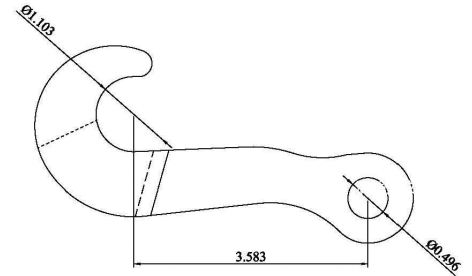
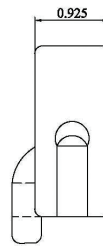
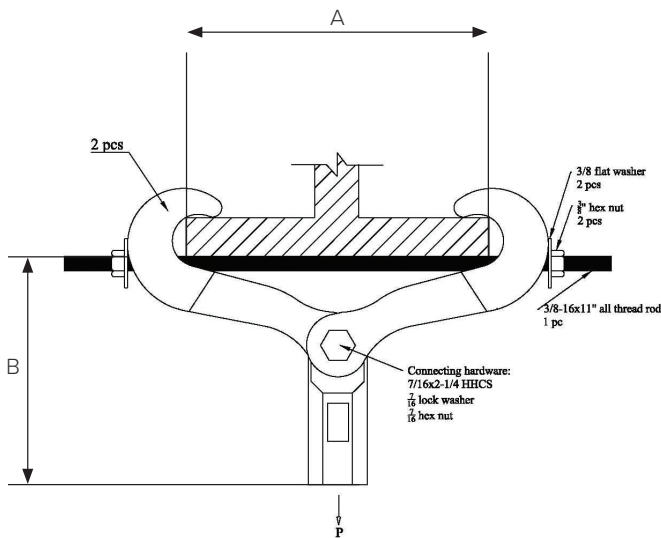


## CENTER LOAD BEAM CLAMP

### PRODUCT SPECIFICATIONS

#### Standards

- Finish: Plain
- Material: Malleable Iron
- Standard: ASTM A47, Grade 32510, MSS-SP58, Type -30
- FM Approved (3/8" only)



#### DIMENSIONS (INCHES)

Item No.	Rod Size	A=2-3/8	A=3	A=4	A=5	A=6	A=7	Max Load (lbs)	Weight (oz)
		B	B	B	B	B	B		
FNW7205PC	3/8"	4-3/4"	4-3/4"	4-1/2"	4-1/8"	3-7/8"	3-1/8"	610	2.43
FNW7205PD	1/2"	4-7/8"	4-3/4"	4-3/4"	4-1/4"	4"	3-1/4"	1,130	2.60
FNW7205PE	5/8"	4-15/16"	4-7/8"	4-3/4"	4-3/8"	4"	3-15/16"	1,365	2.69
FNW7205PF	3/4"	5-3/16"	5-1/8"	5"	4-5/8"	4-1/4"	3-9/16"	1,365	2.78
FNW720578	7/8"	5-1/4"	5-1/4"	5-1/16"	4-3/4"	4-3/8"	3-5/8"	1,365	3.00

**Note:** Do not overtighten the set screw or the clamp may be damaged. The set screw should be fingertight, then given approximately an additional 1/4 to 1/3 turn. The recommended set screw torque is 5 ft-lbs (60 in-lbs).