

## San Souci® | K-4007

One-piece round-front toilet, 1.28 gpf

### Features

- One-piece toilets integrate the tank and bowl into a seamless, easy-to-clean design
- Round-front bowl offers an ideal solution for smaller bathrooms and powder rooms
- Low-profile design
- Left-hand Polished Chrome trip lever
- Includes Reveal® Quiet-Close™ seat
- Easy-to-flush canister design requires less force to actuate than a 3" (76 mm) flapper, and has 90% less exposed seal material which resists conditions that cause wear, tear, shrinkage and swelling
- Eligible for consumer rebates in some municipalities
- 1.28 gpf (4.8 lpf)
- 2-1/8" (54 mm) fully glazed trapway



### Sustainability



### Available Colors/Finishes

*Color tiles intended for reference only.*

- |    |             |
|----|-------------|
| 0  | White       |
| 96 | Biscuit     |
| NY | Dune        |
| 95 | Ice Grey    |
| 7  | Black Black |



## Codes/Standards

*Accessibility standards may require controls to be located on the open side of the toilet.*

*Plumbing codes may require elongated toilets and elongated, open-front seats in public bathrooms.*



ASME A112.19.2/CSA B45.1  
DOE - Energy Policy Act 1992  
EPA WaterSense®

## Technical Information

Rough-in:	Standard 12" (305mm)
Flush Type:	AquaPiston
Flush Rate:	1.28 gpf (4.8 lpf)
Bowl Shape:	Round-front
Seat-Mounting Holes:	5-1/2" (140 mm)
Waste Outlet:	Floor
Trapway Size:	2-1/8" (54 mm)
Trapway Type:	Exposed
Water Surface Size:	9-1/4" x 6-3/4" (235 mm x 171 mm)
Rim to Water Surface:	6-5/16" (160 mm)

## Recommended Products/Accessories

1023457 Toilet Wax Ring And Hardware Kit

1265114 12" Toilet Supply Line

K-23726 Drain treatment

K-9176 Trip lever

K-5420 Low-profile toilet bolt caps

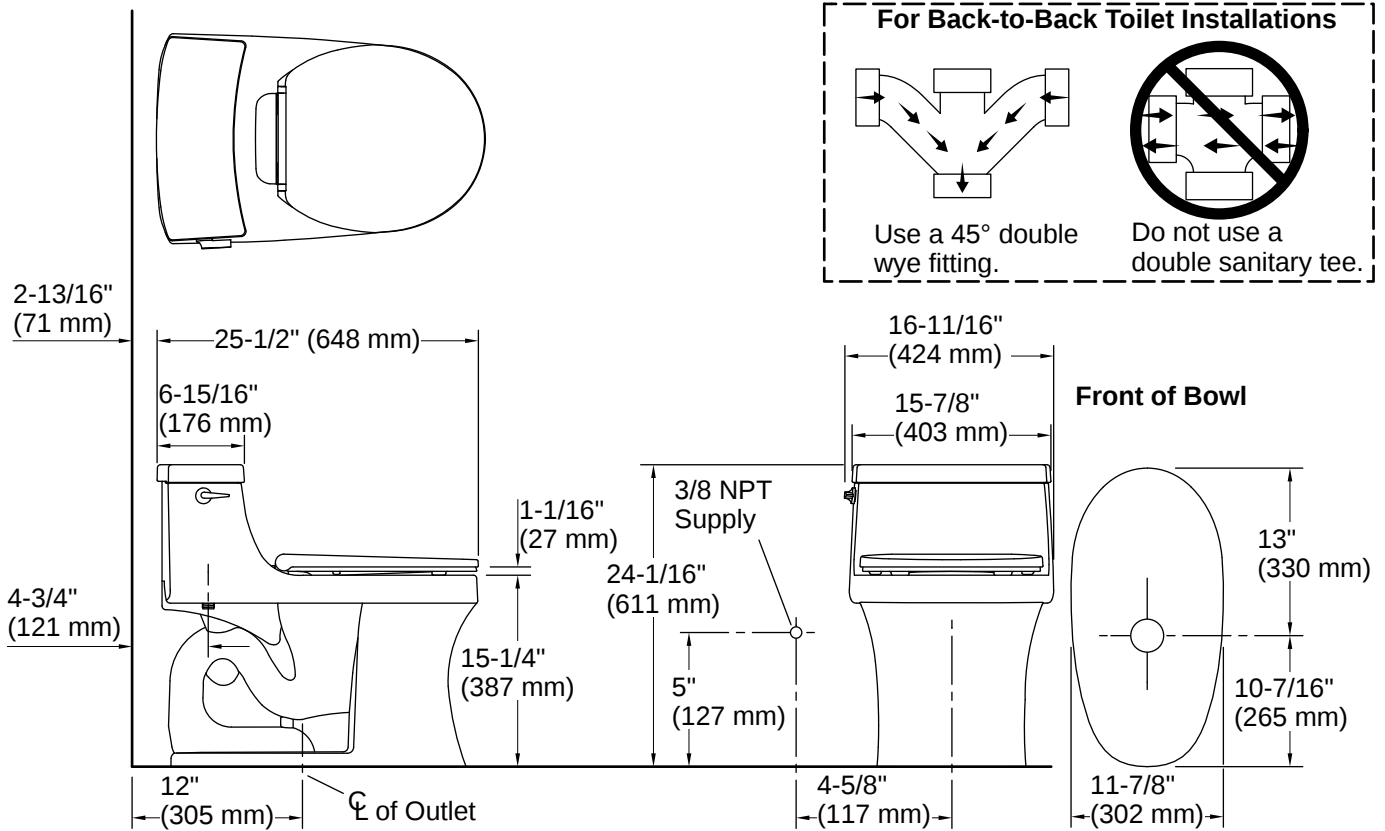
K-75758-RL Nightlight ReadyLatch® Quiet-Close™ round-front toilet seat

## Warranty

*See website for detailed warranty information.*

KOHLER® Toilets and Seats Limited Warranty





## Installation

- Standard 12" (305 mm) rough-in
- Supply line sold separately

## Installation Notes

*Install this product according to the installation instructions.*

For back-to-back toilet installations: Use only a 45° double wye fitting.

Product dimensions are nominal and may vary per ASME A112.19.2 tolerances.

