

Features

- Premium construction ensures durability and reliability.
- Shower valve trim plate with push-button diverter.
- Trim only, requires valve to complete installation.

Required Accessories

K- 11748-K Pressure-Balancing Valve w/Diverter

or

K- 11748-KS Pressure-Balancing Valve w/Diverter

Adapters, Rough-in and Extension Kits

1226074-CP



ADA CSA B651

Codes/Standards

ASME A112.18.1/CSA B125.1

ASSE 1016

ADA

ICC/ANSI A117.1

CSA B651

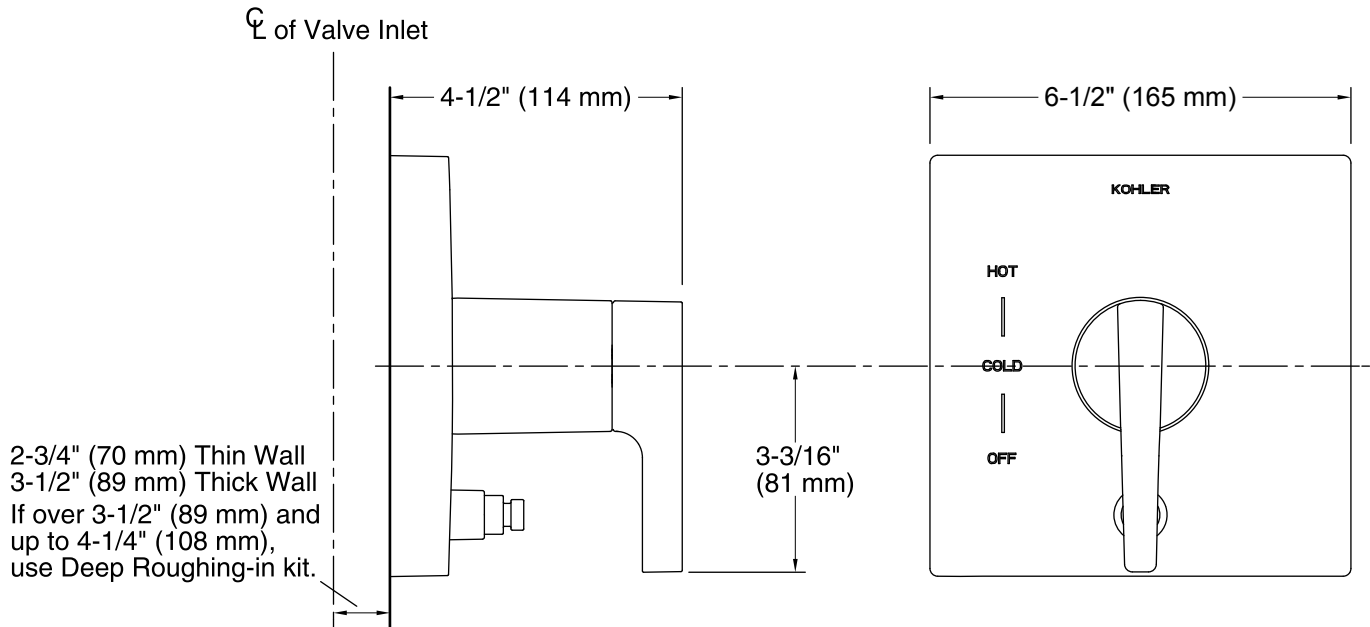
See website for detailed warranty information.

Available Color/Finishes

Color tiles intended for reference only.

Color Code Description

● CP Polished Chrome



Technical Information

All product dimensions are nominal.

Valve body: Machined Brass

Notes

Install this product according to the installation guide.

ADA, CSA B651 compliant when installed to the specific requirements of these regulations.