

# 2200

## CARSON® Spec Grade

### COVER

Style:	Flush
Material:	HDPE
Model:	12" Dia.
Weight:	3 lbs
Options:	Logos and Special Markings
Surface:	Skid Resistant & Marked
Performance:	Pedestrian, ASTM C857, WUC 3.6

Cover comes standard with permanent markings for manufacturer and model size.

### BODY

Material:	HDPE
Model:	12" Dia.
Weight:	15" Depth: 13 lbs 18" Depth: 14 lbs
Wall Type:	Flared
Mouseholes:	2
Performance:	Pedestrian, ASTM C857, WUC 3.6

### EXTENSION

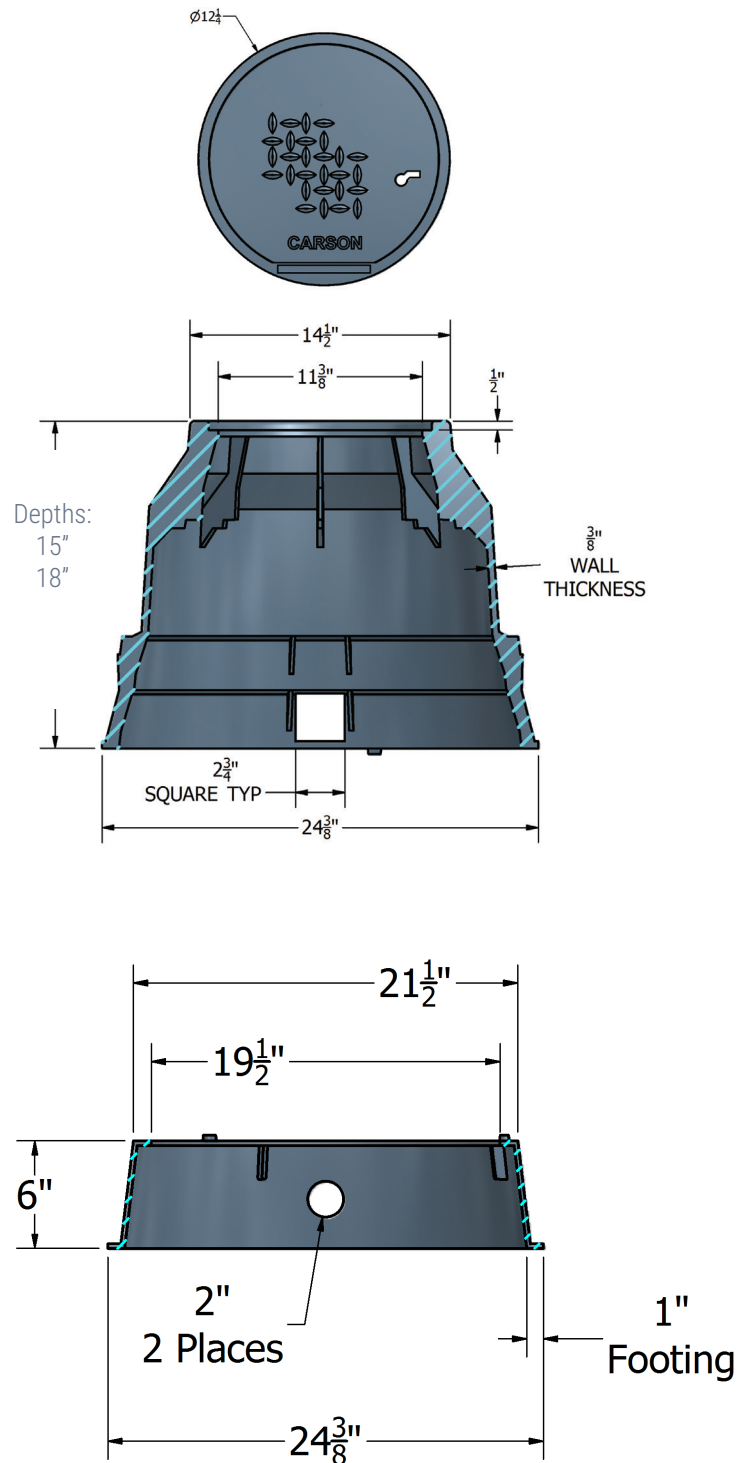
Material:	HDPE
Weight:	3 lbs

### LOAD RATING / NOTES



LIGHT DUTY  
PEDESTRIAN / GREENBELT

For use in non-vehicular traffic situations only.  
Weights and dimensions may vary slightly.  
Actual load rating is determined by the box  
and cover combination.



# 2200

**CARSON**<sup>®</sup> *Spec Grade*

## COVER OPTIONS

HDPE, Flush Solid  
Cast Iron, Flush Solid



Cast Iron



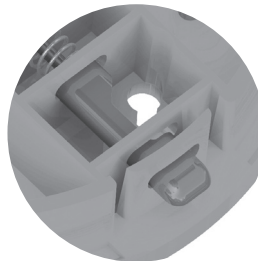
HDPE

## COLOR OPTIONS

Cover: Black  
Body: Black  
Extension: Black

## FASTENER OPTIONS

Dallas Lock (HDPE Covers)



Dallas Lock  
Detail

## ADD ON OPTIONS

AMR Friendly Solutions  
Touch Read Hole  
EMS Marker  
Racking Provision



EMS Marker

**⚠ WARNING:** Cancer - [www.P65Warnings.ca.gov](http://www.P65Warnings.ca.gov)

All information contained on this sheet is current at the time of publication.  
Oldcastle reserves the right to discontinue or update product information without notice.

Revision 11/30/18  
© 2018 Oldcastle Infrastructure