

Butt Weld Fittings

Dimension : ANSI B16.9, B16.25, B16.28, MSS SP-43, SP-48, SP-59
Material Spec. : ASTM A403, A240, A312, A234 WPB
Material Grades : 304, 304L, 316, 316L, CARBON STEEL



90° ELBOW



45° ELBOW



180° ELBOW



EQUAL TEE



REDUCING TEE



CAP



CON. REDUCER



ECC. REDUCER

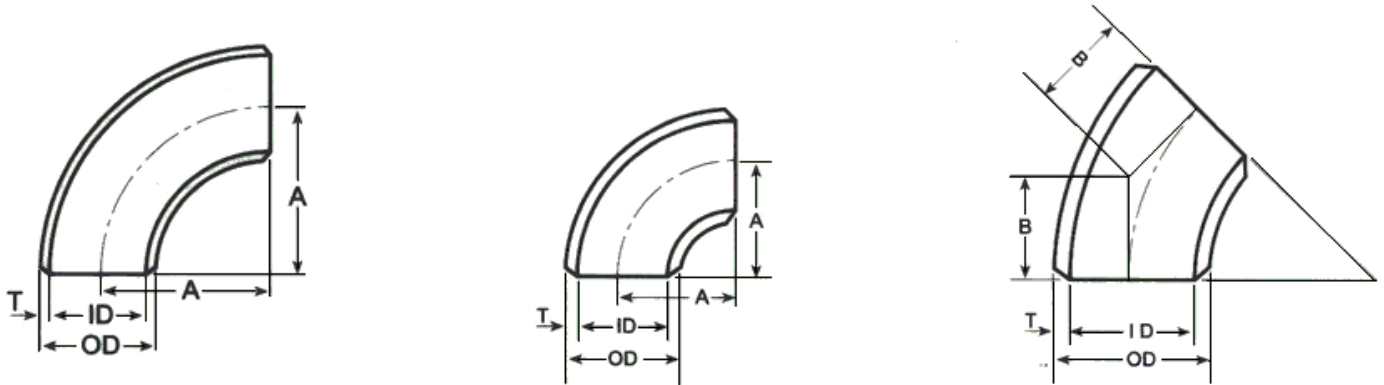


STUB END

STAINLESS & CARBON STEEL BUTT-WELDING FITTINGS

WELLGROW INDUSTRIES CORP.

Long and Short Radius 45°/ 90° Elbows



ANSI B16.9 B16.28 (in mm)
* Wellgrow's standard.

| Nominal Pipe Size (NPS) | Outside Diameter at Bevel D | Center to End | | | |
|-------------------------|-----------------------------|--------------------|----------------|---------------------|----------------|
| | | Long Radius Elbows | | Short Radius Elbows | |
| | | 90 degree. A | 45 degree B | 90 degree A | 45 degree B |
| 1/2 | 21.3 | 38.1 | 15.7 | - | - |
| 3/4 | 26.7 | 38.1 | 19.1 | - | - |
| 1 | 33.4 | 38.1 | 22.4 | 25.4 | - |
| 1-1/4 | 42.2 | 47.8 | 25.4 | 31.8 | - |
| 1-1/2 | 48.3 | 57.2 | 28.4 | 38.1 | - |
| 2 | 60.3 | 76.2 | 35.1 | 50.8 | - |
| 2-1/2 | 73.0 | 95.2 | 44.4 | 63.5 | - |
| 3 | 88.9 | 114.3 | 50.8 | 76.2 | 31.6 |
| 3-1/2 | 101.6 | 133.4 | 57.2 | 88.9 | 36.8 |
| 4 | 114.3 | 152.4 | 63.5 | 101.6 | 42.1 |
| 5 | 141.3 | 190.5 | 79.2 | 127.0 | 52.6 |
| 6 | 168.3 | 228.6 | 95.2 | 152.4 | 63.4 |
| 8 | 219.1 | 304.8 | 127.0 | 203.2 | 84.2 |
| 10 | 273.1 | 381.0 | 158.8 | 254.0 | 105.2 |
| 12 | 323.9 | 457.2 | 190.5 | 304.8 | 126.3 |
| 14 | 355.6 | 533.4 | 222.2 | 355.6 | 147.3 |
| 16 | 406.4 | 609.6 | 254.0 | 406.4 | 168.3 |
| 18 | 457.2 | 685.8 | 285.8 | 457.2 | 189.4 |
| 20 | 508.0 | 762.0 | 317.5 | 508.0 | 210.4 |
| 22 | 558.8 | 838.2 | 342.9 | 558.8 | 231.5 |
| 24 | 609.6 | 914.4 | 381.0 | 609.6 | 252.5 |
| 26 | 660.4 | 990.6 | 406.4 | 660.4 | 273.5 |
| 28 | 711.2 | 1066.8 | 438.2 | 711.2 | 294.6 |
| 30 | 762.0 | 1143.0 | 469.9 | 762.0 | 315.6 |
| 32 | 812.8 | 1219.2 | 501.6 | 812.8 | 378.1 |
| 34 | 863.6 | 1295.4 | 533.4 | 863.6 | 357.7 |
| 36 | 914.4 | 1371.6 | 565.2 | 914.4 | 378.8 |
| 38 | 965.2 | 1447.8 | 599.9 | - | - |
| 40 | 1016.0 | 1524.0 | 632.0 | 1016.0 | 420.8 |
| 42 | 1066.8 | 1600.2 | 660.4 | 1066.8 | 441.9 |
| 44 | 1117.6 | 1676.4 | 695.5 | 1117.6 | 462.9 |
| 46 | 1168.4 | 1752.6 | 726.9 | - | - |
| 48 | 1219.2 | 1828.8 | 759.0 | 1219.2 | 505.0 |
| 52* | 1320.8 | - | - | 1320.8 | 547.1 |
| 54* | 1371.6 | 2057.4 | 852.2 | 1371.6 | 568.1 |
| 56* | 1422.4 | 2133.6 | 883.8 | 1422.4 | 589.2 |
| 60* | 1524.0 | 2286.0 | 946.9 | 1524.0 | 631.3 |
| 66* | 1676.4 | 2514.6 | 1041.6 | - | - |
| 68* | 1727.0 | 2591 | 1073 | 1727 | - |
| 72* | 1829.0 | 2743 | 1137 | 1829 | - |
| 76* | 1930.0 | 2896 | 1199 | 1930 | - |
| 80 | 2032.0 | 3048 | 1263 | 2032 | - |