



# HYMAX GRIP<sup>®</sup>

## FLANGE ADAPTOR\*<sup>‡</sup>

(1.5" - 12")

**HYMAX<sup>®</sup>**  
Repair the past. Connect the future.

### PRODUCT SPECIFICATIONS

#### FEATURES

- JOINS AND RESTRAINS A WIDE RANGE OF PIPING TYPES AND DIAMETERS
- UNIQUE RADIAL GRIPPING SYSTEM PREVENTS PIPE MOTION
- UNIVERSAL GRIPPING TEETH FIT METAL AND PLASTIC PIPES
- READY TO USE, STAB-FIT DESIGN
- ALLOWS 4° DYNAMIC DEFLECTION REDUCING FUTURE DAMAGE
- DURABLE DUCTILE IRON BODY
- PATENTED HYDRAULICALLY-ASSISTED GASKET WITH 2-STAGE SEALING

#### SPECIFICATIONS

##### STANDARDS

HYMAX GRIP FLANGE ADAPTOR MEETS OR EXCEEDS STANDARDS  
AWWA C-219, NSF 61, NSF 372.

##### SIZE

AVAILABLE IN NOMINAL DIAMETER FROM 1.5" - 12".

##### MATERIALS

###### FLANGE BODY

DUCTILE IRON CASTING ASTM A536 GRADE 65-45-12.  
1.5" - 2.5": OVAL FLANGE  
3" - 12": FLANGE COMPATIBLE WITH AWWA CLASS D, ANSI CLASS 125  
AND 150 BOLT CIRCLES (PRODUCT SIZES 4" - 12" CONTAIN A LIFTING EYE).

###### END RING

1.5" - 3" - MADE OF CAST STEEL ASTM A216 WCB.  
4" - 12" - DUCTILE IRON CASTING ASTM A536 GRADE 60-40-18.

###### GASKETS

EPDM AND NBR AVAILABLE. BOTH ARE COMPOUNDED FOR WATER AND SEWAGE, MEET  
INTERNATIONAL STANDARDS FOR CONTACT WITH DRINKING WATER.

###### GRIP CHAIN

GRIPPING TEETH: SIZES 1.5" - 3"     SIZES 4" - 12"  
  AISI 440C                    AISI 420 2B OR AISI 440C

###### BRIDGE

AISI 304 STAINLESS STEEL.

###### SPHERICAL SPACERS

AISI 304 STAINLESS STEEL.

###### COATING

100% FUSION BONDED EPOXY FOR ENHANCED CORROSION  
PROTECTION. NOMINAL THICKNESS 14 MIL.

###### NUTS AND BOLTS

AISI 304 STAINLESS STEEL. ROLLED THREAD AND ANTI-GALLING COATING.

## PRODUCT PERFORMANCE (\*)

<b>WORKING TEMPERATURE</b>	EPDM: -20°F UP TO +125°F NBR: -4°F UP TO +125°F
<b>DYNAMIC DEFLECTION</b>	UP TO 4°
<b>MIN. PIPE INSERTION</b>	3.6"
<b>MAXIMUM OFFSET FOR MISALIGNED PIPES</b>	0.12"
<b>MAXIMUM OUT OF ROUNDNESS</b>	1.5" - 3"    4" - 12" 0.12"        0.16"
<b>VACUUM TEST</b>	12 PSI

### PRESSURES & ΔT

ΔT - HDPE pipe expands and contracts with changes in temperature and exerts large pull-load forces on the coupling.  
ΔT for HDPE pipe is the change in temperature the coupling can withstand when installed on HDPE pipe.

ND (inch)	Standard Pressure GRIP				ΔT for HDPE SDR 9 (°F)
	Steel, DI, CI & PVC		HDPE		
	Working Pressure (PSI)	Rated Pressure (PSI)	Working Pressure (PSI)	Rated Pressure (PSI)	
1.5/2	232	350	232	350	85
2.5	232	350	232	350	85
3	232	350	232	350	85
4	232	350	232	350	85
6	232	350	232	350	85
8	232	350	193	290	50
10	232	350	163	245	50
12	232	350	155	232	35

ND (inch)	High Pressure GRIP		
	HDPE Pipe		
	Working Pressure (PSI)	Rated Pressure (PSI)	ΔT for HDPE SDR 9 (°F)
4	250	500	100
6	250	500	100
8	250	500	100
10	250	500	100
12	250	500	70

## PRODUCT TABLES

### TORQUE

ND (inch)	EPDM (Ft-Lb)	NBR (Ft-Lb)
1.5	70	70
2.5	70	70
3	70	70
4	90	105
6	110	110
8	200	200
10	200	200
12	200	200

### PRODUCT CONFIGURATIONS

The product is offered in several different configurations. Note that the "xx" marking in the Cat. no. should be replaced as directed:

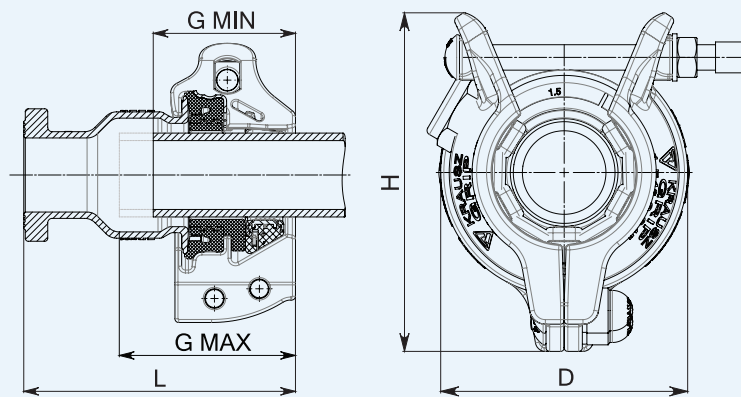
**Part Number 130-XX**

- 56 -> Standard Pressure Grip with EPDM gasket
- 57 -> Standard Pressure Grip with NBR gasket
- 58 -> High Pressure Grip with EPDM gasket
- 59 -> High Pressure Grip with NBR gasket

For example -

130-XX-04111-16 should be read as 130-56-04111-16 for Standard Pressure Grip with EPDM gasket and 130-57-04111-16 for Standard Pressure Grip with NBR gasket.

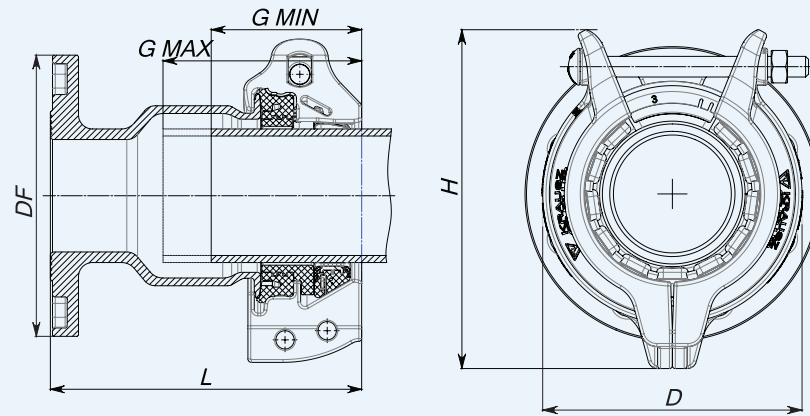
### HYMAX GRIP FLANGE ADAPTOR NOMINAL SIZE 1.5"-2.5" (※)



Krausz Part Number	ND (inch)	Flange Oval (inch)	Overall Range (inch)	Before Removal of Inner Layer (inch)	After Removal of Inner Layer (inch)	L (inch)	D (inch)	H (inch)	G - Max Stab Depth (inch)	Bolts Qty.-Size	Approx. Weight (Lbs)
130-XX-015039-15-16	1.5/2	1.5	1.54 - 2.64	1.54 - 2.20	2.17 - 2.64	7.1	5.35	7.48	4.5	1 - M14	9.72
130-XX-015039-20-16	1.5/2	2	1.54 - 2.64	1.54 - 2.20	2.17 - 2.64	7.1	5.35	7.48	4.7	1 - M14	9.96
130-XX-025059-20-16	2.5	2	2.32 - 3.43	2.32 - 2.99	2.95 - 3.43	7.1	6.18	8.07	4.5	1 - M14	11.33

\* NOTE: only configs 56 & 57 are relevant for 1.5"-3" sizes

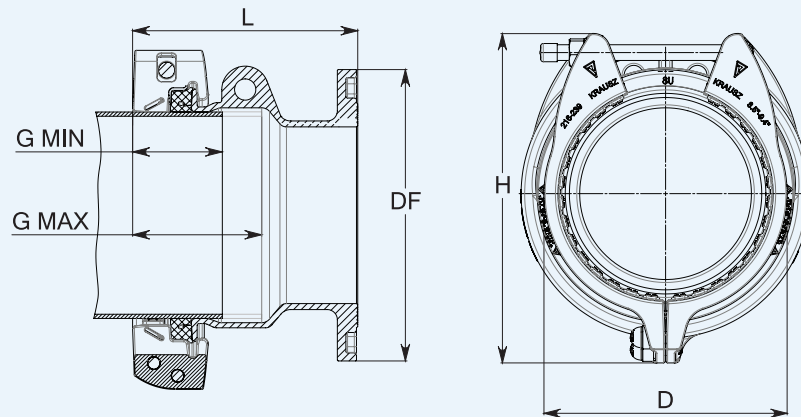
## HYMAX GRIP FLANGE ADAPTOR NOMINAL SIZE 3" (※)



Krausz Part Number	Nominal Diameter (inch)	Overall Range (inch)	Before Removal of Inner Layer (inch)	After Removal of Inner Layer (inch)	DF (inch)	L (inch)	D (inch)	H (inch)	G - Max Stab Depth (inch)	Bolts Qty.-Size	Approx. Weight (Lbs)
130-XX-030080-16	3	3.15-4.17	3.15-3.74	3.70-4.17	7.87	8.74	6.93	9.06	5.5	1 - M14	21.25

\* NOTE: only configs 56 & 57 are relevant for 1.5"-3" sizes

## HYMAX GRIP FLANGE ADAPTOR NOMINAL SIZE 4" - 12"



Krausz Part Number	Nominal Diameter (inch)	Overall Range (inch)	DF (inch)	L (inch)	D (inch)	H (inch)	G - Max Stab Depth (inch)	Bolts Qty.-Size	Approx. Weight (Lbs)
130-XX-04111-16	4	4.40-5.10	9	8.6	8.7	10.6	5.3	1 - 5/8	27.6
130-XX-06165-16	6	6.50-7.20	11.2	9.9	10.9	12.9	5.7	1 - 5/8	39.5
130-XX-08216-16	8	8.50-9.40	13.5	10.4	13.8	15.7	5.9	1 - 3/4	61.4
130-XX-10270-16	10	10.65-11.55	16	10.7	16.2	18.2	5.9	1 - 3/4	81.3
130-XX-12322-16	12	12.68-13.39	19	11.7	17.4	19.8	6.3	1 - 3/4	106.3