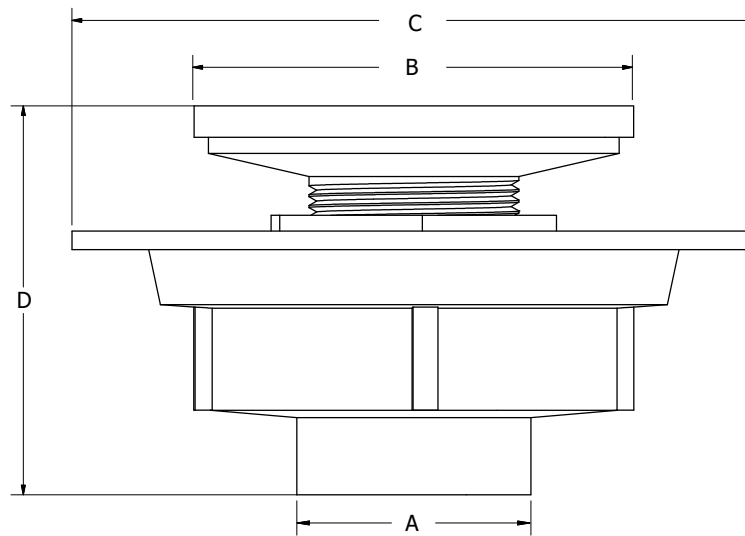


## 2" SHOWER DRAIN WITH 2" SPUD AND 4" STRAINER



- Fits over 2" Schedule 40 DWV pipe
- Comes with round screw-in strainer
- Ability to use a snap-in or screw-in strainer
- Screw-down clamping ring has weep holes for secondary drainage
- Adjustable to meet most applications
- 7" pan
- Recessed sump area for added drainage



Part No.		Strainer - Shape	Strainer - Finish	A - Pipe Size	B	C	D
PVC	ABS						
D50702	D50705	Round	Polished Brass	2.37" ID, 2.76" OD	4.22"	7.01"	3.78"-5.15"
D50708	D50726	Round	Polished Brass Cast	2.37" ID, 2.76" OD	4.22"	7.01"	3.78"-5.15"
D50701	D50704	Round	Chrome Plated	2.37" ID, 2.76" OD	4.22"	7.01"	3.78"-5.15"
D50706	D50724	Round	Nickel Bronze	2.37" ID, 2.76" OD	4.22"	7.01"	3.78"-5.15"
D50700	-	Round	Stainless Steel	2.37" ID, 2.76" OD	4.22"	7.01"	3.78"-5.15"