



# Brass Hose Fittings

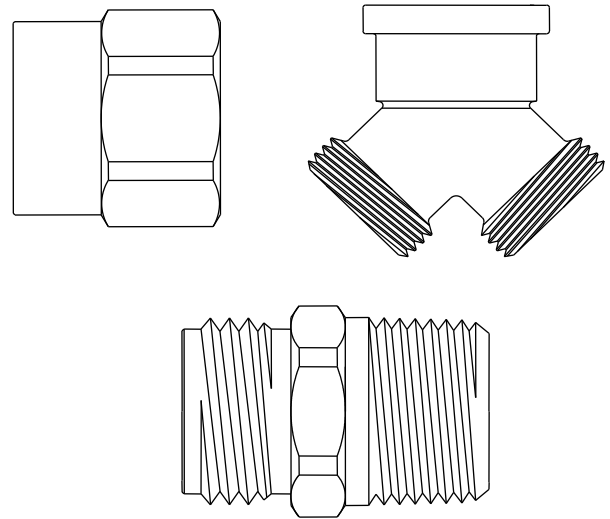
**Use:** For use with residential and commercial grade garden hose, all female hose thread connections require a rubber washer inserted prior to installation.

## Design Features

- Compatible with ANSF B1.20.1
- Low Lead Compliant

## Operating Specifications

**Temperature:** -35° – 100°F at maximum operating pressures  
**Working Pressure:** 75 PSI maximum, intermittent to 150 PSI



Fitting Material Specifications	
Body	Low Lead Compliant Brass
Hose Washer	Rubber

SKU	Description
PFXFFHDFN	Female Hose Adaptor 1/2" FIP x 3/4" FHT
PFXFMHDFN	Male Hose Adaptor 3/4" MHT x 1/2" FIP
PFXMFHDFN	Female Hose Adaptor 3/4" FHT x 1/2" MIP
PFXMMHDFN	Male Hose Adaptor 3/4" MHT x 1/2" MIP
PFXMFMHDFN	Male Hose Adaptor 3/4" MHT x 1/2" FIP (3/4" MIP)
PFXFMHFFN	Male Hose Adaptor 3/4" MHT x 3/4" FIP
PFXFFHFFN	Female Hose Adaptor 3/4" FHT x 3/4" FIP
PFXMFHFFN	Female Hose Adaptor 3/4" FHT x 3/4" MIP
PFXMMHFFN	Male Hose Adaptor 3/4" MHT x 3/4" MIP
PFXMHFFN	Male Hose Union 3/4" MHT x 3/4" MHT
PFXBFHDFN	Female Hose Swivel Barb Adaptor 3/4" FHT x 1/2" ID Hose Barb
PFXBFHEFN	Female Hose Swivel Barb Adaptor 3/4" FHT x 5/8" ID Hose Barb

SKU	Description
PFXBFHFFN	Female Hose Swivel Barb Adaptor 3/4" FHT x 3/4" ID Hose Barb
PFXFFHSDFN	Female Swivel Hose Adaptor 3/4" FHT x 1/2" FIP
PFXFHHSFFN	Female Swivel Hose Union 3/4" FHT x 3/4" FHT
PFXFFHSFFN	Female Swivel Hose Adaptor 3/4" FHT x 3/4" FIP
PFXMHAAN	Male Hose Barb Adaptor 1/8" ID Hose Barb x 1/8" MIP
PFXBMHFFN	Male Hose Barb Adaptor 3/4" MHT x 3/4" 5/8" ID Hose Barb
PFXHWFFN	Y Hose Fitting 3/4" FHT x 3/4" MHT x 3/4" MHT
PFXDEDN	Garden Hose Dishwasher Elbow 3/4" FHT x 1/2" OD Tube
PFXDEN	Garden Hose Dishwasher Elbow 3/4" FHT x 3/8" OD Tube
PFXGHCFN	Garden Hose Cap 3/4" FHT
PFRGHWN	Rubber Garden Hose Washer For 3/4" FHT

## Listings & Certifications

- Low Lead Compliant and product CSA certified to NSF/ANSI 372 – Drinking water system components – Lead Content, and conforms to the requirements for “lead free” plumbing products as defined by California, Vermont, Maryland, and Louisiana state law and by Section 1417 of the US Safe Drinking Water Act.

