



Brass Barb Fittings

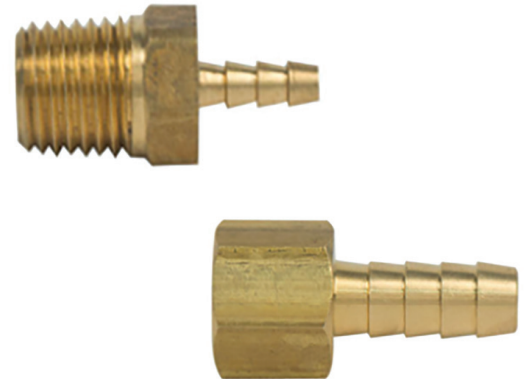
Use: For use with plastic or rubber tubing. Installation requires a hose clamp.

Design Features

- Manufactured with dryseal pipe threads
- Available in a broad range of sizes
- Compatible with ANSF B1.20.1
- Low lead compliant

Operating Specifications

Temperature: -40° – 160° F
Working Pressure: 150 PSI maximum



Fitting Material Specifications	
Body	Low Lead Compliant
Nut (if applicable)	Brass

SKU	Description
PFXMHBABN	Male Hose Barb Adaptor 1/8" ID Hose Barb x 1/4" MIP
PFXMHBBAN	Male Hose Barb Adaptor 1/4" ID Hose Barb x 1/8" MIP
PFXFHBBBN	Female Hose Barb Adaptor 1/4" ID Hose Barb x 1/4" FIP
PFXMHBBBN	Male Hose Barb Adaptor 1/4" ID Hose Barb x 1/4" MIP
PFXMHBBCN	Male Hose Barb Adaptor 1/4" ID Hose Barb x 3/8" MIP
PFXMHBBDN	Male Hose Barb Adaptor 1/4" ID Hose Barb x 1/2" MIP
PFXMHBCBN	Male Hose Barb Adaptor 3/8" ID Hose Barb x 1/4" MIP
PFXFHBCCN	Female Hose Barb Adaptor 3/8" ID Hose Barb x 3/8" FIP

SKU	Description
PFXMHBCCN	Male Hose Barb Adaptor 3/8" ID Hose Barb x 3/8" MIP
PFXMHBCDN	Male Hose Barb Adaptor 3/8" ID Hose Barb x 1/2" MIP
PFXMHBDN	Male Hose Barb Adaptor 1/2" ID Hose Barb x 3/8" MIP
PFXMHBDN	Male Hose Barb Adaptor 1/2" ID Hose Barb x 1/2" MIP
PFXMHBDFN	Male Hose Barb Adaptor 1/2" ID Hose Barb x 3/4" MIP
PFXMHBEFN	Male Hose Barb Adaptor 5/8" ID Hose Barb x 3/4" MIP
PFXMHBFDN	Male Hose Barb Adaptor 3/4" ID Hose Barb x 1/2" MIP
PFXMHBGGN	Male Hose Barb Adaptor 1" ID Hose Barb x 1" MIP

Listings & Certifications

Low Lead Compliant CSA certified to NSF/ANSI 372 – Drinking water system components – Lead Content, and conforms to the requirements for “lead free” plumbing products as defined by California, Vermont, Maryland, and Louisiana state law and by Section 1417 of the US Safe Drinking Water Act.





Brass Compression Fittings

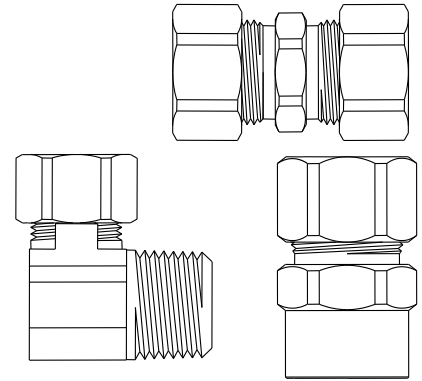
Use: For use with potable water, instrumentation, hydraulic, and pneumatic systems. Designed for use with aluminum, copper, and plastic tubing. Not intended for use with steel tubing.

Design Features

- Little to no tube preparation. Compression fittings do not require flaring, soldering, or other types of tube preparation
- Compatible with SAEJ512

Operating Specifications

- Temperature:** -65° – 250° F at maximum operating pressures
Working Pressure: See chart below
Vibration: Fair vibration resistance



Fitting Material Specifications	
Body	Low Lead Compliant
Compression Sleeve	Brass
Compression Nut	Brass

Working Pressure		
PSI	Tube OD (Inches)	Tube Wall (Inches)
400	1/8	0.030
400	3/16	0.030
300	1/4	0.030
300	5/16	0.032
200	3/8	0.032
200	1/2	0.032
150	5/8	0.035
100	3/4	0.035
75	7/8	0.035

SKU	Description
PFCSAN	Sleeve For 1/8" OD Tube
PFPCSBN	Plastic Sleeve For 1/4" OD Tube
PFPCSDN	Plastic Sleeve For 1/2" OD Tube
PFPCSCN	Plastic Sleeve For 3/8" OD Tube
PFPCSEN	Plastic Sleeve For 5/8" OD Tube
PFCNAN	Nut For 1/8" OD Tube
PFCNDNN	Nut For 1/2" OD Tube
PFCNEN	Compression Nut For 5/8" OD Tube
PFXBRIDN	Brass Insert For 1/2" OD Tube
PFXBRIEN	Brass Insert For 5/8" OD Tube
PFXCCBN	Cap 1/4" OD Tube
PFXCCCN	Cap 3/8" OD Tube
PFXCPCN	Plug For 3/8" OD Tube
PFXMCUAAN	Male Adaptor 1/8" OD Tube x 1/8" MIP
PFXMCUBAN	Male Reducing Adaptor 1/4" OD Tube x 1/8" MIP
PFXMCUBBN	Male Adaptor 1/4" OD Tube x 1/4" MIP

SKU	Description
PFCSDN	Sleeve For 1/2" OD Tube
PFCSCN	Sleeve For 3/8" OD Tube
PFCSEN	Sleeve For 5/8" OD Tube
PFCST78N	Sleeve For 7/8" OD Tube
PFCNBN	Nut For 1/4" OD Tube
PFCNCNN	Nut For 3/8" OD Tube
PFXBRIBN	Brass Insert For 1/4" OD Tube
PFXBRICN	Brass Insert For 3/8" OD Tube
PFXSSIEN	Stainless Steel Insert For 5/8" OD Tube
PFXCCDN	Cap 1/2" OD Tube
PFXCCEN	Cap 5/8" OD Tube
PFXLNPCN	Lav Nose Piece
PFXFCUBAN	Female Reducing Adaptor 1/4" OD Tube x 1/8" FIP
PFXFCUBBN	Female Adaptor 1/4" OD Tube x 1/4" FIP
PFXFCUBCN	Female Reducing Adaptor 1/4" OD Tube x 3/8" FIP



Brass Compression Fittings

SKU	Description
PFXMCUBCN	Male Reducing Adaptor 1/4" OD Tube x 3/8" MIP
PFXMCUBDN	Male Reducing Adaptor 1/4" OD Tube x 1/2" MIP
PFXCARBDBN	Sweat Reducing Adaptor 1/2" Nominal Sweat x 1/4" OD Tube
PFXMCUDDN	Male Adaptor 1/2" OD Tube x 1/2" MIP
PFXMCADCCPN	Male Reducing Adaptor 3/8" OD Tube x 1/2" MIP
PFXMCRADCN	Male Reducing Adaptor 1/2" OD Tube x 3/8" MIP
PFXMCUCAN	Male Reducing Adaptor 3/8" OD Tube x 1/8" MIP
PFXMCUCBCP	Male Reducing Adaptor 3/8" OD Tube x 1/4" MIP
PFXFCUCDN	Female Reducing Adaptor 3/8" OD Tube x 1/2" FIP
PFXFCUCDCPN	Female Reducing Adaptor 3/8" OD Tube x 1/2" FIP
PFXFCUCCN	Female Adaptor 3/8" OD Tube x 3/8" FIP
PFXMCUCPCCN	Male Adaptor 3/8" OD Tube x 3/8" MIP
PFXMCACCCPN	Adaptor 3/8" OD Tube x 3/8" MIP
PFXFCUECN	Female Reducing Adaptor 5/8" OD Tube x 3/8" FIP
PFXFCUEDN	Female Reducing Adaptor 5/8" OD Tube x 1/2" FIP
PFXMCUEFN	Male Reducing Adaptor 5/8" OD Tube x 3/4" MIP
PFXMCU78FN	Male Reducing Adaptor 7/8" OD Tube x 3/4" MIP
PFXMCEBAN	Male Reducing Elbow Adaptor 1/4" OD Tube x 1/8" MIP
PFXMCEBBN	Male Elbow Adaptor 1/4" OD Tube x 1/4" MIP
PFXMCEDCN	Male Reducing Elbow Adaptor 1/2" OD Tube x 3/8" MIP
PFXCEDDN	Union Elbow 1/2" OD Tube x 1/2" OD Tube
PFXMCECBN	Male Reducing Elbow Adaptor 3/8" OD Tube x 1/4" MIP
PFXMCECCN	Male Elbow Adaptor 3/8" OD Tube x 3/8" MIP
PFXFCECDN	Female Elbow Reducing Adaptor 3/8" OD Tube x 1/2" FIP
PFXMCECDN	Male Reducing Elbow Adaptor 3/8" OD Tube x 1/2" MIP
PFXCEECCPN	Reducing Union Elbow 5/8" OD Tube x 3/8" OD Tube
PFXCEEEN	Union Elbow 5/8" OD Tube x 5/8" OD Tube
PFXGUDCN	Reducing Union 1/2" OD Tube x 3/8" OD Tube
PFXCUCBN	Reducing Union 3/8" OD Tube x 1/4" OD Tube
PFXCUBECPCN	Union 3/8" OD Tube x 3/8" OD Tube
PFXCUECN	Reducing Union 5/8" OD Tube x 3/8" OD Tube
PFXCCUEN	Union 5/8" OD Tube x 5/8" OD Tube
PFXCUACCN	Flare Compression Adaptor 3/8" Female Flare x 3/8" OD Tube
PFXCTDN	Tee 1/2" OD Tube x 1/2" OD Tube x 1/2" OD Tube
PFXCTCCBN	Reducing Tee 3/8" OD Tube x 3/8" OD Tube x 1/4" OD Tube
PFXCTCN	Tee 3/8" OD Tube x 3/8" OD Tube x 3/8" OD Tube
PFXCTEN	Tee 5/8" OD Tube x 5/8" OD Tube x 5/8" OD Tube

SKU	Description
PFXFCUBDN	Female Reducing Adaptor 1/4" OD Tube x 1/2" FIP
PFXMCUDBN	Male Reducing Adaptor 1/2" OD Tube x 1/4" MIP
PFXFCUDDN	Female Adaptor 1/2" OD Tube x 1/2" FIP
PFXFCUDCN	Female Reducing Adaptor 1/2" OD Tube x 3/8" FIP
PFXARBDCN	Compression Sweat Adaptor 1/2" Nominal Sweat x 3/8" OD Tube
PFXMCUDFN	Male Reducing Adaptor 1/2" OD Tube x 3/4" MIP
PFXFCUCBN	Female Reducing Adaptor 3/8" OD Tube x 1/4" FIP
PFXMCUCBN	Male Reducing Adaptor 3/8" OD Tube x 1/4" MIP
PFXMCUCDN	Male Reducing Adaptor 3/8" OD Tube x 1/2" MIP
PFXMCUCDCPN	Male Reducing Adaptor 3/8" OD Tube x 1/2" MIP
PFXMCUCCN	Male Adaptor 3/8" OD Tube x 3/8" MIP
PFXFCACCCPN	Adaptor 3/8" OD Tube x 3/8" FIP
PFXMCUCFN	Male Reducing Adaptor 3/8" OD Tube x 3/4" MIP
PFXMCUECN	Male Reducing Adaptor 5/8" OD Tube x 3/8" MIP
PFXMCUEDN	Male Reducing Adaptor 5/8" OD Tube x 1/2" MIP
PFXFCU78FN	Female Reducing Adaptor 7/8" OD Tube x 3/4" FIP
PFXMCU78GN	Male Reducing Adaptor 7/8" OD Tube x 1" MIP
PFXCEBBN	Union Elbow 1/4" OD Tube x 1/4" OD Tube
PFXMCEBCN	Male Reducing Elbow Adaptor 1/4" OD Tube x 3/8" MIP
PFXMCEDDN	Male Elbow Adaptor 1/2" OD Tube x 1/2" MIP
PFXMCECAN	Male Reducing Elbow Adaptor 3/8" OD Tube x 1/8" MIP
PFXFCECCN	Female Elbow Adaptor 3/8" OD Tube x 3/8" FIP
PFXCECCN	Union Elbow 3/8" OD Tube x 3/8" OD Tube
PFXFCECCPCDN	Female Elbow Reducing Adaptor 3/8" OD Tube x 1/2" FIP
PFXCEECN	Reducing Union Elbow 5/8" OD Tube x 3/8" OD Tube
PFXMCEEDN	Male Reducing Elbow Adaptor 5/8" OD Tube x 1/2" MIP
PFXCUBN	Union 1/4" OD Tube x 1/4" OD Tube
PFXCUDN	Union 1/2" OD Tube x 1/2" OD Tube
PFXCUCN	Union 3/8" OD Tube x 3/8" OD Tube
PFXCUEDN	Reducing Union 5/8" OD Tube x 1/2" OD Tube
PFXCUECCPN	Reducing Union 5/8" OD Tube x 3/8" OD Tube
PFXCU78N	Union 7/8" OD Tube x 7/8" OD Tube
PFXCTBN	Tee 1/4" OD Tube x 1/4" OD Tube x 1/4" OD Tube
PFXCTFCBCN	Female Tee Adaptor 3/8" OD Female x 3/8" OD Tube x 1/4" OD Tube
PFXCTFCCCN	Female Tee Adaptor 3/8" OD Female x 3/8" OD Tube x 3/8" OD Tube
PFXCTCCPN	Tee 3/8" OD Tube x 3/8" OD Tube x 3/8" OD Tube

Listings & Certifications

Low Lead Compliant CSA certified to NSF/ANSI 372 – Drinking water system components – Lead Content, and conforms to the requirements for “lead free” plumbing products as defined by California, Vermont, Maryland, and Louisiana state law and by Section 1417 of the US Safe Drinking Water Act.





Brass Flare Fittings

Use: For use with fuel, oil, liquefied petroleum (LP), and natural gas lines. Designed for use with aluminum, copper, brass, and welded steel tubing that can be flared.

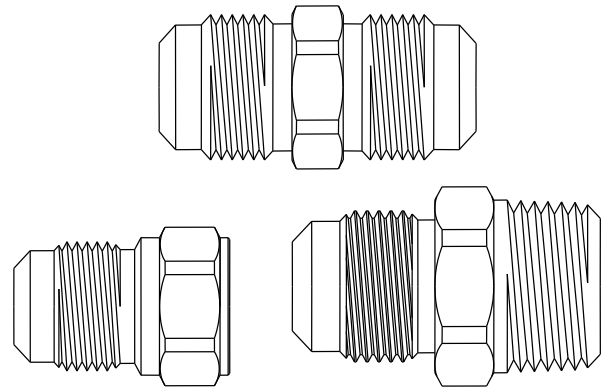
Design Features

- Recommended for higher pressures than those covered by compression fittings
- Resist mechanical pull-out
- Compatible with SAEL512 or SAEJ513

Operating Specifications

- Temperature:** -65° – 250° F at maximum operating pressures
Working Pressure: See chart below
Vibration: Good vibration resistance*

*Recommend long flare nuts when greater vibration resistance is required



Fitting Material Specifications	
Body	Brass

SKU	Description
PFFCB	Cap 1/4" OD Tube
PFFCD	Cap 1/2" OD Tube
PFFCE	Cap 5/8" OD Tube
PFFPD	Plug 1/2" OD Tube
PFFTD	Tee 1/2" OD Tube x 1/2" OD Tube x 1/2" OD Tube
PFMFECB	Male Reducing Elbow Adaptor 3/8" OD Tube x 1/4" MIP
PFMFECC	Male Elbow 3/8" OD Tube x 3/8" MIP
PFMFEDC	Male Reducing Elbow Adaptor 1/2" OD Tube x 3/8" MIP
PFMFEED	Male Reducing Elbow Adaptor 5/8" OD Tube x 1/2" MIP
PFFUB	Union 1/4" OD Tube x 1/4" OD Tube
PFMFUBB	Male Adaptor 1/4" OD Tube x 1/4" MIP
PFMFUBD	Male Reducing Adaptor 1/4" OD Tube x 1/2" MIP
PFMFUCA	Male Reducing Adaptor 3/8" OD Tube x 1/8" MIP
PFMFUCB	Male Reducing Adaptor 3/8" OD Tube x 1/4" MIP
PFMFUCC	Male Adaptor 3/8" OD Tube x 3/8" MIP
PFMFUCD	Male Reducing Adaptor 3/8" OD Tube x 1/2" MIP
PFMFUCF	Male Reducing Adaptor 3/8" OD Tube x 3/4" MIP
PFMFUDB	Male Reducing Adaptor 1/2" OD Tube x 1/4" MIP
PFFUDD	Female Adaptor 1/2" OD Tube x 1/2" FIP
PFMUSTLD	Steel Adaptor 1/2" OD Tube x 1/2" MIP

SKU	Description
PFFCC	Cap 3/8" OD Tube
PFFCEFT	Cap 5/8" OD (15/16-16 Thread)
PFFPC	Plug 3/8" OD Tube
PFFTC	Tee 3/8" OD Tube x 3/8" OD Tube x 3/8" OD Tube
PFMFEBB	Male Elbow Adaptor 1/4" OD Tube x 1/4" MIP
PFMBRFECC	Male Elbow Adaptor 3/8" OD Tube x 3/8" MIP
PFMFECD	Male Reducing Elbow Adaptor 3/8" OD Tube x 1/2" MIP
PFMBRFEDD	Male Elbow Adaptor 1/2" OD Tube x 1/2" MIP
PFMFEFF	Male Elbow 3/4" OD Tube x 3/4" MIP
PFMFUBA	Male Reducing Adaptor 1/4" OD Tube x 1/8" MIP
PFMFUBC	Male Reducing Adaptor 1/4" OD Tube x 3/8" MIP
PFFUC	Union 3/8" OD Tube x 3/8" OD Tube
PFFUCB	Female Reducing Adaptor 3/8" OD Tube x 1/4" FIP
PFFUCC	Female Adaptor 3/8" OD Tube x 3/8" FIP
PFFUCD	Female Reducing Adaptor 3/8" OD Tube x 1/2" FIP
PFFUCD	Reducing Union 1/2" OD Tube x 3/8" OD Tube
PFFUD	Union 1/2" OD Tube x 1/2" OD Tube
PFMFUDD	Male Reducing Adaptor 1/2" OD Tube x 3/8" MIP
PFMFUDD	Male Adaptor 1/2" OD Tube x 1/2" MIP
PFFUDD	Female Reducing Adaptor 1/2" OD Tube x 3/4" FIP



Brass Flare Fittings

PFMFUDF	Male Reducing Adaptor 1/2" OD Tube x 3/4" MIP
PFFUE	Union 5/8" OD Tube x 5/8" OD Tube
PFOMFUED	Male Reducing Adaptor 5/8" OD Tube x 1/2" MIP
PFOMFUFEF	Male Reducing Adaptor 5/8" OD Tube x 3/4" MIP
PFMFU78F	Male Reducing Adaptor 7/8" OD Tube x 3/4" MIP
PFSFNC	Short Nut 3/8" OD Tube
PFSFNE	Short Nut 5/8" OD Tube
PFSFN78	Short Nut 7/8" OD Tube
PFSNVCD	Swivel Nut Valve Connector 1/2" OD Tube x 1/2" OD Tube
PFSRFNFC	Short Refrigeration Flare Nut Forged 3/8" OD Tube
PFSRFNFE	Short Refrigeration Flare Nut Forged 5/8" OD Tube

PFFFU516B	Female Reducing Adaptor 5/16" OD Tube x 1/4" FIP
PFOFFUED	Female Reducing Adaptor 5/8" OD Tube x 1/2" FIP
PFFUED	Reducing Union 5/8" OD Tube x 1/2" OD Tube
PFMFUFF	Male Adaptor 3/4" OD Tube x 3/4" MIP
PFSFNB	Short Nut 1/4" OD Tube
PFSFND	Short Nut 1/2" OD Tube
PFSFNF	Short Nut 3/4" OD Tube
PFSNVCC	Swivel Nut Valve Connector 3/8" OD Tube x 3/8" OD Tube
PFSRFNFB	Short Refrigeration Flare Nut Forged 1/4" OD Tube
PFSRFNFD	Short Refrigeration Flare Nut Forged 1/2" OD Tube

MAXIMUM WORKING PRESSURES

Service Conditions	Tube OD	Type of Tubing and Wall Thickness (Inches)									
		Copper – Dead Soft (Seamless)					Copper – Half Hard (Seamless)				
		.030"	.032"	.035"	.049"	.065"	.032"	.035"	.042"	.049"	.065"
Safety Factor 4-1	1/8	4300		5000			5000				
	3/16	2850		3300			3400				
	1/4	2100	2250	2500			2500				
	5/16		1800	2000			2000				
	3/8		1500	1650			1700	1850			
	1/2		1100	1250		2000	1250	1400			2600
	5/8			1000	1400	1800	1000			1500	2000
	3/4			850	1150	1500			1100		1700
	7/8								1100	1500	
Safety Factor 6-1	1/8	2800		3350			3400				
	3/16	1900		2200			2250				
	1/4	1430	1500	1650			1700				
	5/16		1200	1300			1350				
	3/8		100	1100			1100	1200			
	1/2		750	825		1550	850	925			1750
	5/8			650	930	1200	675			1000	1350
	3/4			550	775	1000			725		1100
	7/8								750	1000	



Brass Hose Fittings

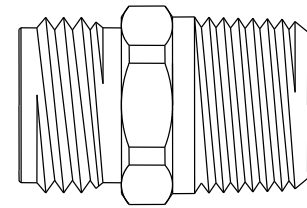
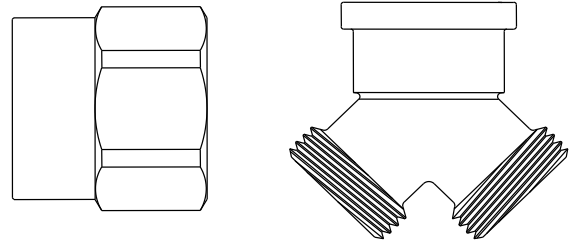
Use: For use with residential and commercial grade garden hose, all female hose thread connections require a rubber washer inserted prior to installation.

Design Features

- Compatible with ANSF B1.20.1
- Low lead compliant

Operating Specifications

Temperature: -35° – 100°F at maximum operating pressures
Working Pressure: 75 PSI maximum, intermittent to 150 PSI



Fitting Material Specifications	
Body	Low Lead Compliant Brass
Hose Washer	Rubber

SKU	Description
PFXFFHDFN	Female Hose Adaptor 1/2" FIP x 3/4" FHT
PFXFMHDFN	Male Hose Adaptor 3/4" MHT x 1/2" FFIP
PFXMFHDFN	Female Hose Adaptor 3/4" FHT x 1/2" MIP
PFXMMHDFN	Male Hose Adaptor 3/4" MHT x 1/2" MIP
PFXMFMHDFN	Male Hose Adaptor 3/4" MHT x 1/2" FIP (3/4" MIP)
PFXFFHFFN	Male Hose Adaptor 3/4" MHT x 3/4" FIP
PFXMFHFFN	Female Hose Adaptor 3/4" FHT x 3/4" MIP
PFXMMHFFN	Male Hose Adaptor 3/4" MHT x 3/4" MIP
PFXMHFFN	Male Hose Union 3/4" MHT x 3/4" MHT
PFXBFHDFN	Female Hose Swivel Barb Adaptor 3/4" FHT x 1/2" ID Hose Barb
PFXBFHEFN	Female Hose Swivel Barb Adaptor 3/4" FHT x 5/8" ID Hose Barb

SKU	Description
PFXBFHFFN	Female Hose Swivel Barb Adaptor 3/4" FHT x 3/4" ID Hose Barb
PFXFFHSDFN	Female Swivel Hose Adaptor 3/4" FHT x 1/2" FIP
PFXFHHSFFN	Female Swivel Hose Union 3/4" FHT x 3/4" FHT
PFXFFHSFFN	Female Swivel Hose Adaptor 3/4" FHT x 3/4" FIP
PFXMHAAN	Male Hose Barb Adaptor 1/8" ID Hose Barb x 1/8" MIP
PFXBMHFFN	Male Hose Barb Adaptor 3/4" MHT x 3/4" 5/8 ID Hose Barb
PFXHWWFN	Y Hose Fitting 3/4" FHT x 3/4" MHT x 3/4" MHT
PFXDEDN	Garden Hose Dishwasher Elbow 3/4" FHT x 1/2" OD Tube
PFXDEN	Garden Hose Dishwasher Elbow 3/4" FHT x 3/8" OD Tube
PFXGHCFN	Garden Hose Cap 3/4" FHT
PFRGHWN	Rubber Garden Hose Washer For 3/4" FHT

Listings & Certifications

Low Lead Compliant and product CSA certified to NSF/ANSI 372 – Drinking water system components – Lead Content, and conforms to the requirements for “lead free” plumbing products as defined by California, Vermont, Maryland, and Louisiana state law and by Section 1417 of the US Safe Drinking Water Act.

