



UASL

Parts List
30-September-2017



*This parts list is current as of the above revision date.
See <http://www.rheempartslists.net/92-42801-UASL.pdf> for the current revision.*

Condensing Units

Table of Contents

Model Explanation	Page 3
Parts Numbers	
Panels - Miscellaneous (Granite-Steel Gray)	Page 4
Panels - Miscellaneous (Neutra Green)	Page 5
Electrical Group	Page 6
Fan Group	Page 7
Coil Parts	Page 8
Compressor Group	Page 9
Accessories	Page 10
Drawings/Photographs	
Exploded View	Page 11
Control Box Assembly (JAZ)	Page 12
Control Box Assembly (JEZ, JEC).....	Page 13
Notes	Page 14

MODEL NUMBER EXPLANATION

U	A	S	L	-	0	2	4	J	E	Z
(1)	(2)	(3)	(4)			(5)		(6)	(7)	(8)

(1)TRADEBRAND IDENTIFICATION

(2)MODEL

A= Condensing Unit

(3)TYPE

S= Super High Efficiency

(4)DESIGN SERIES / VARIATION

(5)COOLING CAPACITY

024= 24,000 BTU/HR
 025= 24,000 BTU/HR
 036= 36,000 BTU/HR
 037= 36,000 BTU/HR
 039= 39,000 BTU/HR
 048= 48,000 BTU/HR
 060= 60,000 BTU/HR

(6)ELECTRICAL DESIGNATION

J= 208-230/1/60

(7)VARIATIONS

A= Standard Model
 E= Electronic Model

(8)COMPRESSOR

Z= Scroll
 C= Scroll/Serial Communicating

SERIAL NUMBER EXPLANATION

6	7	6	1	M	0	1	0	9	0	7	9	9	9
(1)				(2)		(3)		(4)		(5)			

(1) COMPRESSOR IDENTIFICATION NUMBER

(2) PRODUCTION LOCATION

F= Ft. Smith, AR
 M= Milledgeville, GA
 W= Nuevo Laredo, MX

(3) WEEK OF PRODUCTION

(4) YEAR OF PRODUCTION

(5) PRODUCTION NUMBER

No.	Notes	MODEL COOLING CAPACITY VARIATION	UASL -024 JEC	UASL -025 JEC	UASL -036 JEC	UASL -037 JEC	UASL -039 JEC	UASL -048 JEC	UASL -060 JEC
SHEET METAL PARTS, MISCELLANEOUS (Granite/Steel Gray, After Date Code 4811)									
1		Base Pan	AE-58426-83	AE-58426-83	AE-58426-83	AE-58426-83	AE-58426-85	AE-58426-85	AE-58426-85
2		Button Plug	45-22980-07	45-22980-07	45-22980-07	45-22980-07	45-22980-07	45-22980-07	45-22980-07
3		Cabinet	AE-100609-87	AE-100609-87	AE-100609-87	AE-100609-87	AE-100609-87	AE-100609-87	AE-100609-87
4		Top Panel	AE-100618-85	AE-100618-85	AE-100618-85	AE-100618-85	AE-100618-85	AE-100618-85	AE-100618-85
5		Grille	95-100906-06	95-100906-06	95-100906-06	95-100906-06	95-100906-06	95-100906-06	95-100906-06
6	1	Control Box - See Note 1	10-102307-05	10-102307-05	10-102307-05	10-102307-05	10-102721-01	10-102721-01	10-102721-01
		Control Box Dust Cover	10-102360-02	10-102360-02	10-102360-02	10-102360-02	10-102360-03	10-102360-03	10-102360-03
6a		Capacitor Adapter Plate (2 in. round capacitor)	AE-54609-01	AE-54609-01	AE-54609-01	AE-54609-01	AE-54609-01	AE-54609-01	AE-54609-01
6a		Capacitor Adapter Plate (2 in. x 1-1/4 in. oval capacitor)	AE-54609-02	AE-54609-02	AE-54609-02	AE-54609-02	AE-54609-02	AE-54609-02	AE-54609-02
6b		Capacitor Strap	AE-50892-51	AE-50892-51	AE-50892-51	AE-50892-51	AE-50892-51	AE-50892-51	AE-50892-51
7		Access Panel	AE-100617-87	AE-100617-87	AE-100617-87	AE-100617-87	AE-100617-87	AE-100617-87	AE-100617-87
8		Service Valve - Suction	61-21368-15	61-21368-15	61-21368-15	61-21368-15	61-21368-24	61-21368-24	61-21368-16
9		Service Valve - Liquid	61-101160-13	61-101160-13	61-101160-13	61-101160-13	61-101160-13	61-101160-13	61-101160-13
		Touch-up Paint - Granite/Steel Gray (Aerosol)	PD523018	PD523018	PD523018	PD523018	PD523018	PD523018	PD523018
		Touch-up Paint - Granite/Steel Gray (Paint Pens)	PD523019	PD523019	PD523019	PD523019	PD523019	PD523019	PD523019

No.	Notes	MODEL COOLING CAPACITY VARIATION	UASL -024 JEZ	UASL -025 JEZ	UASL -036 JEZ	UASL -037 JEZ			
SHEET METAL PARTS, MISCELLANEOUS (Granite/Steel Gray, After Date Code 4811)									
1		Base Pan	AE-58426-83	AE-58426-83	AE-58426-83	AE-58426-83			
2		Button Plug	45-22980-07	45-22980-07	45-22980-07	45-22980-07			
3		Cabinet	AE-100609-87	AE-100609-87	AE-100609-87	AE-100609-87			
4		Top Panel	AE-100618-85	AE-100618-85	AE-100618-85	AE-100618-85			
5		Grille	95-100906-06	95-100906-06	95-100906-06	95-100906-06			
6	1	Control Box - See Note 1	10-102307-03	10-102307-03	10-102307-03	10-102307-03			
		Control Box Dust Cover	10-102360-01	10-102360-01	10-102360-01	10-102360-01			
6a		Capacitor Adapter Plate (2 in. round capacitor)	AE-54609-01	AE-54609-01	AE-54609-01	AE-54609-01			
6a		Capacitor Adapter Plate (2 in. x 1-1/4 in. oval capacitor)	AE-54609-02	AE-54609-02	AE-54609-02	AE-54609-02			
6b		Capacitor Strap	AE-50892-51	AE-50892-51	AE-50892-51	AE-50892-51			
7		Access Panel	AE-100617-87	AE-100617-87	AE-100617-87	AE-100617-87			
8		Service Valve - Suction	61-21368-15	61-21368-15	61-21368-15	61-21368-15			
9		Service Valve - Liquid	61-101160-13	61-101160-13	61-101160-13	61-101160-13			
		Touch-up Paint - Granite/Steel Gray (Aerosol)	PD523018	PD523018	PD523018	PD523018			
		Touch-up Paint - Granite/Steel Gray (Paint Pens)	PD523019	PD523019	PD523019	PD523019			

No.	Notes	MODEL COOLING CAPACITY VARIATION	UASL -024 JEC	UASL -036 JEC	UASL -039 JEC	UASL -048 JEC	UASL -060 JEC
SHEET METAL PARTS, MISCELLANEOUS (Neutra Green, Before Date Code 4811)							
1		Base Pan	AE-58426-03	AE-58426-03	AE-58426-05	AE-58426-05	AE-58426-05
2		Button Plug	45-22980-07	45-22980-07	45-22980-07	45-22980-07	45-22980-07
3		Cabinet	AE-100609-07	AE-100609-07	AE-100609-07	AE-100609-07	AE-100609-07
4		Top Panel	AE-100618-05	AE-100618-05	AE-100618-05	AE-100618-05	AE-100618-05
5		Grille	95-100906-06	95-100906-06	95-100906-06	95-100906-06	95-100906-06
6	1	Control Box - See Note 1	10-102307-05	10-102307-05	10-102721-01	10-102721-01	10-102721-01
		Control Box Dust Cover	10-102360-02	10-102360-02	10-102360-03	10-102360-03	10-102360-03
6a		Capacitor Adapter Plate (2 in. round capacitor)	AE-54609-01	AE-54609-01	AE-54609-01	AE-54609-01	AE-54609-01
6a		Capacitor Adapter Plate (2 in. x 1-1/4 in. oval capacitor)	AE-54609-02	AE-54609-02	AE-54609-02	AE-54609-02	AE-54609-02
6b		Capacitor Strap	AE-50892-51	AE-50892-51	AE-50892-50	AE-50892-50	AE-50892-50
7		Access Panel	AE-100617-07	AE-100617-07	AE-100617-07	AE-100617-07	AE-100617-07
8		Service Valve - Suction (Before W1410)	61-21368-15	61-21368-15	61-21368-16	61-21368-16	61-21368-16
8		Service Valve - Suction (On or After W1410)	61-21368-15	61-21368-15	61-21368-24	61-21368-24	61-21368-16
9		Service Valve - Liquid	61-101160-13	61-101160-13	61-101160-13	61-101160-13	61-101160-13
		Touch-up Paint (Aerosol)	52-18662-48	52-18662-48	52-18662-48	52-18662-48	52-18662-48
		Touch-up Paint (Paint Pens)	523010	523010	523010	523010	523010

No.	Notes	MODEL COOLING CAPACITY VARIATION	UASL -024 JEC	UASL -036 JAZ/JEZ			
SHEET METAL PARTS, MISCELLANEOUS (Neutra Green, Before Date Code 4811)							
1		Base Pan	AE-58426-03	AE-58426-03			
2		Button Plug	45-22980-07	45-22980-07			
3		Cabinet	AE-100609-07	AE-100609-07			
4		Top Panel	AE-100618-05	AE-100618-05			
5		Grille	95-100906-06	95-100906-06			
6		Control Box - JAZ models	N/A	AE-100633-01			
6	1	Control Box - JEZ models - See Note 1	10-102307-03	10-102307-03			
		Control Box Dust Cover - JAZ models	N/A	AE-101222-01			
		Control Box Dust Cover - JEZ models	10-102360-01	10-102360-01			
6a		Capacitor Adapter Plate (2 in. round capacitor)	AE-54609-01	AE-54609-01			
6a		Capacitor Adapter Plate (2 in. x 1-1/4 in. oval capacitor)	AE-54609-02	AE-54609-02			
6b		Capacitor Strap	AE-50892-51	AE-50892-51			
7		Access Panel	AE-100617-07	AE-100617-07			
8		Service Valve - Suction (Before M0307) - JAZ models	N/A	61-101160-21			
8		Service Valve - Suction (On or after M0307) - JAZ models	N/A	61-21368-15			
8		Service Valve - Suction - JEZ models	61-21368-15	61-21368-15			
9		Service Valve - Liquid	61-101160-13	61-101160-13			
		Touch-up Paint (Aerosol)	52-18662-48	52-18662-48			
		Touch-up Paint (Paint Pens)	523010	523010			

No.	Notes	MODEL COOLING CAPACITY VARIATION	UASL -024 JEC	UASL -025 JEC	UASL -036 JEC	UASL -037 JEC	UASL -039 JEC	UASL -048 JEC	UASL -060 JEC
ELECTRICAL GROUP									
CONTROL BOX COMPONENTS:									
11		Capacitor - Fan Motor/Compressor	See Compressor Group						
12		Start Relay	See Compressor Group						
13		Capacitor - Compressor Start	See Compressor Group						
14	Stk	Control Board - Two Stage (Before W0910)	47-102090-04 (1)	N/A	47-102090-04 (1)	N/A	47-102090-04 (2)	47-102090-04 (2)	47-102090-04 (2)
14	Stk	Control Board - Two Stage (On or After W0910)	47-102090-04 (1)	47-102090-08 (1)	47-102090-04 (1)	47-102090-08 (1)	47-102090-08 (1)	47-102090-08 (1)	47-102090-08 (1)
14	Stk	Control Board - Tandem Secondary (On or After W0910)	N/A	N/A	N/A	N/A	47-102090-07 (1)	47-102090-07 (1)	47-102090-07 (1)
	Stk	Low Ambient Sensor	47-102709-01	47-102709-01	47-102709-01	47-102709-01	47-102709-01	47-102709-01	47-102709-01
		Control - Identity EEPROM (Before W0910)	47-102738-71 (1)	47-102738-99 (1)	47-102738-72 (1)	47-102738-10 0 (1)	47-102738-73 (2)	47-102738-74 (2)	47-102738-75 (2)
		Control - Identity EEPROM (On or After W0910)	47-102738-71 (1)	47-102738-99 (1)	47-102738-72 (1)	47-102738-10 0 (1)	N/A	N/A	N/A
		Control - Identity EEPROM (On or After W0910) - Tandem Primary	N/A	N/A	N/A	N/A	47-102738-80 (1)	47-102738-82 (1)	47-102738-84 (1)
		Control - Identity EEPROM (On or After W0910) - Tandem Secondary	N/A	N/A	N/A	N/A	47-102738-81 (1)	47-102738-83 (1)	47-102738-85 (1)
		Terminal Block	N/A	N/A	N/A	N/A	45-22246-04	45-22246-04	45-22246-04
		Wiring Harness - Fan Motor	See Fan Group						
	1	Wiring Harnesses	See Note 1						
		Wiring Harnesses - 9 pin, 4 wires to 3 quick connects (Before W0910)	N/A	N/A	N/A	N/A	45-102134-07	45-102134-07	45-102134-07
		Wiring Harnesses - 9 pin, 6 wires to 3 quick connects and 1 (two pin) connector (On or After W0910)	N/A	N/A	N/A	N/A	45-102134-09	45-102134-09	45-102134-09
		Wiring Harnesses - 9 pin, 7 wires to strip leads (Before W0910)	N/A	N/A	N/A	N/A	45-102134-06	45-102134-06	45-102134-06
		Wiring Harnesses - 9 pin, 7 wires to strip leads (On or After W0910)	N/A	N/A	N/A	N/A	45-102134-08	45-102134-08	45-102134-08

No.	Notes	MODEL COOLING CAPACITY VARIATION	UASL -024 JEZ	UASL -025 JEZ	UASL -036 JEZ	UASL -037 JEZ			
ELECTRICAL GROUP									
CONTROL BOX COMPONENTS:									
11		Capacitor - Fan Motor/Compressor	See Compressor Group						
12		Start Relay	See Compressor Group						
13		Capacitor - Compressor Start	See Compressor Group						
14	Stk	Control Board	47-102090-02	47-102090-02	47-102090-02	47-102090-02			
		Wiring Harness - Fan Motor	See Fan Group						
	1	Wiring Harnesses	See Note 1						

No.	Notes	MODEL COOLING CAPACITY VARIATION			UASL -036 JAZ				
ELECTRICAL GROUP									
CONTROL BOX COMPONENTS:									
10	Stk	Contactors			42-42728-03				
11		Capacitor - Fan Motor/Compressor	See Compressor Group						
12		Start Relay	See Compressor Group						
13		Capacitor - Compressor Start	See Compressor Group						
		Time Delay Relay			42-22756-04				
	Stk	Comfort Alert			42-101504-02				
		Mounting Bracket - Comfort Alert			AE-101503-01				

No.	Notes	MODEL COOLING CAPACITY VARIATION	UASL -024 JEC	UASL -025 JEC	UASL -036 JEC	UASL -037 JEC	UASL -039 JEC	UASL -048 JEC	UASL -060 JEC
FAN GROUP									
15	Stk	Fan Motor - ECM	51-102728-08	51-102728-08	51-102728-02	51-102728-02	51-102728-15	51-102728-15	51-102728-15
16	Stk	Fan Blade	70-21858-17	70-21858-17	70-21858-17	70-21858-17	70-21858-17	70-21858-17	70-21858-17
	Stk,1	Wiring Harness - Fan Motor	45-102122-01	45-102122-01	45-102122-01	45-102122-01	N/A	N/A	N/A
	Stk,1	Wiring Harnesses - Fan Motor - 6 pin (3 wire)	N/A	N/A	N/A	N/A	45-102122-04	45-102122-04	45-102122-04
	Stk,1	Wiring Harnesses - Fan Motor - 6 pin (4 wire)	N/A	N/A	N/A	N/A	45-102122-03	45-102122-03	45-102122-03

No.	Notes	MODEL COOLING CAPACITY VARIATION	UASL -024 JEZ	UASL -025 JEZ	UASL -036 JAZ/JEZ	UASL -037 JEZ			
FAN GROUP									
15	Stk	Fan Motor - ECM	51-101548-08	51-101548-08	51-101548-02	51-101548-02			
16	Stk	Fan Blade	70-21858-17	70-21858-17	70-21858-17	70-21858-17			
	Stk,1	Wiring Harness - Fan Motor (JEZ models) - See Note 1	45-102122-01	45-102122-01	45-102122-01	45-102122-01			

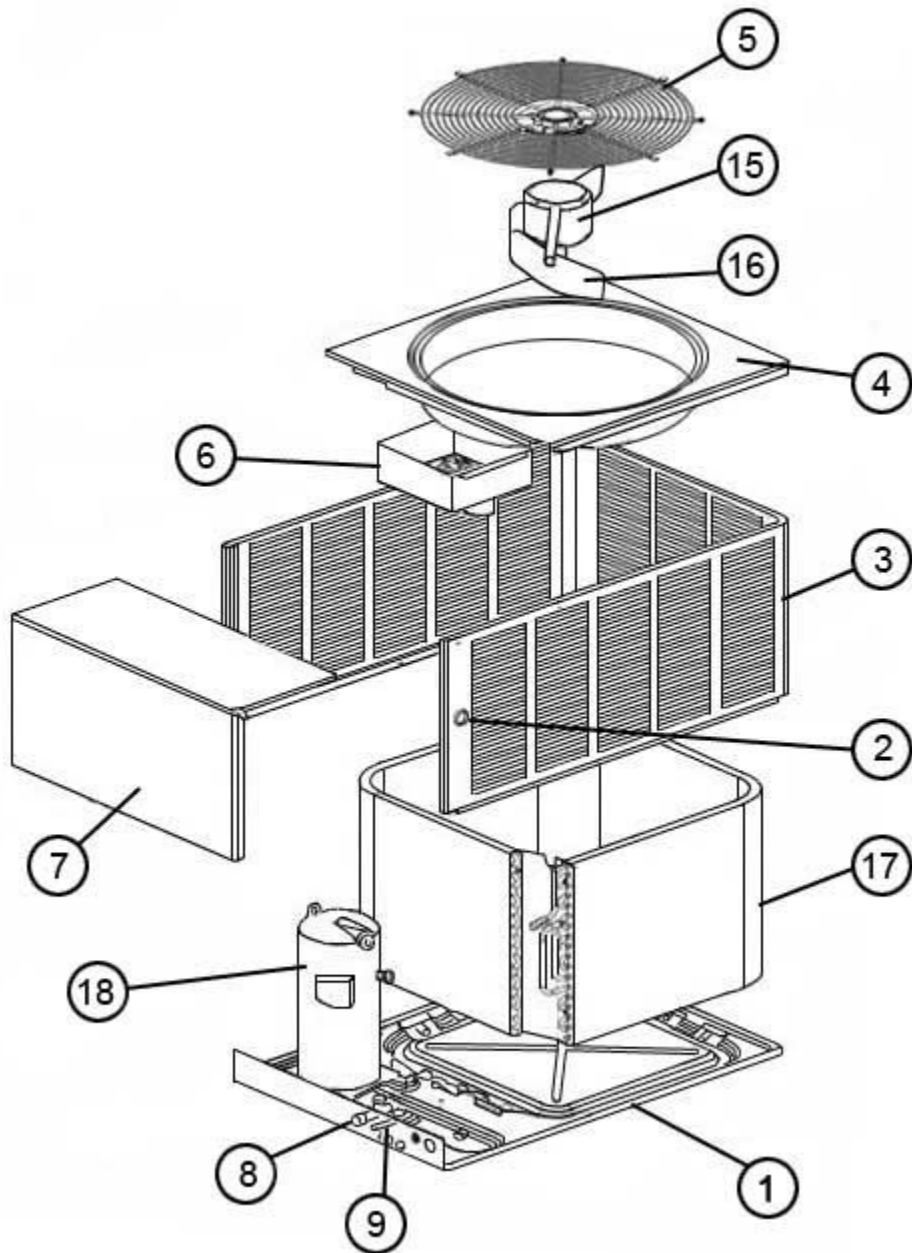
No.	Notes	MODEL COOLING CAPACITY VARIATION	UASL -024 JEC	UASL -025 JEC	UASL -036 JEC	UASL -037 JEC	UASL -039 JEC	UASL -048 JEC	UASL -060 JEC
COIL GROUP									
17	Stk	Condenser Coil	AS-102419-03	AS-102419-03	AS-59326-03	AS-59326-03	AS-102777-01	AS-102661-01	AS-102661-01
	Stk	Filter Drier	83-22755-03	83-22755-03	83-22755-03	83-22755-03	83-22755-05	83-22755-05	83-22755-05
	Stk	High Pressure Control (90 Deg Elbow with 1/4 inch connection)	N/A	N/A	N/A	N/A	47-26184-04	47-26184-04	47-26184-04
		Low Pressure Control (90 Deg Elbow with 1/4 inch connection)	N/A	N/A	N/A	N/A	47-101529-08	47-101529-08	47-101529-08
	Stk	High Pressure Control (Straight with 1/4 inch connection) - before W0311	47-26184-01	N/A	47-26184-01	N/A	N/A	N/A	N/A
	Stk	High Pressure Control (90 Deg Elbow with 1/4 inch connection) - on or after W0311	47-103669-01	47-103669-01	47-103669-01	47-103669-01	N/A	N/A	N/A
	Stk	Low Pressure Control (90 Deg Elbow with 5/16 inch connection) - before W0311	47-101529-04	N/A	47-101529-04	N/A	N/A	N/A	N/A
	Stk	Low Pressure Control (90 Deg Elbow with 1/4 inch connection) - on or after W0311	47-103670-02	47-103670-02	47-103670-02	47-103670-02	N/A	N/A	N/A
		Low Ambient Sensor	See Electrical Group						
		Distributor w/o Header Tubes - 3-Way (1/2 in. to 3/8 in.)	83-17467-06	83-17467-06	83-17467-06	83-17467-06	N/A	N/A	N/A
		Distributor w/o Header Tubes - 3-Way (3/8 in. to 3/8 in.)	83-17467-07	83-17467-07	83-17467-07	83-17467-07	N/A	N/A	N/A
		Distributor w/o Header Tubes - 2-Way (5/8 in. to 1/2 in.)	N/A	N/A	N/A	N/A	83-41634-01	83-41634-01	83-41634-01

No.	Notes	MODEL COOLING CAPACITY VARIATION	UASL -024 JEZ	UASL -025 JEZ	UASL -036 JAZ/JEZ	UASL -037 JEZ			
COIL GROUP									
17	Stk	Condenser Coil	AS-102419-03	AS-102419-03	AS-59326-03	AS-59326-03			
	Stk	Filter Drier	83-22755-03	83-22755-03	83-22755-03	83-22755-03			
	Stk	High Pressure Control (Straight with 1/4 inch connection) - before W0311	47-26184-01	N/A	47-26184-01	N/A			
	Stk	High Pressure Control (90 Deg Elbow with 1/4 inch connection) - on or after W0311	47-103669-01	47-103669-01	47-103669-01	47-103669-01			
	Stk	Low Pressure Control - JAZ models	N/A	N/A	47-101529-02	N/A			
	Stk	Low Pressure Control (90 Deg Elbow with 5/16 inch connection) - before W0311	47-101529-04	N/A	47-101529-04	N/A			
	Stk	Low Pressure Control (90 Deg Elbow with 1/4 inch connection) - on or after W0311	47-103670-02	47-103670-02	47-103670-02	47-103670-02			
		Distributor w/o Header Tubes - 3-Way (1/2 in. to 3/8 in.)	83-17467-06	83-17467-06	83-17467-06	83-17467-06			
		Distributor w/o Header Tubes - 3-Way (3/8 in. to 3/8 in.)	83-17467-07	83-17467-07	83-17467-07	83-17467-07			

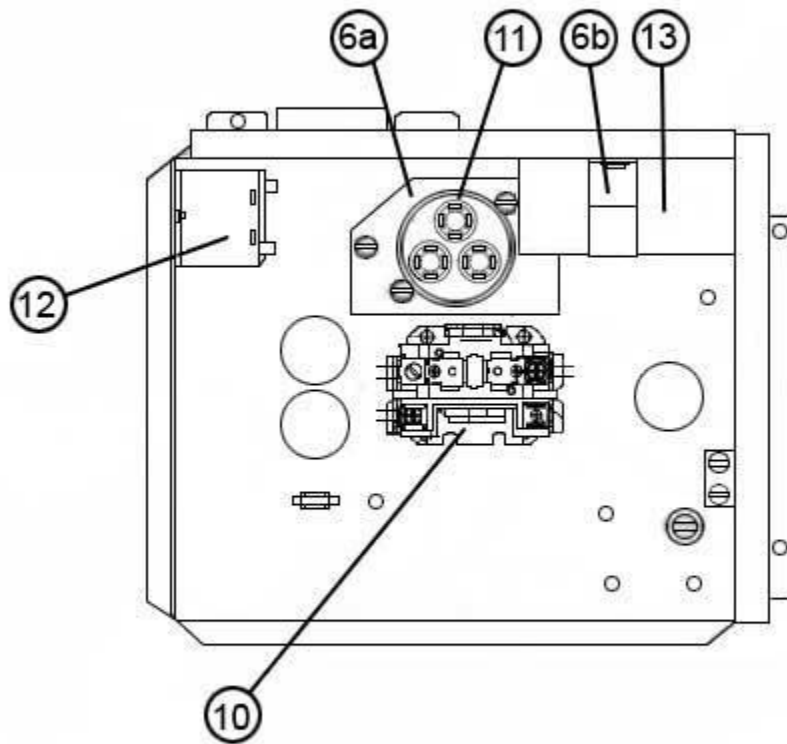
No.	Notes	MODEL COOLING CAPACITY VARIATION	UASL -024 JEC	UASL -025 JEC	UASL -036 JEC	UASL -037 JEC	UASL -039 JEC	UASL -048 JEC	UASL -060 JEC
COMPRESSOR GROUP									
		Compressor ID:	7686	8615	7234	8616	7834	7835	7836
18	Stk	Compressor	55-23156-08S	55-23156-35S	55-23156-09S	55-23156-36S	N/A	N/A	N/A
18	Stk	Compressor - Tandem Assembly	N/A	N/A	N/A	N/A	AS-102714-01	AS-102714-02	AS-102714-03
	Stk,1	Compressor Wiring Harness (Line Voltage - Molded Plug) - See Note 1	45-100834-04 (1)	45-100834-04 (1)	45-100834-04 (1)	45-100834-04 (1)	45-100834-80 (2)	45-100834-80 (2)	45-100834-80 (2)
	Stk,1	Compressor Wiring Harness (Low Voltage - Molded Plug) - See Note 1	45-101723-01	45-101723-01	45-101723-01	45-101723-01	N/A	N/A	N/A
11	Stk	Capacitor - Compressor Run	43-101666-23 (1)	43-101666-20 (1)	43-101666-24 (1)	43-101666-24 (1)	43-100510-36 (2)	43-100510-20 (2)	43-101666-24 (2)
12	Stk	Start Relay	42-100491-09	42-100491-09	42-100491-09	42-100491-09	42-100491-09	42-100491-09	42-100491-09
13	Stk	Start Capacitor	43-17075-04	43-17075-04	43-17075-04	43-17075-04	43-17075-04	43-17075-04	43-17075-04

No.	Notes	MODEL COOLING CAPACITY VARIATION	UASL -024 JEZ	UASL -025 JEZ	UASL -036 JAZ/JEZ	UASL -037 JEZ			
COMPRESSOR GROUP									
		Compressor ID:	7686	8615	7234	8616			
18	Stk	Compressor	55-23156-08S	55-23156-35S	55-23156-09S	55-23156-36S			
	Stk	Compressor Wiring Harness (Line Voltage - Molded Plug) - JAZ models	N/A	N/A	45-100834-02	N/A			
	Stk,1	Compressor Wiring Harness (Line Voltage - Molded Plug) - JEZ models - See Note 1	45-100834-07	45-100834-07	45-100834-07	45-100834-04			
	Stk,1	Compressor Wiring Harness (Low Voltage - Molded Plug) - See Note 1	45-101723-01	45-101723-03	45-101723-01	45-101723-03			
11	Stk	Capacitor - Compressor Run	43-100510-23	43-101666-20	43-101666-24	43-101666-24			
12	Stk	Start Relay	42-18282-09	42-18282-09	42-18282-09	42-18282-09			
13	Stk	Start Capacitor	43-17075-04	43-17075-04	43-17075-04	43-17075-04			

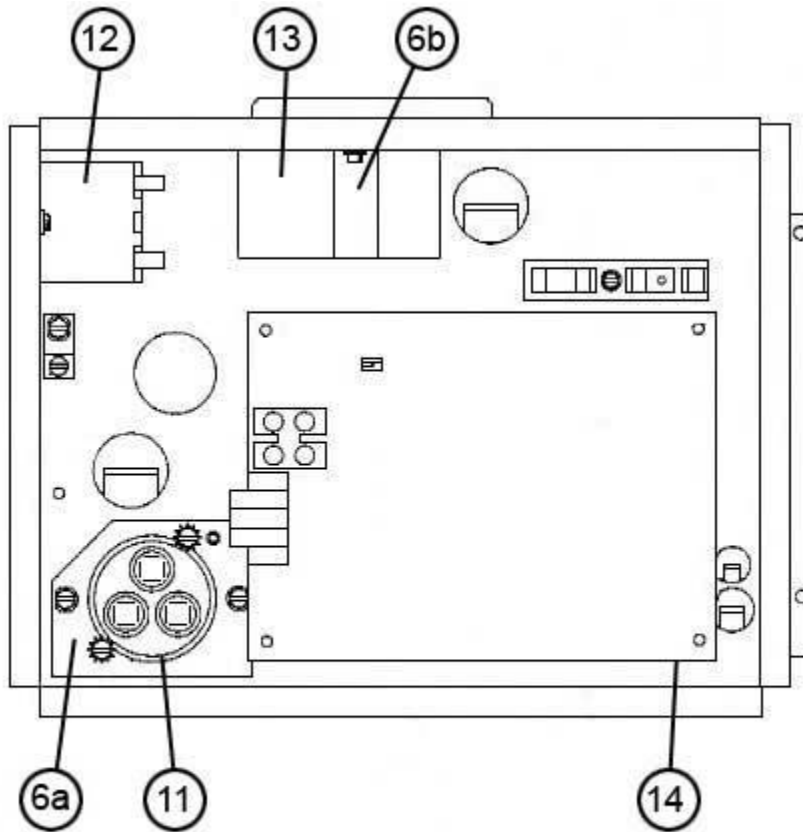
No.	Notes	MODEL VARIATIONS	UASL ALL
ACCESSORIES			
		Low Ambient Control	RXAD-A08



Exploded View



Control Box Assembly (JAZ)



Control Box Assembly (JEZ, JEC)

NOTES

Stk It is recommended that stock be maintained for this part.

N/A Not Applicable

1 Wiring Harnesses not listed individually are included with the JEZ, JEC model Control Box (item 6).