



UARL

Parts List
30-September-2017



*This parts list is current as of the above revision date.
See <http://www.rheempartslists.net/92-42801-UARL.pdf> for the current revision.*

Condensing Units

Table of Contents

Model Explanation	Page 3
Parts Numbers	
Panels - Miscellaneous (Granite-Steel Gray) (JEZ)	Page 4
Panels - Miscellaneous (Granite-Steel Gray) (JEC)	Page 5
Panels - Miscellaneous (Neutra Green)	Page 6
Electrical Group (JAZ)	Page 7
JEZ)	Page 7
Electrical Group (JEC)	Page 8
Fan Group	Page 9
Coil Parts	Page 10
Compressor Group	Page 11
Accessories	Page 11
Drawings/Photographs	
Exploded View	Page 12
Control Box Assembly (JAZ)	Page 13
Control Box Assembly (JEZ,JEC)	Page 14
Notes	Page 15

MODEL NUMBER EXPLANATION

U	A	R	L	-	0	2	4	J	A	Z
(1)	(2)	(3)	(4)			(5)		(6)	(7)	(8)

- | | |
|---|--|
| <p>(1) TRADEBRAND IDENTIFICATION</p> <p>(2) MODEL
A= CONDENSING UNIT</p> <p>(3) TYPE
R= 16 SEER</p> <p>(4) DESIGN SERIES</p> <p>(5) COOLING CAPACITY
024= 24,000 BTU/HR
025= 24,000 BTU/HR
030= 30,000 BTU/HR
036= 36,000 BTU/HR
037= 36,000 BTU/HR
038= 36,000 BTU/HR
048= 48,000 BTU/HR
049= 48,000 BTU/HR
060= 60,000 BTU/HR
061= 60,000 BTU/HR</p> | <p>(6) ELECTRICAL DESIGNATION
J= 208-230/1/60</p> <p>(7) VARIATIONS
A= FULL FEATURED
E= ELECTRONIC</p> <p>(8) COMPRESSOR
Z= SWEAT W/ SCROLL
C= SERIAL COMMUNICATING</p> |
|---|--|

SERIAL NUMBER EXPLANATION

6	7	6	1	M	2	7	0	4	9	9	9	9	9
(1)				(2)	(3)		(4)		(5)				

- (1) COMPRESSOR IDENTIFICATION NUMBER**
- (2) PRODUCTION LOCATION**
M = Milledgeville, GA
- (3) WEEK OF PRODUCTION**
- (4) YEAR OF PRODUCTION**
- (5) PRODUCTION NUMBER**

No.	Notes	MODEL COOLING CAPACITY VARIATION	UJARL -024 JEZ	UJARL -025 JEZ	UJARL -036 JEZ	UJARL -037 JEZ	UJARL -038 JEZ	UJARL -048 JEZ
SHEET METAL PARTS, MISCELLANEOUS (Granite/Steel Gray, After Date Code 4811)								
1		Base Pan	AE-58426-83	AE-58426-83	AE-58426-83	AE-58426-83	AE-58426-83	AE-58426-83
2		Button Plug	45-22980-07	45-22980-07	45-22980-07	45-22980-07	45-22980-07	45-22980-07
3		Cabinet	AE-100609-85	AE-100609-85	AE-100609-87	AE-100609-87	AE-100609-87	AE-100609-87
4		Top Panel	AE-100618-84	AE-100618-84	AE-100618-85	AE-100618-85	AE-100618-85	AE-100618-85
5		Grille	95-103824-03	95-103824-03	95-100906-06	95-100906-06	95-102925-06	95-100906-06
6	1	Control Box - See Note 1	10-102307-03	10-102307-03	10-102307-03	10-102307-03	10-102307-03	10-102307-03
		Control Box Dust Cover	10-102360-01	10-102360-01	10-102360-01	10-102360-01	10-102360-01	10-102360-01
6a		Capacitor Adapter Plate (2 in. round capacitor)	AE-54609-01	AE-54609-01	AE-54609-01	AE-54609-01	AE-54609-01	AE-54609-01
6a		Capacitor Adapter Plate (2 in. x 1-1/4 in. oval capacitor)	AE-54609-02	AE-54609-02	AE-54609-02	AE-54609-02	AE-54609-02	AE-54609-02
6b		Capacitor Strap - Start Capacitor	AE-50892-51	AE-50892-51	AE-50892-51	AE-50892-51	AE-50892-51	AE-50892-51
7		Access Panel	AE-100617-85	AE-100617-85	AE-100617-87	AE-100617-87	AE-100617-87	AE-100617-87
8		Service Valve - Suction	61-21368-15	61-21368-15	61-21368-15	61-21368-15	61-21368-15	61-101160-21
9		Service Valve - Liquid	61-101160-13	61-101160-13	61-101160-13	61-101160-13	61-101160-13	61-101160-13
		Touch-up Paint - Granite/Steel Gray (Aerosol)	PD523018	PD523018	PD523018	PD523018	PD523018	PD523018
		Touch-up Paint - Granite/Steel Gray (Paint Pens)	PD523019	PD523019	PD523019	PD523019	PD523019	PD523019

No.	Notes	MODEL COOLING CAPACITY VARIATION	UJARL -049 JEZ	UJARL -060 JEZ	UJARL -061 JEZ			
SHEET METAL PARTS, MISCELLANEOUS (Granite/Steel Gray, After Date Code 4811)								
1		Base Pan	AE-58426-83	AE-58426-83	AE-58426-83			
2		Button Plug	45-22980-07	45-22980-07	45-22980-07			
3		Cabinet	AE-100609-87	AE-100609-87	AE-100609-87			
4		Top Panel	AE-100618-85	AE-100618-85	AE-100618-85			
5		Grille	95-100906-06	95-100906-06	95-102925-06			
6	1	Control Box - See Note 1	10-102307-03	10-102307-03	10-102307-03			
		Control Box Dust Cover	10-102360-01	10-102360-01	10-102360-01			
6a		Capacitor Adapter Plate (2 in. round capacitor)	AE-54609-01	AE-54609-01	AE-54609-01			
6a		Capacitor Adapter Plate (2 in. x 1-1/4 in. oval capacitor)	AE-54609-02	AE-54609-02	AE-54609-02			
6b		Capacitor Strap - Start Capacitor	AE-50892-51	AE-50892-50	AE-50892-50			
7		Access Panel	AE-100617-87	AE-100617-87	AE-100617-87			
8		Service Valve - Suction	61-21368-16	61-21368-16	61-21368-16			
9		Service Valve - Liquid	61-101160-13	61-101160-13	61-101160-13			
		Touch-up Paint - Granite/Steel Gray (Aerosol)	PD523018	PD523018	PD523018			
		Touch-up Paint - Granite/Steel Gray (Paint Pens)	PD523019	PD523019	PD523019			

No.	Notes	MODEL COOLING CAPACITY VARIATION	UJARL -024 JEC	UJARL -025 JEC	UJARL -036 JEC	UJARL -037 JEC	UJARL -038 JEC	UJARL -048 JEC
SHEET METAL PARTS, MISCELLANEOUS (Granite/Steel Gray, After Date Code 4811)								
1		Base Pan	AE-58426-83	AE-58426-83	AE-58426-83	AE-58426-83	AE-58426-83	AE-58426-83
2		Button Plug	45-22980-07	45-22980-07	45-22980-07	45-22980-07	45-22980-07	45-22980-07
3		Cabinet	AE-100609-85	AE-100609-85	AE-100609-87	AE-100609-87	AE-100609-87	AE-100609-87
4		Top Panel	AE-100618-84	AE-100618-84	AE-100618-85	AE-100618-85	AE-100618-85	AE-100618-85
5		Grille	95-103824-03	95-103824-03	95-100906-06	95-100906-06	95-102925-06	95-100906-06
6	1	Control Box - See Note 1	10-102307-05	10-102307-05	10-102307-05	10-102307-05	10-102307-05	10-102307-05
		Control Box Dust Cover	10-102360-02	10-102360-02	10-102360-02	10-102360-02	10-102360-02	10-102360-02
6a		Capacitor Adapter Plate (2 in. round capacitor)	AE-54609-01	AE-54609-01	AE-54609-01	AE-54609-01	AE-54609-01	AE-54609-01
6a		Capacitor Adapter Plate (2 in. x 1-1/4 in. oval capacitor)	AE-54609-02	AE-54609-02	AE-54609-02	AE-54609-02	AE-54609-02	AE-54609-02
6b		Capacitor Strap - Start Capacitor	AE-50892-51	AE-50892-51	AE-50892-51	AE-50892-51	AE-50892-51	AE-50892-51
7		Access Panel	AE-100617-85	AE-100617-85	AE-100617-87	AE-100617-87	AE-100617-87	AE-100617-87
8		Service Valve - Suction	61-21368-15	61-21368-15	61-21368-15	61-21368-15	61-21368-15	61-101160-21
9		Service Valve - Liquid	61-101160-13	61-101160-13	61-101160-13	61-101160-13	61-101160-13	61-101160-13
		Touch-up Paint - Granite/Steel Gray (Aerosol)	PD523018	PD523018	PD523018	PD523018	PD523018	PD523018
		Touch-up Paint - Granite/Steel Gray (Paint Pens)	PD523019	PD523019	PD523019	PD523019	PD523019	PD523019

No.	Notes	MODEL COOLING CAPACITY VARIATION	UJARL -049 JEC	UJARL -060 JEC	UJARL -061 JEC			
SHEET METAL PARTS, MISCELLANEOUS (Granite/Steel Gray, After Date Code 4811)								
1		Base Pan	AE-58426-83	AE-58426-83	AE-58426-83			
2		Button Plug	45-22980-07	45-22980-07	45-22980-07			
3		Cabinet	AE-100609-87	AE-100609-87	AE-100609-87			
4		Top Panel	AE-100618-85	AE-100618-85	AE-100618-85			
5		Grille	95-100906-06	95-100906-06	95-102925-06			
6	1	Control Box - See Note 1	10-102307-05	10-102307-05	10-102307-05			
		Control Box Dust Cover	10-102360-02	10-102360-02	10-102360-02			
6a		Capacitor Adapter Plate (2 in. round capacitor)	AE-54609-01	AE-54609-01	AE-54609-01			
6a		Capacitor Adapter Plate (2 in. x 1-1/4 in. oval capacitor)	AE-54609-02	AE-54609-02	AE-54609-02			
6b		Capacitor Strap - Start Capacitor	AE-50892-51	AE-50892-50	AE-50892-50			
7		Access Panel	AE-100617-87	AE-100617-87	AE-100617-87			
8		Service Valve - Suction	61-21368-16	61-21368-16	61-21368-16			
9		Service Valve - Liquid	61-101160-13	61-101160-13	61-101160-13			
		Touch-up Paint - Granite/Steel Gray (Aerosol)	PD523018	PD523018	PD523018			
		Touch-up Paint - Granite/Steel Gray (Paint Pens)	PD523019	PD523019	PD523019			

No.	Notes	MODEL COOLING CAPACITY VARIATION	UARL -024 JAZ/JEZ	UARL -036 JAZ/JEZ	UARL -037 JEC	UARL -048 JAZ/JEZ	UARL -049 JEC	UARL -060 JAZ/JEZ
SHEET METAL PARTS, MISCELLANEOUS (Neutra Green, Before Date Code 4811)								
1		Base Pan	AE-58426-03	AE-58426-03	AE-58426-03	AE-58426-03	AE-58426-03	AE-58426-03
2		Button Plug	45-22980-07	45-22980-07	45-22980-07	45-22980-07	45-22980-07	45-22980-07
3		Cabinet	AE-100609-05	AE-100609-07	AE-100609-07	AE-100609-07	AE-100609-07	AE-100609-07
4		Top Panel	AE-100618-04	AE-100618-05	AE-100618-05	AE-100618-05	AE-100618-05	AE-100618-05
5		Grille	95-101742-03	95-100906-04	95-100906-06	95-100906-04	95-100906-06	95-100906-06
6		Control Box - All models except JEZ	AE-100633-01	AE-100633-01	N/A	AE-100633-01	N/A	AE-100633-01
6	1	Control Box - JEZ models - See Note 1	10-102307-03	10-102307-03	10-102307-03	10-102307-03	10-102307-03	10-102307-03
		Control Box Dust Cover - JAZ models	AE-101222-01	AE-101222-01	N/A	AE-101222-01	N/A	AE-101222-01
		Control Box Dust Cover - JEZ models	10-102360-01	10-102360-01	10-102360-01	10-102360-01	10-102360-01	10-102360-01
6a		Capacitor Adapter Plate (2 in. round capacitor)	AE-54609-01	AE-54609-01	AE-54609-01	AE-54609-01	AE-54609-01	AE-54609-01
6a		Capacitor Adapter Plate (2 in. x 1-1/4 in. oval capacitor)	AE-54609-02	AE-54609-02	AE-54609-02	AE-54609-02	AE-54609-02	AE-54609-02
6b		Capacitor Strap - Start Capacitor	AE-50892-51	AE-50892-51	AE-50892-51	AE-50892-51	AE-50892-51	AE-50892-51
7		Access Panel	AE-100617-05	AE-100617-07	AE-100617-07	AE-100617-07	AE-100617-07	AE-100617-07
8		Service Valve - Suction (JAZ models - Before Date Code 0307)	61-21368-15	61-101160-21	N/A	61-21368-16	N/A	61-21368-16
8		Service Valve - Suction (JAZ models - On or after Date Code 0307)	61-21368-15	61-21368-15	N/A	61-21368-16	N/A	61-21368-16
8		Service Valve - Suction (JEZ models - Before Date Code 0307)	61-21368-15	61-21368-15	61-21368-15	61-21368-16	N/A	61-21368-16
8		Service Valve - Suction (JEZ models - On or after Date Code 0307)	61-21368-15	61-21368-15	61-21368-15	61-101160-21	61-21368-16	61-21368-16
9		Service Valve - Liquid	61-101160-13	61-101160-13	61-101160-13	61-101160-13	61-101160-13	61-101160-13
		Touch-up Paint - Green (Aerosol)	52-18662-48	52-18662-48	52-18662-48	52-18662-48	52-18662-48	52-18662-48
		Touch-up Paint - Green (Paint Pens)	523010	523010	523010	523010	523010	523010

No.	Notes	MODEL COOLING CAPACITY VARIATION	UARL -024 JEC	UARL -036 JEC	UARL -037 JEC	UARL -048 JEC	UARL -049 JEC	UARL -060 JEC
SHEET METAL PARTS, MISCELLANEOUS (Neutra Green, Before Date Code 4811)								
1		Base Pan	AE-58426-03	AE-58426-03	AE-58426-03	AE-58426-03	AE-58426-03	AE-58426-03
2		Button Plug	45-22980-07	45-22980-07	45-22980-07	45-22980-07	45-22980-07	45-22980-07
3		Cabinet	AE-100609-05	AE-100609-07	AE-100609-07	AE-100609-07	AE-100609-07	AE-100609-07
4		Top Panel	AE-100618-04	AE-100618-05	AE-100618-05	AE-100618-05	AE-100618-05	AE-100618-05
5		Grille	95-101742-03	95-100906-06	95-100906-06	95-100906-06	95-100906-06	95-100906-06
6	1	Control Box - See Note 1	10-102307-05	10-102307-05	10-102307-03	10-102307-05	10-102307-05	10-102307-05
		Control Box Dust Cover	10-102360-02	10-102360-02	10-102360-01	10-102360-02	10-102360-02	10-102360-02
6a		Capacitor Adapter Plate (2 in. round capacitor)	AE-54609-01	AE-54609-01	AE-54609-01	AE-54609-01	AE-54609-01	AE-54609-01
6a		Capacitor Adapter Plate (2 in. x 1-1/4 in. oval capacitor)	AE-54609-02	AE-54609-02	AE-54609-02	AE-54609-02	AE-54609-02	AE-54609-02
6b		Capacitor Strap - Start Capacitor	AE-50892-51	AE-50892-51	AE-50892-51	AE-50892-51	AE-50892-51	AE-50892-51
7		Access Panel	AE-100617-05	AE-100617-07	AE-100617-07	AE-100617-07	AE-100617-07	AE-100617-07
8		Service Valve - Suction	61-21368-15	61-21368-15	61-21368-15	61-101160-21	61-21368-16	61-21368-16
9		Service Valve - Liquid	61-101160-13	61-101160-13	61-101160-13	61-101160-13	61-101160-13	61-101160-13
		Touch-up Paint - Green (Aerosol)	52-18662-48	52-18662-48	52-18662-48	52-18662-48	52-18662-48	52-18662-48
		Touch-up Paint - Green (Paint Pens)	523010	523010	523010	523010	523010	523010

No.	Notes	MODEL COOLING CAPACITY ELECTRICAL DESIGNATION	UJARL -024 JAZ	UJARL -036 JAZ	UJARL -048 JAZ	UJARL -060 JAZ
ELECTRICAL GROUP						
CONTROL BOX COMPONENTS:						
10	Stk	Contactors	42-42139-05	42-42139-05	42-42139-05	42-42478-02
11		Capacitor - Fan Motor/Compressor	See Compressor Group			
12		Start Relay	See Compressor Group			
13		Capacitor - Compressor Start	See Compressor Group			
		Comfort Alert Module	42-101504-02	42-101504-02	42-101504-02	42-101504-02
		Relay - Time Delay	42-22756-04	42-22756-04	42-22756-04	42-22756-04

No.	Notes	MODEL COOLING CAPACITY ELECTRICAL DESIGNATION	UJARL -024 JEZ	UJARL -025 JEZ	UJARL -036 JEZ	UJARL -037 JEZ
ELECTRICAL GROUP						
CONTROL BOX COMPONENTS:						
11		Capacitor - Fan Motor/Compressor	See Compressor Group			
12		Start Relay	See Compressor Group			
13		Capacitor - Compressor Start	See Compressor Group			
14	Stk	Control Board	47-102090-02	47-102090-02	47-102090-02	47-102090-02
		Wiring Harness - Fan Motor	See Fan Group			
1		Wiring Harnesses	See Note 1			

No.	Notes	MODEL COOLING CAPACITY ELECTRICAL DESIGNATION	UJARL -038 JEZ	UJARL -048 JEZ	UJARL -049 JEZ	UJARL -060 JEZ
ELECTRICAL GROUP						
CONTROL BOX COMPONENTS:						
11		Capacitor - Fan Motor/Compressor	See Compressor Group			
12		Start Relay	See Compressor Group			
13		Capacitor - Compressor Start	See Compressor Group			
14	Stk	Control Board	47-102090-02	47-102090-02	47-102090-02	47-102090-02
		Wiring Harness - Fan Motor	See Fan Group			
1		Wiring Harnesses	See Note 1			

No.	Notes	MODEL COOLING CAPACITY ELECTRICAL DESIGNATION	UJARL -061 JEZ			
ELECTRICAL GROUP						
CONTROL BOX COMPONENTS:						
11		Capacitor - Fan Motor/Compressor	See Compressor Group			
12		Start Relay	See Compressor Group			
13		Capacitor - Compressor Start	See Compressor Group			
14	Stk	Control Board	47-102090-02			
		Wiring Harness - Fan Motor	See Fan Group			
1		Wiring Harnesses	See Note 1			

No.	Notes	MODEL COOLING CAPACITY ELECTRICAL DESIGNATION	UARL -024 JEC	UARL -025 JEC	UARL -036 JEC	UARL -037 JEC
ELECTRICAL GROUP						
		CONTROL BOX COMPONENTS:				
11		Capacitor - Fan Motor/Compressor			See Compressor Group	
12		Start Relay			See Compressor Group	
13		Capacitor - Compressor Start			See Compressor Group	
14	Stk	Control Board - Two Stage	47-102090-04	47-102090-08	47-102090-04	47-102090-08
	Stk	Low Ambient Sensor	47-102709-01	47-102709-01	47-102709-01	47-102709-01
		Control - Identity EEPROM	47-102738-67	47-102738-101	47-102738-68	47-102738-90
		Wiring Harness - Fan Motor			See Fan Group	
	1	Wiring Harnesses			See Note 1	

No.	Notes	MODEL COOLING CAPACITY ELECTRICAL DESIGNATION	UARL -038 JEC	UARL -048 JEC	UARL -049 JEC	UARL -060 JEC
ELECTRICAL GROUP						
		CONTROL BOX COMPONENTS:				
11		Capacitor - Fan Motor/Compressor			See Compressor Group	
12		Start Relay			See Compressor Group	
13		Capacitor - Compressor Start			See Compressor Group	
14	Stk	Control Board - Two Stage	47-102090-08	47-102090-04	47-102090-08	47-102090-04
	Stk	Low Ambient Sensor	47-102709-01	47-102709-01	47-102709-01	47-102709-01
		Control - Identity EEPROM	47-102738-102	47-102738-69	47-102738-104	47-102738-70
		Wiring Harness - Fan Motor			See Fan Group	
	1	Wiring Harnesses			See Note 1	

No.	Notes	MODEL COOLING CAPACITY ELECTRICAL DESIGNATION	UARL -061 JEC			
ELECTRICAL GROUP						
		CONTROL BOX COMPONENTS:				
11		Capacitor - Fan Motor/Compressor			See Compressor Group	
12		Start Relay			See Compressor Group	
13		Capacitor - Compressor Start			See Compressor Group	
14	Stk	Control Board - Two Stage	47-102090-08			
	Stk	Low Ambient Sensor	47-102709-01			
		Control - Identity EEPROM	47-102738-103			
		Wiring Harness - Fan Motor			See Fan Group	
	1	Wiring Harnesses			See Note 1	

No.	Notes	MODEL COOLING CAPACITY VARIATION	UARL	UARL	UARL	UARL	UARL	UARL
			-024 JAZ/JEZ	-025 JEZ	-036 JAZ/JEZ	-037 JEZ	-038 JEZ	-048 JAZ/JEZ
FAN GROUP								
15	Stk,2	Fan Motor	51-100999-02	51-100999-02	51-100998-08 (See Note 2)	51-102728-02	51-100998-08	51-100998-08 (See Note 2)
11		Capacitor - Fan Motor	See Compressor Group					
16	Stk	Fan Blade	70-19896-03	70-19896-03	70-21858-17	70-21858-17	70-104092-01	70-21858-17
	Stk,1	Wiring Harness - Fan Motor (JEZ) - See Note 1	N/A	N/A	N/A	45-102122-01	N/A	N/A
	Stk,1	Wiring Harness - 6 Pin on Board to single Quick Connect on Board (JEZ Models) - See Note 1	45-102120-01	45-102120-01	45-102120-01	N/A	45-102120-01	45-102120-01

No.	Notes	MODEL COOLING CAPACITY VARIATION	UARL	UARL	UARL			
			-049 JEZ	-060 JAZ/JEZ	-061 JEZ			
FAN GROUP								
15	Stk,2	Fan Motor	51-100998-08	51-101548-03	51-102728-03			
11		Capacitor - Fan Motor	See Compressor Group					
16	Stk	Fan Blade	70-104092-01	70-21858-17	70-104092-01			
	Stk,1	Wiring Harness - Fan Motor (JEZ) - See Note 1	N/A	45-102122-01	45-102122-01			
	Stk,1	Wiring Harness - 6 Pin on Board to single Quick Connect on Board (JEZ) - See Note 1	45-102120-01	N/A	N/A			

No.	Notes	MODEL COOLING CAPACITY VARIATION	UARL	UARL	UARL	UARL	UARL	UARL
			-024 JEC	-025 JEC	-036 JEC	-037 JEC	-038 JEC	-048 JEC
FAN GROUP								
15	Stk,2	Fan Motor	51-100999-02	51-100999-02	51-100998-08 (See Note 2)	51-102728-02	51-100998-08	51-100998-08 (See Note 2)
11		Capacitor - Fan Motor	See Compressor Group					
16	Stk	Fan Blade	70-19896-03	70-19896-03	70-21858-17	70-21858-17	70-104092-01	70-21858-17
	Stk,1	Wiring Harness - Fan Motor - See Note 1	N/A	N/A	N/A	45-102122-01	N/A	N/A
	Stk,1	Wiring Harness - 6 Pin on Board to single Quick Connect on Board - See Note 1	45-102120-02	45-102120-02	45-102120-02	N/A	45-102120-02	45-102120-02

No.	Notes	MODEL COOLING CAPACITY VARIATION	UARL	UARL	UARL			
			-049 JEC	-060 JEC	-061 JEC			
FAN GROUP								
15	Stk,2	Fan Motor	51-100998-08	51-101548-03	51-102728-03			
11		Capacitor - Fan Motor	See Compressor Group					
16	Stk	Fan Blade	70-104092-01	70-21858-17	70-104092-01			
	Stk,1	Wiring Harness - Fan Motor - See Note 1	N/A	45-102122-01	45-102122-01			
	Stk,1	Wiring Harness - 6 Pin on Board to single Quick Connect on Board - See Note 1	45-102120-02	N/A	N/A			

No.	Notes	MODEL COOLING CAPACITY ELECTRICAL DESIGNATION	UARL -024 JAZ	UARL -036 JAZ	UARL -048 JAZ	UARL -060 JAZ		
COIL GROUP								
17	Stk	Condenser Coil	AS-100420-03	AS-59326-03	AS-59326-03	AS-102375-01		
	Stk	Filter Drier	83-22755-03	83-22755-03	83-22755-05	83-22755-05		
	Stk	High Pressure Control (Straight with 1/4 inch connection)	47-26184-01	47-26184-01	47-26184-01	47-26184-01		
	Stk	Low Pressure Control (90 Deg Elbow with 5/16 inch connection)	47-101529-02	47-101529-02	47-101529-02	47-101529-02		
		Distributor w/out Header Tubes - 3 way (1/2 in. to 3/8 in.)	83-17467-06	83-17467-06	83-17467-06	N/A		
		Distributor w/out Header Tubes - 3 way (3/8 in. to 3/8 in.)	83-17467-07	83-17467-07	83-17467-07	83-17467-07 (2)		

No.	Notes	MODEL COOLING CAPACITY ELECTRICAL DESIGNATION	UARL -024/-025 JEZ	UARL -036 JEZ	UARL -037/-038 JEZ	UARL -048 JEZ	UARL -049 JEZ	UARL -060/-061 JEZ
COIL GROUP								
17	Stk	Condenser Coil	AS-100420-03	AS-59326-03	AS-59326-03	AS-59326-03	AS-59326-03	AS-102375-01
	Stk	Filter Drier	83-22755-03	83-22755-03	83-22755-03	83-22755-05	83-22755-05	83-22755-05
	Stk	High Pressure Control (90 Deg Elbow with 1/4 inch connection)	N/A	N/A	N/A	N/A	47-103669-01	N/A
	Stk	Low Pressure Control (90 Deg Elbow with 1/4 inch connection) - after W0311	N/A	N/A	N/A	N/A	47-103670-02	N/A
	Stk	High Pressure Control (Straight with 1/4 inch connection) - before W0311	47-26184-01	47-26184-01	47-26184-01	47-26184-01	N/A	47-26184-01
	Stk	High Pressure Control (90 Deg Elbow with 1/4 inch connection) - after W0311	47-103669-01	47-103669-01	47-103669-01	47-103669-01	N/A	47-103669-01
	Stk	Low Pressure Control (90 Deg Elbow with 5/16 inch connection) - before W0311	47-101529-04	47-101529-04	47-101529-04	47-101529-04	N/A	47-101529-04
	Stk	Low Pressure Control (90 Deg Elbow with 1/4 inch connection) - after W0311	47-103670-02	47-103670-02	47-103670-02	47-103670-02	N/A	47-103670-02
		Distributor w/out Header Tubes - 3 way (1/2 in. to 3/8 in.)	83-17467-06	83-17467-06	83-17467-06	83-17467-06	83-17467-06	N/A
		Distributor w/out Header Tubes - 3 way (3/8 in. to 3/8 in.)	83-17467-07	83-17467-07	83-17467-07	83-17467-07	83-17467-07	83-17467-07 (2)

No.	Notes	MODEL COOLING CAPACITY ELECTRICAL DESIGNATION	UARL -024/-025 JEC	UARL -036 JEC	UARL -037/-038 JEC	UARL -048 JEC	UARL -049 JEC	UARL -060/-061 JEC	
COIL GROUP									
17	Stk	Condenser Coil	AS-100420-03	AS-59326-03	AS-59326-03	AS-59326-03	AS-59326-03	AS-102375-01	
	Stk	Filter Drier	83-22755-03	83-22755-03	83-22755-03	83-22755-05	83-22755-05	83-22755-05	
	Stk	High Pressure Control (90 Deg Elbow with 1/4 inch connection)	N/A	N/A	N/A	N/A	47-103669-01	N/A	
	Stk	Low Pressure Control (90 Deg Elbow with 1/4 inch connection) - after W0311	N/A	N/A	N/A	N/A	47-103670-02	N/A	
	Stk	High Pressure Control (Straight with 1/4 inch connection) - before W0311	47-26184-01	47-26184-01	47-26184-01	47-26184-01	N/A	47-26184-01	
	Stk	High Pressure Control (90 Deg Elbow with 1/4 inch connection) - after W0311	47-103669-01	47-103669-01	47-103669-01	47-103669-01	N/A	47-103669-01	
	Stk	Low Pressure Control (90 Deg Elbow with 5/16 inch connection) - before W0311	47-101529-04	47-101529-04	47-101529-04	47-101529-04	N/A	47-101529-04	
	Stk	Low Pressure Control (90 Deg Elbow with 1/4 inch connection) - after W0311	47-103670-02	47-103670-02	47-103670-02	47-103670-02	N/A	47-103670-02	
		Low Ambient Sensor	See Electrical Group						
		Distributor w/out Header Tubes - 3 way (1/2 in. to 3/8 in.)	83-17467-06	83-17467-06	83-17467-06	83-17467-06	83-17467-06	N/A	
		Distributor w/out Header Tubes - 3 way (3/8 in. to 3/8 in.)	83-17467-07	83-17467-07	83-17467-07	83-17467-07	83-17467-07	83-17467-07 (2)	

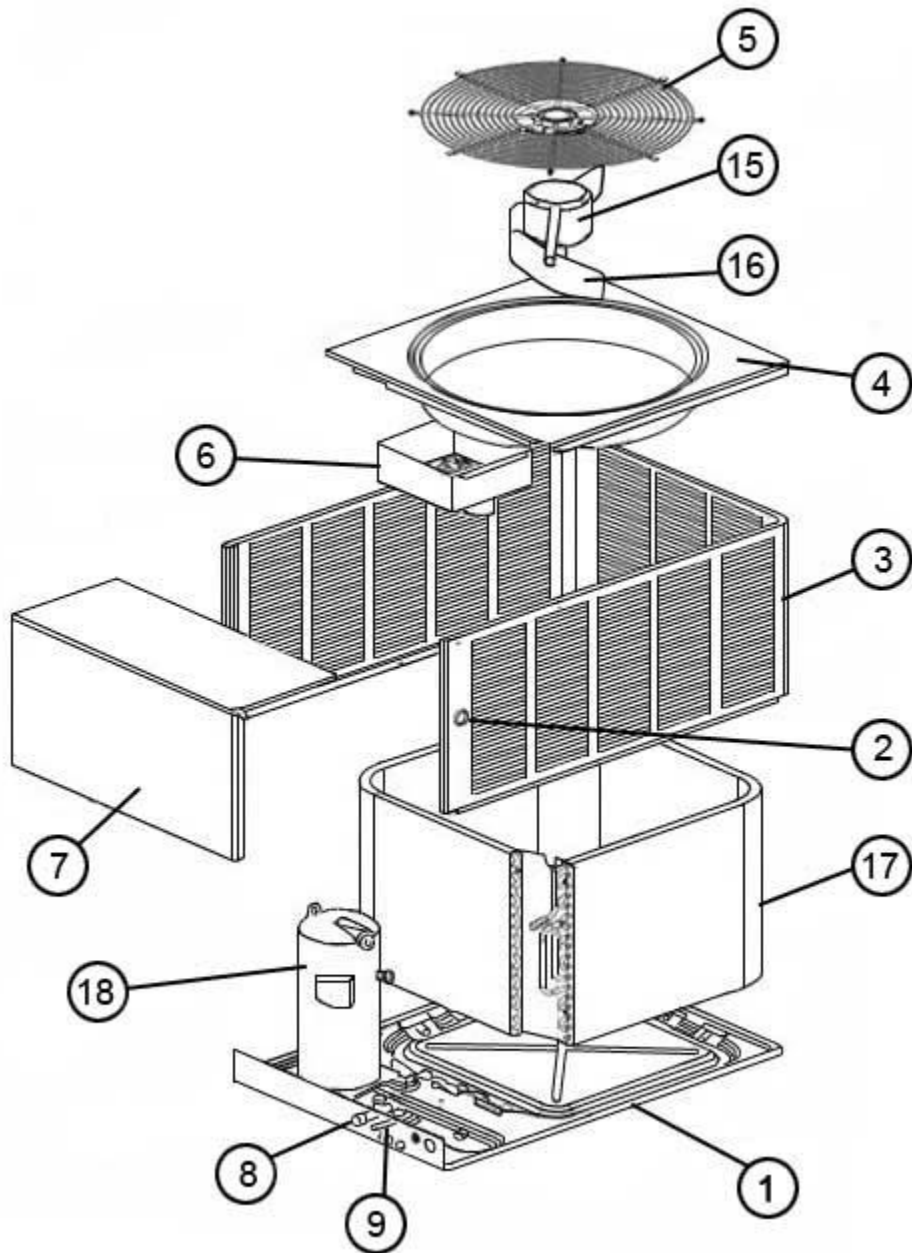
No.	Notes	MODEL COOLING CAPACITY VARIATION	UARL -024 JAZ/JEZ	UARL -025 JEZ	UARL -036 JAZ/JEZ	UARL -037 JEZ	UARL -038 JEZ
COMPRESSOR GROUP							
		Compressor ID:	7230	8612	7231	8330	8613
18	Stk	Compressor	55-23156-08S	55-23156-35S	55-23156-09S	55-23156-09S	55-23156-36S
	Stk	Compressor Wiring Harness (Line Voltage - Molded Plug) - JAZ	45-100834-80	N/A	45-100834-80	N/A	N/A
	Stk,1	Compressor Wiring Harness (Line Voltage - Molded Plug) - JEZ - See Note 1	45-100834-08	45-100834-07	45-100834-08	45-100834-07	45-100834-07
	Stk,1	Compressor Wiring Harness (Low Voltage - Molded Plug) - See Note 1	45-101723-01	45-101723-03	45-101723-01	45-101723-01	45-101723-03
11	Stk,2	Capacitor - Compressor/Fan	43-26261-04	43-101665-04	43-26271-51 See Note 2	N/A	43-101665-51
11	Stk	Capacitor - Compressor Only	N/A	N/A	N/A	43-101666-24	N/A
12	Stk	Start Relay	42-18282-09	42-100491-09	42-18282-09	42-18282-09	42-100491-09
13	Stk	Start Capacitor	43-17075-04	43-17075-04	43-17075-04	43-17075-04	43-17075-04
		Sound Enclosure - Bottom	68-23427-15	N/A	68-23427-15	N/A	N/A
		Sound Enclosure - Top	68-23427-18	68-23427-26	68-23427-18	68-23427-24	68-23427-26

No.	Notes	MODEL COOLING CAPACITY VARIATION	UARL -048 JAZ/JEZ	UARL -049 JEZ	UARL -060 JAZ/JEZ	UARL -061 JEZ	
COMPRESSOR GROUP							
		Compressor ID:	7232	8530	7233	8614	
18	Stk	Compressor	55-23156-10S	55-23156-37	55-23156-11S	55-23156-34S	
	Stk	Compressor Wiring Harness (Line Voltage - Molded Plug) - JAZ	45-100834-80	N/A	45-100834-80	N/A	
	Stk,1	Compressor Wiring Harness (Line Voltage - Molded Plug) - JEZ - See Note 1	45-100834-08	45-100834-08	45-100834-08	45-100834-08	
	Stk,1	Compressor Wiring Harness (Low Voltage - Molded Plug) - See Note 1	45-101723-01	45-101723-03	45-101723-01	45-101723-03	
11	Stk,2	Capacitor - Compressor/Fan	43-26271-52 See Note 2	43-101665-56	N/A	N/A	
11	Stk	Capacitor - Compressor Only	N/A	N/A	43-21298-51	43-101666-25	
12	Stk	Start Relay	42-18282-09	42-100491-11	42-18282-09	42-100491-09	
13	Stk	Start Capacitor	43-17075-04	43-17075-04	43-17075-04	43-17075-04	
		Sound Enclosure - Bottom	68-23427-15	N/A	N/A	N/A	
		Sound Enclosure - Top	68-23427-18	68-23427-25	68-23427-19	68-23427-25	

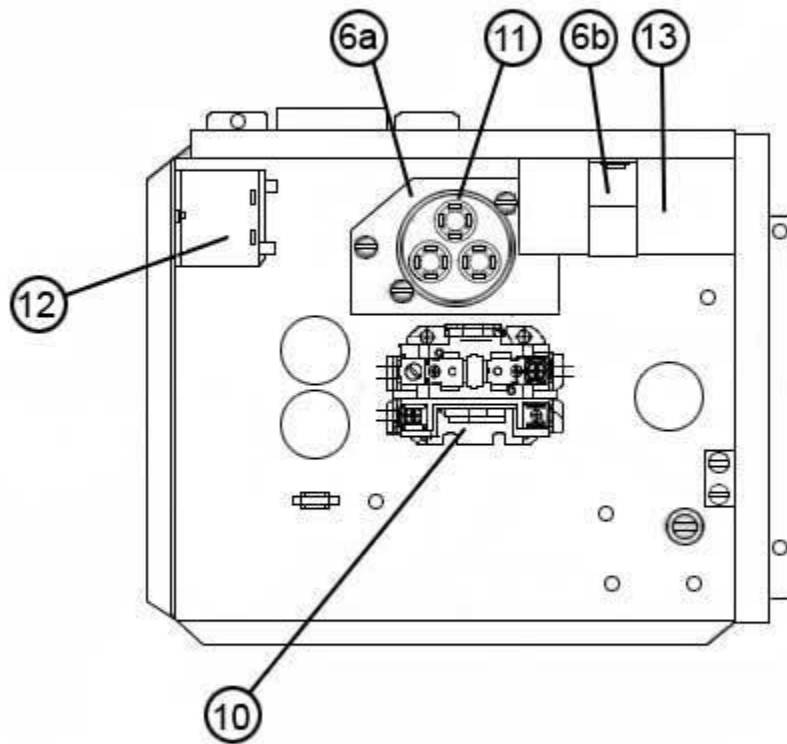
No.	Notes	MODEL COOLING CAPACITY VARIATION	UARL -024 JEC	UARL -025 JEC	UARL -036 JEC	UARL -037 JEC	UARL -038 JEC
COMPRESSOR GROUP							
		Compressor ID:	7230	8612	7231	8330	8613
18	Stk	Compressor	55-23156-08S	55-23156-35S	55-23156-09S	55-23156-09S	55-23156-36S
	Stk,1	Compressor Wiring Harness (Line Voltage - Molded Plug) - See Note 1	45-100834-80	45-100834-04	45-100834-80	45-100834-04	45-100834-04
	Stk,1	Compressor Wiring Harness (Low Voltage - Molded Plug) - See Note 1	45-101723-01	45-101723-01	45-101723-01	45-101723-01	45-101723-01
11	Stk,2	Capacitor - Compressor/Fan	43-26261-04	43-26261-04	43-101665-09 See Note 2	N/A	43-101665-51
11	Stk	Capacitor - Compressor Only	N/A	N/A	N/A	43-101666-24	N/A
12	Stk	Start Relay	42-100491-09	42-100491-09	42-100491-09	42-100491-09	42-100491-09
13	Stk	Start Capacitor	43-17075-04	43-17075-04	43-17075-04	43-17075-04	43-17075-04
		Sound Enclosure - Top	68-23427-24	68-23427-26	68-23427-24	68-23427-24	68-23427-26

No.	Notes	MODEL COOLING CAPACITY VARIATION	UARL -048 JEC	UARL -049 JEC	UARL -060 JEC	UARL -061 JEC	
COMPRESSOR GROUP							
		Compressor ID:	7232	8530	7233	8614	
18	Stk	Compressor	55-23156-10S	55-23156-37	55-23156-11S	55-23156-34S	
	Stk,1	Compressor Wiring Harness (Line Voltage - Molded Plug) - See Note 1	45-100834-09	45-100834-09	45-100834-09	45-100834-09	
	Stk,1	Compressor Wiring Harness (Low Voltage - Molded Plug) - See Note 1	45-101723-01	45-101723-01	45-101723-01	45-101723-01	
11	Stk,2	Capacitor - Compressor/Fan	43-26271-52 See Note 2	43-101665-56	N/A	N/A	
11	Stk	Capacitor - Compressor Only	N/A	N/A	43-21298-51	43-101666-25	
12	Stk	Start Relay	42-100491-09	42-100491-11	42-100491-09	42-100491-09	
13	Stk	Start Capacitor	43-17075-04	43-17075-04	43-17075-04	43-17075-04	
		Sound Enclosure - Top	68-23427-24	68-23427-25	68-23427-19	68-23427-25	

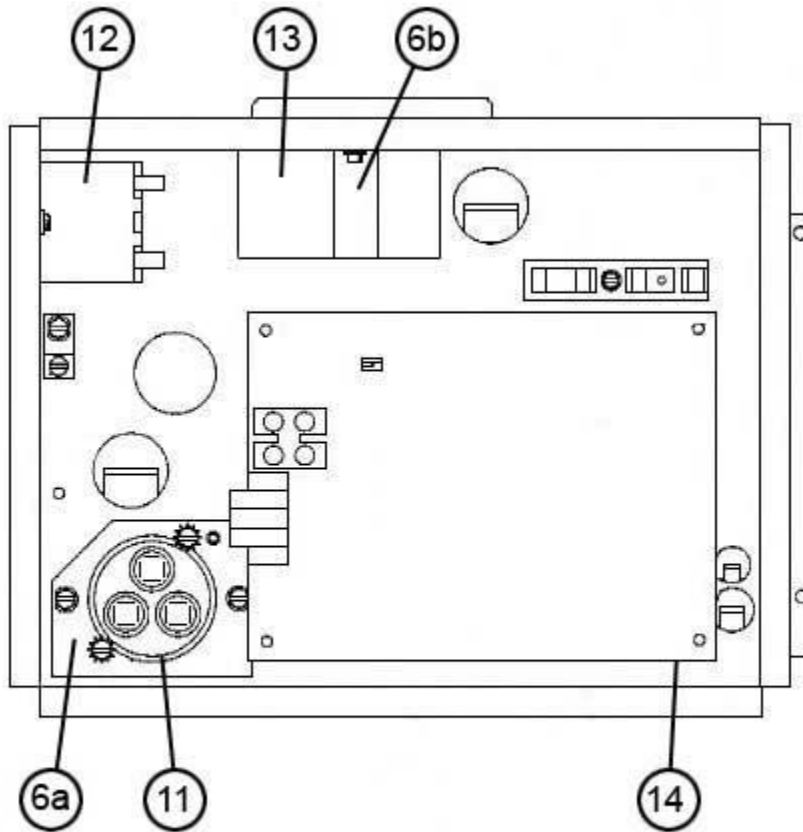
No.	Notes	MODEL VARIATIONS	UARL ALL				
ACCESSORIES							
		Low Ambient Control	RXAD-A08				



Exploded View



Control Box Assembly (JAZ)



Control Box Assembly (JEZ, JEC)

NOTES

Stk It is recommended that stock be maintained for this part.

N/A Not Applicable

- 1 Wiring Harnesses not listed individually are included with the JEZ, JEC model Control Box (item 6).
- 2 On approximate Date Code 1810, a motor design change was implemented to improve reliability. The capacitor listed is for the new motor design.