



Brass Compression Fittings

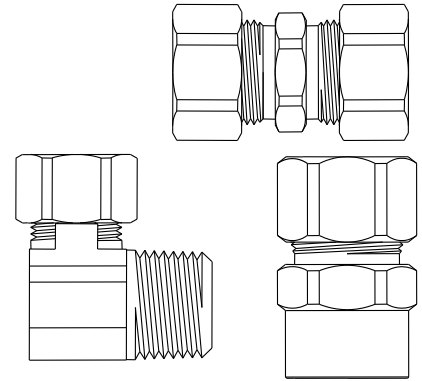
Use: For use with potable water, instrumentation, hydraulic, and pneumatic systems. Designed for use with aluminum, copper, and plastic tubing. Not intended for use with steel tubing.

Design Features

- Little to no tube preparation. Compression fittings do not require flaring, soldering, or other types of tube preparation
- Compatible with SAEJ512

Operating Specifications

- Temperature:** -65° – 250° F at maximum operating pressures
Working Pressure: See chart below
Vibration: Fair vibration resistance



Fitting Material Specifications	
Body	Low Lead Compliant
Compression Sleeve	Brass
Compression Nut	Brass

Working Pressure		
PSI	Tube OD (Inches)	Tube Wall (Inches)
400	1/8	0.030
400	3/16	0.030
300	1/4	0.030
300	5/16	0.032
200	3/8	0.032
200	1/2	0.032
150	5/8	0.035
100	3/4	0.035
75	7/8	0.035

SKU	Description
PFCSAN	Sleeve For 1/8" OD Tube
PFPCSBN	Plastic Sleeve For 1/4" OD Tube
PFPCSDN	Plastic Sleeve For 1/2" OD Tube
PFPCSCN	Plastic Sleeve For 3/8" OD Tube
PFPCSEN	Plastic Sleeve For 5/8" OD Tube
PFCNAN	Nut For 1/8" OD Tube
PFCNDNN	Nut For 1/2" OD Tube
PFCNEN	Compression Nut For 5/8" OD Tube
PFXBRIDN	Brass Insert For 1/2" OD Tube
PFXBRIEN	Brass Insert For 5/8" OD Tube
PFXCCBN	Cap 1/4" OD Tube
PFXCCCN	Cap 3/8" OD Tube
PFXCPCN	Plug For 3/8" OD Tube
PFXMCUAAN	Male Adaptor 1/8" OD Tube x 1/8" MIP
PFXMCUBAN	Male Reducing Adaptor 1/4" OD Tube x 1/8" MIP
PFXMCUBBN	Male Adaptor 1/4" OD Tube x 1/4" MIP

SKU	Description
PFCNBN	Nut For 1/4" OD Tube
PFCNCNN	Nut For 3/8" OD Tube
PFXBRIBN	Brass Insert For 1/4" OD Tube
PFXBRICN	Brass Insert For 3/8" OD Tube
PFXSSIEN	Stainless Steel Insert For 5/8" OD Tube
PFXCCDN	Cap 1/2" OD Tube
PFXCCEN	Cap 5/8" OD Tube
PFXLNPCN	Lav Nose Piece
PFXFCUBAN	Female Reducing Adaptor 1/4" OD Tube x 1/8" FIP
PFXFCUBBN	Female Adaptor 1/4" OD Tube x 1/4" FIP
PFXFCUBCN	Female Reducing Adaptor 1/4" OD Tube x 3/8" FIP



Brass Compression Fittings

SKU	Description
PFXMCUBCN	Male Reducing Adaptor 1/4" OD Tube x 3/8" MIP
PFXMCUBDN	Male Reducing Adaptor 1/4" OD Tube x 1/2" MIP
PFXCARBDBN	Sweat Reducing Adaptor 1/2" Nominal Sweat x 1/4" OD Tube
PFXMCUDDN	Male Adaptor 1/2" OD Tube x 1/2" MIP
PFXMCADCCPN	Male Reducing Adaptor 3/8" OD Tube x 1/2" MIP
PFXMCRADCN	Male Reducing Adaptor 1/2" OD Tube x 3/8" MIP
PFXMCUCAN	Male Reducing Adaptor 3/8" OD Tube x 1/8" MIP
PFXMCUCBCP	Male Reducing Adaptor 3/8" OD Tube x 1/4" MIP
PFXFCUCDN	Female Reducing Adaptor 3/8" OD Tube x 1/2" FIP
PFXFCUCDCPN	Female Reducing Adaptor 3/8" OD Tube x 1/2" FIP
PFXFCUCCN	Female Adaptor 3/8" OD Tube x 3/8" FIP
PFXMCUCPCCN	Male Adaptor 3/8" OD Tube x 3/8" MIP
PFXMCACCCPN	Adaptor 3/8" OD Tube x 3/8" MIP
PFXFCUECN	Female Reducing Adaptor 5/8" OD Tube x 3/8" FIP
PFXFCUEDN	Female Reducing Adaptor 5/8" OD Tube x 1/2" FIP
PFXMCUEFN	Male Reducing Adaptor 5/8" OD Tube x 3/4" MIP
PFXMCU78FN	Male Reducing Adaptor 7/8" OD Tube x 3/4" MIP
PFXMCEBAN	Male Reducing Elbow Adaptor 1/4" OD Tube x 1/8" MIP
PFXMCEBBN	Male Elbow Adaptor 1/4" OD Tube x 1/4" MIP
PFXMCEDCN	Male Reducing Elbow Adaptor 1/2" OD Tube x 3/8" MIP
PFXCEDDN	Union Elbow 1/2" OD Tube x 1/2" OD Tube
PFXMCECBN	Male Reducing Elbow Adaptor 3/8" OD Tube x 1/4" MIP
PFXMCECCN	Male Elbow Adaptor 3/8" OD Tube x 3/8" MIP
PFXFCECDN	Female Elbow Reducing Adaptor 3/8" OD Tube x 1/2" FIP
PFXMCECDN	Male Reducing Elbow Adaptor 3/8" OD Tube x 1/2" MIP
PFXCECCPN	Reducing Union Elbow 5/8" OD Tube x 3/8" OD Tube
PFXCEEEN	Union Elbow 5/8" OD Tube x 5/8" OD Tube
PFXCUDCN	Reducing Union 1/2" OD Tube x 3/8" OD Tube
PFXCUCBN	Reducing Union 3/8" OD Tube x 1/4" OD Tube
PFXCUBECPCN	Union 3/8" OD Tube x 3/8" OD Tube
PFXCUECN	Reducing Union 5/8" OD Tube x 3/8" OD Tube
PFXCCUEN	Union 5/8" OD Tube x 5/8" OD Tube
PFXCUACCN	Flare Compression Adaptor 3/8" Female Flare x 3/8" OD Tube
PFXCTDN	Tee 1/2" OD Tube x 1/2" OD Tube x 1/2" OD Tube
PFXCTCCBN	Reducing Tee 3/8" OD Tube x 3/8" OD Tube x 1/4" OD Tube
PFXCTCN	Tee 3/8" OD Tube x 3/8" OD Tube x 3/8" OD Tube
PFXCTEN	Tee 5/8" OD Tube x 5/8" OD Tube x 5/8" OD Tube

SKU	Description
PFXFCUBDN	Female Reducing Adaptor 1/4" OD Tube x 1/2" FIP
PFXMCUDBN	Male Reducing Adaptor 1/2" OD Tube x 1/4" MIP
PFXFCUDDN	Female Adaptor 1/2" OD Tube x 1/2" FIP
PFXFCUDCN	Female Reducing Adaptor 1/2" OD Tube x 3/8" FIP
PFXARBDCN	Compression Sweat Adaptor 1/2" Nominal Sweat x 3/8" OD Tube
PFXMCUDFN	Male Reducing Adaptor 1/2" OD Tube x 3/4" MIP
PFXFCUCBN	Female Reducing Adaptor 3/8" OD Tube x 1/4" FIP
PFXMCUCBN	Male Reducing Adaptor 3/8" OD Tube x 1/4" MIP
PFXMCUCDN	Male Reducing Adaptor 3/8" OD Tube x 1/2" MIP
PFXMCUGDCPN	Male Reducing Adaptor 3/8" OD Tube x 1/2" MIP
PFXMCUCCN	Male Adaptor 3/8" OD Tube x 3/8" MIP
PFXFCACCCPN	Adaptor 3/8" OD Tube x 3/8" FIP
PFXMCUCFN	Male Reducing Adaptor 3/8" OD Tube x 3/4" MIP
PFXMCUECN	Male Reducing Adaptor 5/8" OD Tube x 3/8" MIP
PFXMCUEDN	Male Reducing Adaptor 5/8" OD Tube x 1/2" MIP
PFXFCU78FN	Female Reducing Adaptor 7/8" OD Tube x 3/4" FIP
PFXMCU78GN	Male Reducing Adaptor 7/8" OD Tube x 1" MIP
PFXCEBBN	Union Elbow 1/4" OD Tube x 1/4" OD Tube
PFXMCEBCN	Male Reducing Elbow Adaptor 1/4" OD Tube x 3/8" MIP
PFXMCEDDN	Male Elbow Adaptor 1/2" OD Tube x 1/2" MIP
PFXMCECAN	Male Reducing Elbow Adaptor 3/8" OD Tube x 1/8" MIP
PFXFCECCN	Female Elbow Adaptor 3/8" OD Tube x 3/8" FIP
PFXCECCN	Union Elbow 3/8" OD Tube x 3/8" OD Tube
PFXFCEPCDCN	Female Elbow Reducing Adaptor 3/8" OD Tube x 1/2" FIP
PFXCEEEN	Reducing Union Elbow 5/8" OD Tube x 3/8" OD Tube
PFXMCEEDN	Male Reducing Elbow Adaptor 5/8" OD Tube x 1/2" MIP
PFXCUBN	Union 1/4" OD Tube x 1/4" OD Tube
PFXCUDN	Union 1/2" OD Tube x 1/2" OD Tube
PFXCUCN	Union 3/8" OD Tube x 3/8" OD Tube
PFXCUEDN	Reducing Union 5/8" OD Tube x 1/2" OD Tube
PFXCUECCPN	Reducing Union 5/8" OD Tube x 3/8" OD Tube
PFXCU78N	Union 7/8" OD Tube x 7/8" OD Tube
PFXCTBN	Tee 1/4" OD Tube x 1/4" OD Tube x 1/4" OD Tube
PFXCTFCCBN	Female Tee Adaptor 3/8" OD Female x 3/8" OD Tube x 1/4" OD Tube
PFXCTFCCCN	Female Tee Adaptor 3/8" OD Female x 3/8" OD Tube x 3/8" OD Tube
PFXCTCCPN	Tee 3/8" OD Tube x 3/8" OD Tube x 3/8" OD Tube

Listings & Certifications

- Low Lead Compliant CSA certified to NSF/ANSI 372 – Drinking water system components – Lead Content, and conforms to the requirements for “lead free” plumbing products as defined by California, Vermont, Maryland, and Louisiana state law and by Section 1417 of the US Safe Drinking Water Act.

