



Brass Compression Fittings

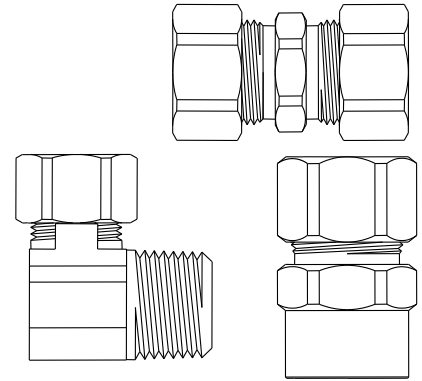
Use: For use with potable water, instrumentation, hydraulic, and pneumatic systems. Designed for use with aluminum, copper, and plastic tubing. Not intended for use with steel tubing.

Design Features

- Little to no tube preparation. Compression fittings do not require flaring, soldering, or other types of tube preparation
- Compatible with SAEJ512

Operating Specifications

- Temperature:** -65° – 250° F at maximum operating pressures
Working Pressure: See chart below
Vibration: Fair vibration resistance



| Fitting Material Specifications | |
|---------------------------------|--------------------|
| Body | Low Lead Compliant |
| Compression Sleeve | Brass |
| Compression Nut | Brass |

| Working Pressure | | |
|------------------|------------------|--------------------|
| PSI | Tube OD (Inches) | Tube Wall (Inches) |
| 400 | 1/8 | 0.030 |
| 400 | 3/16 | 0.030 |
| 300 | 1/4 | 0.030 |
| 300 | 5/16 | 0.032 |
| 200 | 3/8 | 0.032 |
| 200 | 1/2 | 0.032 |
| 150 | 5/8 | 0.035 |
| 100 | 3/4 | 0.035 |
| 75 | 7/8 | 0.035 |

| SKU | Description |
|------------------|---|
| PFCSAN | Sleeve For 1/8" OD Tube |
| PFPCSBN | Plastic Sleeve For 1/4" OD Tube |
| PFPCSDN | Plastic Sleeve For 1/2" OD Tube |
| PFPCSCN | Plastic Sleeve For 3/8" OD Tube |
| PFPCSEN | Plastic Sleeve For 5/8" OD Tube |
| PFCNAN | Nut For 1/8" OD Tube |
| PFCNDNN | Nut For 1/2" OD Tube |
| PFCNEN | Compression Nut For 5/8" OD Tube |
| PFXBRIDN | Brass Insert For 1/2" OD Tube |
| PFXBRIEN | Brass Insert For 5/8" OD Tube |
| PFXCCBN | Cap 1/4" OD Tube |
| PFXCCCN | Cap 3/8" OD Tube |
| PFXCPCN | Plug For 3/8" OD Tube |
| PFXMCUAAN | Male Adaptor 1/8" OD Tube x 1/8" MIP |
| PFXMCUBAN | Male Reducing Adaptor 1/4" OD Tube x 1/8" MIP |
| PFXMCUBBN | Male Adaptor 1/4" OD Tube x 1/4" MIP |

| SKU | Description |
|------------------|---|
| PFCSBN | Sleeve For 1/4" OD Tube |
| PFCSDN | Sleeve For 1/2" OD Tube |
| PFCSCN | Sleeve For 3/8" OD Tube |
| PFCSEN | Sleeve For 5/8" OD Tube |
| PFC578N | Sleeve For 7/8" OD Tube |
| PFCNBN | Nut For 1/4" OD Tube |
| PFCNCNN | Nut For 3/8" OD Tube |
| PFXBRIBN | Brass Insert For 1/4" OD Tube |
| PFXBRICN | Brass Insert For 3/8" OD Tube |
| PFXSSIEN | Stainless Steel Insert For 5/8" OD Tube |
| PFXCCDN | Cap 1/2" OD Tube |
| PFXCCEN | Cap 5/8" OD Tube |
| PFXLNPCN | Lav Nose Piece |
| PFXFCUBAN | Female Reducing Adaptor 1/4" OD Tube x 1/8" FIP |
| PFXFCUBBN | Female Adaptor 1/4" OD Tube x 1/4" FIP |
| PFXFCUBCN | Female Reducing Adaptor 1/4" OD Tube x 3/8" FIP |



Brass Compression Fittings

| SKU | Description |
|-------------|--|
| PFXMCUBCN | Male Reducing Adaptor 1/4" OD Tube x 3/8" MIP |
| PFXMCUBDN | Male Reducing Adaptor 1/4" OD Tube x 1/2" MIP |
| PFXCARBDBN | Sweat Reducing Adaptor 1/2" Nominal Sweat x 1/4" OD Tube |
| PFXMCUDDN | Male Adaptor 1/2" OD Tube x 1/2" MIP |
| PFXMCADCCPN | Male Reducing Adaptor 3/8" OD Tube x 1/2" MIP |
| PFXMCRADCN | Male Reducing Adaptor 1/2" OD Tube x 3/8" MIP |
| PFXMCUCAN | Male Reducing Adaptor 3/8" OD Tube x 1/8" MIP |
| PFXMCUCBCP | Male Reducing Adaptor 3/8" OD Tube x 1/4" MIP |
| PFXFCUCDN | Female Reducing Adaptor 3/8" OD Tube x 1/2" FIP |
| PFXFCUCDCPN | Female Reducing Adaptor 3/8" OD Tube x 1/2" FIP |
| PFXFCUCCN | Female Adaptor 3/8" OD Tube x 3/8" FIP |
| PFXMCUCPCCN | Male Adaptor 3/8" OD Tube x 3/8" MIP |
| PFXMCACCCPN | Adaptor 3/8" OD Tube x 3/8" MIP |
| PFXFCUECN | Female Reducing Adaptor 5/8" OD Tube x 3/8" FIP |
| PFXFCUEDN | Female Reducing Adaptor 5/8" OD Tube x 1/2" FIP |
| PFXMCUEFN | Male Reducing Adaptor 5/8" OD Tube x 3/4" MIP |
| PFXMCU78FN | Male Reducing Adaptor 7/8" OD Tube x 3/4" MIP |
| PFXMCEBAN | Male Reducing Elbow Adaptor 1/4" OD Tube x 1/8" MIP |
| PFXMCEBBN | Male Elbow Adaptor 1/4" OD Tube x 1/4" MIP |
| PFXMCEDCN | Male Reducing Elbow Adaptor 1/2" OD Tube x 3/8" MIP |
| PFXCEDDN | Union Elbow 1/2" OD Tube x 1/2" OD Tube |
| PFXMCECBN | Male Reducing Elbow Adaptor 3/8" OD Tube x 1/4" MIP |
| PFXMCECCN | Male Elbow Adaptor 3/8" OD Tube x 3/8" MIP |
| PFXFCECDN | Female Elbow Reducing Adaptor 3/8" OD Tube x 1/2" FIP |
| PFXMCECDN | Male Reducing Elbow Adaptor 3/8" OD Tube x 1/2" MIP |
| PFXCECCPN | Reducing Union Elbow 5/8" OD Tube x 3/8" OD Tube |
| PFXCEEEN | Union Elbow 5/8" OD Tube x 5/8" OD Tube |
| PFXCUDCN | Reducing Union 1/2" OD Tube x 3/8" OD Tube |
| PFXCUCBN | Reducing Union 3/8" OD Tube x 1/4" OD Tube |
| PFXCUBECPCN | Union 3/8" OD Tube x 3/8" OD Tube |
| PFXCUECN | Reducing Union 5/8" OD Tube x 3/8" OD Tube |
| PFXCCUEN | Union 5/8" OD Tube x 5/8" OD Tube |
| PFXCUACCN | Flare Compression Adaptor 3/8" Female Flare x 3/8" OD Tube |
| PFXCTDN | Tee 1/2" OD Tube x 1/2" OD Tube x 1/2" OD Tube |
| PFXCTCCBN | Reducing Tee 3/8" OD Tube x 3/8" OD Tube x 1/4" OD Tube |
| PFXCTCN | Tee 3/8" OD Tube x 3/8" OD Tube x 3/8" OD Tube |
| PFXCTEN | Tee 5/8" OD Tube x 5/8" OD Tube x 5/8" OD Tube |

| SKU | Description |
|-------------|---|
| PFXFCUBDN | Female Reducing Adaptor 1/4" OD Tube x 1/2" FIP |
| PFXMCUDBN | Male Reducing Adaptor 1/2" OD Tube x 1/4" MIP |
| PFXFCUDDN | Female Adaptor 1/2" OD Tube x 1/2" FIP |
| PFXFCUDCN | Female Reducing Adaptor 1/2" OD Tube x 3/8" FIP |
| PFXARBDCN | Compression Sweat Adaptor 1/2" Nominal Sweat x 3/8" OD Tube |
| PFXMCUDFN | Male Reducing Adaptor 1/2" OD Tube x 3/4" MIP |
| PFXFCUCBN | Female Reducing Adaptor 3/8" OD Tube x 1/4" FIP |
| PFXMCUCBN | Male Reducing Adaptor 3/8" OD Tube x 1/4" MIP |
| PFXMCUCDN | Male Reducing Adaptor 3/8" OD Tube x 1/2" MIP |
| PFXMCUGDCPN | Male Reducing Adaptor 3/8" OD Tube x 1/2" MIP |
| PFXMCUCCN | Male Adaptor 3/8" OD Tube x 3/8" MIP |
| PFXFCACCCPN | Adaptor 3/8" OD Tube x 3/8" FIP |
| PFXMCUCFN | Male Reducing Adaptor 3/8" OD Tube x 3/4" MIP |
| PFXMCUECN | Male Reducing Adaptor 5/8" OD Tube x 3/8" MIP |
| PFXMCUEDN | Male Reducing Adaptor 5/8" OD Tube x 1/2" MIP |
| PFXFCU78FN | Female Reducing Adaptor 7/8" OD Tube x 3/4" FIP |
| PFXMCU78GN | Male Reducing Adaptor 7/8" OD Tube x 1" MIP |
| PFXCEBBN | Union Elbow 1/4" OD Tube x 1/4" OD Tube |
| PFXMCEBCN | Male Reducing Elbow Adaptor 1/4" OD Tube x 3/8" MIP |
| PFXMCEDDN | Male Elbow Adaptor 1/2" OD Tube x 1/2" MIP |
| PFXMCECAN | Male Reducing Elbow Adaptor 3/8" OD Tube x 1/8" MIP |
| PFXFCECCN | Female Elbow Adaptor 3/8" OD Tube x 3/8" FIP |
| PFXCECCN | Union Elbow 3/8" OD Tube x 3/8" OD Tube |
| PFXFCEPCDCN | Female Elbow Reducing Adaptor 3/8" OD Tube x 1/2" FIP |
| PFXCEEEN | Reducing Union Elbow 5/8" OD Tube x 3/8" OD Tube |
| PFXMCEEDN | Male Reducing Elbow Adaptor 5/8" OD Tube x 1/2" MIP |
| PFXCUBN | Union 1/4" OD Tube x 1/4" OD Tube |
| PFXCUDN | Union 1/2" OD Tube x 1/2" OD Tube |
| PFXCUCN | Union 3/8" OD Tube x 3/8" OD Tube |
| PFXCUEDN | Reducing Union 5/8" OD Tube x 1/2" OD Tube |
| PFXCUECCPN | Reducing Union 5/8" OD Tube x 3/8" OD Tube |
| PFXCU78N | Union 7/8" OD Tube x 7/8" OD Tube |
| PFXCTBN | Tee 1/4" OD Tube x 1/4" OD Tube x 1/4" OD Tube |
| PFXCTFCCBN | Female Tee Adaptor 3/8" OD Female x 3/8" OD Tube x 1/4" OD Tube |
| PFXCTFCCCN | Female Tee Adaptor 3/8" OD Female x 3/8" OD Tube x 3/8" OD Tube |
| PFXCTCCPN | Tee 3/8" OD Tube x 3/8" OD Tube x 3/8" OD Tube |

Listings & Certifications

- Low Lead Compliant CSA certified to NSF/ANSI 372 – Drinking water system components – Lead Content, and conforms to the requirements for “lead free” plumbing products as defined by California, Vermont, Maryland, and Louisiana state law and by Section 1417 of the US Safe Drinking Water Act.

