



Brass Compression Fittings

Product Features

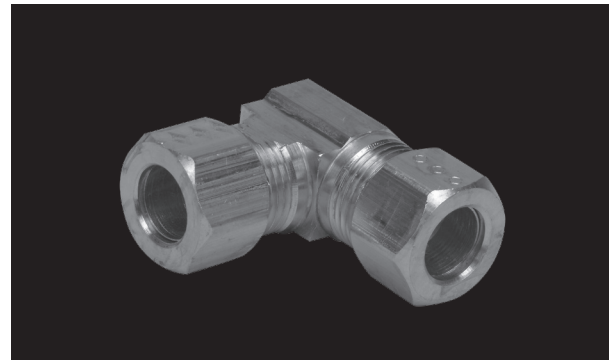
- For use with potable water, instrumentation, hydraulic and pneumatic systems
- Designed to be used with aluminum, copper and plastic tubing
- Low lead brass
- Pressure / Temperature rating: 150psi at 73F for all fittings
- NSF372 certified

Compliant Fitting

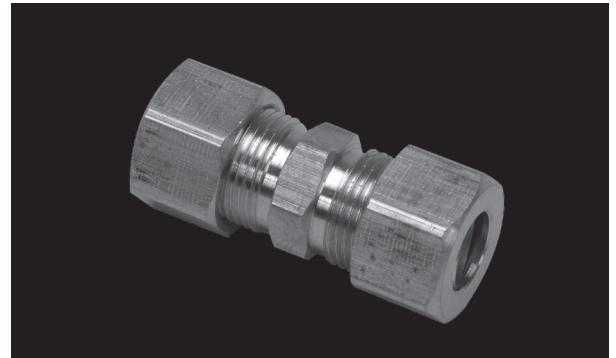
Material Specifications

Fitting Body	Compliant Brass
Compression Sleeve	Compliant Brass
Compression Nut	Brass

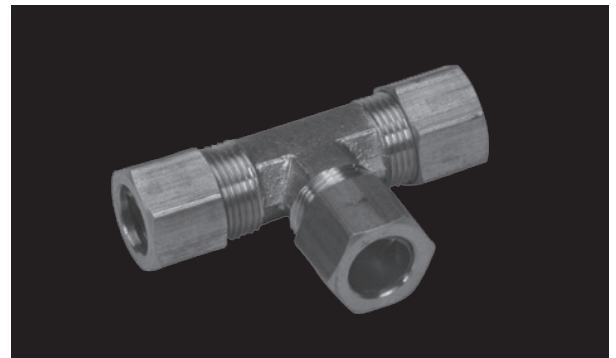
Alloy & Dimensional spec. C69300 (EcoBrass), Thread
Conforms to ANSI B1.20.1, Dimensions conform to SAE J512



PFXCECC



PFXCUC



PFXCTC

Warranty and Codes

This PROFLO product carries a 1-year limited warranty.



Brass Compression Fittings

SKU Offerings

Part Number	Description
PFXCCB	1/4 OD COMP CAP
PFXCCC	3/8 OD COMP CAP
PFXCCD	1/2 OD COMP CAP
PFXCCE	5/8 OD COMP CAP
PFXCPC	3/8 COMP PLUG
PFCNB	1/4 COMP NUT
PFCNC	3/8 COMP NUT
PFCND	1/2 COMP NUT
PFCNE	5/8 COMP NUT
PFXCSA	1/8 OD COMP SLV
PFXCSB	1/4 OD COMP SLV
PFXCSC	3/8 OD COMP SLV
PFXCSD	1/2 OD COMP SLV
PFXCSE	5/8 OD COMP SLV
PFXCS78	7/8 OD COMP SLV
PFXPCSB	1/4 OD PLAS COMP SLV
PFXPCSC	3/8 OD PLAS COMP SLV
PFXPCSD	1/2 OD PLAS COMP SLV
PFXPCSE	5/8 OD PLAS COMP SLV
PFXBRIB	1/4 OD BRS INS
PFXBRIC	3/8 OD BRS INS
PFXBRID	1/2 OD BRS INS
PFXBRIE	5/8 OD BRS INS
PFXCEBB	1/4 X 1/4 COMP ELL
PFXCECC	3/8 X 3/8 COMP ELL
PFXCEDD	1/2 X 1/2 COMP ELL
PFXCEEC	5/8 X 3/8 COMP ELL
PFXCEEE	5/8 X 5/8 COMP ELL
PFXMCEBA	1/4 OD X 1/8 MIP COMP ELL
PFXMCEBB	1/4 OD X 1/4 MIP COMP ELL
PFXMCECB	3/8 OD X 1/4 MIP COMP ELL
PFXMCECC	3/8 OD X 3/8 MIP COMP ELL
PFXFCECC	3/8 OD X 3/8 FIP COMP ELL
PFXMCECD	3/8 OD X 1/2 MIP COMP ELL
PFXFCECD	3/8 OD X 1/2 FIP COMP ELL
PFXFCEPCD	3/8 OD X 1/2 FIP COMP ELL CP
PFXMCEDC	1/2 OD X 3/8 MIP COMP ELL
PFXMCEDD	1/2 OD X 1/2 MIP COMP ELL
PFXMCEED	5/8 OD X 1/2 MIP COMP ELL
PFXCTB	1/4 COMP TEE
PFXCTCCB	3/8 X 3/8 X 1/4 COMP TEE
PFXCTC	3/8 COMP TEE
PFXCTD	1/2 COMP TEE
PFXCTE	5/8 COMP TEE
PFXCRFTB	1/4 BRS FIP TEE

Part Number	Description
PFXCUB	1/4 COMP UNION
PFXCUCB	3/8 X 1/4 COMP UNION
PFXCUC	3/8 COMP UNION
PFXCUBECPC	3/8 OD COMP UNION B/E CP
PFXCUEC	5/8 X 3/8 COMP UNION
PFXCUEB	5/8 X 1/2 COMP UNION
PFXCUE	5/8 COMP UNION
PFXCUDC	1/2 X 3/8 COMP UNION
PFXCUD	1/2 COMP UNION
PFXCU78	7/8 COMP UNION
PFXMCAA	1/8 OD X 1/8 MIP COMP UNION
PFXMCUBA	1/4 OD X 1/8 MIP COMP UNION
PFXFCUBA	1/4 OD X 1/8 FIP COMP UNION
PFXMCUBB	1/4 OD X 1/4 MIP COMP UNION
PFXFCUBB	1/4 OD X 1/4 FIP COMP UNION
PFXMCUBC	1/4 OD X 3/8 MIP COMP UNION
PFXFCUBC	1/4 OD X 3/8 FIP COMP UNION
PFXMCUBD	1/4 OD X 1/2 MIP COMP UNION
PFXFCUBD	1/4 OD X 1/2 FIP COMP UNION
PFXMCUCA	3/8 OD X 1/8 MIP COMP UNION
PFXMCUCB	3/8 OD X 1/4 MIP COMP UNION
PFXFCUCB	3/8 OD X 1/4 FIP COMP UNION
PFXMCUCC	3/8 OD X 3/8 MIP COMP UNION
PFXMCUCPC	3/8 OD X 3/8 MIP COMP UNION CP
PFXFCUCC	3/8 OD X 3/8 FIP COMP UNION
PFXMCUCD	3/8 OD X 1/2 MIP COMP UNION
PFXFCUCD	3/8 OD X 1/2 FIP COMP UNION
PFXMCUCF	3/8 OD X 3/4 MIP COMP UNION
PFXMCUDB	1/2 OD X 1/4 MIP COMP UNION
PFXMCRADC	1/2 OD TUBE X 3/8 MIP COMP RED AD
PFXFCUDC	1/2 OD X 3/8 FIP COMP UNION
PFXMCUDD	1/2 OD X 1/2 MIP COMP UNION
PFXFCUDD	1/2 OD X 1/2 FIP COMP UNION
PFXMCUDF	1/2 OD X 3/4 MIP COMP UNION
PFXMCUEC	5/8 OD X 3/8 MIP COMP UNION
PFXMCUED	5/8 OD X 1/2 MIP COMP UNION
PFXFCUED	5/8 OD X 1/2 FIP COMP UNION
PFXMCUEF	5/8 OD X 3/4 MIP COMP UNION
PFXMCU78F	7/8 OD X 3/4 MIP COMP UNION
PFXFCU78F	7/8 OD X 3/4 FIP COMP UNION
PFXCARBDB	1/2 SWT X 1/4 COMP ADPT RB
PFXARBDC	1/2 SWT X 3/8 COMP ADPT RB