



Brass Compression Fittings

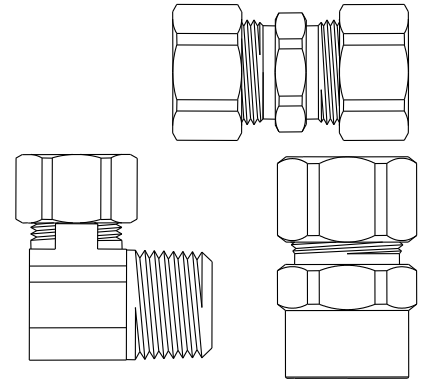
Use: For use with potable water, instrumentation, hydraulic, and pneumatic systems. Designed for use with aluminum, copper, and plastic tubing. Not intended for use with steel tubing.

Design Features

- Little to no tube preparation. Compression fittings do not require flaring, soldering, or other types of tube preparation
- Compatible with SAEJ512

Operating Specifications

- Temperature:** -65° – 250° F at maximum operating pressures
Working Pressure: See chart below
Vibration: Fair vibration resistance



Fitting Material Specifications	
Body	Low Lead Compliant
Compression Sleeve	Brass
Compression Nut	Brass

Working Pressure		
PSI	Tube OD (Inches)	Tube Wall (Inches)
400	1/8	0.030
400	3/16	0.030
300	1/4	0.030
300	5/16	0.032
200	3/8	0.032
200	1/2	0.032
150	5/8	0.035
100	3/4	0.035
75	7/8	0.035

SKU	Description
PFCSAN	Sleeve For 1/8" OD Tube
PFPCSBN	Plastic Sleeve For 1/4" OD Tube
PFPCSDN	Plastic Sleeve For 1/2" OD Tube
PFPCSCN	Plastic Sleeve For 3/8" OD Tube
PFPCSEN	Plastic Sleeve For 5/8" OD Tube
PFCNAN	Nut For 1/8" OD Tube
PFCNDNN	Nut For 1/2" OD Tube
PFCNEN	Compression Nut For 5/8" OD Tube
PFXBRIDN	Brass Insert For 1/2" OD Tube
PFXBRIEN	Brass Insert For 5/8" OD Tube
PFXCCBN	Cap 1/4" OD Tube
PFXCCCN	Cap 3/8" OD Tube
PFXCPCN	Plug For 3/8" OD Tube
PFXMCUAAN	Male Adaptor 1/8" OD Tube x 1/8" MIP
PFXMCUBAN	Male Reducing Adaptor 1/4" OD Tube x 1/8" MIP
PFXMCUBBN	Male Adaptor 1/4" OD Tube x 1/4" MIP

SKU	Description
PFCSBN	Sleeve For 1/4" OD Tube
PFCSDN	Sleeve For 1/2" OD Tube
PFCSCN	Sleeve For 3/8" OD Tube
PFCSEN	Sleeve For 5/8" OD Tube
PFC578N	Sleeve For 7/8" OD Tube
PFCNBN	Nut For 1/4" OD Tube
PFCNCNN	Nut For 3/8" OD Tube
PFXBRIBN	Brass Insert For 1/4" OD Tube
PFXBRICN	Brass Insert For 3/8" OD Tube
PFXSSIEN	Stainless Steel Insert For 5/8" OD Tube
PFXCCDN	Cap 1/2" OD Tube
PFXCCEN	Cap 5/8" OD Tube
PFXLNPCN	Lav Nose Piece
PFXFCUBAN	Female Reducing Adaptor 1/4" OD Tube x 1/8" FIP
PFXFCUBBN	Female Adaptor 1/4" OD Tube x 1/4" FIP
PFXFCUBCN	Female Reducing Adaptor 1/4" OD Tube x 3/8" FIP