



The new degree of comfort.™

Rheem Classic® Series Heat Pump



RP13 Series (3 Phase Only)

Efficiencies up to: 13.5 SEER/11.5 EER 7.7 HSPF
Nominal Sizes 3, 4 & 5 Ton [10.6, 14 & 17.6 kW]
Cooling Capacities 35.2 to 56.5 kBTU
[10.3 to 16.6 kW]



"Proper sizing and installation of equipment is critical to achieve optimal performance. Ask your Dealer for details or visit www.energystar.gov."

- New composite base pan – dampens sound, captures louver panels, eliminates corrosion and reduces number of fasteners needed
- Improved tubing design – reduces vibration and stress, making unit quieter and reducing opportunity for leaks
- Optimized defrost characteristics - decrease defrosting and provide better home comfort
- Powder coat paint system – for a long lasting professional finish
- Optimized reversing valve sizing – improves shifting performance for quieter unit operation and increased life of the system
- Enhanced mufflers – help to dissipate vibration energy for quieter unit operation
- Scroll compressor – a sound abating feature added to the compressor significantly reduces noise when system transitions in and out of defrost mode
- Modern cabinet aesthetics – increased curb appeal with visually appealing design
- Curved louver panels – provide ultimate coil protection, enhance cabinet strength, and increased cabinet rigidity
- Optimized fan orifice – optimizes airflow and reduces unit sound
- Rust resistant screws – confirmed through 1500-hour salt spray testing
- PlusOne™ **Expanded Valve Space** – 3"-4"-5" service valve space – provides a minimum working area of 27-square inches for easier access
- Integrated heat pump lift receptacle – allows standard CPVC stands to be inserted into the base
- PlusOne™ **Triple Service Access** – 15" wide, industry leading corner service access – makes repairs easier and faster. The two fastener removable corner allows optimal access to internal unit components. Individual louver panels come out once fastener is removed, for faster coil cleaning and easier cabinet reassembly
- Diagnostic service window with two-fastener opening – provides access to the TXV valves and the heat pump reversing valve before opening the unit.
- External gauge port access – allows easy connection of "low-loss" gauge ports
- Single-row condenser coil – makes unit lighter and allows thorough coil cleaning to maintain "out of the box" performance
- 35% fewer cabinet fasteners and fastener-free base – allow for faster access to internal components and hassle-free panel removal
- Service trays – hold fasteners or caps during service calls
- QR code – provides technical information on demand for faster service calls
- Fan motor harness with extra-long wires – allows unit top to be removed without disconnecting fan wire



TABLE OF CONTENTS

Standard Feature Table	3
Available SKUs	3
Features & Benefits	4-5
Model Number Identification	6-7
Physical Data	8
Electrical Data	8
Accessories	9
Weighted Sound Power	9
Thermostats	9
Unit Dimensions	10
Clearances	11
Wiring Diagrams	12
Application Guidelines	12
Refrigerant Line Size Information	13-14
Performance Data	15-19
Guide Specifications	20
Limited Warranty	21



Standard Feature Table

Feature	36	48	60
R-410a Refrigerant	√	√	√
Maximum SEER	13.5	13.5	13.5
Maximum EER	11.5	11.5	11.5
Scroll Compressor	√	√	√
Field Installed Filter Drier	√	√	√
Front Seating Service Valves	√	√	√
High Pressure Switch	√	√	√
Low Pressure Switch	√	√	√
Internal Pressure Relief Valve	√	√	√
Internal Thermal Overload	√	√	√
Long Line capability	√	√	√
Low Ambient capability with Kit	√	√	√
3-4-5 Service Valve Access	√	√	√
Composite Basepan	√	√	√
2 Screw Control Box Access	√	√	√
15" Access to Internal Components	√	√	√
Quick release louver panel design	√	√	√
No fasteners to remove along bottom	√	√	√
Optimized Venturi Airflow	√	√	√
Single row condenser coil	√	√	√
Powder coated paint	√	√	√
Rust resistant screws	√	√	√
QR code	√	√	√
External gauge ports	√	√	√
Service trays	√	√	√

√ = Standard

Available SKU

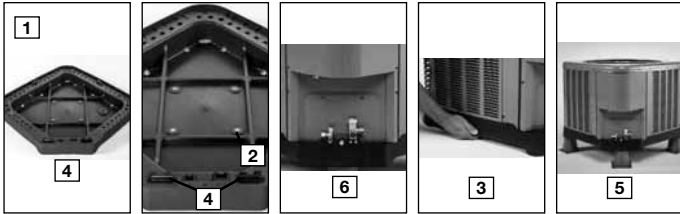
Available Models	Description
RP1336AC1NA	<i>Classic</i> ® 3 ton 13 SEER Single-Stage Heat Pump-208/230/3/60
RP1348AC1NA	<i>Classic</i> ® 4 ton 13 SEER Single-Stage Heat Pump-208/230/3/60
RP1360AC1NA	<i>Classic</i> ® 5 ton 13 SEER Single-Stage Heat Pump-208/230/3/60
RP1336AD1NA	<i>Classic</i> ® 3 ton 13 SEER Single-Stage Heat Pump-460/3/60
RP1348AD1NA	<i>Classic</i> ® 4 ton 13 SEER Single-Stage Heat Pump-460/3/60
RP1360AD1NA	<i>Classic</i> ® 5 ton 13 SEER Single-Stage Heat Pump-460/3/60



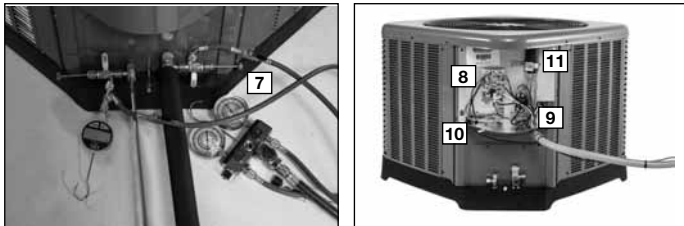
Introduction to RP13 Heat Pump

The RP13 is our 13 SEER 3 phase heat pump and is part of the Rheem heat pump product line that extends from 13 to 20 SEER. This highly featured and reliable heat pump is designed for years of reliable, efficient operation when matched with Rheem indoor aluminum evaporator coils and furnaces or air handler units with aluminum evaporators.

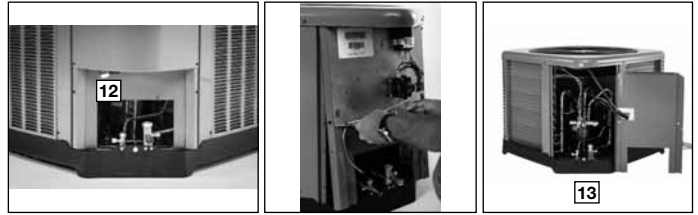
Our unique composite base (1) reduces sound emission, eliminates rattles, significantly reduces fasteners, eliminates corrosion and has integrated brass compressor attachment inserts (2). Furthermore it has incorporated into the design, water management features, means for hand placement (3) for unit maneuvering, screw trays (4) and inserts for lifting unit off pad. (5)



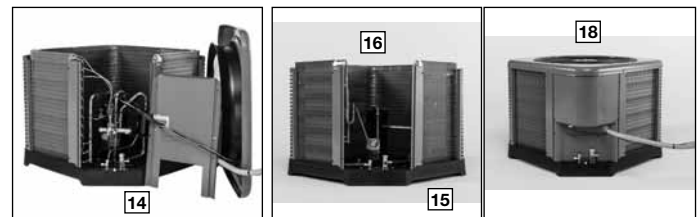
Service Valves (6) are rigidly mounted in the composite base with 3" between suction and discharge valves, 4" clearance below service valves and a minimum of 5" above the service valves, creating industry leading installation ease. The minimum 27-square inches around the service valves allows ample room to remove service valve schrader prior to brazing, plenty of clearance for easy brazing of the suction and discharge lines to service valve outlets, easy access and hookup of low loss refrigerant gauges (7), and access to the service valve caps for opening. For applications with long-line lengths up to 250 feet total equivalent length, up to 200 feet heat pump above evaporator, or up to 80 feet evaporator above heat pump, the long-line instructions in the installation manual should be followed.



Controls are accessed from the corner of the unit by removing only two fasteners from the control access cover, revealing the industry's largest 15" wide and 14" tall control area (8). With all this room in the control area the high voltage electrical whip (9) can easily be inserted through the right size opening in the bottom of the control area. Routing it leads directly to contractor lugs for connection. The low voltage control wires (10) are easily connected to units low voltage wiring. If contactor defrost control or capacitor (11) needs to be replaced there is more than adequate space to make the repair. Furthermore, the service window (12) can be removed to access the TXV and reversing valve by removing two screws or the entire corner can be removed providing ultimate access to the TXV or reversing valve. (13)



If in the rare event, greater access is needed to internal components, such as the compressor, the entire corner of the unit can be removed along with the top cover assembly to have unprecedented access to interior of the unit (14). Extra wire length is incorporated into each outdoor fan and compressor so top cover and control panel can be positioned next to unit. With minimal effort the plug panel can be removed from the compressor and the outdoor fan wires can be removed from the capacitor to allow even more uncluttered access to the interior of the unit (15). Outdoor coils heights range from as short as 24" to 36", aiding access to the compressor. Disassembly to this degree and complete reassembly only takes a first time service technician less than 10 minutes. (18)



All units utilize strong formed louver panels which provide industry leading coil protection. Louver removal for coil cleaning is accomplished by removing one screw and lifting the panel out of the composite base pan (17). All RP13 units utilize single row coils (16) making cleaning easy and complete, restoring the performance of the heat pump back to out of the box performance levels year after year.

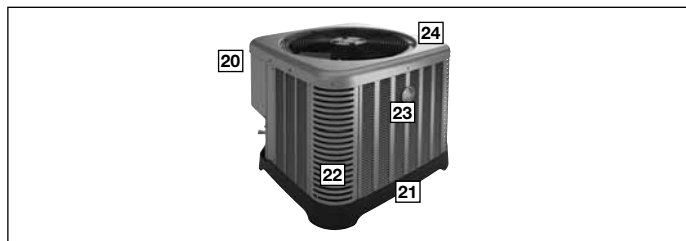


The outdoor fan motor has sleeve bearings and is inherently protected. The motor is totally enclosed for maximum protection from weather, dust and corrosion. Access to the outdoor fan is made by removing four fasteners from the fan grille. The outdoor fan can be removed from the fan grille by removing 4 fasteners in the rare case outdoor fan motor fails.

Each cabinet has optimized composite (19) fan orifice assuring efficient and quiet airflow.

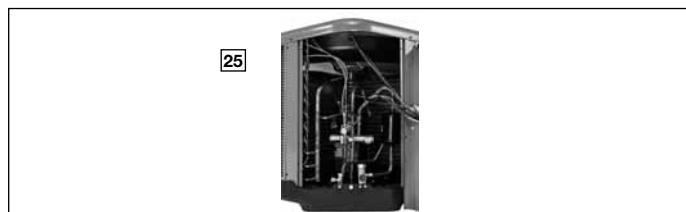


The entire cabinet has powder post paint (20) achieving 1000 hour salt spray rating, allowing the cabinet to retain its aesthetics throughout its life.



Scroll compressors with standard internal pressure relief and internal thermal overload are used on all capacities assuring longevity of high efficient and quiet operation for the life of the product. All RP13 Heat Pumps come standard with high and low pressure switches.

Each unit is shipped with filter drier for field installation and will trap any moisture or dirt that could contaminate the refrigerant system.



All cabinets have industry leading structural strength due to the composite base pan (21), interlocking corner post (22), formed curved louver panels (23) and drawn top cover (24) making it the most durable cabinet on the market today.

Each RP13 capacity has undergone rigorous psychrometric testing to assure performance ratings of capacity, SEER, EER and HSPF per AHRI Standard 210/240 rating conditions. Also each unit bears the UL mark and each unit is certified to UL 1995 safety standards.



Each unit has undergone specific strain and modal testing to assure tubing (25) is outside the units natural frequency and that the suction and discharge lines connected to the compressor with stand any starting, steady state operation or shut down forces imposed by the compressor.

All units have been sound tested in sound chamber to AHRI 270 rating conditions, and A-weighted Sound Power Level tables produced, assuring units have acceptable noise qualities (see page 9). Each unit has been ran in cooling operation at 95°F and 47°F and sound ratings for the RP13 range from as low as 74 dBA to 77 dBA.

All units have been ship tested to assure units meet stringent “over the road” shipping conditions.

As manufactured all units in the RP13 family have cooling capability to 55 °F. Addition of low ambient control will allow the unit to operate down to 0°F.

Factory testing is performed on each unit. All component parts meet well defined specification and continually go through receiving inspections. Each component installed on a unit is scanned, assuring correct component utilization for a given unit capacity and voltage. All condenser coils are leak tested with pressurization test to 550#’s and once installed and assembled, each units’ complete refrigerant system is helium leak tested. All units are fully charged from the factory for up to 15 feet of piping. All units are factory run tested. The RP13 has a 10-year conditional compressor and parts warranty (registration required).

Optional Accessories (Refer to accessory chart for model #)

Compressor Crankcase Heater

- Protects against refrigerant migration that can occur during low ambient operation

Compressor Sound Cover

- Reinforced vinyl compressor cover containing a 1½ inch thick batt of fiberglass insulation
- Open edges are sealed with a one-inch wide hook and loop fastening tape

Compressor hard Start Kit

- Single-phase units are equipped with a PSC compressor motor. This type of motor normally does not need a potential relay and start capacitor
- In conditions such as low voltage, this kit may be required to increase the compressor starting torque

Low Ambient Kit

- Heat Pump operate satisfactorily in the cooling mode down to 55°F outdoor air temperature without any additional controls
- Kit can be added in the field enabling unit to operate properly down to 0° in the cooling mode
- Crankcase heater and freezestat should be installed on compressors equipped with a low ambient kit

3"/6"/12"

- Gray high density polyethylene feet are available to raise unit off of mounting surface away from moisture



Heat Pumps

R	P	13	24	A	J	1	N	A	*
Brand	Product Category	SEER	Capacity BTU/HR	Major Series*	Voltage	Type	Controls	Minor Series**	Option Code
Rheem	P - Heat Pump	13 - 13 SEER 14 - 14 SEER 16 - 16 SEER 17 - 17 SEER 20 - 20 SEER	18 - 18,000 [5.28 kW] 24 - 24,000 [7.03 kW] 30 - 30,000 [8.79 kW] 36 - 36,000 [10.55 kW] 42 - 42,000 [12.31 kW] 48 - 48,000 [14.07 kW] 60 - 60,000 [17.58 kW]	A - 1st Design	J - 1ph, 208-230/60 C - 3ph, 208-230/60 D - 3ph, 460/60	1 - Single-stage V - Inverter P - Piston	C - Communicating N - Non-communicating	A - 1st Design	N/A

Air Conditioners (For Reference)

R	A	14	24	A	J	1	N	A	*
Brand	Product Category	SEER	Capacity BTU/HR [kW]	Major Series*	Voltage	Type	Controls	Minor Series**	Option Code
Rheem	A - Air Conditioners	13 - 13 SEER 14 - 14 SEER 16 - 16 SEER 17 - 17 SEER 20 - 20 SEER	18 - 18,000 [5.28 kW] 24 - 24,000 [7.03 kW] 30 - 30,000 [8.79 kW] 36 - 36,000 [10.55 kW] 42 - 42,000 [12.31 kW] 48 - 48,000 [14.07 kW] 60 - 60,000 [17.58 kW]	A - 1st Design	J - 1ph, 208-230/60 C - 3ph, 208-230/60 D - 3ph, 460/60	1 - Single-stage 2 - Two-stage V - Inverter	C - Communicating N - Non-communicating	A - 1st Design	N/A

Furnace Coils (For Reference)

R	C	E	24	17	S	I	A	M	C	A	*
Brand	Product Category	Type	Capacity BTU/HR	Width	Efficiency	Metering Device	Major Series*	Orientation	Casing	Minor Series**	Option Code
Rheem	C - Evap Coil	F - Furn Coil H - Air-Handler Coil	24 - 24,000 [7.03 kW] 36 - 36,000 [10.55 kW] 48 - 48,000 [14.07 kW] 60 - 60,000 [17.58 kW]	14 - 14" 17 - 17.5" 21 - 21" 24 - 24.5"	S - Standard Eff. M - Mid Eff. H - High Eff.	T-TXV E-EEV P-Piston	A - 1st Design	M - Multi-poise	C - Cased U - Uncased	A - 1st Design	N/A

[] Designates Metric Conversions



Physical Data				
Model No. #		RP1336	RP1348	RP1360
Nominal Tonnage		3.0	4.0	5.0
Valve Connections				
	Liquid Line O.D. – in.	3/8	3/8	3/8
	Suction Line O.D. – in.	3/4	7/8	7/8
Refrigerant (R410A) furnished oz. ¹		123	155	244
Compressor Type		Scroll		
Outdoor Coil				
	Net face area – Outer Coil	14.9	19.8	24.2
	Net face area – Inner Coil	—	—	—
	Tube diameter – in.	3/8	3/8	3/8
	Number of rows	1	1	1
	Fins per inch	20	20	20
Outdoor Fan				
	Diameter – in.	24	24	26
	Number of blades	3	3	3
	Motor hp	1/6	1/5	1/5
	CFM	3335	4055	4780
	RPM	825	825	850
	watts	173	228	279
Shipping weight – lbs.		178	234	269
Operating weight – lbs.		171	227	262

Electrical Data				
Line Voltage Data (Volts-Phase-Hz)		208/230-3-60	208/230-3-60	208/230-3-60
	Maximum overcurrent protection (amps) ²	20	30	35
	Minimum circuit ampacity ³	14	19	21
Compressor				
	Rated load amps	10.4	13.7	15.9
	Locked rotor amps	73	83.1	110
Condenser Fan Motor				
	Full load amps	0.8	1.2	1.4
	Locked rotor amps	1.5	2.2	2.8
Line Voltage Data (Volts-Phase-Hz)		480-3-60	480-3-60	480-3-60
	Maximum overcurrent protection (amps) ²	15	15	15
	Minimum circuit ampacity ³	8	9	10
Compressor				
	Rated load amps	5.8	6.2	7.1
	Locked rotor amps	38	41	52
Condenser Fan Motor				
	Full load amps	.5	.6	.5
	Locked rotor amps	1.1	1.5	1.4

¹Refrigerant charge sufficient for 15 ft. length of refrigerant lines. For longer line set requirements see the installation instructions for information about set length and additional refrigerant charge required.

²HACR type circuit breaker or fuse.

³Refer to National Electrical Code manual to determine wire, fuse and disconnect size requirements.

Accessories

Model No.	RP1336	RP1348	RP1360
Compressor crankcase heater	44-17402-44	44-17402-45	Factory Standard
Low ambient control	RXAD-A08	RXAD-A08	RXAD-A08
Compressor sound cover	68-23427-26	68-23427-25	68-23427-25
Compressor hard start kit	N/A	N/A	N/A
Low pressure control*	Factory Standard	Factory Standard	Factory Standard
High pressure control*	Factory Standard	Factory Standard	Factory Standard
Liquid Line Solenoid (24 VAC, 50/60 Hz)	Solenoid Valve	200RD2T3TVLC	200RD3T3TVLC
	Solenoid Coil	61-AMG24V	61-AMG24V
	Bi-flow kit*	KS30387	KS30387
Liquid Line Solenoid (120/240 VAC, 50/60 Hz)	Solenoid Valve	200RD2T3TVLC	200RD3T3TVLC
	Solenoid Coil	61-AMG120/240V	61-AMG120/240V
	Bi-flow kit*	KS30387	KS30387
Classic Top Cap w/Label	91-101123-21	91-101123-21	91-101123-21

*Bi-flow kits are required when installing a liquid line solenoid on a heat pump.

Weighted Sound Power Level (dBA)

RP13 SOUND POWER LEVEL										
Model	Sound Power Level [dB(A)]	Full Octave Linear Sound Power Level dB - Center Frequency - Hz								Sound Power Level [dB(A)] with Sound Blanket
		125	250	500	1000	2000	4000	6300	8000	
RP1336A	74.3	50.5	58	63.5	65.1	61.2	56.1	55.9	53.7	73.2
RP1348A	77.5	54.5	55.1	64.4	67.3	64.3	58.2	55.8	53.6	75.2
RP1360A	77.2	53.9	56.3	65.7	70.3	65.4	61.2	58.8	55.8	75.4

NOTE: Tested in accordance with AHRI Standard 270-08 (not listed in AHRI)

Thermostats



200-Series *
Programmable



300-Series *
Deluxe Programmable

400-Series *
Special Applications/
Programmable



500-Series *
Communicating/
Programmable

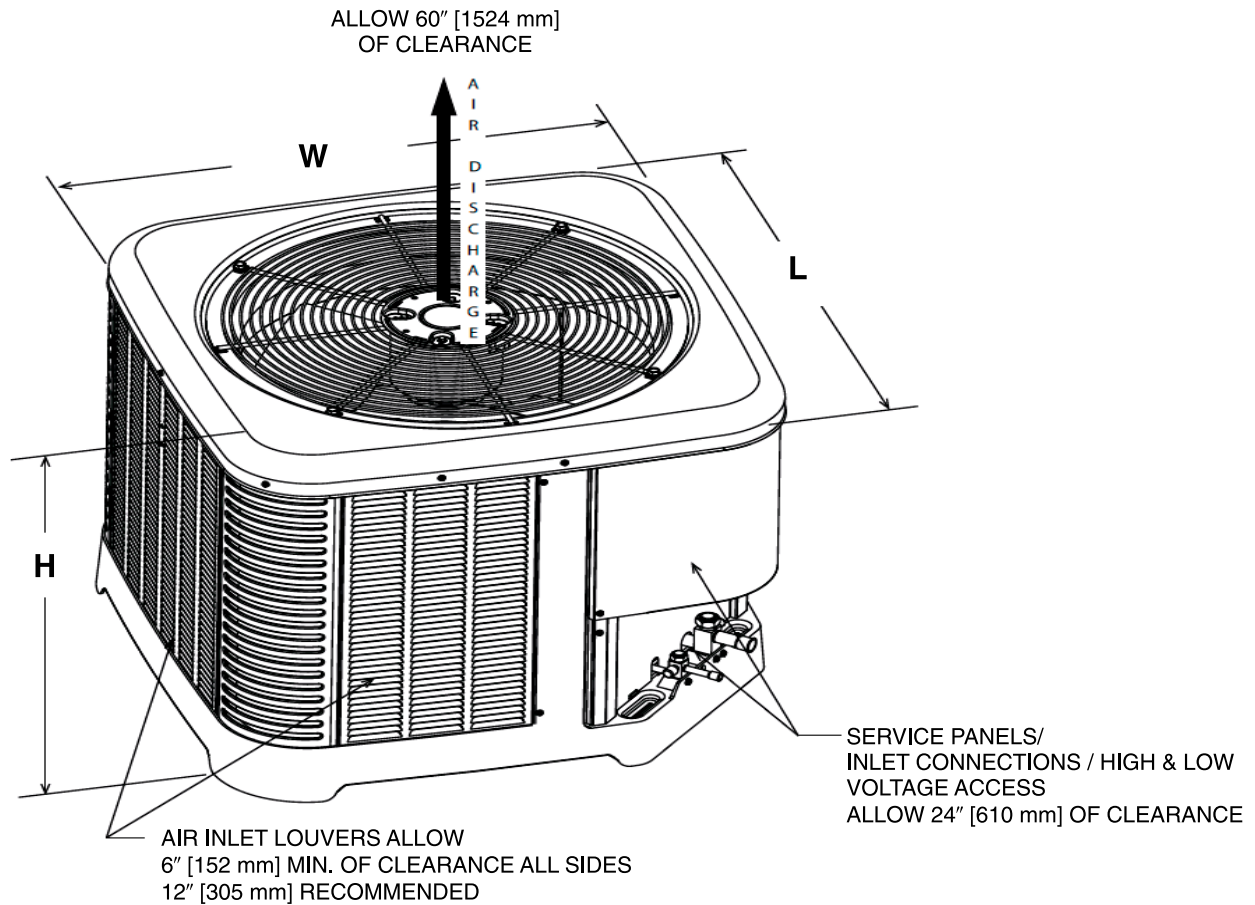
Brand	Descriptor (3 Characters)	Series (3 Characters)	System (2 Characters)	Type (2 Characters)
RHC	- TST	213	UN	MS
RHC=Rheem	TST=Thermostat	200=Programmable 300=Deluxe Programmable 400=Special Applications/ Programmable 500=Communicating/ Programmable	GE=Gas/Electric UN=Universal (AC/HP/GE) MD=Modulating Furnace DF=Dual Fuel CM=Communicating	SS=Single-Stage MS=Multi-Stage

* Photos are representative. Actual models may vary.

For detailed thermostat match-up information, see specification sheet form number T11-001.

Unit Dimensions

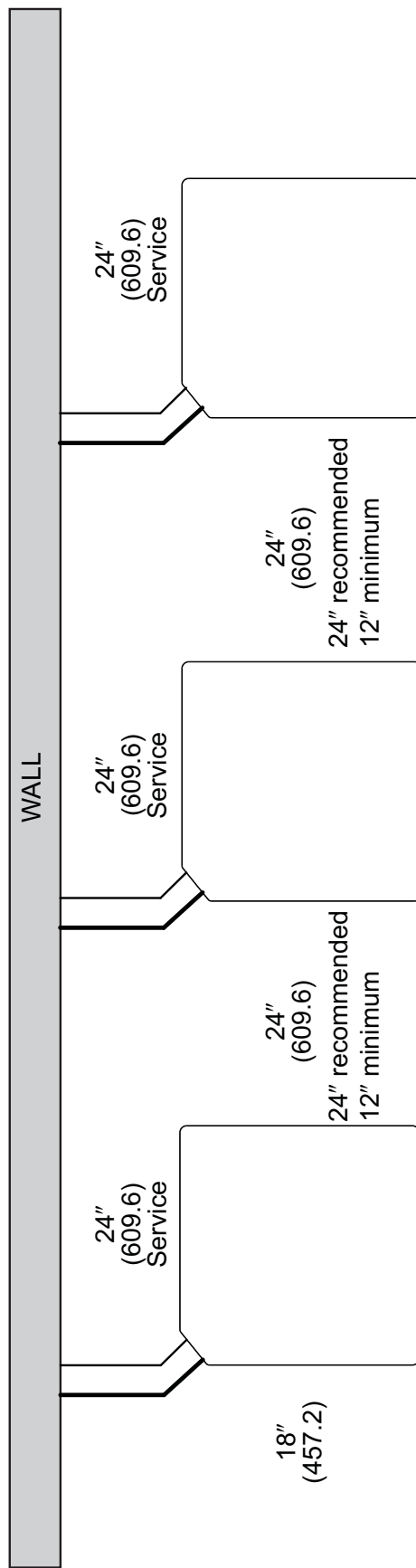
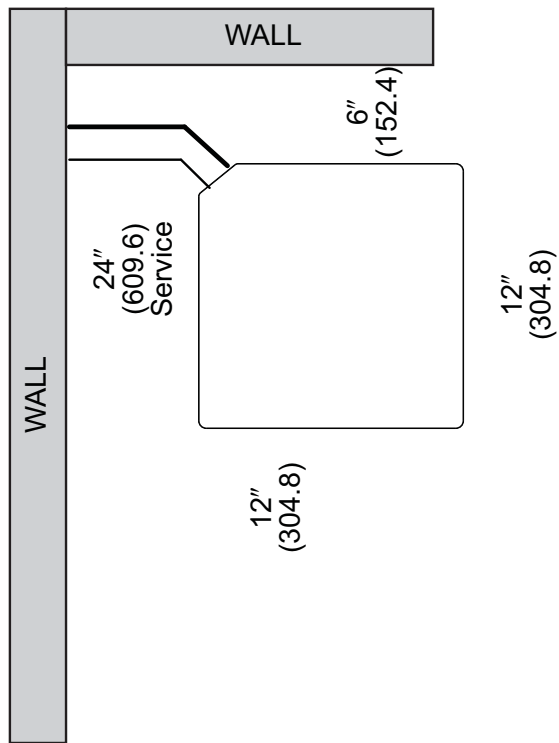
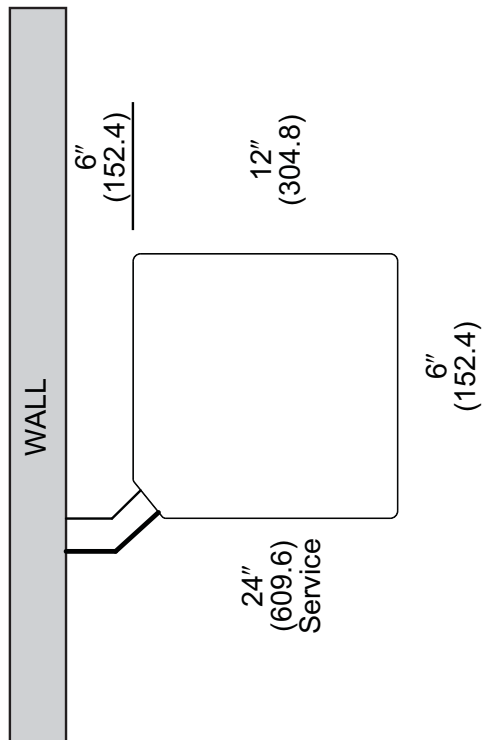
MODEL NUMBER	OPERATING						SHIPPING					
	H (Height)		L (Length)		W (Width)		H (Height)		L (Length)		W (Width)	
	INCHES	mm	INCHES	mm	INCHES	mm	INCHES	mm	INCHES	mm	INCHES	mm
RP1336	27	685	33.75	857	33.75	857	28.75	679	36.38	924	36.38	924
RP1348	35	889	33.75	857	33.75	857	36.75	933	36.38	924	36.38	924
RP1360	39	990	35.75	908	35.75	908	40.75	1035	38.38	975	38.38	975



[] Designates Metric Conversions

ST-A1226-02-00

CLEARANCES

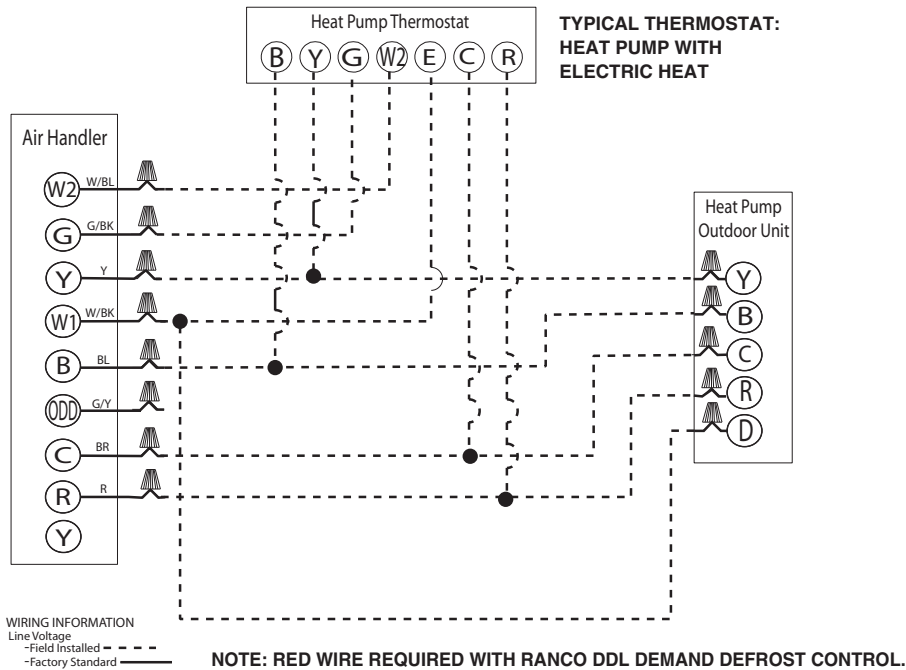


NOTE: NUMBERS IN () = mm

IMPORTANT: When installing multiple units in an alcove, roof well or partially enclosed area, ensure there is adequate ventilation to prevent re-circulation of discharge air.

Control Wiring

FIGURE 4
CONTROL WIRING FOR AIR HANDLER



NOTES:

1. Jumper "E" to "W2" to transfer control of supplemental heat to 1st stage when the emergency heat switch is on.
2. This wire turns on heat for defrost, omit for most economical operation.
3. Wire with colored tracing stripe.

Application Guidelines

1. Intended for outdoor installation with free air inlet and outlet. Outdoor fan external static pressure available is less than 0.01 -in. wc.
2. Minimum outdoor operation air temperature for cooling mode without low-ambient operation accessory is 55°F (12.8°C).
3. Maximum outdoor operating air temperature is 125°F (51.7°C).
4. For reliable operation, unit should be level in all horizontal planes.
5. Use only copper wire for electric connections at unit. Aluminum and clad aluminum are not acceptable for the type of connector provided.
6. Do not apply capillary tube indoor coils to these units.
7. Factory – supplied filter drier must be installed.

Heat Pump Refrigerant Line Size Information

R-410A System Capacity Model	Liquid Line Size Connection Size (Inch I.D.) (mm)	Liquid Line Size (Inch O.D.) (mm)	Liquid Line Selection Chart																			
			Elevation (Above or Below) Indoor Coil																			
			Total Equivalent Length - Feet [m]																			
			25 [7.62]	50 [15.24]	75 [22.86]	100 [30.48]	125 [45.72]	150 [45.72]	175 [53.34]	200 [60.96]	225 [68.58]	250 [76.20]	275 [83.82]	300 [91.44]								
			Maximum Vertical Separation - Feet [m]																			
36	3/8" [9.53]	1/4 [6.35]	N/R	N/R	N/R	N/R	N/R	N/R	N/R	N/R	N/R	N/R	N/R	N/R	N/R	N/R	N/R	N/R	N/R	N/R		
		5/16 [7.94]	25 [7.62]	50 [15.24]	55 [16.76]	30 [9.14]	20 [6.1]	N/R	N/R	N/R	N/R	N/R	N/R	N/R	N/R	N/R	N/R	N/R	N/R	N/R	N/R	
		3/8 [9.53]	25 [7.62]	50 [15.24]	75 [22.86]	70 [21.34]	70 [21.34]	65 [19.81]	60 [18.29]	55 [16.76]	50 [15.24]	45 [13.72]	45 [13.72]	45 [13.72]	40 [12.19]							
		7/16 [11.12]	25 [7.62]	50 [15.24]	75 [22.86]	85 [25.91]	85 [25.91]	80 [24.38]	80 [24.38]	80 [24.38]	80 [24.38]	80 [24.38]	80 [24.38]	75 [22.86]	75 [22.86]	70 [21.34]						
		1/2 [12.71]	25 [7.62]	50 [15.24]	75 [22.86]	90 [27.43]	90 [27.43]	90 [27.43]	90 [27.43]	85 [25.91]	85 [25.91]	85 [25.91]	85 [25.91]	85 [25.91]	85 [25.91]	85 [25.91]	85 [25.91]	85 [25.91]	85 [25.91]	85 [25.91]	85 [25.91]	85 [25.91]
48	3/8" [9.53]	1/4 [6.35]	N/R	N/R	N/R	N/R	N/R	N/R	N/R	N/R	N/R	N/R	N/R	N/R	N/R	N/R	N/R	N/R	N/R	N/R		
		5/16 [7.94]	25 [7.62]	35 [10.67]	10 [3.05]	N/R	N/R	N/R	N/R	N/R	N/R	N/R	N/R	N/R	N/R	N/R	N/R	N/R	N/R	N/R	N/R	
		3/8 [9.53]	25 [7.62]	50 [15.24]	55 [16.76]	40 [12.19]	30 [9.14]	25 [7.62]	15 [4.57]	10 [3.05]	10 [3.05]	10 [3.05]	10 [3.05]	10 [3.05]	10 [3.05]	10 [3.05]	10 [3.05]	10 [3.05]	10 [3.05]	10 [3.05]	10 [3.05]	
		7/16 [11.12]	25 [7.62]	50 [15.24]	70 [21.34]	60 [18.29]	60 [18.29]	55 [16.76]	50 [15.24]	50 [15.24]	50 [15.24]	50 [15.24]	45 [13.72]	45 [13.72]	45 [13.72]	40 [12.19]						
		1/2 [12.71]	25 [7.62]	50 [15.24]	75 [22.86]	70 [21.34]	70 [21.34]	70 [21.34]	65 [19.81]	65 [19.81]	65 [19.81]	65 [19.81]	65 [19.81]	65 [19.81]	65 [19.81]	60 [18.29]						
60	3/8" [9.53]	1/4 [6.35]	N/R	N/R	N/R	N/R	N/R	N/R	N/R	N/R	N/R	N/R	N/R	N/R	N/R	N/R	N/R	N/R	N/R	N/R		
		5/16 [7.94]	25 [7.62]	10 [3.05]	N/R	N/R	N/R	N/R	N/R	N/R	N/R	N/R	N/R	N/R	N/R	N/R	N/R	N/R	N/R	N/R	N/R	
		3/8 [9.53]	25 [7.62]	50 [15.24]	40 [12.19]	30 [9.14]	20 [6.1]	10 [3.05]	10 [3.05]	10 [3.05]	10 [3.05]	10 [3.05]	10 [3.05]	10 [3.05]	10 [3.05]	10 [3.05]	10 [3.05]	10 [3.05]	10 [3.05]	10 [3.05]	10 [3.05]	
		7/16 [11.12]	25 [7.62]	50 [15.24]	60 [18.29]	55 [16.76]	50 [15.24]	45 [13.72]	40 [12.19]	40 [12.19]	40 [12.19]	40 [12.19]	35 [10.67]	30 [9.14]	25 [7.62]	20 [6.1]						
		1/2 [12.71]	25 [7.62]	50 [15.24]	65 [19.81]	65 [19.81]	60 [18.29]	60 [18.29]	60 [18.29]	60 [18.29]	60 [18.29]	60 [18.29]	60 [18.29]	60 [18.29]	60 [18.29]	60 [18.29]	60 [18.29]	60 [18.29]	60 [18.29]	60 [18.29]	60 [18.29]	60 [18.29]

NOTES:

N/R = Application not recommended.

Grey = This application is acceptable, but the long line guidelines must be followed. Reference Long Line Set section in the I&O

[] Designates Metric Conversions

Performance Data @ AHRI Standard Conditions – Heat Pump

High Sales Volume Tested Combination (HSVTC)													
Outdoor Unit	Air Handler	Total Capacity BTU/H [kW]	Net Sensible BTU/H [kW]	Net Latent BTU/H [kW]	SEER	EER	Indoor CFM [L/s]	47 Degree Heating Capacity BTU/H [kW]	47 Degree COP	17 Degree Heating Capacity BTU/H [kW]	17 Degree COP	Region IV HSPF	AHRI#
RP1336AC	RH1T3617STAN	35200 [10.3]	26200 [7.7]	9000 [2.6]	13.50	11.50	1200 [566.3]	34800 [10.2]	3.66	22400 [6.6]	2.54	7.7	8047873
RP1348AC	RH1T4821STAN	48000 [14.1]	35700 [10.5]	12300 [3.6]	13.50	11.50	1525 [719.7]	46000 [13.5]	3.60	29800 [8.7]	2.60	7.7	8047937
RP1360AC	RH1T6024STAN	56500 [16.6]	40800 [12.0]	15700 [4.6]	13.50	11.50	1800 [849.5]	57000 [16.7]	3.80	35800 [10.5]	2.66	7.7	8047989

Air Handler Ratings													
Outdoor Unit	Air Handler	Total Capacity BTU/H [kW]	Net Sensible BTU/H [kW]	Net Latent BTU/H [kW]	SEER	EER	Indoor CFM [L/s]	47 Degree Heating Capacity BTU/H [kW]	47 Degree COP	17 Degree Heating Capacity BTU/H [kW]	17 Degree COP	Region IV HSPF	AHRI#
RP1336AC	RH1P3617STAN	34200 [10.0]	24700 [7.2]	9500 [2.8]	13.00	11.00	1100 [519.1]	35000 [10.3]	3.46	22400 [6.6]	2.40	7.7	8047871
	RH1P3621STAN	34200 [10.0]	24700 [7.2]	9500 [2.8]	13.00	11.00	1100 [519.1]	35000 [10.3]	3.46	22400 [6.6]	2.40	7.7	8047872
	RH1V3617STAN	35000 [10.3]	26000 [7.6]	9000 [2.6]	13.50	11.50	1225 [578.1]	35000 [10.3]	3.66	22400 [6.6]	2.54	7.7	8047874
RP1348AC	RH1P4821STAN	47000 [13.8]	34400 [10.1]	12600 [3.7]	13.00	11.00	1500 [707.9]	46500 [13.6]	3.50	30600 [9.0]	2.50	7.7	8047936
	RH1T4824STAN	48000 [14.1]	35700 [10.5]	12300 [3.6]	13.50	11.50	1550 [731.5]	45500 [13.3]	3.66	29800 [8.7]	2.66	7.7	8047938
	RH1V4821STAN	47000 [13.8]	33700 [9.9]	13300 [3.9]	13.50	11.50	1400 [660.7]	45000 [13.2]	3.60	29200 [8.6]	2.54	7.7	8047939
	RH1V4824STAN	48000 [14.1]	35700 [10.5]	12300 [3.6]	13.50	11.50	1625 [766.9]	45500 [13.3]	3.66	29800 [8.7]	2.66	7.7	8047940
RP1360AC	RH1V6024STAN	56500 [16.6]	40700 [11.9]	15800 [4.6]	13.50	11.50	1800 [849.5]	57000 [16.7]	3.84	35800 [10.5]	2.70	7.7	8047990
	RH2V6024HTAC	56000 [16.4]	39600 [11.6]	16400 [4.8]	13.50	11.50	1725 [814.1]	56000 [16.4]	3.80	35200 [10.3]	2.66	7.7	8047991

Coil Only Ratings													
Outdoor Unit	Indoor Coil	Total Capacity BTU/H [kW]	Net Sensible BTU/H [kW]	Net Latent BTU/H [kW]	SEER	EER	Indoor CFM [L/s]	47 Degree Heating Capacity BTU/H [kW]	47 Degree COP	17 Degree Heating Capacity BTU/H [kW]	17 Degree COP	Region IV HSPF	AHRI#
RP1336AC	RCF3621STAM+RXMD-C04	34000 [10.0]	23900 [7.0]	10100 [3.0]	13.00	11.00	1150 [542.7]	36000 [10.6]	3.54	23600 [6.9]	2.50	7.7	8047870
RP1348AC	RCF4821STAM+RXMD-C04	45500 [13.3]	31200 [9.1]	14300 [4.2]	13.00	10.50	1375 [648.9]	48000 [14.1]	3.54	32000 [9.4]	2.60	7.7	8047899
	RCF4824STAM+RXMD-C04	45500 [13.3]	31200 [9.1]	14300 [4.2]	13.00	10.50	1375 [648.9]	47500 [13.9]	3.54	31600 [9.3]	2.60	7.7	8047935

[] Designates Metric Conversions



Air

Performance Data
RP13 Series

Performance Data @ AHRI Standard Conditions – Heat Pump (con't.)

R801T: Classic Plus Single-Stage X-13 80% Furnace Ratings														
Outdoor Unit	Furnace	Indoor Coil	Total Capacity BTU/H [kW]	Net Sensible BTU/H [kW]	Net Latent BTU/H [kW]	SEER	EER	Indoor CFM [L/s]	47 Degree Heating Capacity BTU/H [kW]	47 Degree COP	17 Degree Heating Capacity BTU/H [kW]	17 Degree COP	Region IV HSPF	AHRI#
RP1336AC	R801TA050314MSA	RCF3617STAM	34800 [10.2]	25700 [7.5]	9100 [2.7]	13.50	11.50	1175 [554.5]	35200 [10.3]	3.60	22400 [6.6]	2.50	7.7	8047805
RP1336AC	R801TA075317ZSA	RCF3617STAM	34800 [10.2]	25800 [7.6]	9000 [2.6]	13.50	11.50	1200 [566.3]	35200 [10.3]	3.60	22600 [6.6]	2.50	7.7	8047806
RP1336AC	R801TA075417MSA	RCF3621STAM	35000 [10.3]	26000 [7.6]	9000 [2.6]	13.50	11.50	1200 [566.3]	35200 [10.3]	3.60	22600 [6.6]	2.50	7.7	8047828
RP1336AC	R801TA075421MSA	RCF3621STAM	35000 [10.3]	26000 [7.6]	9000 [2.6]	13.50	11.50	1225 [578.1]	35000 [10.3]	3.66	22600 [6.6]	2.50	7.7	8047807
RP1336AC	R801TA075521ZSA	RCF3621STAM	35000 [10.3]	25700 [7.5]	9300 [2.7]	13.50	11.50	1150 [542.7]	34800 [10.2]	3.70	22400 [6.6]	2.54	7.7	8047829
RP1336AC	R801TA100521ZSA	RCF3621STAM	35000 [10.3]	25900 [7.6]	9100 [2.7]	13.50	11.50	1175 [554.5]	35000 [10.3]	3.70	22400 [6.6]	2.54	7.7	8047830
RP1336AC	R801TA100521ZSA	RCF3621STAM	35000 [10.3]	25900 [7.6]	9100 [2.7]	13.50	11.50	1175 [554.5]	35000 [10.3]	3.66	22400 [6.6]	2.54	7.7	8047831
RP1336AC	R801TA100521ZSA	RCF3621STAM	35000 [10.3]	25900 [7.6]	9100 [2.7]	13.50	11.50	1175 [554.5]	35000 [10.3]	3.70	22400 [6.6]	2.54	7.7	8047832
RP1348AC	R801TA075417MSA	RCF4821STAM	47000 [13.8]	33600 [9.8]	13400 [3.9]	13.50	11.50	1375 [648.9]	45500 [13.3]	3.54	29600 [8.7]	2.54	7.7	8047875
RP1348AC	R801TA075421MSA	RCF4821STAM	47000 [13.8]	33700 [9.9]	13300 [3.9]	13.50	11.50	1400 [660.7]	45500 [13.3]	3.60	29600 [8.7]	2.54	7.7	8047876
RP1348AC	R801TA075521ZSA	RCF4824STAM	47000 [13.8]	33700 [9.9]	13300 [3.9]	13.50	11.50	1400 [660.7]	45500 [13.3]	3.60	29600 [8.7]	2.54	7.7	8047900
RP1348AC	R801TA100521ZSA	RCF4821STAM	47000 [13.8]	33700 [9.9]	13300 [3.9]	13.50	11.50	1400 [660.7]	46000 [13.5]	3.60	29800 [8.7]	2.54	7.7	8047877
RP1348AC	R801TA100521ZSA	RCF4824STAM	47000 [13.8]	33600 [9.8]	13400 [3.9]	13.50	11.50	1400 [660.7]	46000 [13.5]	3.60	29800 [8.7]	2.54	7.7	8047901
RP1348AC	R801TA100521ZSA	RCF4821STAM	47000 [13.8]	33600 [9.8]	13400 [3.9]	13.50	11.50	1375 [648.9]	45500 [13.3]	3.66	29400 [8.6]	2.60	7.7	8047878
RP1348AC	R801TA125524ZSA	RCF4824STAM	47000 [13.8]	33600 [9.8]	13400 [3.9]	13.50	11.50	1375 [648.9]	45500 [13.3]	3.66	29400 [8.6]	2.60	7.7	8047902
RP1348AC	R801TA100521ZSA	RCF4821STAM	47000 [13.8]	33700 [9.9]	13300 [3.9]	13.50	11.50	1400 [660.7]	46000 [13.5]	3.60	29600 [8.7]	2.54	7.7	8047879
RP1348AC	R801TA125524ZSA	RCF4824STAM	47000 [13.8]	33700 [9.9]	13300 [3.9]	13.50	11.50	1400 [660.7]	46000 [13.5]	3.60	29600 [8.7]	2.54	7.7	8047903
RP1348AC	R801TA075421MSA	RCF4824STAM	47500 [13.9]	35700 [10.5]	11800 [3.5]	13.00	11.00	1625 [766.9]	46500 [13.6]	3.50	30600 [9.0]	2.54	7.7	8047905
RP1360AC	R801TA075421MSA	RCF6024HTAM	55500 [16.3]	38500 [11.3]	17000 [5.0]	13.50	11.00	1650 [778.7]	56500 [16.6]	3.70	35200 [10.3]	2.54	7.7	8047941
RP1360AC	R801TA075521ZSA	RCF6024STAM	55500 [16.3]	38500 [11.3]	17000 [5.0]	13.50	11.00	1650 [778.7]	56500 [16.6]	3.70	35200 [10.3]	2.54	7.7	8047963
RP1360AC	R801TA100521ZSA	RCF6024HTAM	55500 [16.3]	38900 [11.4]	16600 [4.9]	13.00	11.00	1700 [802.3]	57000 [16.7]	3.70	35800 [10.5]	2.54	7.7	8047942
RP1360AC	R801TA100521ZSA	RCF6024STAM	55500 [16.3]	38900 [11.4]	16600 [4.9]	13.00	11.00	1700 [802.3]	57000 [16.7]	3.70	35800 [10.5]	2.54	7.7	8047964
RP1360AC	R801TA125524ZSA	RCF6024HTAM	55500 [16.3]	38500 [11.3]	17000 [5.0]	13.50	11.50	1650 [778.7]	56000 [16.4]	3.76	35000 [10.3]	2.60	7.7	8047943
RP1360AC	R801TA125524ZSA	RCF6024STAM	55500 [16.3]	38500 [11.3]	17000 [5.0]	13.50	11.50	1650 [778.7]	56000 [16.4]	3.76	35000 [10.3]	2.60	7.7	8047965
RP1360AC	R801TA100521ZSA	RCF6024HTAM	55500 [16.3]	38900 [11.4]	16600 [4.9]	13.00	11.00	1700 [802.3]	57000 [16.7]	3.70	35800 [10.5]	2.54	7.7	8047944
RP1360AC	R801TA100521ZSA	RCF6024STAM	55500 [16.3]	38900 [11.4]	16600 [4.9]	13.00	11.00	1700 [802.3]	57000 [16.7]	3.70	35800 [10.5]	2.54	7.7	8047966
RP1360AC	R801TA125524ZSA	RCF6024HTAM	55500 [16.3]	38500 [11.3]	17000 [5.0]	13.50	11.50	1650 [778.7]	56000 [16.4]	3.76	35000 [10.3]	2.60	7.7	8047945
RP1360AC	R801TA125524ZSA	RCF6024STAM	55500 [16.3]	38500 [11.3]	17000 [5.0]	13.50	11.50	1650 [778.7]	56000 [16.4]	3.76	35000 [10.3]	2.60	7.7	8047967
RP1360AC	R801TA125524ZSA	RCF6024HTAM	55500 [16.3]	38700 [11.3]	16800 [4.9]	13.50	11.00	1675 [790.5]	56500 [16.6]	3.70	35400 [10.4]	2.54	7.7	8047946
RP1360AC	R801TA125524ZSA	RCF6024STAM	55500 [16.3]	38700 [11.3]	16800 [4.9]	13.50	11.00	1675 [790.5]	56500 [16.6]	3.70	35400 [10.4]	2.54	7.7	8047968

[] Designates Metric Conversions



Performance Data @ AHRI Standard Conditions – Heat Pump (con't.)

R802V: Prestige 2-Stage 80% ECM Furnace Ratings														
Outdoor Unit	Furnace	Indoor Coil	Total Capacity BTU/H [kW]	Net Sensible BTU/H [kW]	Net Latent BTU/H [kW]	SEER	EER	Indoor CFM [L/s]	47 Degree Heating Capacity BTU/H [kW]	47 Degree COP	17 Degree Heating Capacity BTU/H [kW]	17 Degree COP	Region IV HSPF	AHRI#
RP1336AC	R802VA050317MSA	RCF3617STAM	34400 [10.1]	25300 [7.4]	9100 [2.7]	13.00	11.00	1175 [554.5]	35200 [10.3]	3.50	22800 [6.7]	2.46	7.7	8047808
		RCF3621STAM	34600 [10.1]	25500 [7.5]	9100 [2.7]	13.00	11.00	1175 [554.5]	35000 [10.3]	3.54	22600 [6.6]	2.46	7.7	8047833
RP1336AC	R802VA075317MSA	RCF3617STAM	34800 [10.2]	25500 [7.5]	9300 [2.7]	13.50	11.50	1150 [542.7]	34600 [10.1]	3.60	22200 [6.5]	2.50	7.7	8047809
		RCF3621STAM	34800 [10.2]	25500 [7.5]	9300 [2.7]	13.50	11.50	1150 [542.7]	34400 [10.1]	3.66	22000 [6.4]	2.50	7.7	8047834
RP1336AC	R802VA075317ZSA	RCF3617STAM	34600 [10.1]	25100 [7.4]	9500 [2.8]	13.50	11.50	1100 [519.1]	34200 [10.0]	3.54	22000 [6.4]	2.46	7.7	8047810
		RCF3621STAM	34800 [10.2]	25800 [7.6]	9000 [2.6]	13.50	11.50	1200 [566.3]	35000 [10.3]	3.66	22600 [6.6]	2.50	7.7	8047835
RP1336AC	R802VA075421MSA	RCF3621STAM	35400 [10.4]	26600 [7.8]	8800 [2.6]	13.50	11.50	1250 [589.9]	34800 [10.2]	3.70	22400 [6.6]	2.54	7.7	8047836
		RCF3621STAM	35400 [10.4]	26800 [7.9]	8600 [2.5]	13.50	11.50	1300 [613.5]	35200 [10.3]	3.60	22600 [6.6]	2.50	7.7	8047837
RP1336AC	R802VA100521MSA	RCF3621STAM	36000 [10.6]	27700 [8.1]	8300 [2.4]	13.50	11.50	1350 [637.1]	34800 [10.2]	3.70	22400 [6.6]	2.54	7.7	8047838
		RCF3621STAM	35200 [10.3]	26200 [7.7]	9000 [2.6]	13.50	11.50	1200 [566.3]	34800 [10.2]	3.70	22400 [6.6]	2.54	7.7	8047839
RP1348AC	R802VA075421MSA	RCF4821STAM	47500 [13.9]	35600 [10.4]	11900 [3.5]	13.50	11.50	1600 [755.1]	46000 [13.5]	3.60	30200 [8.9]	2.54	7.7	8047880
		RCF4824STAM	47500 [13.9]	35600 [10.4]	11900 [3.5]	13.50	11.50	1600 [755.1]	46000 [13.5]	3.60	30200 [8.9]	2.54	7.7	8047906
RP1348AC	R802VA075421ZSA	RCF4821STAM	47000 [13.8]	34100 [10.0]	12900 [3.8]	13.50	11.00	1450 [684.3]	46000 [13.5]	3.54	30000 [8.8]	2.54	7.7	8047881
		RCF4824STAM	47000 [13.8]	34100 [10.0]	12900 [3.8]	13.50	11.00	1450 [684.3]	46000 [13.5]	3.54	30000 [8.8]	2.54	7.7	8047907
RP1348AC	R802VA100521MSA	RCF4821STAM	48000 [14.1]	35500 [10.4]	12500 [3.7]	13.50	11.50	1525 [719.7]	45500 [13.3]	3.66	29800 [8.7]	2.60	7.7	8047882
		RCF4824STAM	48000 [14.1]	35500 [10.4]	12500 [3.7]	13.50	11.50	1525 [719.7]	45500 [13.3]	3.66	29800 [8.7]	2.60	7.7	8047908
RP1348AC	R802VA100521ZSA	RCF4821STAM	47500 [13.9]	34900 [10.2]	12600 [3.7]	13.50	11.50	1500 [707.9]	46000 [13.5]	3.60	30200 [8.9]	2.60	7.7	8047883
		RCF4824STAM	47500 [13.9]	34900 [10.2]	12600 [3.7]	13.50	11.50	1500 [707.9]	46000 [13.5]	3.60	30200 [8.9]	2.60	7.7	8047909
RP1360AC	R802VA125524MSA	RCF4824STAM	48000 [14.1]	35900 [10.5]	12100 [3.5]	13.50	11.50	1575 [743.3]	46000 [13.5]	3.66	30000 [8.8]	2.60	7.7	8047910
		RCF4824STAM	47500 [13.9]	35000 [10.3]	12500 [3.7]	13.50	11.50	1525 [719.7]	46000 [13.5]	3.60	30200 [8.9]	2.60	7.7	8047911
RP1360AC	R802VA075421MSA	RCF6024HTAM	55500 [16.3]	39100 [11.5]	16400 [4.8]	13.00	11.00	1725 [814.1]	57000 [16.7]	3.70	35800 [10.5]	2.60	7.7	8047947
		RCF6024STAM	55500 [16.3]	39100 [11.5]	16400 [4.8]	13.00	11.00	1725 [814.1]	57000 [16.7]	3.70	35800 [10.5]	2.60	7.7	8047969
RP1360AC	R802VA075421ZSA	RCF6024HTAM	55500 [16.3]	39300 [11.5]	16200 [4.7]	13.00	10.50	1750 [825.9]	57500 [16.9]	3.66	36400 [10.7]	2.54	7.7	8047948
		RCF6024STAM	55500 [16.3]	39300 [11.5]	16200 [4.7]	13.00	10.50	1750 [825.9]	57500 [16.9]	3.66	36400 [10.7]	2.54	7.7	8047970
RP1360AC	R802VA100521MSA	RCF6024HTAM	56000 [16.4]	40000 [11.7]	16000 [4.7]	13.50	11.50	1775 [837.7]	57000 [16.7]	3.80	35800 [10.5]	2.66	7.7	8047949
		RCF6024STAM	56000 [16.4]	40000 [11.7]	16000 [4.7]	13.50	11.50	1775 [837.7]	57000 [16.7]	3.80	35800 [10.5]	2.66	7.7	8047971
RP1360AC	R802VA100521ZSA	RCF6024HTAM	56000 [16.4]	40200 [11.8]	15800 [4.6]	13.00	11.00	1800 [849.5]	57500 [16.9]	3.76	36400 [10.7]	2.60	7.7	8047950
		RCF6024STAM	56000 [16.4]	40200 [11.8]	15800 [4.6]	13.00	11.00	1800 [849.5]	57500 [16.9]	3.76	36400 [10.7]	2.60	7.7	8047972
RP1360AC	R802VA125524MSA	RCF6024HTAM	56000 [16.4]	40000 [11.7]	16000 [4.7]	13.50	11.50	1775 [837.7]	57000 [16.7]	3.80	35600 [10.4]	2.66	7.7	8047951
		RCF6024STAM	56000 [16.4]	40000 [11.7]	16000 [4.7]	13.50	11.50	1775 [837.7]	57000 [16.7]	3.80	35600 [10.4]	2.66	7.7	8047973
RP1360AC	R802VA125524ZSA	RCF6024HTAM	55500 [16.3]	39300 [11.5]	16200 [4.7]	13.00	11.00	1750 [825.9]	57000 [16.7]	3.70	36000 [10.6]	2.60	7.7	8047952
		RCF6024STAM	55500 [16.3]	39300 [11.5]	16200 [4.7]	13.00	11.00	1750 [825.9]	57000 [16.7]	3.70	36000 [10.6]	2.60	7.7	8047974

[] Designates Metric Conversions



Performance Data @ AHRI Standard Conditions – Heat Pump (con't.)

R95T: 95% AFUE single-stage Constant Torque Multipurpose Gas Furnace Ratings														
Outdoor Unit	Furnace	Indoor Coil	Total Capacity BTU/H [kW]	Net Sensible BTU/H [kW]	Net Latent BTU/H [kW]	SEER	EER	Indoor CFM [L/s]	47 Degree Heating Capacity BTU/H [kW]	47 Degree COP	17 Degree Heating Capacity BTU/H [kW]	17 Degree COP	Region IV HSPF	AHRI#
RP1336AC	R95TA0401317MSA	RCF3617STAM	34600 [10.1]	25200 [7.4]	9400 [2.8]	13.50	11.50	1125 [530.9]	34800 [10.2]	3.54	22200 [6.5]	2.46	7.7	8047811
		RCF3621STAM	34800 [10.2]	25500 [7.5]	9300 [2.7]	13.50	11.50	1150 [542.7]	35000 [10.3]	3.66	22400 [6.6]	2.50	7.7	8047840
RP1336AC	R95TA0601317MSA	RCF3617STAM	34400 [10.1]	25300 [7.4]	9100 [2.7]	13.00	11.00	1175 [554.5]	35400 [10.4]	3.54	23000 [6.7]	2.46	7.7	8047812
		RCF3621STAM	34600 [10.1]	25600 [7.5]	9000 [2.6]	13.00	11.00	1200 [566.3]	35400 [10.4]	3.54	23000 [6.7]	2.46	7.7	8047841
RP1336AC	R95TA0701317MSA	RCF3621STAM	34400 [10.1]	24900 [7.3]	9500 [2.8]	13.00	11.00	1100 [519.1]	34800 [10.2]	3.54	22400 [6.6]	2.46	7.7	8047842
		RCF4821STAM	46500 [13.6]	33400 [9.8]	13100 [3.8]	13.00	11.00	1425 [672.5]	46500 [13.6]	3.54	30400 [8.9]	2.54	7.7	8047884
RP1348AC	R95TA0851521MSA	RCF4824STAM	46500 [13.6]	33400 [9.8]	13100 [3.8]	13.00	11.00	1425 [672.5]	46500 [13.6]	3.54	30400 [8.9]	2.54	7.7	8047912
		RCF4821STAM	46500 [13.6]	33100 [9.7]	13400 [3.9]	13.50	11.00	1375 [648.9]	46000 [13.5]	3.60	29800 [8.7]	2.54	7.7	8047885
RP1348AC	R95TA1001521MSA	RCF4824STAM	46500 [13.6]	33100 [9.7]	13400 [3.9]	13.50	11.00	1375 [648.9]	46000 [13.5]	3.60	29800 [8.7]	2.54	7.7	8047913
		RCF4824STAM	47000 [13.8]	34700 [10.2]	12300 [3.6]	13.00	11.00	1550 [731.5]	46500 [13.6]	3.46	30800 [9.0]	2.50	7.7	8047914
RP1360AC	R95TA0851521MSA	RCF6024HTAM	55000 [16.1]	38000 [11.1]	17000 [5.0]	13.00	11.00	1650 [778.7]	57000 [16.7]	3.66	35800 [10.5]	2.50	7.7	8047953
		RCF6024STAM	55000 [16.1]	38000 [11.1]	17000 [5.0]	13.00	11.00	1650 [778.7]	57000 [16.7]	3.66	35800 [10.5]	2.50	7.7	8047975
RP1360AC	R95TA1001521MSA	RCF6024HTAM	55500 [16.3]	39100 [11.5]	16400 [4.8]	13.00	10.50	1725 [814.1]	57500 [16.9]	3.70	36200 [10.6]	2.54	7.7	8047954
		RCF6024STAM	55500 [16.3]	39100 [11.5]	16400 [4.8]	13.00	10.50	1725 [814.1]	57500 [16.9]	3.70	36200 [10.6]	2.54	7.7	8047976

[] Designates Metric Conversions

Performance Data @ AHRI Standard Conditions – Heat Pump (con't.)

R96V: 96% AFUE 2-stage Variable Speed Multiphase Gas Furnace Ratings														
Outdoor Unit	Furnace	Indoor Coil	Total Capacity BTU/H [kW]	Net Sensible BTU/H [kW]	Net Latent BTU/H [kW]	SEER	EER	Indoor CFM [L/s]	47 Degree Heating Capacity BTU/H [kW]	47 Degree COP	17 Degree Heating Capacity BTU/H [kW]	17 Degree COP	Region IV HSPF	AHRI#
RP1336AC	R96VA0402317MSA	RCF3617STAM	34600 [10.1]	25200 [7.4]	9400 [2.8]	13.50	11.50	1125 [530.9]	34600 [10.1]	3.54	22200 [6.5]	2.46	7.7	8047813
		RCF3621STAM	34600 [10.1]	25200 [7.4]	9400 [2.8]	13.50	11.50	1125 [530.9]	34400 [10.1]	3.54	22200 [6.5]	2.46	7.7	8047843
RP1336AC	R96VA0602317MSA	RCF3617STAM	34400 [10.1]	25000 [7.3]	9400 [2.8]	13.00	11.00	1125 [530.9]	34600 [10.1]	3.50	22400 [6.6]	2.40	7.7	8047814
		RCF3621STAM	34400 [10.1]	25000 [7.3]	9400 [2.8]	13.00	11.00	1125 [530.9]	34600 [10.1]	3.54	22200 [6.5]	2.46	7.7	8047844
RP1336AC	R96VA0702317MSA	RCF3617STAM	34600 [10.1]	25300 [7.4]	9300 [2.7]	13.00	11.00	1150 [542.7]	34800 [10.2]	3.54	22400 [6.6]	2.46	7.7	8047815
		RCF3621STAM	34600 [10.1]	25300 [7.4]	9300 [2.7]	13.50	11.50	1150 [542.7]	34600 [10.1]	3.60	22200 [6.5]	2.50	7.7	8047845
RP1336AC	R96VA0852521MSB	RCF3621STAM	35200 [10.3]	26500 [7.8]	8700 [2.5]	13.50	11.50	1275 [601.7]	35000 [10.3]	3.66	22600 [6.6]	2.50	7.7	8047846
		RCF3621STAM	34600 [10.1]	25100 [7.4]	9500 [2.8]	13.50	11.50	1100 [519.1]	34000 [10.0]	3.60	21800 [6.4]	2.50	7.7	8047847
RP1348AC	R96VA1002521MSA	RCF4821STAM	47500 [13.9]	35400 [10.4]	12100 [3.5]	13.00	11.00	1575 [743.3]	46500 [13.6]	3.54	30600 [9.0]	2.54	7.7	8047886
		RCF4824STAM	47500 [13.9]	35400 [10.4]	12100 [3.5]	13.00	11.00	1575 [743.3]	46500 [13.6]	3.54	30600 [9.0]	2.54	7.7	8047915
RP1348AC	R96VA1002521MSA	RCF4821STAM	47000 [13.8]	33700 [9.9]	13300 [3.9]	13.50	11.00	1400 [660.7]	45000 [13.2]	3.54	29600 [8.7]	2.54	7.7	8047887
		RCF4824STAM	47000 [13.8]	33700 [9.9]	13300 [3.9]	13.50	11.00	1400 [660.7]	45000 [13.2]	3.54	29600 [8.7]	2.54	7.7	8047916
RP1348AC	R96VA1152524MSA	RCF4824STAM	47500 [13.9]	35400 [10.4]	12100 [3.5]	13.50	11.50	1575 [743.3]	46000 [13.5]	3.60	30200 [8.9]	2.60	7.7	8047917
		RCF6024HTAM	55500 [16.3]	39100 [11.5]	16400 [4.8]	13.00	10.50	1725 [814.1]	57000 [16.7]	3.66	36200 [10.6]	2.54	7.7	8047955
RP1360AC	R96VA0852521MSB	RCF6024STAM	55500 [16.3]	39100 [11.5]	16400 [4.8]	13.00	10.50	1725 [814.1]	57000 [16.7]	3.66	36200 [10.6]	2.54	7.7	8047977
		RCF6024HTAM	55000 [16.1]	37800 [11.1]	17200 [5.0]	13.00	11.00	1625 [766.9]	56000 [16.4]	3.66	35200 [10.3]	2.54	7.7	8047956
RP1360AC	R96VA1002521MSA	RCF6024STAM	55000 [16.1]	37800 [11.1]	17200 [5.0]	13.00	11.00	1625 [766.9]	56000 [16.4]	3.66	35200 [10.3]	2.54	7.7	8047978
		RCF6024HTAM	55500 [16.3]	39100 [11.5]	16400 [4.8]	13.50	11.00	1725 [814.1]	56500 [16.6]	3.76	35600 [10.4]	2.60	7.7	8047957
RP1360AC	R96VA1152524MSA	RCF6024STAM	55500 [16.3]	39100 [11.5]	16400 [4.8]	13.50	11.00	1725 [814.1]	56500 [16.6]	3.76	35600 [10.4]	2.60	7.7	8047979

RHWB Hydronic Air Handler Ratings														
Outdoor Unit	Hydronic Air Handler	Indoor Coil	Total Capacity BTU/H [kW]	Net Sensible BTU/H [kW]	Net Latent BTU/H [kW]	SEER	EER	Indoor CFM [L/s]	47 Degree Heating Capacity BTU/H [kW]	47 Degree COP	17 Degree Heating Capacity BTU/H [kW]	17 Degree COP	Region IV HSPF	AHRI#
RP1336AC	RHWB-04WMMX36B	RCF3617STAM	34800 [10.2]	25500 [7.5]	9300 [2.7]	13.50	11.50	1150 [542.7]	35000 [10.3]	3.66	22400 [6.6]	2.50	7.7	8047822
		RCF3621STAM	34800 [10.2]	25500 [7.5]	9300 [2.7]	13.50	11.50	1150 [542.7]	35000 [10.3]	3.66	22600 [6.6]	2.54	7.7	8047862
RP1336AC	RHWB-06WMMX48B	RCF3617STAM	35000 [10.3]	26000 [7.6]	9000 [2.6]	13.50	11.50	1200 [566.3]	35200 [10.3]	3.60	22600 [6.6]	2.50	7.7	8047823
		RCF3621STAM	35000 [10.3]	26000 [7.6]	9000 [2.6]	13.50	11.50	1200 [566.3]	35200 [10.3]	3.60	22600 [6.6]	2.50	7.7	8047863
RP1348AC	RHWB-08WRX60B	RCF4824STAM	47500 [13.9]	35600 [10.4]	11900 [3.5]	13.50	11.50	1600 [755.1]	46500 [13.6]	3.54	30400 [8.9]	2.54	7.7	8047930
		RCF4824STAM	47500 [13.9]	34900 [10.2]	12600 [3.7]	13.50	11.50	1500 [707.9]	46000 [13.5]	3.66	29800 [8.7]	2.60	7.7	8047931
RP1360AC	RHWB-08WRX60B	RCF6024STAM	55500 [16.3]	38700 [11.3]	16800 [4.9]	13.50	11.50	1675 [790.5]	56500 [16.6]	3.76	35200 [10.3]	2.60	7.7	8047987
		RCF6024STAM	56000 [16.4]	39600 [11.6]	16400 [4.8]	13.50	11.50	1725 [814.1]	57000 [16.7]	3.80	35400 [10.4]	2.66	7.7	8047988

[] Designates Metric Conversions

GUIDE SPECIFICATIONS

General

System Description

Outdoor-mounted, air-cooled, split-system heat pump unit suitable for ground or rooftop installation. Unit consists of a hermetic compressor, composite basepan, an air-cooled coil, propeller-type condenser fan, suction and liquid line service valve, and a control box. Unit will discharge supply air upward as shown on contract drawings. Unit will be used in a refrigeration circuit to match up to a coil unit.

Quality Assurance

- Unit will be rated in accordance with the latest edition of AHRI Standard 210.
- Unit will be certified for capacity and efficiency, and listed in the latest AHRI directory.
- Unit construction will comply with latest edition of ANSI/ASHRAE and with NEC.
- Unit will be constructed in accordance with UL standards and will carry the UL label of approval. Unit will have c-UL-us approval.
- Unit cabinet will be capable of withstanding ASTM B117 1000-hr salt spray test.
- Air-cooled condenser coils will be leak tested at 150 psig and pressure tested at 550 psig.
- Unit constructed in ISO9001 approved facility.

Delivery, Storage, and Handling

- Unit will be shipped as single package only and is stored and handled per unit manufacturer's recommendations.

Warranty (for inclusion by specifying engineer) – U.S. and Canada only.

Products

Equipment

Factory assembled, single piece, air-cooled heat pump unit. Contained within the unit enclosure is all factory wiring, piping, controls, compressor, refrigerant charge R-410A, and special features required prior to field start-up.

Unit Cabinet

- Unit cabinet will be constructed of galvanized steel, bonderized, and coated with a powder coat paint.
- All units constructed with louver coil protection and corner post. Louver can be removed by removing one fastener per louver panel.

AIR-COOLED, SPLIT-SYSTEM HEAT PUMP

RP13

1-1/2 TO 5 NOMINAL TONS

Fans

- Condenser fan will be direct-drive propeller type, discharging air upward.
- Condenser fan motors will be totally enclosed, 1-phase type with class B insulation and permanently lubricated bearings. Shafts will be corrosion resistant.
- Fan blades will be statically and dynamically balanced.
- Condenser fan openings will be equipped with coated steel wire safety guards.

Compressor

- Compressor will be hermetically sealed.
- Compressor will be mounted on rubber vibration isolators.

Condenser Coil

- Condenser coil will be air cooled.
- Coil will be constructed of aluminum fins mechanically bonded to copper tubes.

Refrigeration Components

- Refrigeration circuit components will include liquid-line shutoff valve with sweat connections, vapor-line shutoff valve with sweat connections, system charge of R-410A refrigerant, and compressor oil.
- Unit will be equipped with filter drier for R-410A refrigerant for field installation.

Operating Characteristics

- The capacity of the unit will meet or exceed _____ Btuh at a suction temperature of _____ °F/°C. The power consumption at full load will not exceed _____ kW.
- Combination of the unit and the evaporator or fan coil unit will have a total net cooling capacity of _____ Btuh or greater at conditions of _____ CFM entering air temperature at the evaporator at _____ °F/°C wet bulb and _____ °F/°C dry bulb, and air entering the unit at _____ °F/°C.
- The system will have a SEER of _____ Btuh/watt or greater at DOE conditions.

Electrical Requirements

- Nominal unit electrical characteristics will be _____ v, single phase, 60 hz. The unit will be capable of satisfactory operation within voltage limits of _____ v to _____ v.
- Nominal unit electrical characteristics will be _____ v, three phase, 60 hz. The unit will be capable of satisfactory operation within voltage limits of _____ v to _____ v.
- Unit electrical power will be single point connection.
- Control circuit will be 24v.

Special Features

- Refer to section of this literature identifying accessories and descriptions for specific features and available enhancements.

GENERAL TERMS OF LIMITED WARRANTY*

Rheem will furnish a replacement for any part of this product which fails in normal use and service within the applicable period stated, in accordance with the terms of the limited warranty.

***For complete details of the Limited and Conditional Warranties, including applicable terms and conditions, contact your local contractor or the Manufacturer for a copy of the product warranty certificate.**

Conditional Parts
(Registration Required)Ten (10) Years



The new degree of comfort.™

In keeping with its policy of continuous progress and product improvement, Rheem reserves the right to make changes without notice.

Rheem Heating, Cooling & Water Heating • P.O. Box 17010
Fort Smith, Arkansas 72917 • www.rheem.com

Rheem Canada Ltd./Ltée • 125 Edgeware Road, Unit 1
Brampton, Ontario • L6Y 0P5



INTEGRATED HOME COMFORT

PRINTED IN U.S.A. 11/15 QG FORM NO. P11-808 REV. 1