

Wynford® Technical Specification

Decorative Tank Lever

YB5201

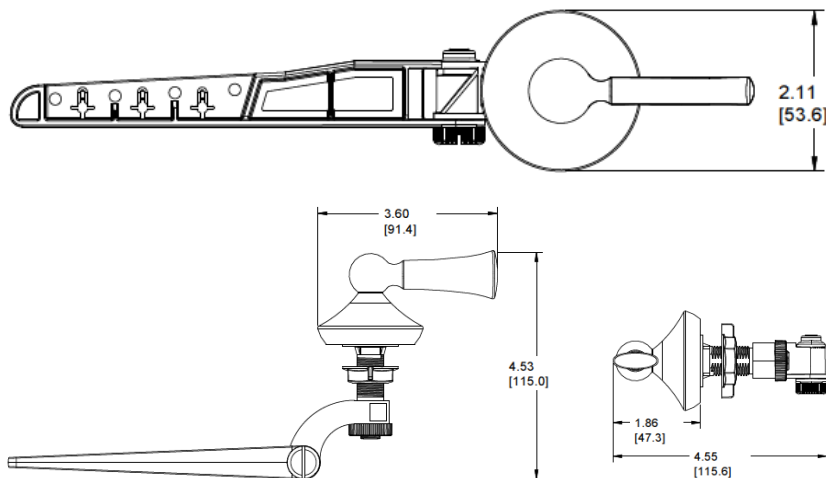
Stock Numbers:

- ❑ YB5201CH – Decorative Tank Lever
Chrome Finish
- ❑ YB5201BN – Decorative Tank Lever
Brushed Nickel Finish

Materials:

Tank Lever is constructed of zinc. The arm mechanism is constructed of plastic.

Dimensions:



Installation Instructions:

1. Remove existing tank lever.
2. Remove the arm mechanism from the new tank lever by loosening nut
3. Unscrew the tank nut. The thread for the tank nut is a left handed thread.
4. Position the new tank lever through the tank hole. The tank lever handle should be pointing away from the toilet bowl
5. Tighten nut. Depending on the curvature of the tank, there might be a slight gap between the outside of the tank and the base of the lever.
6. Place the arm mechanism on the tank lever post. Adjust the arm up or down as needed. Tighten nut to secure the arm in place.
7. Adjust the arm mechanism from side to side as needed. Make sure the arm does not come into contact with the tank w all or the flush mechanism. Tighten screw to lock the arm in place
8. Attach the flapper valve chain to one of the provided slots on the arm. Be sure to eliminate any slack in the chain.
9. Make sure no water is leaking through the flapper when the handle is in its normal position (not flushing)

Cleaning Instructions:

To preserve the fine finish of this product, clean only with a soft damp cloth. Dry well. Do not use commercial or abrasive cleaners.

Stock Number: YB5201 Decorative Tank Lever

 **MOEN**
Buy it for looks. Buy it for life.®

25300 AL MOEN DRIVE • NORTH OLMS TED, OH 44070
CORPORATE HEADQUARTERS: (800) 321-8809 • FAX: (800) 848-6636
INTERNATIONAL: (440) 962-2000 • FAX: (440) 962-2726
CUSTOMER SERVICE (USA): 800-882-0116 • FAX: (888) 379-2720
WWW.MOEN.COM
© 2014 Moen Incorporated. Moen is a registered trademark and Oxy is a trademark of Moen Incorporated. All rights reserved.