

SCALE .250

BILL OF MATERIAL (CURRENT LEVEL)

ITEM	PT/ASSY	DESCRIPTION	TYPE	QTY.
1	10326	BODY - FOR 933,934	PART	1
2	2-220	RISER ASM	ASSEMBLY	1
3	10442	SEAT FOR CARTRIDGE	PART	2
4	1-326	W/S CARTRIDGE FRICTION - HOT	PART	1
5	1-325	W/S CARTRIDGE FRICTION - COLD	PART	1
6	12066	HANDLE BONNET - TUB FILLER	PART	2
7	12062	ADAPTER - 20-T X 16-T	PART	2
8	91039	WSHR, .625 ID X 1.00 OD X .125 THK, RUBBER	PART	2
9	11965	NIPPLE 3/4 X 2.8"	PART	2
10	281	HANDSHOWER ASM	ASSEMBLY	1
11	284_	59 IN. SPIRAL SHOWER HOSE	ASSEMBLY	1
12	10327	SPOUT - FOR 933,934	PART	1
13	91028	O-RING, #2- 113, EPDM, 65-75 DURO, NSF 61	PART	1
14	1-076	CARTRIDGE DIVERTER ASM	ASSEMBLY	1
15	1-048	DIVERTER STOPPER ASM	ASSEMBLY	1
16	2-848	C/S HANDLE BAR ASM	ASSEMBLY	1
17	91020	O-RING, #2- 016, EPDM, 65-75 DURO, NSF 61	PART	2
18	10332	HEX NUT	PART	2
19	2-934	FLANGE ASM	ASSEMBLY	2
20	2-948	LEVER HANDLE ASSY	ASSEMBLY	2
21	92538	SCRW, M4X25 FLANGE BUTTON SOCKET HD CAP (MCC#92137A320)	PART	2
22	10159	HEX KEY TOOL, #10 3-32	PART	1

COPYRIGHT 2005 BRASSTECH, INC. THESE DRAWINGS AND THE DESIGNS DEPICTED HEREIN ARE THE PROPRIETARY PROPERTY OF BRASSTECH. ANY USE OR REPRODUCTION IS SUBJECT TO THE EXPRESS APPROVAL OF BRASSTECH. UNAUTHORIZED USE IS STRICTLY PROHIBITED. ALL RIGHTS RESERVED.

BRASSTECH
INCORPORATED
2001 CARNEGIE AVE.
SANTA ANA, CA 92705
(949) 417-5207

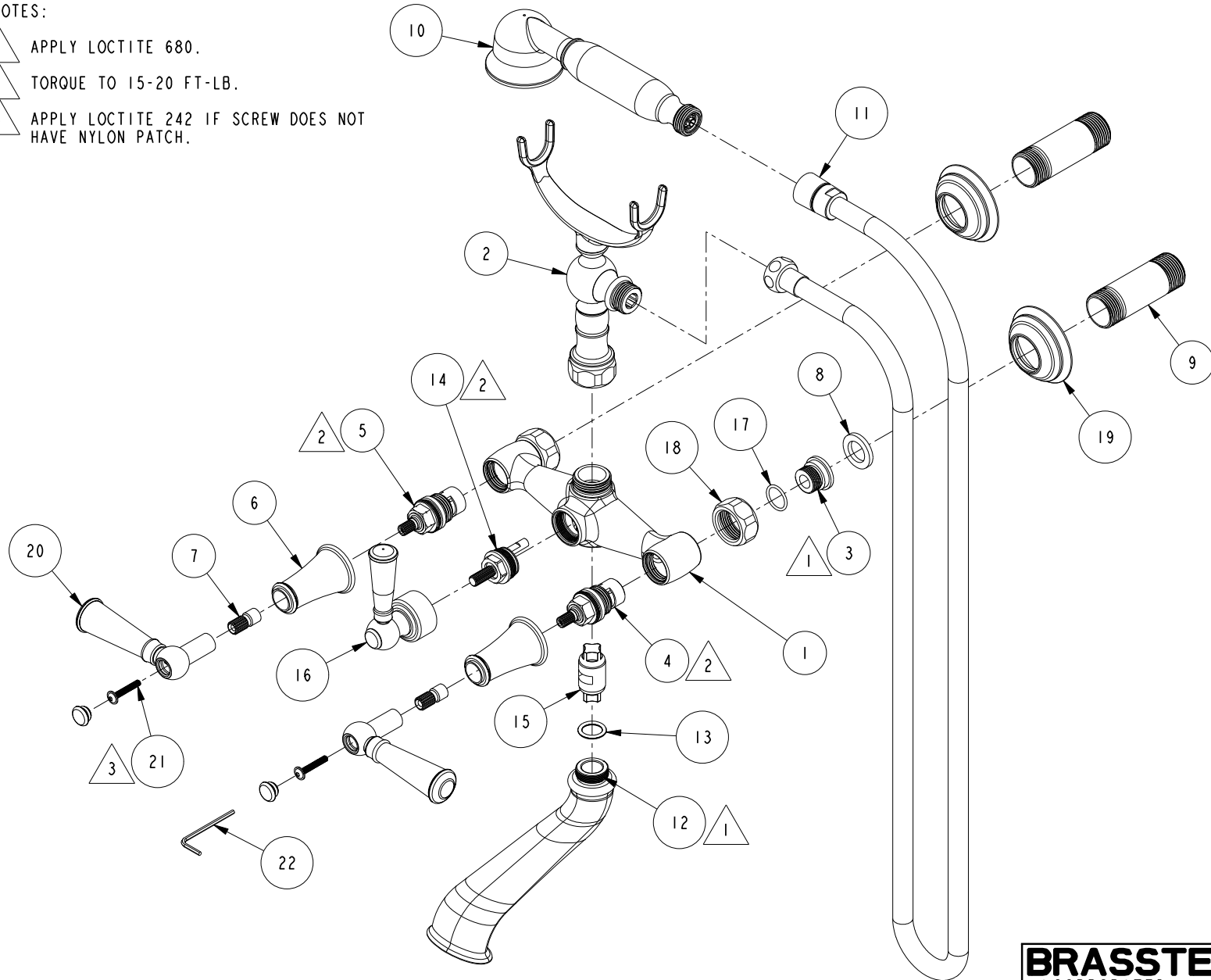
EXPOSED TUB/ HANDSHOWER, WALL
MOUNT - LEVER HANDLE

ASSY. NO.	2400-4283	-	-	-
SCALE .042	REF. -	SHEET 1 OF 3	REV	REV DESC
			EN-2606	04/14/14
			DATE	

SPECIFICATION DWG

NOTES:

- 1 APPLY LOCTITE 680.
- 2 TORQUE TO 15-20 FT-LB.
- 3 APPLY LOCTITE 242 IF SCREW DOES NOT HAVE NYLON PATCH.

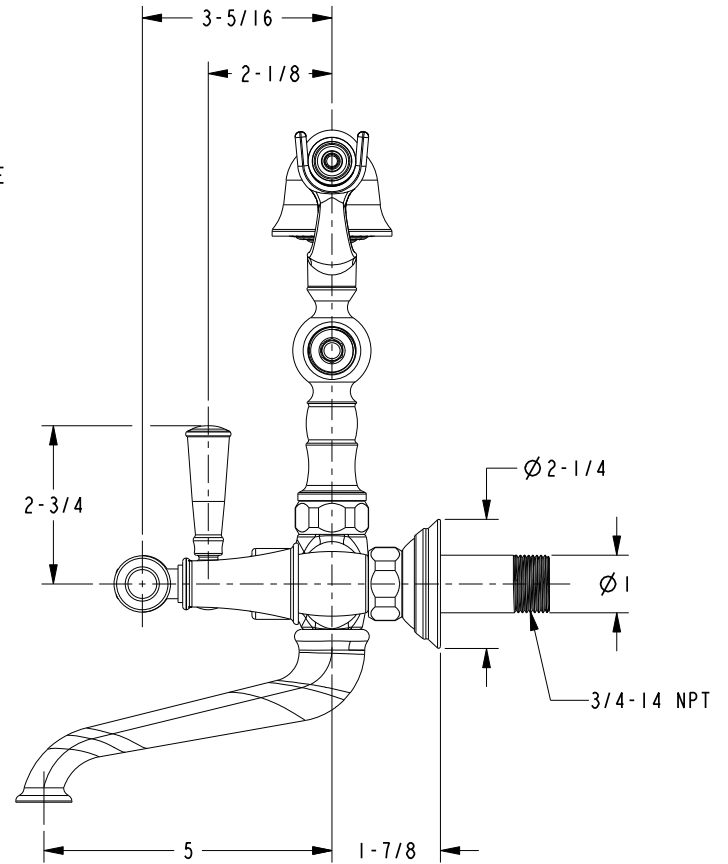
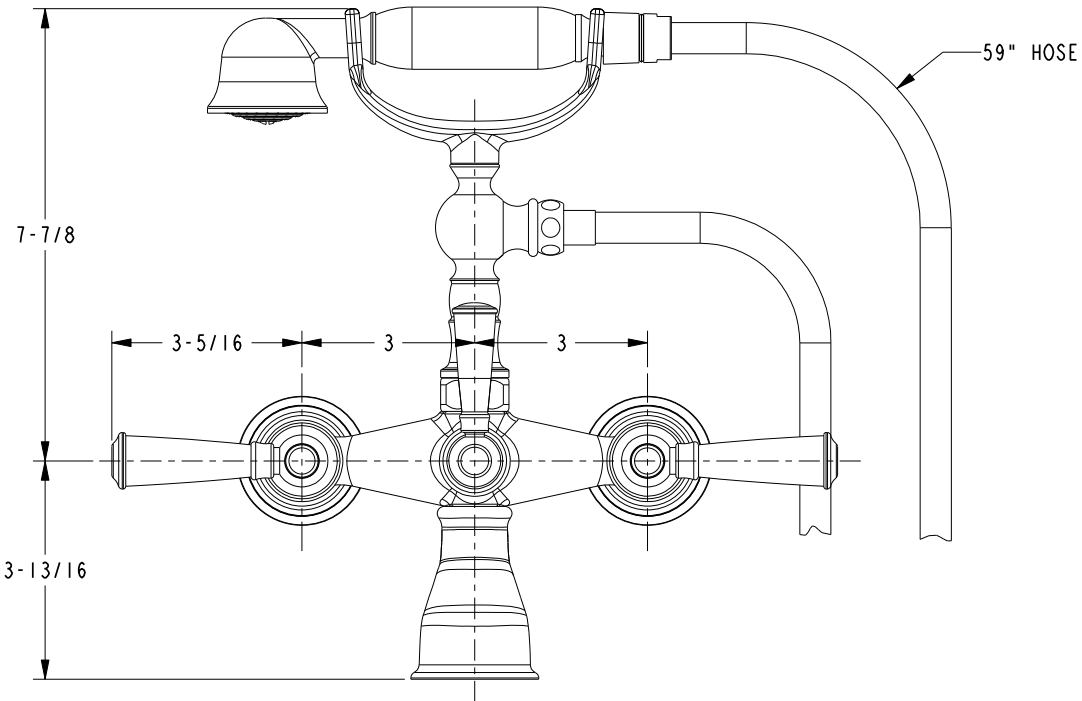


DIMENSIONS ARE IN INCHES AND AN APPROXIMATION OF A TYPICAL INSTALLATION

COPYRIGHT 2005 BRASSTECH, INC. THESE DRAWINGS AND THE DESIGNS DEPICTED HEREIN ARE THE PROPRIETARY PROPERTY OF BRASSTECH. ANY USE OR REPRODUCTION IS SUBJECT TO THE EXPRESS APPROVAL OF BRASSTECH. UNAUTHORIZED USE IS STRICTLY PROHIBITED. ALL RIGHTS RESERVED.

BRASSTECH		2001 CARNEGIE AVE.
INCORPORATED		SANTA ANA, CA 92705
		(949) 417-5207
DWG NO.	2400-4283	REV -
SCALE .250	REF. -	SHEET 2 OF 3

SPECIFICATION DWG



DIMENSIONS ARE IN INCHES AND AN APPROXIMATION OF A TYPICAL INSTALLATION

COPYRIGHT 2005 BRASSTECH, INC. THESE DRAWINGS AND THE DESIGNS DEPICTED HEREIN ARE THE PROPRIETARY PROPERTY OF BRASSTECH. ANY USE OR REPRODUCTION IS SUBJECT TO THE EXPRESS APPROVAL OF BRASSTECH. UNAUTHORIZED USE IS STRICTLY PROHIBITED. ALL RIGHTS RESERVED.

BRASSTECH		2001 CARNEGIE AVE.
INCORPORATED		SANTA ANA, CA 92705
		(949) 417-5207
DWG NO.	2400-4283	REV -
SCALE .300	REF. -	SHEET 3 OF 3