

U.S. TRADE PRICE LIST

#TPL-11-18-1



Information and Ordering:

Toll Free: 800-392-4902

713-692-1053 fax

info@trojanworldwide.com

WWW.TROJANWORLDWIDE.COM

Social Media:   

Prices Effective November 15, 2018

All Prices F.O.B. Factory and Subject to Change Without Notice

SECTION	PAGE
Adaptors	15
Anchors	13
Automatic Feed	10
Blades	11
Borescope	17
Cables	12-14
Camera Systems	16-17
Colt	8-9
Couplings	15
DC Colt	8-9
Drill Type Machines	10
Flush Bags	21
Hand Auger	21
Jetter Hose	20
Jetter Nozzles	20
Jettors - Cart	18
Jettors - Skid	18
Jettors - Trailer	19
Leaders	14
Locators	17
Pony	6-7
Special Tools	11
Stallion	4-5
Transmitters	17

STALLION



BASE MODEL AND PACKAGES

Part#	Description	Price
TR6600	Stallion Base Model includes: .66 dia. x 10' Anchor Cable	\$2,795.00
TR6666	Stallion Ready to Run Package includes: 1- Stallion Base Model with .66 dia. x 10' Anchor 3- .66 dia. x 50' Cables 1- .66 dia. x 2' Leader 1- Automatic Feed 1- Toolbox and Accessories *Total cable in package and drum capacity is 162' **Machine can turn up to 300' of cable	\$3,995.00
TR3400	Stallion Base Model includes: 3/4" x 10' Anchor Cable	\$2,795.00
TR3434	Stallion Ready to Run Package includes: 1- Stallion Base Model with 3/4" x 10' Anchor 2- 3/4" x 50' Cables 1- 3/4" x 2' Leader 1- Automatic Feed 1- Toolbox and Accessories *Total cable in package and drum capacity is 112' **Machine can turn up to 300' of cable	\$3,795.00

ACCESSORIES

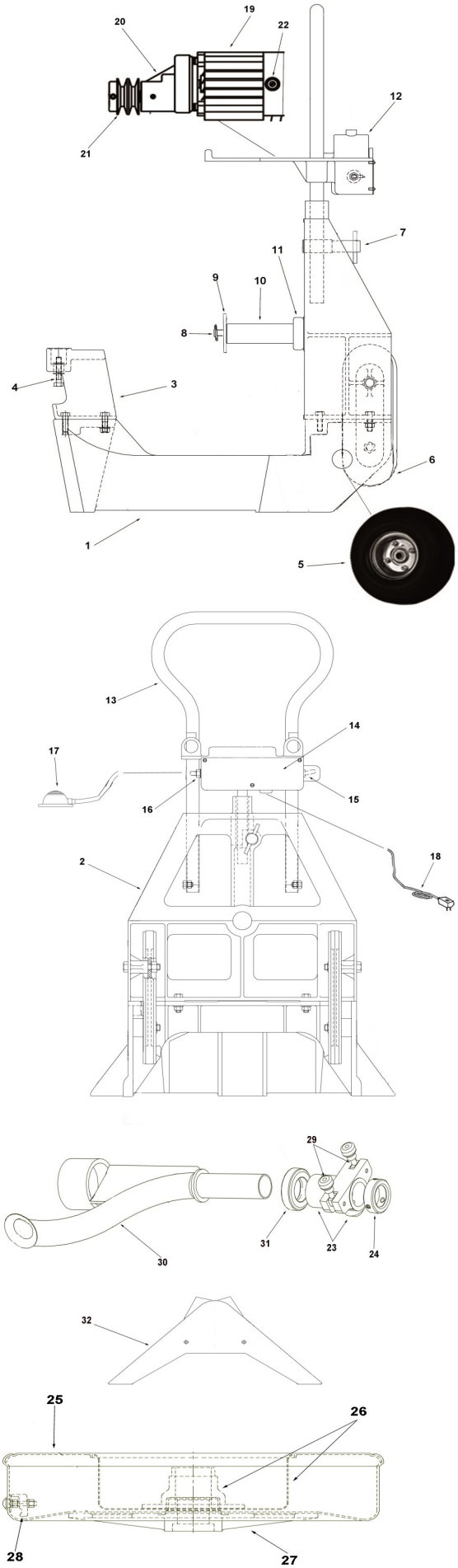
7168	EZ Lift Dolly	\$208.95
656	Automatic Feed	\$495.00
657	3/4" Toolbox and Accessories	\$279.95
667	.66 dia. Toolbox and Accessories	\$279.95

CABLES

8625	.66 dia. x 25' DW Cable	\$126.00	3410	3/4" x 110' aircraft wire core	\$429.00
8666	.66 dia. x 50' DW Cable	\$232.00	3025NC	3/4" x 25' no core	\$81.00
3025	3/4" x 25' aircraft wire core	\$116.00	3050NC	3/4" x 50' no core	\$179.00
3050	3/4" x 50' aircraft wire core	\$216.00	3075NC	3/4" x 75' no core	\$286.00
3075	3/4" x 75' aircraft wire core	\$314.00	3000NC	3/4" x 100' no core	\$376.00
3000	3/4" x 100' aircraft wire core	\$411.00	3410NC	3/4" x 110' no core	\$394.00

* See pages 11-14 for additional Cables and Blades

STALLION REPLACEMENT PARTS



Part#	Description	Ref No.	Price
6143JK	Heavy Duty Motor Cover	32	\$109.95
7001	Handle w / Bolts	13	\$49.95
7002	V- Belt		\$24.95
9954	Distributor Arm Bushing	23	\$119.00
7005	Set Collar	24	\$29.95
7013	Lower Casting	1	\$695.00
8695	10" Wheel	5	\$29.95
7021	External Drum	25	\$449.00
7022	External Drum & Hub	25, 27	\$669.00
7023	Internal Drum	26	\$179.95
7024	Cable Clamp Assembly	28	\$24.95
7027x	Stair Crawler	6	\$29.99
7035	Lock Assembly	7	\$42.99
7045	Distributor Arm	30	\$208.95
7050	Distributor Arm Bearing	31	\$29.95
7097	Outlet Box Cover	14	\$37.00
7098	Motor & Gear Case	19 thru 22	\$594.00
7760	Stallion™ Gear Case	20	\$295.00
7100	Pinion End Bracket		\$59.95
7109	Brush cap	22	\$4.95
7110	Brush Holder	22	\$19.95
7111	Brush	22	\$19.95
7129	3 - Way Switch	15	\$33.95
7719	Air Pressure Switch	16	\$33.95
7723	Electric GFI Cord	18	\$89.95
7731	Air Bubble & Tube	17	\$36.95
7741	Stallion, Pony, Colt Motor (Only)	19	\$299.00
7742	Motor Mount	12	\$349.00
7754	Armature		\$195.00
7117	Pulley	21	\$34.95
7025	Drum Hub Assembly	27	\$220.00
7777	Back Casting	2	\$449.00
7028	Main Shaft	10	\$49.95
7043X	Drum Washer	9	\$12.95
7154	Thumb Bolt	8	\$4.95
7007	Distributor Arm Bolt	4	\$2.45
7008	Upper Front Casting	3	\$149.95
7026	Rear Drum Bearing	11	\$34.95
9166X	Swing Bolt & Knob	29	\$19.95

PONY



BASE MODEL AND PACKAGES

Part#	Description	Price
TR5500	Pony Base Model includes: .55 dia. x 8' Anchor Cable	\$2,395.00
TR5555	Pony Ready to Run Package includes: 1- Pony Base Model with .55 dia. x 8' Anchor 2- .55 dia. x 50' Cables 1- .55 dia. x 2' Leader 1- Automatic Feed 1- Toolbox and Accessories *Total cable in package and drum capacity is 110' **Machine can turn up to 200' of cable	\$2,995.00
TR5800	Pony Base Model includes: 5/8" x 5' Anchor Cable	\$2,395.00
TR5858	Pony Ready to Run Package includes: 1- Pony Base Model with 5/8" x 5' Anchor 1- 5/8" x 75' Cable 1- 5/8" x 2' Leader 1- Automatic Feed 1- Toolbox and Accessories *Total cable in package and drum capacity is 82' **Machine can turn up to 200' of cable	\$2,795.00

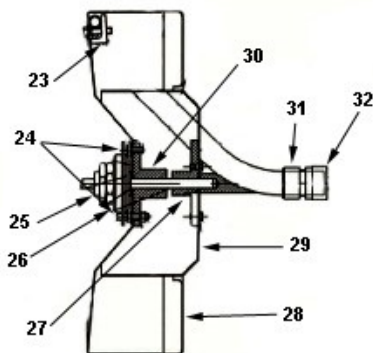
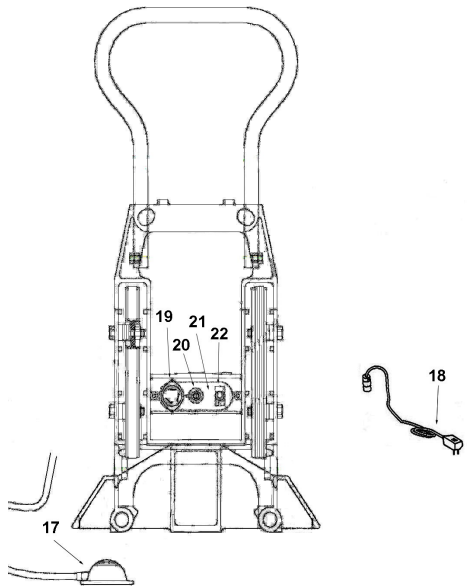
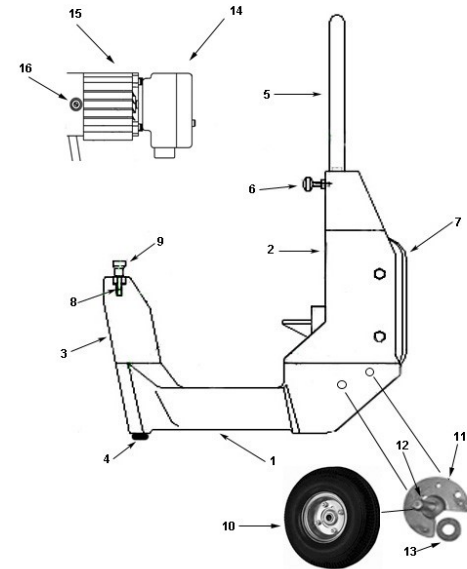
ACCESSORIES

7168P	Third Wheel Dolly	\$179.95
656	Automatic Feed	\$495.00
320	5/8" Toolbox and Accessories	\$279.95
321	.55 dia Toolbox and Accessories	\$279.95

CABLES

5053	.55 dia. x 25' DW Cable	\$107.00	5000	5/8" x 100' aircraft wire core	\$292.00
5051	.55 dia. x 50' DW Cable	\$205.00	5025NC	5/8" x 25' no core	\$88.00
5025	5/8" x 25' aircraft wire core	\$116.00	5050NC	5/8" x 50' no core	\$152.00
5050	5/8" x 50' aircraft wire core	\$178.00	5075NC	5/8" x 75' no core	\$223.00
5075	5/8" x 75' aircraft wire core	\$249.00	5000NC	5/8" x 100' no core	\$264.00

PONY REPLACEMENT PARTS



Part#	Description	Ref No.	Price
310	Drum Unit	28 thru 32	\$498.95
7001	Handle w/ Bolts	5	\$54.95
7017x	10" Wheel Adapter	11, 12, 13	\$42.95
8695	10" Wheel	10	\$29.95
7027x	Stair Crawler	7	\$29.95
7100	Pinion End Bracket		\$59.95
7109	Brush Cap	16	\$4.95
7110	Brush Holder	16	\$19.95
7111	Brush & Spring	16	\$19.95
7129	3 - Way Switch	22	\$33.95
7194	Outer Drum and Hub	28	\$299.00
7195	Clutch Assembly	26	\$99.00
7199	Clutch Hub	25	\$64.95
7201	Drive Stud	24	\$6.99
7205	Pony® Cable Clamp	23	\$19.99
7206	Drum Hub Assembly	30	\$49.99
7208	Drum Shaft Assembly	27	\$52.99
7211x	Inner Drum, Shaft, Bushing and Set Collar	27, 29, 31, 32	\$199.00
7213	Distributor Arm Bushing	31	\$26.95
7214	Set Collar	32	\$33.95
7218	Upper Front Casting	3	\$129.95
7220	Lower Casting	1	\$599.00
7222	Back Casting	2	\$399.00
7228	Outlet Box Cover	21	\$59.95
7233	Gear Case Assembly	14	\$319.95
7235	First Reduction Gear		\$109.00
7237	Second Reduction Gear		\$109.00
7266	Rear Drum Adapter		\$59.95
7267	Front Drum Adapter		\$59.95
7304	Base Bumper	4	\$5.99
7602	Motor and Gear Case Assembly	14, 15, 16	\$538.95
7741	Stallion, Pony, Colt Motor Only	15	\$299.00
7719	Air Pressure Switch	20	\$33.95
7722Q	Connector Body	19	\$29.95
7723	Electric GFI Cord	18	\$89.95
7731	Air Bubble and Tube	17	\$36.95
7754	Armature		\$195.00
7154	Thumb Bolt	6	\$4.95
9166X	Swing Bolt & Knob	8,9	\$19.95
7211	Internal Drum (Only)	29	\$143.99

COLT

AC Colt



DC Colt



Patent No. 7,676,879

Part#	Description	Price
TR1300	AC Colt Base Model includes: Power Unit, Drum Unit and Handle & Wheel Assembly	\$1,295.00

Part#	Description	Price
TR1300C	DC Colt Base Model includes: Power Unit, Drum Unit, Handle & Wheel Assembly, 24V Battery and Charger	\$1,295.00

ACCESSORIES

Part#	Description	Price
656	Automatic Feed	\$495.00
100xx	Toolbox and Accessories	\$55.95
8996	24V Smart Battery	\$199.00
8997	Battery Charger	\$99.00

CABLES

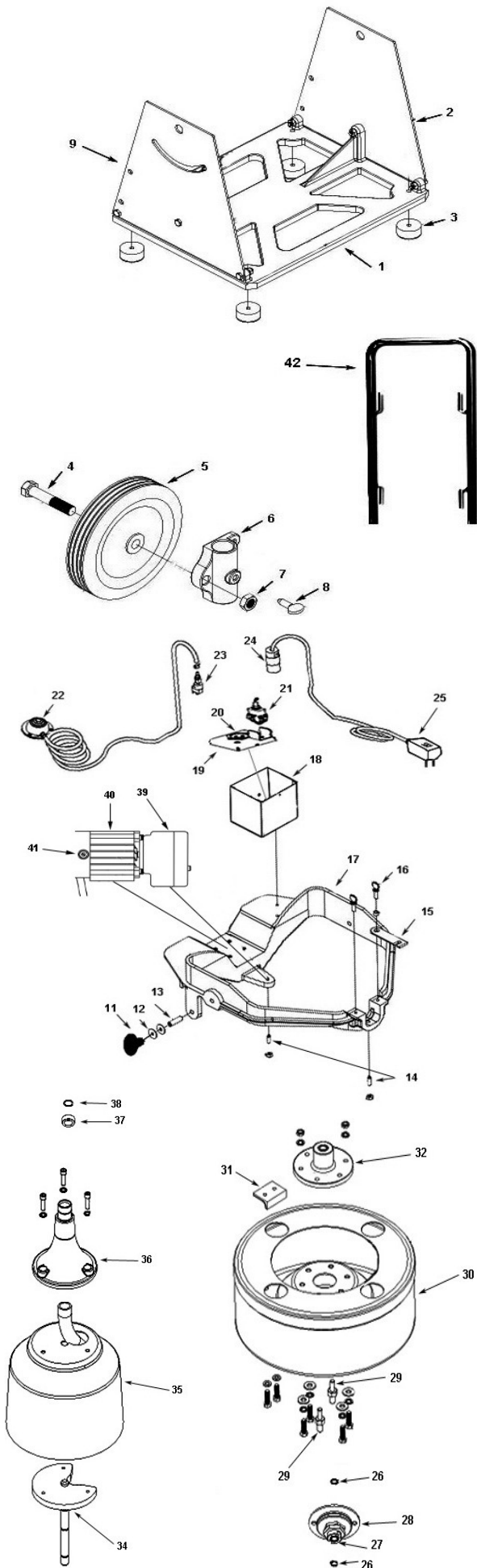
3/8" BULB HEAD CABLES		
3850NC	3/8" x 50' no core	\$117.00
3875NC	3/8" x 75' no core	\$166.00
3800NC	3/8" x 100' no core	\$241.00
3850	3/8" x 50' aircraft wire core	\$135.00
3875	3/8" x 75' aircraft wire core	\$184.00
3800	3/8" x 100' aircraft wire core	\$259.00
13/32" BULB HEAD CABLES		
2050NC	13/32" x 50' no core	\$135.00
2075NC	13/32" x 75' no core	\$194.00
2000NC	13/32" x 100' no core	\$226.00
2050	13/32" x 50' aircraft wire core	\$153.00
2075	13/32" x 75' aircraft wire core	\$212.00
2075	13/32" x 75' aircraft wire core	\$212.00
2000	13/32" x 100' aircraft wire core	\$244.00

1/2" BULB HEAD CABLES		
1150NC	1/2" x 50' no core	\$194.00
1175NC	1/2" x 75' no core	\$219.00
1100NC	1/2" x 100' no core	\$245.00
1150	1/2" x 50' aircraft wire core	\$212.00
1175	1/2" x 75' aircraft wire core	\$237.00
1100	1/2" x 100' aircraft wire core	\$263.00

TROJAN
WORLDWIDE INC.

* See pages 11-14 for additional Cables and Blades

COLT REPLACEMENT PARTS

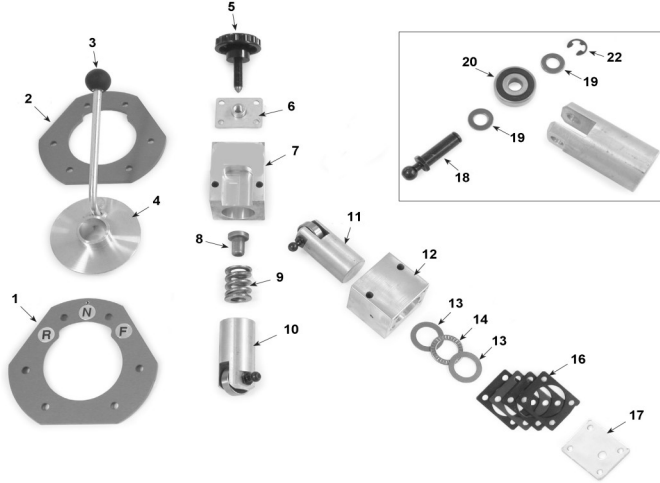


Part#	Description	Ref No.	Price
117	Colt™ Power Unit		\$799.95
102	Colt Drum Unit (Less Cable)		\$349.95
107	Handle and Wheel Assembly	42, 4, 5, 6, 7, 8	\$169.95
7109	Brush Cap	41	\$4.95
7110	Brush Holder	41	\$19.95
7111	Brush and Spring	41	\$19.95
7154	Thumb Screw	16	\$4.95
7172	Wheel	5	\$34.95
7196	1/2" Clutch	28	\$99.00
7199	Clutch Hub (Heat Treated)	27	\$69.00
7200	Retaining Ring (Small)	26	\$0.39
7239	2nd Reduction Gear		\$79.95
7240	1st Reduction Gear		\$79.95
7251	13/32" Clutch	28	\$99.00
7252	5/16" Clutch	28	\$99.00
7253	Outer Drum and Hub	30, 32	\$278.95
7254	Outer Drum	30	\$199.00
7206	Drum Hub Assembly	32	\$79.95
7256	Cable Clamp	31	\$19.99
7260x	Internal Drum	35	\$199.00
7261	End Bracket Assembly (Cone)	36	\$52.99
7262	Main Shaft	34	\$54.99
7264	Retaining Ring (Large)	38	\$0.38
7265	Bronze Bearing	37	\$16.95
7273	Gear Case Assembly	39	\$289.95
7275x	Outer Box Cover	19	\$49.95
7278	Outlet Box	18	\$49.95
7279	OBC w/ Connector Body, 3-way & Air Switch	19, 20, 21, 23	\$149.95
7292	Fiber Washer	12	\$0.49
7293	Rubber Side Knob	11	\$11.95
7294	Knob Screw	13	\$2.99
7299	Side Plate	9	\$55.95
7302	Base	1	\$149.00
7303	Base Assembly	1, 2, 3, 9	\$280.99
7304	Base Bumper	3	\$5.99
7312	3 Way Switch	21	\$33.95
7741	Stallion, Pony, Colt Motor (Only)	40	\$299.00
7313x	Motor and Gear Case	39, 40, 41	\$588.95
7334	Drive Gear		\$109.95
7336	Handle and Wheel Casting w/ Bolts	6, 8	\$59.95
7722Q	Connector Body	24	\$29.95
7723	Electric GFI Cord	25	\$89.95
7731	Air Bubble and Tube	22	\$36.95
7754	Armature		\$195.00
8024	Drive Stud	29	\$6.99
9160	Trunnion	17	\$299.00
7335	Handle with Hooks	42	\$69.95
7298	Set Screw	14	\$.55

AUTOMATIC FEED PARTS



Part#	Description	Ref No.	Price
656	Automatic Feed Assembly		\$495.00



7136	Feed Race	13	\$6.86
7137	Feed Block Short	12	\$49.95
7138	Feed Body Side (Side Plunger)	11	\$36.95
7139	Feed Front Plate	1	\$69.95
7140	Feed Knob and Screw	5	\$27.95
7141	Feed End Cap (Top)	6	\$24.95
7142	Feed Block Long	7	\$61.95
7143	Feed Ball and Bushing	8	\$14.95
7144	Feed Spring	9	\$23.95
7145	Acorn Nut		\$0.58
7147	Plastic Knob	3	\$6.95
7149	Feed End Cap	17	\$8.95
7157	Stationary Plate	16	\$9.95
7159	Feed Bolt (Long)		\$2.09
7160	Retaining Clip	22	\$0.37
7161	Feed Drive Pins	18	\$19.95
7163	Feed Body Top (Top Plunger)	10	\$40.95
7164	Feed Bearing Spacer	19	\$1.35
7165	Feed Bearing	20	\$8.99
7166	Feed Bolt (Short)		\$2.09
8430	Actuator Arm	4	\$89.95
7139B	Feed Back Plate	2	\$59.95
7162	Feed Mounting Plate		\$39.95
7219	Pony Bushing Lock		\$27.00

DRILL TYPE MACHINE (BATTERY)



Patent No. 7,676,879

Part#	Description	Price
DT18B	Drill Machine includes: (1)- 1/4" x 35' Open Hook Cable (2)-14V Batteries, (1)-Charger and Toolbox	\$395
DT15B	Drill Machine includes: (1)- 5/16" x 35' Open Hook Cable (2)-14V Batteries, (1)-Charger and Toolbox	\$395
8998	Drill Type Charger	\$69.95
8999	14V Battery	\$44.95
7169	Drill Type Feed Bearing	\$10.95

COUNTERTOP MACHINE



Part#	Description	Price
HC5165	Countertop Machine includes: Automatic Feed, Foot Pedal (1)- 5/16" x 35' Wire Core Cable (1)- Set of Blades and Accessories	\$895

BLADES AND SPECIAL TOOLS



Part#	Description	Price
For use with 1/4" and 5/16" Cables		
9113	3/4" Blade	\$5.95
9114	1" Blade	\$6.99
9121	Drop - Head	\$24.95
9107S	Spear Head—Small	\$16.95
7345	1/4" and 5/16" Bag of Parts	\$38.95



Part#	Description	Price
For use with 3/8" and 13/32" Cables		
9115	1" Blade	\$6.95
9116	1- 1/4" Blade	\$7.95
7348	Drop - Head	\$26.95
7347	Retriever Hook	\$7.95
9107S	Spear Head—Small	\$16.95
7350	3/8" and 13/32" Bag of Parts	\$39.95



Part#	Description	Price
For use with 1/2" Cables		
9117	1 - 1/2" Blade	\$6.95
9118	1 - 3/4" Blade	\$7.95
9119	2" Blade	\$8.95
9120	3" Blade	\$9.95
7355	Retriever Hook	\$7.95
7356	1/2" Bag of Parts	\$27.95



BLADE ADAPTORS		
Part#	Description	Price
C3838	3/8" and 13/32" R-Type Adaptor	\$21.95
C3838S	3/8" and 13/32" Slotted Adaptor	\$16.95
C1212	1/2" R-Type Adaptor	\$21.95
C1212S	1/2" Slotted Adaptor	\$16.95
8104	5/8", 11/16" and 3/4" Pin-Lock Double Male	\$10.99
8104G	5/8", 11/16" and 3/4" Slotted Double Male	\$14.95
8104	5/8", 11/16" and 3/4" R-Type Double Male	\$10.99
8104J	5/8", 11/16" and 3/4" Slip Joint Double Male	\$24.95
C5000	5/8", 11/16" and 3/4" R-Type Adaptor	\$25.95
8553	.55 dia. Double Male	\$10.99
8671	.66 dia. Double Male	\$10.99
CS5000	R-Type to Slotted Adaptor	\$25.95



Part#	Description	Price
For use with 5/8", 11/16", 3/4", .55 dia. and .66 dia. Cables		
9300	Small Blade Holder	\$12.95
9105	1-3/4" Blade	\$8.95
9109	2" Blade	\$7.95
9108	2 - 1/2" Blade	\$9.95



Part#	Description	Price
For use with 5/8", 11/16", 3/4", .55 dia. and .66 dia. Cables		
9200	Medium Blade Holder	\$14.95
9006	3" P-Trap Blade	\$9.95
9005	3 - 1/2" P-Trap Blade	\$10.95



Part#	Description	Price
For use with 5/8", 11/16", 3/4", .55 dia. and .66 dia. Cables		
9400	Large Blade Holder	\$15.95
9104	2" Large Blade	\$10.95
9112	3" Blade	\$10.95
9111	4" Blade	\$11.95
9110	6" Blade	\$12.95



9132	2" Grease Blade	\$16.95
9130	3" Grease Blade	\$17.95
9131	4" Grease Blade	\$18.95



9107	Spear Head	\$19.95
9106	3 - 1/2" Saw Tooth Blade	\$26.95
9404	Boring Tool	\$24.95
7186	Retriever	\$24.95



7184	Large Pin Punch	\$9.95
8672	Small Pin Punch	\$9.95
7185	T - Wrench	\$27.95
7183	Cable Coupling Stand	\$33.95
7192	Large Pin for 3/8", 13/32", 5/8" and 3/4"	\$.35
8663	Small Pin for .66 dia.	\$.35
8557	Small Pin for .55 dia.	\$.35

1/4" - 5/16" - 3/8" - 13/32" - 1/2" CABLES



OPEN HOOK CABLES		
Part#	Description	Price
4415NC	1/4" x 15' no core	\$12.00
4425NC	1/4" x 25' no core	\$29.00
4435NC	1/4" x 35' no core	\$41.00
4450NC	1/4" x 50' no core	\$53.00
4415	1/4" x 15' aircraft wire core	\$29.00
4425	1/4" x 25' aircraft wire core	\$47.00
4435	1/4" x 35' aircraft wire core	\$59.00
4450	1/4" x 50' aircraft wire core	\$71.00
6415NC	5/16" x 15' no core	\$26.00
6425NC	5/16" x 25' no core	\$38.00
6435NC	5/16" X 35' no core	\$56.00
6450NC	5/16" x 50' no core	\$76.00
6475NC	5/16" x 75' no core	\$102.00
6415	5/16" x 15' aircraft wire core	\$44.00
6425	5/16" x 25' aircraft wire core	\$53.00
6435	5/16" x 35' aircraft wire core	\$74.00
6450	5/16" x 50' aircraft wire core	\$81.00
6475	5/16" x 75' aircraft wire core	\$120.00

PERMANENT DROP HEAD CABLES		
Part#	Description	Price
4415DHNC	1/4" x 15' no core	\$16.00
4425DHNC	1/4" x 25' no core	\$33.00
4435DHNC	1/4" x 35' no core	\$45.00
4450DHNC	1/4" x 50' no core	\$57.00
4415DH	1/4" x 15' aircraft wire core	\$34.00
4425DH	1/4" x 25' aircraft wire core	\$51.00
4435DH	1/4" x 35' aircraft wire core	\$63.00
4450DH	1/4" x 50' aircraft wire core	\$75.00
6415DHNC	5/16" x 15' no core	\$29.00
6425DHNC	5/16" x 25' no core	\$41.00
6435DHNC	5/16" X 35' no core	\$59.00
6450DHNC	5/16" x 50' no core	\$79.00
6475DHNC	5/16" x 75' no core	\$106.00
6415DH	5/16" x 15' aircraft wire core	\$47.00
6425DH	5/16" x 25' aircraft wire core	\$57.00
6435DH	5/16" x 35' aircraft wire core	\$77.00
6450DH	5/16" x 50' aircraft wire core	\$84.00
6475DH	5/16" x 75' aircraft wire core	\$124.00



1/4" AND 5/16" BULB HEAD CABLES WITH #8 END

1425NC	1/4" x 25' no core	\$51.00
1435NC	1/4" x 35' no core	\$63.00
1450NC	1/4" x 50' no core	\$75.00
1475NC	1/4" x 75' no core	\$113.00
1400NC	1/4" x 100' no core	\$149.00
1425	1/4" x 25' aircraft wire core	\$59.00
1435	1/4" x 35' aircraft wire core	\$81.00
1450	1/4" x 50' aircraft wire core	\$93.00
1475	1/4" x 75' aircraft wire core	\$131.00
1400	1/4" x 100' aircraft wire core	\$167.00

6025NC	5/16" x 25' no core	\$74.00
6035NC	5/16" x 35' no core	\$93.00
6050NC	5/16" x 50' no core	\$126.00
6075NC	5/16" x 75' no core	\$176.00
6000NC	5/16" x 100' no core	\$220.00
6025	5/16" x 25' aircraft wire core	\$92.00
6035	5/16" x 35' aircraft wire core	\$119.00
6050	5/16" x 50' aircraft wire core	\$144.00
6075	5/16" x 75' aircraft wire core	\$194.00
6000	5/16" x 100' aircraft wire core	\$238.00



STRAIGHT CABLES WITH SLOTTED TYPE COUPLINGS

6025GNC	5/16" x 25' no core	\$74.00	3850GNC	3/8" x 50' no core	\$111.00	3250G	13/32" x 50' aircraft wire core	\$117.00
6035GNC	5/16" x 35' no core	\$93.00	3875GNC	3/8" x 75' no core	\$158.00	3275G	13/32" x 75' aircraft wire core	\$166.00
6050GNC	5/16" x 50' no core	\$126.00	3800GNC	3/8" x 100' no core	\$229.00	3200G	13/32" x 100' aircraft wire core	\$241.00
6075GNC	5/16" x 75' no core	\$176.00	3850G	3/8" x 50' aircraft wire core	\$128.00	1250GNC	1/2" x 50' no core	\$135.00
6000GNC	5/16" x 100' no core	\$220.00	3875G	3/8" x 75' aircraft wire core	\$175.00	1275GNC	1/2" x 75' no core	\$184.00
6025G	5/16" x 25' aircraft wire core	\$92.00	3800G	3/8" x 100' aircraft wire core	\$246.00	1200GNC	1/2" x 100' no core	\$259.00
6035G	5/16" x 35' aircraft wire core	\$119.00	3250GNC	13/32" x 50' no core	\$128.00	1250G	1/2" x 50' aircraft wire core	\$135.00
6050G	5/16" x 50' aircraft wire core	\$144.00	3275GNC	13/32" x 75' no core	\$184.00	1275G	1/2" x 75' aircraft wire core	\$194.00
6075G	5/16" x 75' aircraft wire core	\$194.00	3200GNC	13/32" x 100' no core	\$215.00	1200G	1/2" x 100' aircraft wire core	\$226.00
6000G	5/16" x 100' aircraft wire core	\$238.00						

3/8" - 13/32" - 1/2" CABLES

BULB HEAD CABLES #8		
Part#	Description	Price
3850NC	3/8" x 50' no core	\$117.00
3875NC	3/8" x 75' no core	\$166.00
3800NC	3/8" x 100' no core	\$241.00
3850	3/8" x 50' aircraft wire core	\$135.00
3875	3/8" x 75' aircraft wire core	\$184.00
3800	3/8" x 100' aircraft wire core	\$259.00
2050NC	13/32" x 50' no core	\$135.00
2075NC	13/32" x 75' no core	\$194.00
2000NC	13/32" x 100' no core	\$226.00
2050	13/32" x 50' aircraft wire core	\$153.00
2075	13/32" x 75' aircraft wire core	\$212.00
2000	13/32" x 100' aircraft wire core	\$244.00



STRAIGHT CABLES WITH THREADED TYPE COUPLINGS		
Part#	Description	Price
3850TNC	3/8" x 50' no core	\$117.00
3875TNC	3/8" x 75' no core	\$166.00
3800TNC	3/8" x 100' no core	\$241.00
3850T	3/8" x 50' aircraft wire core	\$135.00
3875T	3/8" x 75' aircraft wire core	\$184.00
3800T	3/8" x 100' aircraft wire core	\$259.00
3250TNC	13/32" x 50' no core	\$135.00
3275TNC	13/32" x 75' no core	\$194.00
3200TNC	13/32" x 100' no core	\$226.00
3250T	13/32" x 50' aircraft wire core	\$153.00
3275T	13/32" x 75' aircraft wire core	\$212.00
3200T	13/32" x 100' aircraft wire core	\$244.00
1250TNC	1/2" x 50' no core	\$194.00
1275TNC	1/2" x 75' no core	\$219.00
1200TNC	1/2" x 100' no core	\$245.00
1250T	1/2" x 50' aircraft wire core	\$212.00
1275T	1/2" x 75' aircraft wire core	\$237.00
1200T	1/2" x 100' aircraft wire core	\$263.00

BULB HEAD CABLES #6		
Part#	Description	Price
1150NC	1/2" x 50' no core	\$194.00
1175NC	1/2" x 75' no core	\$219.00
1100NC	1/2" x 100' no core	\$245.00
1150	1/2" x 50' aircraft wire core	\$212.00
1175	1/2" x 75' aircraft wire core	\$237.00
1100	1/2" x 100' aircraft wire core	\$263.00



BULB HEAD CABLES R-TYPE		
Part#	Description	Price
3850RNC	3/8" x 50' no core	\$117.00
3875RNC	3/8" x 75' no core	\$166.00
3800RNC	3/8" x 100' no core	\$241.00
3850R	3/8" x 50' aircraft wire core	\$135.00
3875R	3/8" x 75' aircraft wire core	\$184.00
3800R	3/8" x 100' aircraft wire core	\$259.00
1250RNC	1/2" x 50' no core	\$194.00
1275RNC	1/2" x 75' no core	\$219.00
1200RNC	1/2" x 100' no core	\$245.00
1250R	1/2" x 50' aircraft wire core	\$212.00
1275R	1/2" x 75' aircraft wire core	\$237.00
1200R	1/2" x 100' aircraft wire core	\$263.00



RIGHT HAND WOUND CABLES WITH SNAP-LOCK COUPLINGS		
Part#	Description	Price
3850MNC	3/8" x 50' no core	\$117.00
3875MNC	3/8" x 75' no core	\$166.00
3800MNC	3/8" x 100' no core	\$241.00
3850M	3/8" x 50' aircraft wire core	\$135.00
3875M	3/8" x 75' aircraft wire core	\$184.00
3800M	3/8" x 100' aircraft wire core	\$259.00
1250MNC	1/2" x 50' no core	\$194.00
1275MNC	1/2" x 75' no core	\$219.00
1200MNC	1/2" x 100' no core	\$245.00
1250M	1/2" x 50' aircraft wire core	\$212.00
1275M	1/2" x 75' aircraft wire core	\$237.00
1200M	1/2" x 100' aircraft wire core	\$263.00

5/8" - 11/16" - 3/4" CABLES



DESCRIPTION	PRICE	PIN-LOCK	SLOTTED	R-TYPE	SLIP JOINT	*SNAP LOCK
5/8" CABLES						
5/8" x 25' no core	\$88.00	5025NC	5025GNC	5025RNC	5025SJNC	*5025MNC
5/8" x 50' no core	\$152.00	5050NC	5050GNC	5050RNC	5050SJNC	*5050MNC
5/8" x 75' no core	\$223.00	5075NC	5075GNC	5075RNC	5075SJNC	*5075MNC
5/8" x 100' no core	\$264.00	5000NC	5000GNC	5000RNC	5000SJNC	*5000MNC
5/8" x 25' aircraft wire core	\$116.00	5025	5025G	5025R	5025SJ	*5025M
5/8" x 50' aircraft wire core	\$178.00	5050	5050G	5050R	5050SJ	*5050M
5/8" x 75' aircraft wire core	\$249.00	5075	5075G	5075R	5075SJ	*5075M
5/8" x 100' aircraft wire core	\$292.00	5000	5000G	5000R	5000SJ	*5000M
5/8" x 5' anchor	\$34.00	5005	5005G	5005R	5005SJ	*5005M
5/8" x 2' leader	\$29.00	5002	5002G	5002R	5002SJ	*5002M
11/16" CABLES						
11/16" x 50' no core	\$169.00	1650NC	1650GNC	1650RNC	1650SJNC	*1650MNC
11/16" x 100' no core	\$241.00	1600NC	1600GNC	1600RNC	1600SJNC	*1600MNC
11/16" x 110' no core	\$277.00	1610NC	1610GNC	1610RNC	1610SJNC	*1610MNC
11/16" x 120' no core	\$313.00	1612NC	1612GNC	1612RNC	1612SJNC	*1612MNC
11/16" x 150' no core	\$357.00	1615NC	1615GNC	1615RNC	1615SJNC	*1615MNC
11/16" x 50' aircraft wire core	\$187.00	1650	1650G	1650R	1650SJ	*1650M
11/16" x 100' aircraft wire core	\$259.00	1600	1600G	1600R	1600SJ	*1600M
11/16" x 110' aircraft wire core	\$295.00	1611	1611G	1611R	1611SJ	*1611M
11/16" x 120' aircraft wire core	\$331.00	1620	1620G	1620R	1620SJ	*1620M
11/16" x 150' aircraft wire core	\$384.00	1615	1615G	1615R	1615SJ	*1615M
11/16" x 5' anchor	\$34.00	1605	1605G	1605R	1605SJ	*1605M
11/16" x 10' anchor	\$38.00	1610	1610G	1610R	1610SJ	*1610M
11/16" x 2' leader	\$29.00	1602	1602G	1602R	1602SJ	*1602M
3/4" CABLES						
3/4" x 25' no core	\$81.00	3025NC	3025GNC	3025RNC	3025SJNC	*3025MNC
3/4" x 50' no core	\$179.00	3050NC	3050GNC	3050RNC	3050SJNC	*3050MNC
3/4" x 75' no core	\$286.00	3075NC	3075GNC	3075RNC	3075SJNC	*3075MNC
3/4" x 100' no core	\$376.00	3000NC	3000GNC	3000RNC	3000SJNC	*3000MNC
3/4" x 110' no core	\$394.00	3410NC	3410GNC	3410RNC	3410SJNC	*3410MNC
3/4" x 125' no core	\$438.00	3415NC	3415GNC	3415RNC	3415SJNC	*3415MNC
3/4" x 25' aircraft wire core	\$116.00	3025	3025G	3025R	3025SJ	*3025M
3/4" x 50' aircraft wire core	\$216.00	3050	3050G	3050R	3050SJ	*3050M
3/4" x 75' aircraft wire core	\$314.00	3075	3075G	3075R	3075SJ	*3075M
3/4" x 100' aircraft wire core	\$411.00	3000	3000G	3000R	3000SJ	*3000M
3/4" x 110' aircraft wire core	\$428.00	3410	3410G	3410R	3410SJ	*3410M
3/4" x 125' aircraft wire core	\$474.00	3415	3415G	3415R	3415SJ	*3415M
3/4" x 5' anchor	\$34.00	3005	3005G	3005R	3005SJ	*3005M
3/4" x 10' anchor	\$38.00	3010	3010G	3010R	3010SJ	*3010M
3/4" x 2' leader	\$29.00	3002	3002G	3002R	3002SJ	*3002M



.55 DIA. AND .66 DIA. DUAL WOUND CABLES		
Description	Price	Part#
.55 x 25' Dia. Dual Wound Cable	\$107.00	5053
.55 x 50' Dia. Dual Wound Cable	\$205.00	5051
.66 x 25' Dia. Dual Wound Cable	\$126.00	8625
.66 x 50' Dia. Dual Wound Cable	\$232.00	8666

.55 DIA. AND .66 DIA. ANCHORS AND LEADERS			
Description	Price	Part#	
.55 dia. x 8' anchor	\$41.00	5055	
.55 dia. x 2' leader	\$33.00	5052	
.66 dia. x 10' anchor	\$43.00	8665	
.66 dia. x 2' leader	\$35.00	8669	

**Please note all Cables with Snap Lock Couplings are Right Hand Wound*

COUPLINGS AND ADAPTORS

#8 END



#6 END



R-TYPE



BULB HEAD CABLE COUPLINGS		
Part#	Description	Price
9999	5/16" #8 end	\$8.79
8888	3/8" and 13/32" #8 end	\$8.79
8888R	3/8" and 13/32" R-Type end	\$15.99
6666	1/2" #6 end	\$8.79
8888	1/2" R-Type end	\$15.99



PIN-LOCK CABLE COUPLINGS		
Part#	Description	Price
8201	5/8" Pin-Lock Male	\$8.79
8200	5/8" Pin-Lock Female	\$8.79
8201	11/16" Pin-Lock Male	\$8.79
8200	11/16" Pin-Lock Female	\$8.79
8101	3/4" Pin-Lock Male	\$8.79
8100	3/4" Pin-Lock Female	\$8.79
8551	.55 dia. Male End	\$8.79
8552	.55 dia. Female End	\$8.79
8661	.66 dia. Male End	\$8.79
8662	.66 dia. Female End	\$8.79



SLOTTED CABLE COUPLINGS		
Part#	Description	Price
8888GM	3/8" AND 13/32" Slotted Male	\$8.79
8888G	3/8" and 13/32" Slotted Female	\$8.79
6666GM	1/2" Slotted Male	\$8.79
6666G	1/2" Slotted Female	\$8.79
6666GM	5/8" Slotted Male	\$8.79
6666G	5/8" Slotted Female	\$8.79
8101GM	3/4" Slotted Male	\$21.56
8100G	3/4" Slotted Female	\$21.56



R-TYPE CABLE COUPLINGS		
Part#	Description	Price
8201	5/8" R-Type Male	\$8.79
8200R	5/8" R-Type Female	\$31.96
8201	11/16" R-Type Male	\$8.79
8200R	11/16" R-Type Female	\$31.96
8101	3/4" R-Type Male	\$8.79
8100R	3/4" R-Type Female	\$39.96



SLIP JOINT CABLE COUPLINGS		
Part#	Description	Price
8201J	5/8" Slip-Joint End	\$10.39
8201J	11/16" Slip-Joint End	\$10.39
8201J	3/4" Slip-Joint End	\$10.39



SNAP LOCK CABLE COUPLINGS		
Part#	Description	Price
8888M	3/8" Marco Type Female	\$8.79
8888MM	3/8" Marco Type Male	\$7.99
6666M	1/2" and 5/8" Marco Type Female	\$8.39
6666MM	1/2" and 5/8" Marco Type Male	\$9.19
8100M	3/4" Marco Type Female	\$8.79
8101M	3/4" Marco Type Male	\$9.59



THREADED AND LONG MALE CABLE COUPLINGS		
Part#	Description	Price
8309	3/8" and 13/32" Threaded End	\$7.99
8310	1/2" Threaded End	\$8.79
8103	5/8" Threaded Male	\$8.79
7187	5/8" Threaded Female	\$8.79
8105	5/8" Long Male End	\$8.79
8103	11/16" Threaded Male	\$8.79
7187	11/16" Threaded Female	\$8.79
8103	3/4" Threaded Male	\$8.79
7187	3/4" Threaded Female	\$8.79
8108	3/4" Long Male End	\$8.79
8555	.55 Dia. Long Male End	\$8.79
8667	.66 Dia. Long Male End	\$8.79



SPLICERS AND REPAIR ENDS		
Part#	Description	Price
7343	1/4" Open Hook Replacement	\$18.36
7344	5/16" Open Hook Replacement	\$19.96
7346	5/16" Repair Bulb #8	\$19.96
8887	3/8" and 13/32" Splicer	\$7.99
7351	3/8" and 13/32" Repair Bulb #8	\$21.56
8889	1/2" Splicer	\$7.99
7357	1/2" Repair Bulb #6	\$23.16
8203	5/8" Hex Splicer	\$8.79
8203	11/16" Hex Splicer	\$8.79
8102	3/4" Hex Splicer	\$8.79
8554	.55 dia. Hex Splicer	\$10.36
8664	.66 dia. Hex Splicer	\$10.36

2017 TROJAN CAMERA SYSTEMS

The Trojan

C100-512SL



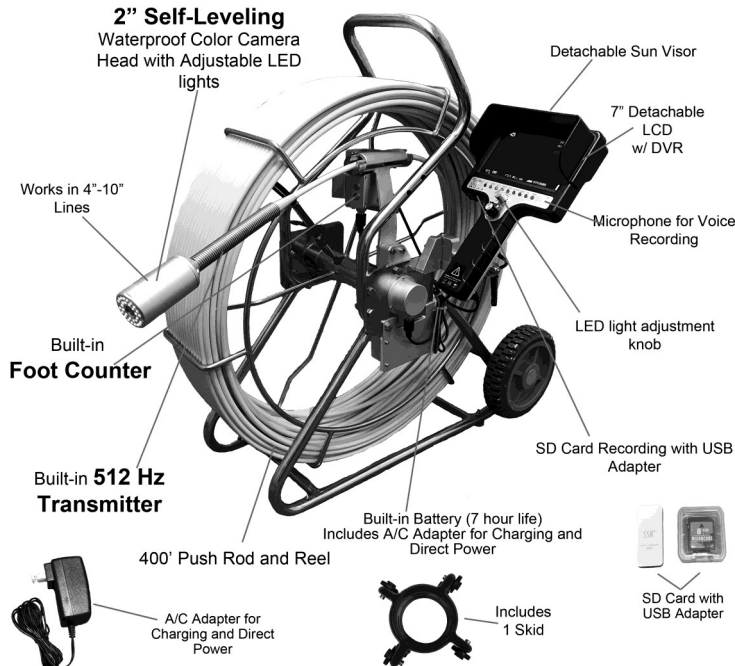
has it all



SELF LEVELING COLOR CAMERA SYSTEM		
Model #	Description	Price
C100-512SL	1" Self Leveling Color Camera System with Built in 512 Hz Transmitter, 7" LCD, DVR, Reel with 115' of Push Rod, Foot Counter, Microphone and Skids	\$2,295.00
PARTS FOR THE C100 CAMERA SYSTEM		
C100RFC	Reel (Only) with 115' of Push Rod, Battery and Foot Counter	\$550.00
CCD100SL	1" Self Leveling Color Camera Head and Spring w/ 512 Hz Transmitter	\$695.00
CS-H100	7" LCD Monitor w/ DVR and Microphone	\$595.00
C100-FRM	Foldable Frame for C100 Camera System	\$169.95
C100-CHAR	AC Adaptor for CS-H100 Monitor	\$24.95
C100-BATT	Battery for the CS-H100 Monitor	\$62.95
S112	1-1/2" Skid for C100 Camera Head	\$22.95
S103	3" Skid for C100 Camera Head	\$26.95



C400-DVRF



SELF LEVELING COLOR CAMERA SYSTEM		
Model #	Description	Price
C400-DVRF	2" Self Leveling Color Camera System with Built in 512 Hz Transmitter, 7" LCD, DVR, Reel with 400' of Push Rod, Foot Counter, Microphone and Skids	\$3,995.00
PARTS FOR THE C400 CAMERA SYSTEM		
C400RLM	Reel (Only) with 400' of Push Rod and Foot Counter	\$2,195.00
C400RTF	Reel w/ 400' Push Rod, Foot Counter, Self Leveling Head w/ Transmitter	\$3,490.00
CCD400	2" Self Leveling Color Camera for the C400	\$1,295.00
CS-H100	7" LCD Monitor w/ DVR and Microphone	\$595.00
C100-ADAP	AC Adaptor for CS-H100 Monitor	\$24.95
C100-BATT	Battery for the CS-H100 Monitor	\$62.95
S400	6" Skid for CCD400 Camera Head	\$39.95

MINI CAMERA SYSTEMS



C130-512

C130 Color Camera System

1-1/2" - 4" Lines

7/8" Stainless Steel Camera Head

7" or 10" LCD w/DVR

Built in Microphone for Voice Recording

Fiberglass Push Rod and Stainless Steel Reel

Remote Control for Monitor

Records to any USB Flash Drive (2GB Included)

AC and DC Powered

Optional: Built in 512 Hz Transmitter, Foot Counter and 10" LCD Screen



C130RS



C150-DVRT

C150 Color Camera System

3" - 6" Lines

7/8" Stainless Steel Camera Head with a

Built in 512 Hz Transmitter and Sapphire Lens

Control Station with 10" LCD and DVR

Built in Microphone for Voice Recording

Reel with 150' of Push Rod and Foot Counter

Remote Control for Monitor

Records to any USB Flash Drive (2GB Included)

Includes 1-1/2" and 3" Skids

AC and DC Powered

C130 CAMERA SYSTEMS

Model #	Description	Price
C65-DVR	Mini Color System with DVR, 65' Push Rod, Microphone and 7" LCD	\$1,495.00
C98-DVR	Mini Color System with DVR, 100' Push Rod, Microphone and 7" LCD	\$1,695.00
C130-DVR	Mini Color System with DVR, 130' Push Rod, Microphone and 7" LCD	\$1,895.00
C65-DVRSD	Same as C65-DVR plus Built in 512 Hz Transmitter	\$1,695.00
C98-DVRSD	Same as C98-DVR plus Built in 512 Hz Transmitter	\$1,895.00
C130-DVRSD	Same as C130-DVR plus Built in 512 Hz Transmitter	\$2,095.00
C130-512	Same as C130-DVR plus Built in 512 Hz Transmitter and 10" LCD Screen	\$2,395.00
C130-512F	Same as C130-512 plus Foot Counter	\$2,595.00

PARTS FOR THE C130 CAMERA SYSTEMS

C65R	Reel with 65' of Push Rod	\$295.00
C98R	Reel with 100' of Push Rod	\$395.00
C130R	Reel with 130' of Push Rod	\$495.00
C130RFC	Reel with 130' of Push Rod and Foot Counter	\$825.00
C130RS	Reel with 130' of Push Rod with 12mm Camera Head	\$835.00
CCD65	Mini Stainless Steel Color Camera Head	\$350.00
CCD130S	Mini Stainless Steel Color Camera Head with Built in 512 Hz Transmitter	\$650.00
CS-DVR	Control Station with 7"LCD, DVR, Microphone and Accessories	\$849.00
CS-MIC	Control Station with 10" LCD, DVR, Microphone and Accessories	\$1,149.00
CAMCORD	Reel to Control Station Connection Cable	\$34.95
CAMREMOTE	Remote Control for Control Station	\$39.95
ADAP	AC Adaptor for Control Station	\$29.95
CAMBAT	Battery for the Control Station	\$86.95
S982	1-1/2" Skid for C130 Camera Head	\$12.95
S983	3" Skid for C130 Camera Head	\$14.95
S985	3" Plastic Skid for C130 Camera Head	\$28.95

C150 CAMERA SYSTEM

Model #	Description	Price
C150-DVRT	Color Camera System with 7/8" Camera Head, 512 Hz Transmitter, 10" LCD, DVR, Reel with 150' of Push Rod, Foot Counter, Mic. and Skids	\$3,295.00
C200-DVRT	Color Camera System with 1-1/2" Self Leveling Head, 512 Hz Transmitter, 10" LCD, DVR, Reel with 200' of Push Rod, Foot Counter, Mic. and Skids	\$3995.00

PARTS FOR THE C150 CAMERA SYSTEM

C150R	Reel (Only) with 150' of Push Rod and Foot Counter	\$1,595.00
C150RT	Reel w/ 150' of Push Rod, Foot Counter, Camera Head w/ Transmitter	\$2,395.00
C200R	Reel (Only) with 200' of Push Rod, Foot Counter and Transmitter	\$1895.00
C200RT	Reel w/ 200' of Push Rod, Foot Counter, Camera Head and Transmitter	\$2895.00
CCD130S	Mini Stainless Steel Color Camera Head with Built in 512 Hz Transmitter	\$625.00
CS-MIC	Control Station with 10" LCD, DVR, Microphone and Accessories	\$1099.00
CAMCORD	Reel to Control Station Connection Cable	\$32.95
CAMREMOTE	Remote Control for Control Station	\$39.95
ADAP	AC Adaptor for Control Station	\$24.95
CAMBAT	Battery for the Control Station	\$79.95

Note: The Control Station will work with any size Trojan Camera Reel

****Watch the demonstration video at www.trojanworldwide.com****

CAMERA SYSTEMS AND LOCATING EQUIPMENT



Self-Leveling Color Camera System

4" - 8" Lines
 1-1/2" Self Leveling Camera Head Includes
 Stainless Spring with Built in 512 Hz Transmitter
 and Sapphire Lens
 200" Push Rod, Stainless Reel w/ Foot Counter
 Control Station with a 10" LCD and DVR
 Built in Microphone for Voice Recording
 Remote Control for Monitor
 Records to any USB Flash Drive (2GB Included)
 Includes 3 Skids: 3" - 4" - 6"



Self-Leveling Color Camera System

4" - 10" Lines
 1-1/2" Self Leveling Camera Head Includes
 Stainless Spring with Built in 512 Hz Transmitter
 and Sapphire Lens
 400" Push Rod, Stainless Reel w/ Foot Counter
 Control Station with a 10" LCD and DVR
 Built in Microphone for Voice Recording
 Remote Control for Monitor
 Records to any USB Flash Drive (2GB Included)
 Includes 3 Skids: 4" - 6" - 8"

SELF LEVELING COLOR CAMERA SYSTEM		
Model #	Description	Price
C190-DVRF	1-1/2" Self Leveling Color Camera System with Built in 512 Hz Transmitter, 10" LCD, DVR, Reel with 200' of Push Rod, Foot Counter, Microphone and Skids	\$3,895.00

PARTS FOR THE C190 CAMERA SYSTEM		
C190RLM	Reel (Only) with 200' of Push Rod and Foot Counter	\$2,795.00
C190RTF	Reel w/ 200' Push Rod, Foot Counter, Self Leveling Head w/ Transmitter	\$3,395.00
CCD190	1-1/2" Self Leveling Color Camera for the C190 and C380 Reel	\$1,295.00
SPC190T	Camera Head Spring with 512HZ Transmitter for the C190 & C380 Reel	\$395.00
SPC190	Flexible Camera Head Spring for the C190 & C380 Reel	\$125.00
CS-MIC	Control Station with 10" LCD, DVR, Microphone and Accessories	\$1149.00
CCDHA	Adaptor to connect the Mini Camera Head to the C190 or C380 Reel	\$59.00
CAMCORD	Reel to Control Station Connection Cable	\$34.95
CAMREMOTE	Remote Control for Control Station	\$39.95
ADAP	AC Adaptor for Control Station	\$29.95
CAMBAT	Battery for the Control Station	\$86.95

Note: The Control Station will work with any size Trojan Camera Reel
****Watch the demonstration video at www.trojanworldwide.com****

SELF LEVELING COLOR CAMERA SYSTEM		
Model #	Description	Price
C380-DVRT	1-1/2" Self Leveling Color Camera System with Built in 512 Hz Transmitter, 10" LCD, DVR, Reel with 400' of Push Rod, Foot Counter, Microphone and Skids	\$5,295.00

PARTS FOR THE C380 CAMERA SYSTEM		
C380RL	Reel (Only) with 400' of Push Rod and Foot Counter	\$3,995.00
C380RT	Reel w/ 400' Push Rod, Foot Counter, Self Leveling w/ Transmitter	\$4,495.00
CCD190	1-1/2" Self Leveling Color Camera for the C190 and C380 Reel	\$1,295.00
SPC190T	Camera Head Spring with 512HZ Transmitter for the C190 & C380 Reel	\$395.00
SPC190	Flexible Camera Head Spring for the C190 & C380 Reel	\$125.00
CCDHA	Adaptor to connect the Mini Camera Head to the C190 or C380 Reel	\$59.00
CS-MIC	Control Station with 10" LCD, DVR, Microphone and Accessories	\$1,149.00
CAMCORD	Reel to Control Station Connection Cable	\$34.95
CAMREMOTE	Remote Control for Control Station	\$39.95
ADAP	AC Adaptor for Control Station	\$29.95
CAMBAT	Battery for the Control Station	\$86.95



LOCATORS AND TRANSMITTERS		
RDA	Digital Locator 512 Hz and 82 Hz with Automatic Depth Finder	\$1,495.00
SD	Sonde Transmitter 512 Hz	\$349.00
TRANS	1W Transmitter with Alligator Clips and Ground Rod	\$985.00
WITRANS	Wifi Transmitter for use with Trojan Camera Reels	\$375.00
VB36	Video Borescope with Color Camera Head, 3' Flexible Shaft and DVR	\$325.00



PAN AND TILT CAMERA SYSTEMS



Self-Leveling Color Camera System

6" - 12" Lines

Pan and Tilt Camera Head Includes Stainless Steel Spring with Built in 512 Hz Transmitter 10" LCD w/ DVR

Built in Microphone for Voice Recording
400' Push Rod and Stainless Steel Reel
w/ Foot Counter

Remote Control for Monitor

Joystick Control Box for Operating the Pan & Tilt Camera Feature



Trojan Crawler Camera System

6"-20" Lines

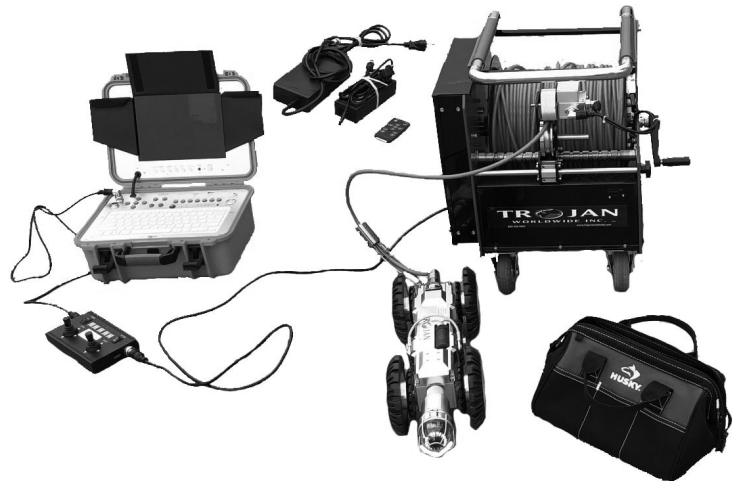
20'-65' Per Minute

Pan and Tilt 360/180 Color Camera Head
500' Cable and Reel with Foot Counter
Control Station w/ 10" LCD, DVR, Microphone
and Keyboard

Records to any USB Flash Drive (2GB Flash Drive Included)

Includes Skids

PAN AND TILT COLOR CAMERA SYSTEM		
Model #	Description	Price
C380-PAT	Pan and Tilt Color Camera System with Built in 512 Hz Transmitter, 10" LCD, DVR, Reel with 400' of Push Rod, Foot Counter, Control Box, Microphone and Skids	\$6,295.00
PARTS FOR THE C380-PAT CAMERA SYSTEM		
C380RL	Reel (Only) with 400' of Push Rod, Foot Counter and Transmitter	\$3,995.00
C380-PRT	Reel with 400' of Push Rod, Foot Counter, Transmitter, Pan & Tilt Head	\$5,395.00
CCD380PT	Pan and Tilt Color Camera Head	\$1,995.00
SPC380PAT	Camera Head Spring with 512HZ Transmitter for the Pan and Tilt System	\$425.00
CS-MIC	Control Station with 10" LCD, DVR, Microphone and Accessories	\$1149.00
CAMCORD	Reel to Control Station Connection Cable	\$34.95
CAMREMOTE	Remote Control for Control Station	\$39.95
ADAP	AC Adaptor for Control Station	\$29.95
CAMBAT	Battery for the Control Station	\$86.95
MLC-380PAT	Metal Lens Cover for the Pan & Tilt Camera Head	\$29.95
GLC-380PAT	Glass Lens Cover for the Pan & Tilt Camera Head	\$64.95



CRAWLER SYSTEM		
Model #	Description	Price
C1000	Crawler Color Camera with Built in 512 Hz Transmitter, 10" LCD, DVR, Reel with 500' of Cable, Foot Counter, Control Box, Microphone and Three Sets of Wheels for Different Pipe Sizes	\$10,995.00
PARTS FOR THE C380-PAT CAMERA SYSTEM		
CCD380PT	Pan and Tilt Color Camera Head	\$3,995.00
MLC-380PAT	Metal Lens Cover for the Pan & Tilt Camera Head	\$29.95
GLC-380PAT	Glass Lens Cover for the Pan & Tilt Camera Head	\$64.95
CAMCORD	Reel to Control Station Connection Cable	\$425.00
CAMREMOTE	Remote Control for Control Station	\$1149.00
ADAP	AC Adaptor for Control Station	\$34.95
CAMBAT	Battery for the Control Station	\$39.95

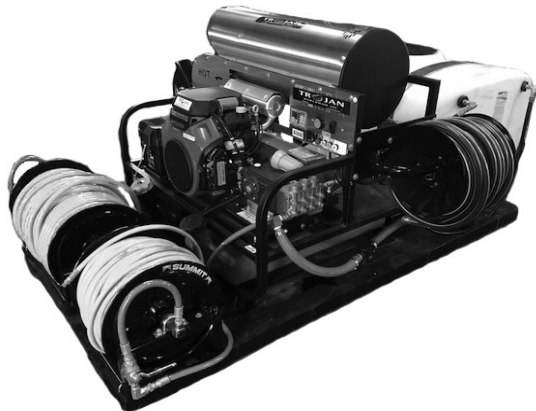
JETTING EQUIPMENT



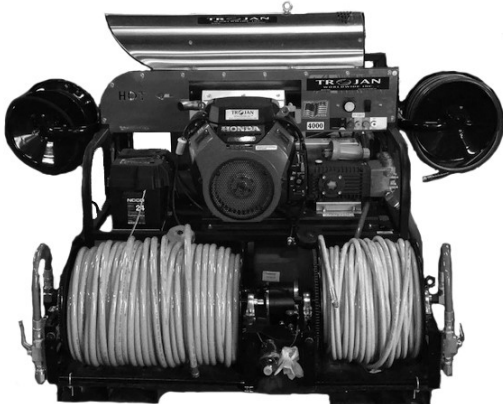
CART JETTER - ELECTRIC		
Model #	Description	Price
C1500	2 GPM @ 1500 PSI Hose Reel W/150' of 1/4" Jetter Hose General Pump with Selective Hydro - Pulse (Pulsation On Demand) Adjustable Pressure - 100 To 1500PSI 3 - Jetter Nozzles Pressure Washer Wand and Nozzles	\$2,599.00



CART JETTER - GAS		
C4000	13 HP Honda Engine with Electric Start and Battery 4 GPM @ 4000 PSI Hose Reel with 200' of 3/8" Jetter Hose 3 - Jetter Nozzles Pressure Washer Wand, 50' of Pressure Washer Hose and Nozzles	\$3,995.00
C4300	13 HP Honda Engine with Electric Start and Battery 4 GPM @ 4000 PSI Hose Reel with 300' of 3/8" Jetter Hose 3 - Jetter Nozzles Pressure Washer Wand, 50' of Pressure Washer Hose and Nozzles	\$4,295.00



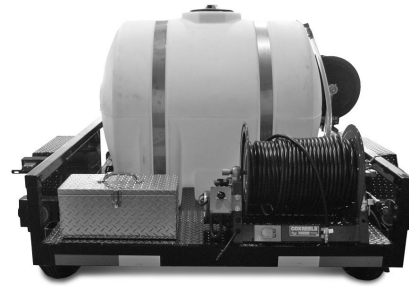
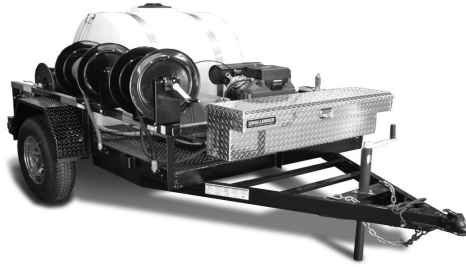
SKID MOUNT JETTERS		
TWWS3500	Rugged Powder Coated Steel, Low-Profile Frame with Fork Lift Channels 26 HP Honda GX690 Engine with Electric Start Beckett Burner with Stainless Coil Wrap, Hood, Control Panel, and Adjustable Thermostat Triplex Ceramic Plunger Pump 8GPM @ 3000PSI Regular and Diesel Gas Tanks 150 Gallon Water Tank with Transfer Pump 100' Fill Hose on Manual Reel 3/8" x 300' Jetter Hose with Automatic Reel 100' of Pressure Washer Hose on Manual Reel 3- 3/8" Jetter Nozzles • 3- 1/2" Jetter Nozzles Pressure Washer Wand with Quick Release, Nozzles, and Accessories 12 Volt Battery and Marine Battery Box Safety Pressure Relief Valve	\$10,995.00



TWWS4000	Rugged Powder Coated Steel, Low-Profile Frame with Fork Lift Channels 26 HP Honda GX690 Engine with Electric Start Beckett Burner with Stainless Coil Wrap, Hood, Control Panel, and Adjustable Thermostat Triplex Ceramic Plunger Pump 10GPM @ 3000PSI Regular and Diesel Gas Tanks 150 Gallon Water Tank with Transfer Pump 100' Fill Hose on Manual Reel 3/8" x 300' Jetter Hose with Automatic Reel 1/2" x 400' Jetter Hose with Automatic Reel 100' of Pressure Washer Hose on Manual Reel 3- 3/8" Jetter Nozzles • 3- 1/2" Jetter Nozzles Pressure Washer Wand with Quick Release, Nozzles, and Accessories 12 Volt Battery and Marine Battery Box Safety Pressure Relief Valve	\$11,995.00
----------	---	-------------

* See Page 20 for Jet Hose and Nozzles

JETTING EQUIPMENT



Trailer Jet - 3/8		
Part#	Description	Price
TWW2000	3000PSI @ 10 GPM 3500 LB Trailer (10' x 6') with Torsion Bar Suspension and Steel Diamond Plate Deck 29HP Kawasaki Liquid Cooled Engine, Rear Mounted Control Box that includes Ignition, Engine Lights and Pressure Gauges, Triplex Ceramic Plunger Pump, Battery, 10 Gallon Gas Tank, 225 Gallon Water Tank, Automatic Reel with 300' of 3/8" Jetter Hose, Manual Reel with 100' Fill Hose, Manual Reel with 100' of Pressure Washer Hose, Locking Diamond Plate Toolbox, 4 - Jetter Nozzles (Penetrator, Flusher, Spinner, Degreaser) Pressure Washer Wand and Nozzles	\$15,900.00
TWW3000	2200PSI @ 13 GPM 3500 LB Trailer (10' x 6') with Torsion Bar Suspension and Steel Diamond Plate Deck 31HP Kawasaki Liquid Cooled Engine, Rear Mounted Control Box that includes Ignition, Engine Lights and Pressure Gauges, Triplex Ceramic Plunger Pump, Battery, 10 Gallon Gas Tank, 225 Gallon Water Tank, PVC Hydrant Fill Pipe, Automatic Reel with 400' of 3/8" Jetter Hose, Manual Reel with 100' Fill Hose, Manual Reel with 100' of Pressure Washer Hose, Locking Diamond Plate Toolbox, 4 - Jetter Nozzles (Penetrator, Flusher, Spinner, Degreaser) Pressure Washer Wand and Nozzles	\$17,500.00
Trailer Jet - 1/2		
TWW2012	3000PSI @ 10 GPM 3500 LB Trailer (10' x 6') with Torsion Bar Suspension and Steel Diamond Plate Deck 29HP Kawasaki Liquid Cooled Engine, Rear Mounted Control Box that includes Ignition, Engine Lights and Pressure Gauges, Triplex Ceramic Plunger Pump, Battery, 10 Gallon Gas Tank, 225 Gallon Water Tank, Automatic Reel with 300' of 1/2" Jetter Hose, Manual Reel with 100' Fill Hose, Manual Reel with 100' of Pressure Washer Hose, Locking Diamond Plate Toolbox, 4 - Jetter Nozzles (Penetrator, Flusher, Spinner, Degreaser) Pressure Washer Wand and Nozzles	\$16,300.00
TWW3012	2200PSI @ 13 GPM 3500 LB Trailer (10' x 6') with Torsion Bar Suspension and Steel Diamond Plate Deck 31HP Kawasaki Liquid Cooled Engine, Rear Mounted Control Box that includes Ignition, Engine Lights and Pressure Gauges, Triplex Ceramic Plunger Pump, Battery, 10 Gallon Gas Tank, 225 Gallon Water Tank, PVC Hydrant Fill Pipe Automatic Reel with 400' of 1/2" Jetter Hose, Manual Reel with 100' Fill Hose, Manual Reel with 100' of Pressure Washer Hose, Locking Diamond Plate Toolbox, 4 - Jetter Nozzles (Penetrator, Flusher, Spinner, Degreaser) Pressure Washer Wand and Nozzles	\$17,900.00

**** All of our Trailer Jettors can be fully customized to suit your specific needs. Call one of our sales staff for a Personalized Quote ****

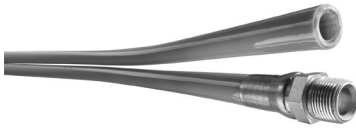
****Watch the demonstration video at www.trojanworldwide.com****



Dual Hose Trailer Jet - 3/8 and 1/2		
Part#	Description	Price
TWW2012-2	2200PSI @ 13 GPM 3500 LB Trailer (10' x 6') with Torsion Bar Suspension and Steel Diamond Plate Deck 31HP Kawasaki Liquid Cooled Engine, Rear Mounted Control Box that includes Ignition, Engine Lights and Pressure Gauges, Triplex Ceramic Plunger Pump, Battery, 10 Gallon Gas Tank, 225 Gallon Water Tank, Automatic Reel with 400' of 1/2" Jetter Hose, Automatic Reel with 300' of 3/8" Jetter Hose, Manual Reel with 100' Fill Hose, Manual Reel with 100' of Pressure Washer Hose, PVC Hydrant Fill Pipe, Locking Diamond Plate Toolbox, 4 - 3/8" and 4 - 1/2" Jetter Nozzles (Penetrator, Flusher, Spinner, Degreaser) Pressure Washer Wand and Nozzles	\$19,995.00

* See Page 20 for Jet Hose and Nozzles

JET HOSE AND NOZZLES



All of our hoses come equipped with a male pipe fitting on both ends unless specified otherwise.

Rated at 4000 PSI

Braided Synthetic Fiber Reinforcement with Seamless Polyester Inner Core

Other Sizes and Lengths Available upon Request

JET HOSE		
Part#	Description	Price
H1825	1/8" X 25'	\$64.95
H1850	1/8" X 50'	\$84.95
H1875	1/8" X 75'	\$104.95
H1810	1/8" X 100'	\$116.95
H1815	1/8" X 150'	\$168.95
H1450	1/4" x 50'	\$162.00
H1410	1/4" x 100'	\$228.00
H1415	1/4" x 150'	\$288.00
H1420	1/4" x 200'	\$354.00
H3810	3/8" x 100'	\$246.00
H3815	3/8" x 150'	\$330.00
H3820	3/8" x 200'	\$428.00
H3825	3/8" x 250'	\$505.00
H3830	3/8" x 300'	\$590.00
H1210	1/2" x 100'	\$344.00
H1215	1/2" x 150'	\$493.00
H1220	1/2" x 200'	\$628.00
H1225	1/2" x 250'	\$783.00
H1230	1/2" x 300'	\$928.00
H1240	1/2" x 400'	\$1,100.00



8 - 12 GPM @ 2000 - 4000 PSI

2 - 4 GPM @ 1500 - 4000 PSI

HIGH VOLUME SPINNER NOZZLES		
Part#	Description	Price
NS14	1/4" Spinner Nozzle	\$159.00
NS38	3/8" Spinner Nozzle	\$208.00
NS12	1/2" Spinner Nozzle	\$299.00
LOW VOLUME SPINNER NOZZLES		
Part#	Description	Price
NS14	1/4" Spinner Nozzle	\$41.95
NS38	3/8" Spinner Nozzle	\$49.95



All of our Nozzles are made from Stainless Steel and include a Forward Jet unless specified otherwise.

Please specify water pressure (PSI) and flow (GPM) when placing your order.

HIGH VOLUME JET NOZZLES		
Part#	Description	Price
N108	1/8" Penetrator	\$35.00
N107	1/8" Flusher	\$35.00
N104	1/4" Button Head 18°	\$49.50
N109	3/8" Button Head 30°	\$59.00
N105	3/8" Button Head 20°	\$59.00
N103	1/2" Button Head 20°	\$65.00
N144	1/2" Button Head 35°	\$65.00
N142	1/2" Elipse 25°	\$75.00
N141	3/4" Radial Short 30°	\$110.00
N141SV	3/4" Radial Long 20°	\$115.00
N143	3/4" Elipse 14°	\$119.00
N145	1" Radial Short 30°	\$113.00
N140	1" Radial Long 20°	\$120.00
N148	1" Button Head 30°	\$109.00
N146	1" Elipse 14°	\$125.00



HIGH VOLUME JET NOZZLES		
Part#	Description	Price
NAP108	1/8" Round Nose Nozzle	\$39.00
NAP104	1/4" Round Nose Nozzle	\$45.50
NAP105	3/8" Round Nose Nozzle	\$54.00
NAP109	3/8" Penetrating Hex Nozzle	\$58.00
NAP111	3/8" Degreaser Nozzle	\$64.00



NOZZLE KITS		
Part#	Description	Price
TR0250C	1/4" Nozzle Kit	\$219.00
TR0375C	3/8" Nozzle Kit	\$295.00

HAND AUGERS AND FLUSH BAGS



Open Hook End



Drop Head End



HAND AUGERS		
Part#	Description	Price
7517	3' Open Hook	\$42.00
7517DH	3' Drop Head	\$43.50
7519	6' Open Hook	\$58.60
7519DH	6' Drop Head	\$63.75
STAINLESS STEEL HAND AUGERS		
7517SS	3' Stainless Steel Open Hook	\$59.00
7517DHSS	3' Stainless Steel Drop Head	\$60.50
7519SS	6' Stainless Steel Open Hook	\$75.60
7519DHSS	6' Stainless Steel Drop Head	\$80.75

FLUSH BAGS		
Part#	Description	Price
7524	1-1/2" Flush Bag	\$57.40
7525	2" Flush Bag	\$63.70
7526	3" Flush Bag	\$87.00
7527	4" Flush Bag	\$87.90
7528	6" Flush Bag	\$128.00



TRUCK AND VAN ELECTRIC WINCH		
Part#	Description	Price
WINCH	Truck and Van Winch with Adjustable and Extendable Crane, 12V Electric Winch with Wireless Remote Control	\$795.00

TROJAN REPAIR CENTER



REPAIR CENTER

Our Repair Center works on All Brands of Sewer Cleaning Machines, Camera Systems and Drain Jetting Equipment. We provide a Free Quote before any work is done. Our Main Goal is to provide the fastest turnaround time possible while restoring your equipment to its proper working order. Contact one of our knowledgeable sales staff at 800-392-4902 to set up your appointment today!!

Inspection Cameras - All Brands

We Specialize in Repairing ALL BRANDS of Inspection Cameras

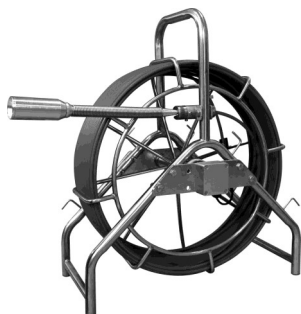
- Quick Turnaround Time - Free Quotes -
- Low Pricing on All Push Rod Repairs -

Some of the Repair Services Offered :

- Push Rod (Splice and Re-Connect)
- Camera Heads
- LCD Monitors
- DVR's
- Locators
- Counters

TROJAN
WORLDWIDE INC.

And All Other Components!!



ONE YEAR WARRANTY

Trojan Worldwide, Inc. warrants its equipment to be free from defects in material and workmanship for one year from the date of purchase, to the original buyer. To obtain warranty service, a purchaser should notify Trojan Worldwide, Inc. in writing, at the address provided below, within the warranty period, and Trojan Worldwide, Inc. will direct where to take or send the equipment for service. If the defect is covered by the warranty, Trojan Worldwide, Inc. will repair or replace, at its option, the defective equipment, without charge for labor and materials. (Freight and insurance are the purchaser's responsibility.)

This warranty is limited to the original retail purchaser and is not transferable. Trojan Worldwide, Inc. assumes no responsibility for damage due to accident, neglect, abuse, tampering or misuse, nor damage from repairs or alterations by others. This warranty does not cover damage to the equipment resulting from the use of replacement parts other than Trojan Worldwide, Inc. parts. This warranty does not apply to expendable items (cables and blades).

Trojan Worldwide, Inc.'s sole obligation and retail purchaser's exclusive remedy under this warranty shall be for repair or replacement as described above. ALL OTHER WARRANTIES, WHETHER EXPRESS OR IMPLIED, INCLUDING BUT NOT LIMITED TO IMPLIED WARRANTIES OF MERCHANTABILITY AND FITNESS FOR A PARTICULAR PURPOSE ARE DISCLAIMED. IN NO EVENT SHALL TROJAN WORLDWIDE, INC. BE LIABLE FOR ANY INCIDENTAL OR CONSEQUENTIAL DAMAGES.

TERMS OF SALE

Seller's Liability:

Seller will not be liable for any loss, damage, cost of repairs, incidental or consequential damages of any kind, whether based upon warranty, contract or negligence, arising in connection with the design, manufacture, sale, use or repair of the products or of the engineering designs supplied to the Buyer.

Agreements:

All agreements are subject to strikes, accidents or other causes beyond our control.

Shortages:

Any shortages should be made at the time of delivery to the carrier. No claims will be allowed if not written and received within 10 days of receipt of materials.

Claims:

All materials sent out will be carefully examined, counted and packed. Claims for goods damaged or lost in transit should be made on the carrier, as our responsibility ceases and the title passes.

Special Order:

Orders covering special or non-standard goods are not subject to cancellation except on such terms as we may specify on application.

Returns:

We cannot accept return of any goods unless our permission has been obtained, and credit is available subject to the following: A. All material on its arrival at our plant, must be found in first-class new condition. B. A final deduction of twenty-five percent will be made from all credit invoices issued for material returned. C. Transportation charges, if not prepaid, will be deducted from credit invoice.

Taxes:

The amount of sales, excise or other taxes, if any, applicable to the products covered by this order, shall be added to the purchase price and shall be paid by the Buyer unless Buyer provides Seller with an exemption certificate acceptable to the Taxing Authorities.

Terms:

Net 30 days from date of shipment with approval unless customer terms are COD. All prices are F.O.B. point of shipment. All weights are approximate.

Prices & Designs:

Prices and Designs are subject to change without notice and unless specifically stated on order, materials will be furnished of design in effect at the time the order is filled.

TROJAN
WORLDWIDE INC.

www.trojanworldwide.com

info@trojanworldwide.com

800-392-4902