



BRADFORD WHITE[®]
WATER HEATERS

REPLACEMENT PARTS LIST

**Residential & Light Duty Commercial Gas
Atmospheric Vent High Input Models**



“RG” & “LG” Models



Includes Hydrojet[®]
Total Performance System

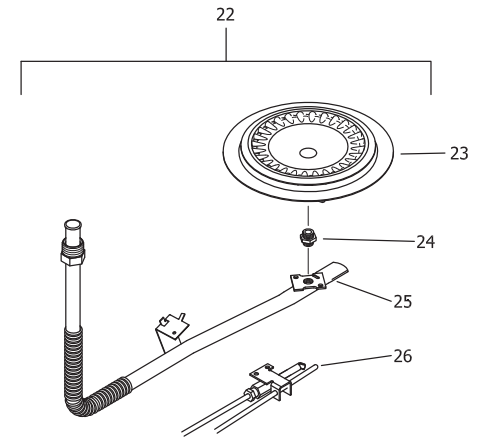
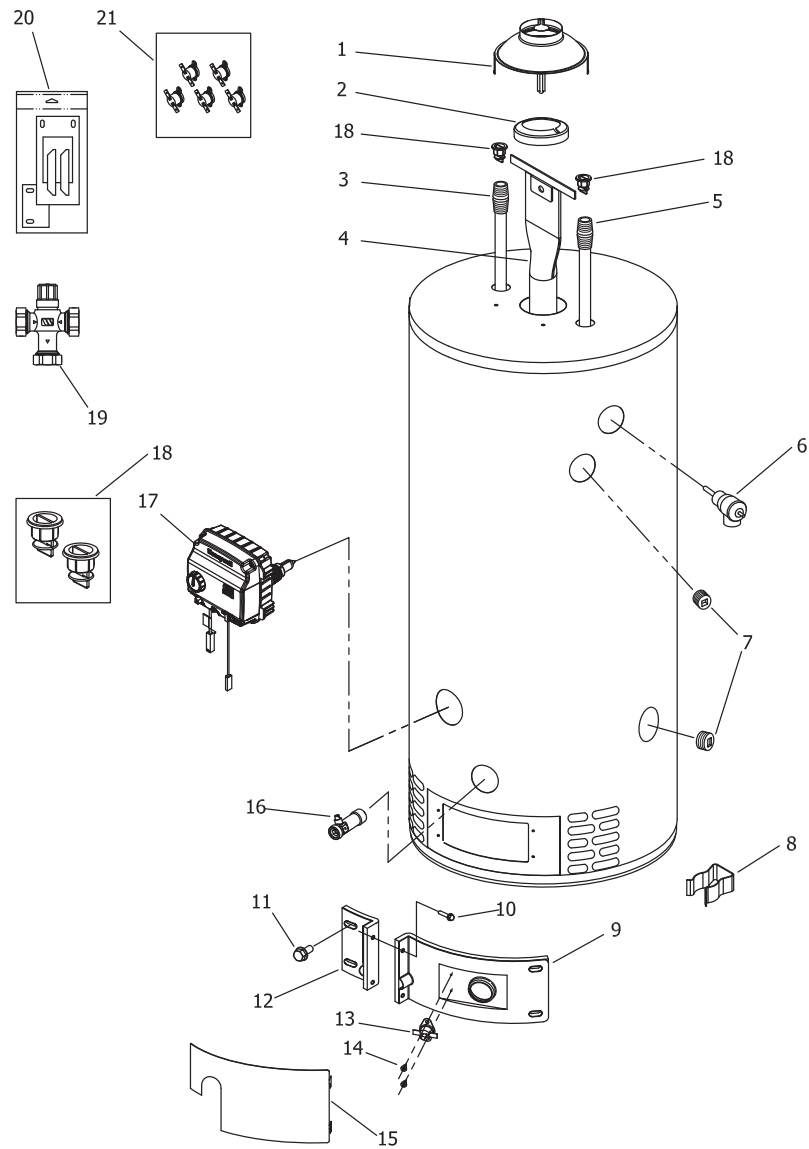
Effective: September, 2019
ECO 8129-1

**NOTE: BOTH MODEL AND SERIAL
NUMBERS ARE REQUIRED FOR
ORDERING REPLACEMENT PARTS**

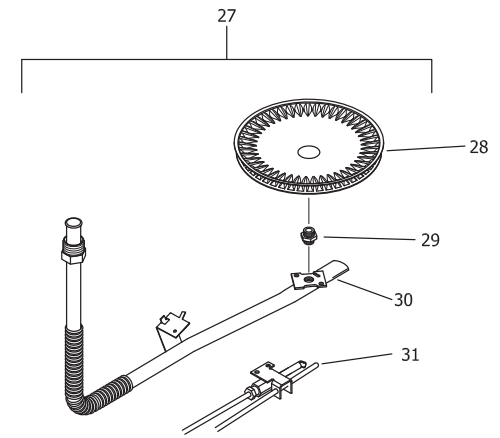
Dimensions and specifications
subject to change without notice.



As required by the state of California Proposition 65.



NATURAL GAS BURNER ASSEMBLY



LP GAS BURNER ASSEMBLY

| Item | Description | Model | Model |
|------|---|--------------------|--------------------|
| | | RG250H*(N,X) | LG250H65*(N,X) |
| 1 | Draft Diverter | 239-33081-02-20-15 | 239-33081-02-20-15 |
| 2 | Flue Reducer | 243-42572-00 | 243-42572-00 |
| 3 | Hot Water Outlet Anode (Magnesium)▲# | 224-47776-19 | 224-47776-19 |
| | Hot Water Outlet (Aluminum)▲# | 224-32999-28 | 224-32999-28 |
| | Hot Water Outlet (A420 Aluminum)▲# | 224-49560-10 | 224-49560-10 |
| 4 | Flue Core | 239-51837-00 | 239-51837-00 |
| 5 | Cold Water Inlet Dip Tube (PEX)▲ | 229-45092-06 | 229-45092-08 |
| 6 | T&P Relief Valve | 230-40594-02 | 230-40594-02 |
| 7 | 3/4 NPT Pipe Plug | 239-11638-00 | 239-11638-00 |
| 8 | Feedline Clip | 239-47475-00 | 239-47475-00 |
| 9 | Right Side Inner Door Complete | 239-43963-07 | 239-43963-07 |
| 10 | Screw-#8-15 x 3/4 INHXWS | 239-44195-00 | 239-44195-00 |
| 11 | Screw-#10-12 x 3/4 HWH | 239-44113-00 | 239-44113-00 |
| 12 | Left Side Inner Door Complete | 239-43968-18 | 239-43968-18 |
| 13 | Resettable Thermal Switch | 239-43676-02 | 239-43676-02 |
| 14 | Screw-#6-20 x 3/8 PHCR | 239-43967-00 | 239-43967-00 |
| 15 | Outer Door | 243-43962-00 | 243-43962-00 |
| 16 | Brass Drain Valve | 265-42351-02 | 265-42351-02 |
| 17 | Gas Control Direct Replacement (Nat. Gas) | 415-52907-02 | 415-52908-02 |
| | Gas Control Direct Replacement (LP Gas) | 415-52909-02 | 415-52910-02 |
| | Gas Control Universal Replacement (Nat. Gas) | 415-53359-00 | 415-53359-00 |
| | Gas Control Universal Replacement (LP Gas) | 415-53360-00 | 415-53360-00 |
| 18 | Kit-Heat Trap Insert (Inlet & Outlet) | 265-45420-00 | 265-51572-00 |
| 19 | ASSE Approved Mixing Valve (Optional) | 239-51778-00 | 239-51778-00 |
| 20 | Inner Door Gasket Kit | 239-44078-00 | 239-44078-00 |
| 21 | Resettable Thermal Switch Kit (5 pcs.) | 265-48643-02 | 265-48643-02 |
| | Natural Gas Burner Assembly | | |
| 22 | Nat Gas Burner Assembly Complete*** ** | 265-47439-05-27 | 265-47439-05-27 |
| 23 | Nat. Gas Burner** | 228-42506-00 | 228-42506-00 |
| 24 | Nat. Gas Main Burner Orifice** (0 Ft. to 2,000 Ft.) | 234-41034-27 | 234-41034-27 |
| | Nat. Gas High Altitude Orifice 0 Ft. to 7000 Ft. (-475 model suffixes) ** | 234-41034-30 | 234-41034-30 |
| | Nat. Gas High Altitude Kit 7,001 Ft. to 10,000 Ft. | 265-51311-02-31 | 265-51311-02-31 |
| 25 | Feedline | 233-48094-04 | 233-48094-04 |
| 26 | Nat. Gas Pilot Assembly** | 233-47845-05 | 233-47845-05 |
| | LP Gas Burner Assembly | | |
| 27 | LP Gas Burner Assembly Complete*** ** | 265-47440-12-43 | 265-47440-12-43 |
| 28 | LP Gas Burner** | 228-47000-00 | 228-47000-00 |
| 29 | LP Gas Main Burner Orifice** | 234-47064-43 | 234-47064-43 |
| | LP Gas High Altitude Orifice 0 Ft. to 7,000 Ft. (-475 model suffixes) ** | 234-47064-46 | 234-47064-46 |
| | LP Gas High Altitude Orifice 7,001 Ft. to 10,000 Ft.** | 265-51367-02-48 | 265-51367-02-48 |
| 30 | Feedline | 233-47108-04 | 233-47108-04 |
| 31 | LP Gas Pilot Assembly** | 233-47846-04 | 233-47846-04 |
| | LP to Nat. Gas Conversion Kit | 265-45712-82 | 265-45712-86 |
| | LP to Nat. Gas High Altitude Conversion Kit (-475 model suffixes) | 265-45712-83 | 265-45712-87 |

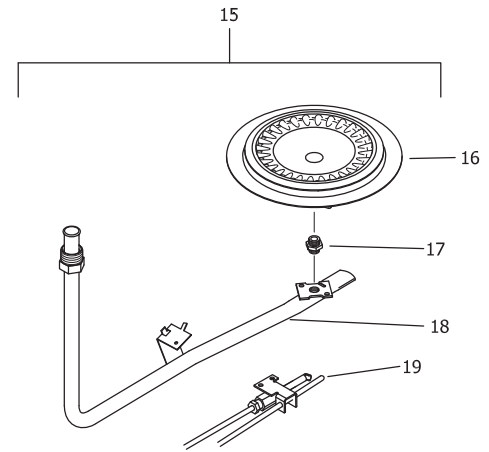
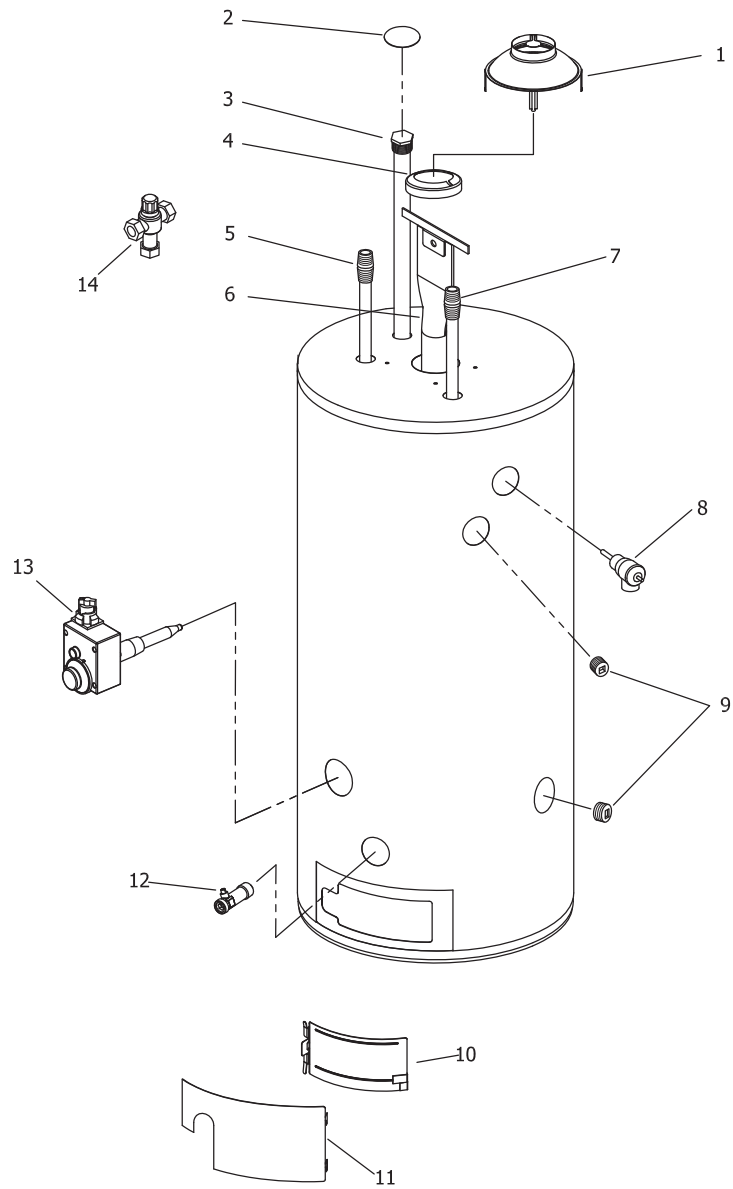
*Applies to all warranties

**Inner door gasket kit recommended

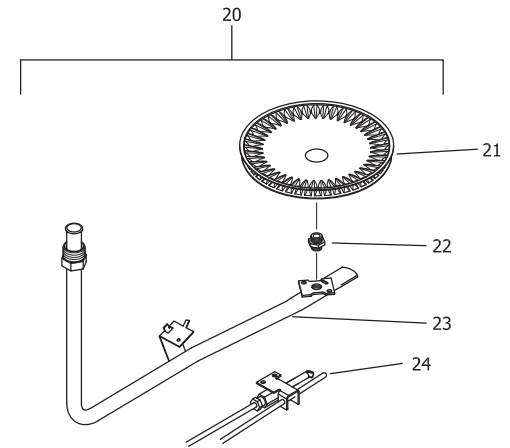
***Ordering a complete burner assembly may increase delivery time.
Please order the specific component required for the quickest delivery.

#Anode may need to be cut to length, please see page 12 reference chart of anode length by model.

▲Order with item 20



NATURAL GAS BURNER ASSEMBLY



LP GAS BURNER ASSEMBLY

| Item | Description | Model | Model |
|------|---|--------------------|--------------------|
| | | RG155H*(N,X) | LG155H80*(N,X) |
| 1 | Draft Diverter | 239-33081-02-20-15 | 239-33081-02-20-15 |
| 2 | Hole Closure | 239-31547-02 | 239-31547-02 |
| 3 | Hex head Sacrificial Anode (Magnesium) # | 224-47782-08 | 224-47782-08 |
| | Hex head Sacrificial Anode (Aluminum) # | 224-38508-07 | 224-38508-07 |
| | Hex head Sacrificial Anode (A420 Aluminum) # | 224-49559-04 | 224-49559-04 |
| 4 | Flue Reducer | 243-42572-00 | 243-42572-00 |
| 5 | Hot Water Outlet Anode (Magnesium) # | 224-47776-13 | 224-47776-13 |
| | Hot Water Outlet Anode (Aluminum) # | 224-32999-13 | 224-32999-13 |
| | Hot Water Outlet Anode (A420 Aluminum) # | 224-49560-05 | 224-49560-05 |
| 6 | Flue Core | 239-45676-00 | 239-45676-00 |
| 7 | Cold Water Inlet Dip Tube (Polysulfone) | 229-45092-02 | 229-45092-02 |
| 8 | T&P Relief Valve | 230-40594-02 | 230-40594-02 |
| 9 | 3/4 NPT Pipe Plug | 239-11638-00 | 239-11638-00 |
| 10 | Inner Door Assembly | 243-46049-00 | 243-46049-00 |
| 11 | Outer Door | 243-41061-00 | 243-41061-00 |
| 12 | Brass Drain Valve | 265-42351-02 | 265-42351-02 |
| 13 | Gas Control Direct Replacement (Natural Gas) | 265-47444-01 | 265-47444-01 |
| | Gas Control Direct Replacement (LP Gas) | 265-47445-01 | 265-47445-01 |
| 14 | ASSE Approved Mixing Valve (Optional) | 239-51778-00 | 239-51778-00 |
| | <u>Natural Gas Burner Assembly</u> | | |
| 15 | Nat Gas Burner Assembly Complete*** | 265-46004-03-20 | 265-46004-03-20 |
| 16 | Nat. Gas Burner** | 228-42506-00 | 228-42506-00 |
| 17 | Nat. Gas Main Burner Orifice 0 Ft. to 2,000 Ft.** | 234-41034-20 | 234-41034-20 |
| | Nat. Gas High Altitude 0 Ft. to 7000 Ft. (-475 model suffixes)** | 234-41034-26 | 234-41034-26 |
| | Nat. Gas High Altitude Kit 7,001 Ft. to 10,000 Ft. | 265-51311-02-29 | 265-51311-02-29 |
| 18 | Feedline ** | 233-43660-15 | 233-43660-15 |
| 19 | Nat. Gas Pilot Assembly** | 233-40248-05 | 233-40248-05 |
| | <u>LP Gas Burner Assembly</u> | | |
| 20 | LP Gas Burner Assembly Complete*** | 265-47037-03-38 | 265-47037-03-38 |
| 21 | LP Gas Burner** | 228-46938-00 | 228-46938-00 |
| 22 | LP Gas Main Burner Orifice 0 Ft. to 2,000 Ft.** | 234-47064-38 | 234-47064-38 |
| | LP Gas High Altitude Orifice 0 Ft. to 7,000 Ft. (-475 model suffixes)** | 234-47064-42 | 234-47064-42 |
| | LP Gas High Altitude Kit 7,001 Ft. to 10,000 Ft. | 265-51367-02-44 | 265-51367-02-44 |
| 23 | Feedline** | 233-46939-02 | 233-46939-02 |
| 24 | LP Gas Pilot Assembly** | 233-40261-03 | 233-40261-03 |
| | LP to Nat. Gas Conversion Kit | 265-45713-04 | 265-45713-04 |
| | LP to Nat. Gas High Altitude Conversion Kit | 265-45713-06 | 265-45713-06 |

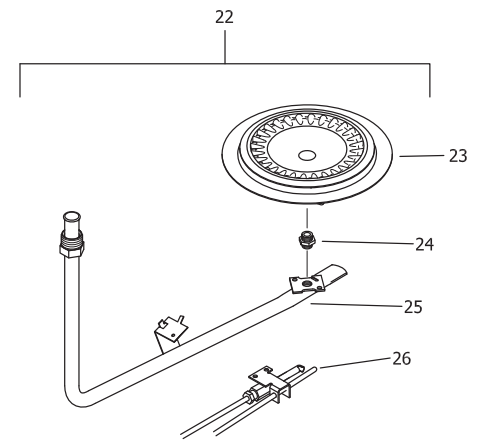
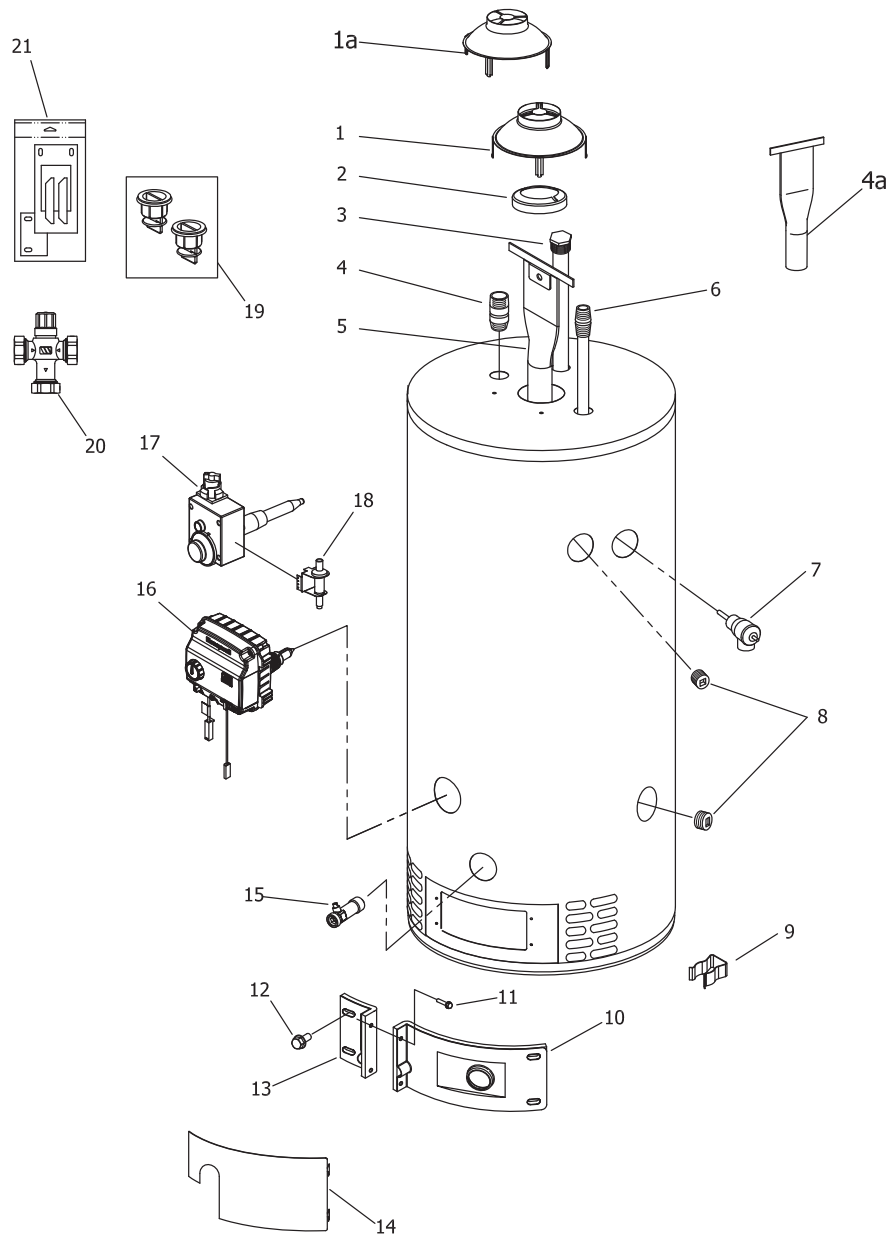
*Applies to all warranties

** Inner Door Gasket Kit Recommended

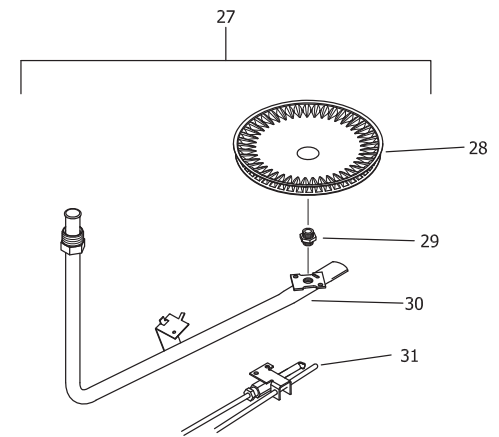
***Ordering a complete burner assembly may increase delivery time.

Please order the specific component required for the quickest delivery.

#Anode may need to be cut to length, please see page 12 reference chart of anode length by model.



NATURAL GAS BURNER ASSEMBLY



LP GAS BURNER ASSEMBLY

| Item Description | Model | Model | Model | Model |
|---|-----------------|-----------------|------------------|--------------------|
| | RG275H*(N,X) | LG275H76*(N,X) | RG275H*(N,X)-500 | LG275H76*(N,X)-500 |
| 1 Draft Diverter ■ | 239-12950-00 | 239-12950-00 | 239-12950-00 | 239-12950-00 |
| 1a Draft Diverter ► | 243-33081-01 | 243-33081-01 | 243-33081-01 | 243-33081-01 |
| 2 Flue Reducer | 243-42572-00 | 243-42572-00 | 243-42572-00 | 243-42572-00 |
| 3 Hex head Sacrificial Anode (Magnesium) # | 224-47782-08 | 224-47782-08 | 224-47782-08 | 224-47782-08 |
| Hex head Sacrificial Anode (Aluminum) # | 224-38508-07 | 224-38508-07 | 224-38508-07 | 224-38508-07 |
| Hex head Sacrificial Anode (A420 Aluminum) # | 224-49559-04 | 224-49559-04 | 224-49559-04 | 224-49559-04 |
| 4 Outlet Nipple 1 NPT X 2 1/2" | 229-50053-02 | 229-50053-02 | 229-50053-02 | 229-50053-02 |
| 5 Flue Core ► | 239-50666-00 | 239-50666-00 | 239-50666-00 | 239-50666-00 |
| 6 Cold Water Inlet Dip Tube (Polysulfone) | 229-47040-01 | 229-47040-01 | 229-47040-01 | 229-47040-01 |
| 7 T&P Relief Valve | 230-40594-02 | 230-40594-02 | 230-40594-02 | 230-40594-02 |
| 8 3/4 NPT Pipe Plug | 239-11638-00 | 239-11638-00 | 239-11638-00 | 239-11638-00 |
| 9 Feedline Clip | 239-47475-00 | 239-47475-00 | 239-47475-00 | 239-47475-00 |
| 10 Right Side Inner Door Complete | 239-47504-22 | 239-47504-22 | 239-47504-22 | 239-47504-22 |
| 11 Screw-#8-15 x 3/4 INHXWS | 239-44195-00 | 239-44195-00 | 239-44195-00 | 239-44195-00 |
| 12 Screw-#10-12 x 3/4 HWH | 239-44113-00 | 239-44113-00 | 239-44113-00 | 239-44113-00 |
| 13 Left Side Inner Door Complete | 239-43968-20 | 239-43968-20 | 239-43968-20 | 239-43968-20 |
| 14 Outer Door | 243-43962-00 | 243-43962-00 | 243-43962-00 | 243-43962-00 |
| 15 Brass Drain Valve | 265-42351-02 | 265-42351-02 | 265-42351-02 | 265-42351-02 |
| 16 Honeywell Gas Control Direct Replacement (Natural Gas) | 415-53361-03 | 415-53361-05 | --- | --- |
| Honeywell Gas Control Direct Replacement (LP Gas) | 415-53361-04 | 415-53361-06 | --- | --- |
| 17 White Rodgers Gas Control Direct Replacement (Natural Gas) | --- | --- | 265-40251-03 | 265-46365-02 |
| White Rodgers Gas Control Direct Replacement (LP Gas) | --- | --- | 265-40258-03 | 265-46366-02 |
| 18 Piezo Igniter Kit | --- | --- | 243-43450-00 | 243-43450-00 |
| 19 Kit-Heat Trap Insert (Inlet & Outlet) | 265-51572-00 | 265-51572-00 | 265-51572-00 | 265-51572-00 |
| 20 ASSE Approved Mixing Valve (Optional) | 239-51778-00 | 239-51778-00 | 239-51778-00 | 239-51778-00 |
| 21 Inner Door Gasket Kit | 239-47792-00 | 239-47792-00 | 239-47792-00 | 239-47792-00 |
| Natural Gas Burner Assembly | | | | |
| 22 Nat Gas Burner Assembly Complete*** | 265-48110-05-22 | 265-48110-05-22 | 265-47767-02-22 | 265-47767-02-22 |
| 23 Nat. Gas Burner ** | 228-47000-00 | 228-47000-00 | 228-47000-00 | 228-47000-00 |
| 24 Nat. Gas Main Burner Orifice 0 Ft. to 2,000 Ft.** | 234-41034-22 | 234-41034-22 | 234-41034-22 | 234-41034-22 |
| Nat. Gas High Altitude 0 Ft. to 7000 Ft. (-475 model suffixes) ** | 234-41034-27 | 234-41034-27 | 234-41034-27 | 234-41034-27 |
| Nat. Gas High Altitude Kit 7,001 Ft. to 10,000 Ft. | 265-51311-01-29 | 265-51311-01-29 | 265-51311-01-29 | 265-51311-01-29 |
| 25 Feedline ** | 233-48095-04 | 233-48095-04 | 233-48095-04 | 233-48095-04 |
| 26 Nat. Gas Pilot Assembly ** | 233-48077-03 | 233-48077-03 | 233-41062-03 | 233-41062-03 |
| LP Gas Burner Assembly | | | | |
| 27 LP Gas Burner Assembly Complete*** | 265-48254-02-38 | 265-48254-02-38 | 265-47768-02-38 | 265-47768-02-38 |
| 28 LP Gas Burner ** | 228-46938-00 | 228-46938-00 | 228-46938-00 | 228-46938-00 |
| 29 LP Gas Main Burner Orifice 0 Ft. to 2,000 Ft.** | 234-47064-38 | 234-47064-38 | 234-47064-38 | 234-47064-38 |
| LP Gas High Altitude 0 Ft. to 7,000 Ft. (-475 model suffixes) ** | 234-47064-42 | 234-47064-42 | 234-47064-42 | 234-47064-42 |
| LP Gas High Altitude Kit 7,001 Ft. to 10,000 Ft. | 265-51367-03-44 | 265-51367-03-44 | 265-51367-03-44 | 265-51367-03-44 |
| 30 Feedline ** | 233-47677-04 | 233-47677-04 | 233-47677-04 | 233-47677-04 |
| 31 LP Gas Pilot Assembly ** | 233-48078-03 | 233-48078-03 | 233-41063-03 | 233-41063-03 |
| LP to Nat. Gas Conversion Kit | 265-53403-07 | 265-53403-09 | 265-45754-02 | 265-45754-07 |
| LP to Nat. Gas High Altitude Conversion Kit | 265-53403-11 | 265-53403-11 | 265-45754-05 | 265-45754-05 |

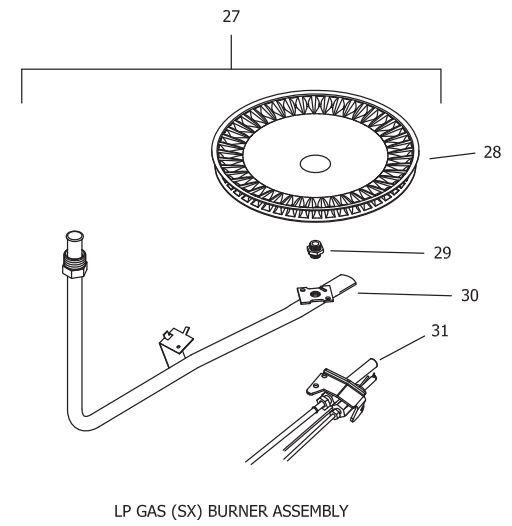
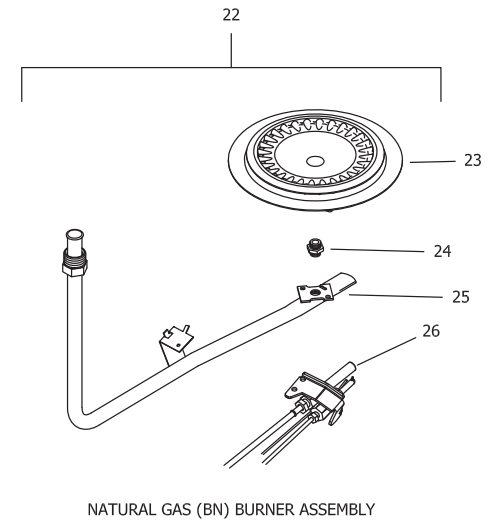
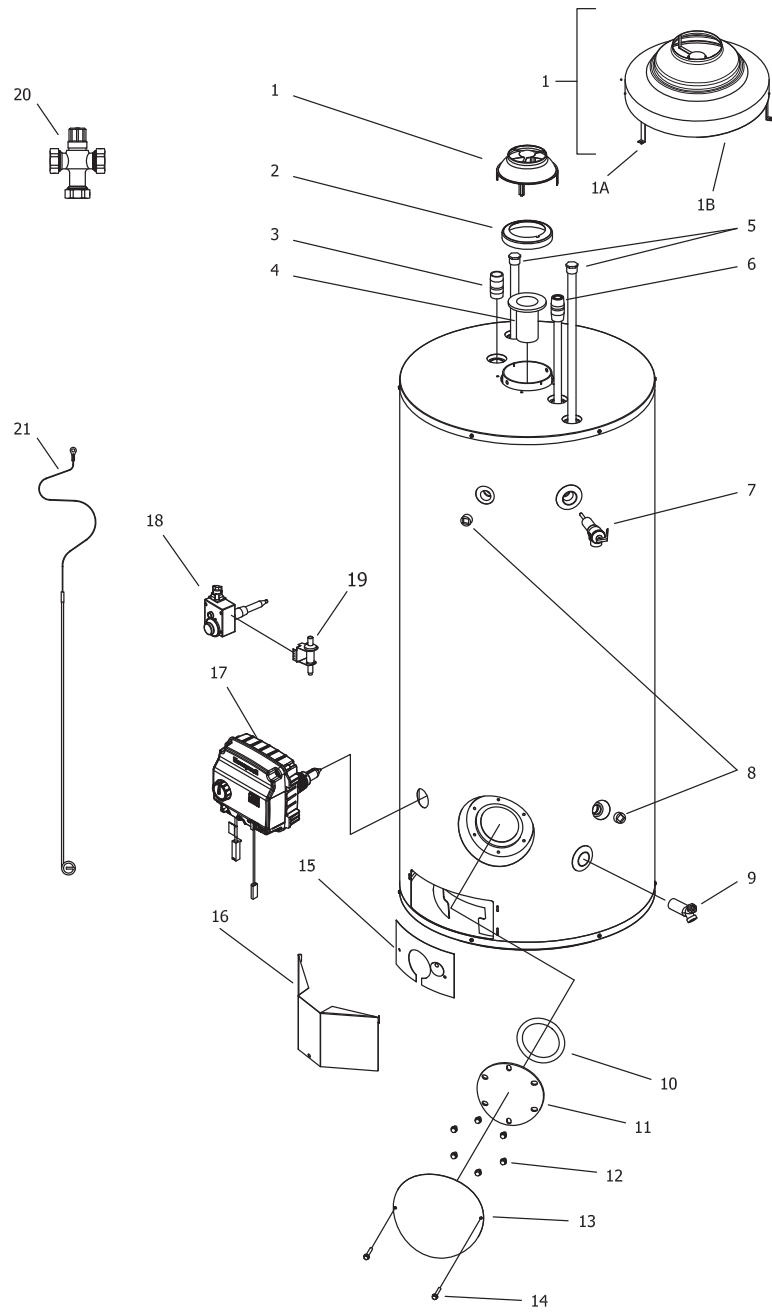
- For serial numbers starting before "XX"
- For serial numbers starting with or after "XX"

#Anode may need to be cut to length, please see page 12 reference chart of anode length by model.

*Applies to all warranties

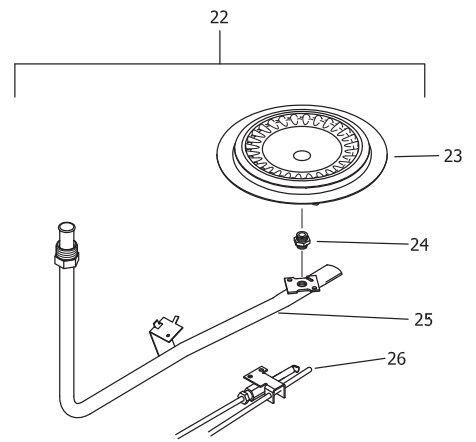
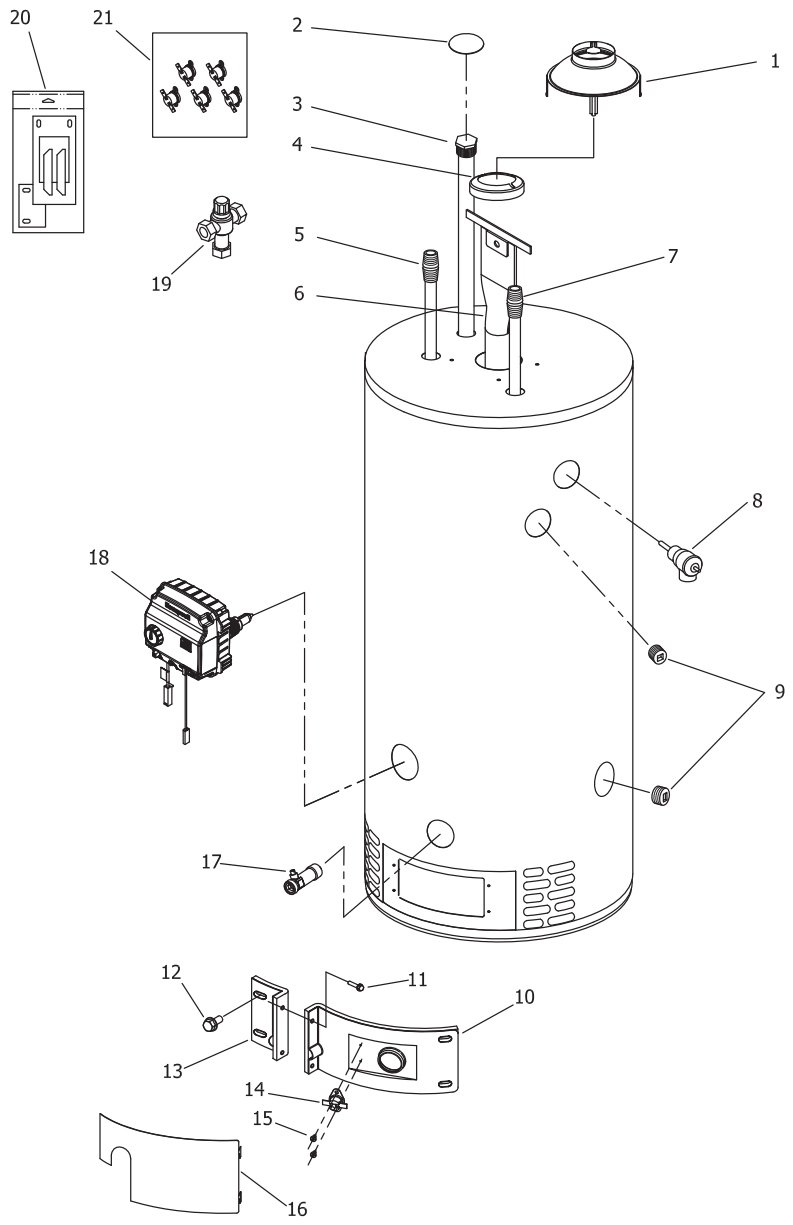
** Inner Door Gasket Kit Recommended

***Ordering a complete burner assembly may increase delivery time.
Please order the specific component required for the quickest delivery.

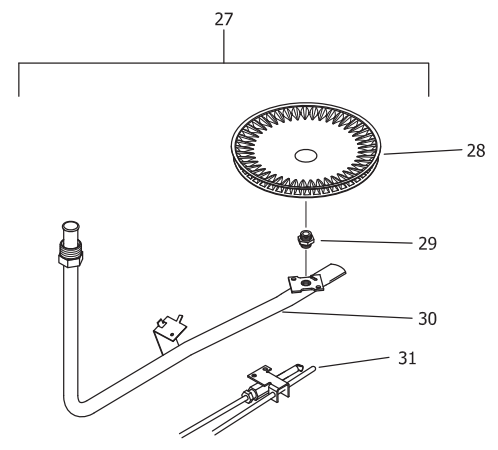


| Item Description | Model | Model | Model | Model |
|---|-----------------|-----------------|-------------------|---------------------|
| | RG2100H*(N,X) | LG2100H*85(N,X) | RG2100H*(N,X)-500 | LG2100H*85(N,X)-500 |
| 1 Draft Diverter assembly kit ▶ | 265-52089-00 | 265-52089-00 | 265-52089-00 | 265-52089-00 |
| 1A Draft Diverter Leg Kit Only▶ | 243-43689-03 | 243-43689-03 | 243-43689-03 | 243-43689-03 |
| 1B Draft Diverter Only▶ | 239-52089-00-16 | 239-52089-00-16 | 239-52089-00-16 | 239-52089-00-16 |
| 2 Flue Reducer | 243-36920-00 | 243-36920-00 | 243-36920-00 | 243-36920-00 |
| 3 Outlet Nipple | 229-40913-03 | 229-40913-03 | 229-40913-03 | 229-40913-03 |
| 4 Flue Core ▶ | 239-52063-00 | 239-52063-00 | 239-52063-00 | 239-52063-00 |
| 5 Hex head Sacrificial Anode (x2) (Magnesium) # | 224-47782-08 | 224-47782-08 | 224-47782-08 | 224-47782-08 |
| Hex head Sacrificial Anode (x2) (Aluminum) # | 224-38508-07 | 224-38508-07 | 224-38508-07 | 224-38508-07 |
| Hex head Sacrificial Anode (x2) (A420 Aluminum) # | 224-49559-04 | 224-49559-04 | 224-49559-04 | 224-49559-04 |
| 6 Cold Water Inlet Dip Tube (Polysulfone) | 229-46993-01 | 229-46993-01 | 229-46993-01 | 229-46993-01 |
| 7 T&P Relief Valve | 230-40594-02 | 230-40594-02 | 230-40594-02 | 230-40594-02 |
| 8 3/4 NPT Pipe Plug | 239-11638-00 | 239-11638-00 | 239-11638-00 | 239-11638-00 |
| 9 Brass Drain Valve | 265-42351-02 | 265-42351-02 | 265-42351-02 | 265-42351-02 |
| 10 Cleanout O-Ring Gasket | 205-18427-00 | 205-18427-00 | 205-18427-00 | 205-18427-00 |
| 11 Cleanout Cover | 205-18428-00 | 205-18428-00 | 205-18428-00 | 205-18428-00 |
| 12 Cleanout Screw 5/16-18x1/2 hex (x6) | 239-82166-00 | 239-82166-00 | 239-82166-00 | 239-82166-00 |
| 13 Cleanout Jacket Cover | 243-20299-00 | 243-20299-00 | 243-20299-00 | 243-20299-00 |
| 14 Cleanout Jacket Cover Screw 1/2-13x1 1/4 (x2) | 239-43251-00 | 239-43251-00 | 239-43251-00 | 239-43251-00 |
| 15 Inner Door Complete | 243-39207-00 | 243-39207-00 | 243-39207-00 | 243-39207-00 |
| 16 Outer Door | 243-37177-00 | 243-37177-00 | 243-37177-00 | 243-37177-00 |
| 17 Honeywell Gas Control Direct Replacement (Natural Gas) | 415-53361-03 | 415-53361-05 | --- | --- |
| Honeywell Gas Control Direct Replacement (LP Gas) | 415-53361-04 | 415-53361-06 | --- | --- |
| 18 White Rodgers Gas Control Direct Replacement (Natural Gas) | --- | --- | 265-40251-07 | 265-46365-04 |
| White Rodgers Gas Control Direct Replacement (LP Gas) | --- | --- | 265-40258-06 | 265-46366-03 |
| 19 Piezo Igniter Kit | --- | --- | 243-43450-00 | 243-43450-00 |
| 20 ASSE Approved Mixing Valve (Optional) | 239-51778-00 | 239-51778-00 | 239-51778-00 | 239-51778-00 |
| 21 Match holder with cable | --- | --- | 239-39336-00 | 239-39336-00 |
| <u>Natural Gas Burner Assembly</u> | | | | |
| 22 Nat Gas Burner Assembly Complete*** | 265-52024-00-18 | 265-52024-00-18 | 265-52047-00-18 | 265-52047-00-18 |
| 23 Nat. Gas Burner ** | 228-52013-00 | 228-52013-00 | 228-52013-00 | 228-52013-00 |
| 24 Nat. Gas Main Burner Orifice 0 Ft. to 2,000 Ft.** | 234-41034-18 | 234-41034-18 | 234-41034-18 | 234-41034-18 |
| Nat. Gas High Altitude 0 Ft. to 7000 Ft. (-475 model suffixes) ** | 234-41034-23 | 234-41034-23 | 234-41034-23 | 234-41034-23 |
| Nat. Gas High Altitude Kit 7,001 Ft. to 10,000 Ft. | 265-51311-03-27 | 265-51311-03-27 | 265-51311-03-27 | 265-51311-03-27 |
| 25 Feedline ** | 233-48209-01 | 233-48209-01 | 233-48209-01 | 233-48209-01 |
| 26 Nat. Gas Pilot Assembly ** | 233-48077-03 | 233-48077-03 | 233-40248-05 | 233-40248-05 |
| <u>LP Gas Burner Assembly</u> | | | | |
| 27 LP Gas Burner Assembly Complete*** | 265-48255-01-35 | 265-48255-01-35 | 265-47013-01-35 | 265-47131-01-35 |
| 28 LP Gas Burner ** | 228-46938-00 | 228-46938-00 | 228-46938-00 | 228-46938-00 |
| 29 LP Gas Main Burner Orifice 0 Ft. to 2,000 Ft.** | 234-47064-35 | 234-47064-35 | 234-47064-35 | 234-47064-35 |
| LP Gas High Altitude 0 Ft. to 7,000 Ft. (-475 model suffixes) ** | 234-47064-39 | 234-47064-39 | 234-47064-39 | 234-47064-39 |
| LP Gas High Altitude Kit 7,001 Ft. to 10,000 Ft. | 265-51367-01-42 | 265-51367-01-42 | 265-51367-01-42 | 265-51367-01-42 |
| 30 Feedline ** | 233-47065-02 | 233-47065-02 | 233-47065-02 | 233-47065-02 |
| 31 LP Gas Pilot Assembly ** | 233-48078-03 | 233-48078-03 | 233-40261-03 | 233-41063-03 |
| LP to Nat. Gas Conversion Kit | 265-53403-02 | 265-53403-01 | 265-53403-02 | 265-53403-01 |
| LP to Nat. Gas High Altitude Conversion Kit | 265-53403-12 | 265-53403-12 | 265-53403-12 | 265-53403-12 |

- For serial numbers starting before "ND"
- ▶ For serial numbers starting with or after "ND"
- #Anode may need to be cut to length, please see page 12 reference chart of anode length by model.
- *Applies to all warranties
- ** Inner Door Gasket Kit Recommended
- ***Ordering a complete burner assembly may increase delivery time.
- Please order the specific component required for the quickest delivery.



NATURAL GAS BURNER ASSEMBLY



LP GAS BURNER ASSEMBLY

| Item | Description | Model | Model |
|------|---|--------------------|--------------------|
| | | RG255H*(N,X) | LG255H80*(N,X) |
| 1 | Draft Diverter | 239-33081-02-20-15 | 239-33081-02-20-15 |
| 2 | Hole Closure | 239-31547-02 | 239-31547-02 |
| 3 | Hex head Sacrificial Anode (Magnesium) # | 224-47782-08 | 224-47782-08 |
| | Hex head Sacrificial Anode (Aluminum) # | 224-38508-01 | 224-38508-01 |
| | Hex head Sacrificial Anode (A420 Aluminum) # | 224-49559-04 | 224-49559-04 |
| 4 | Flue Reducer | 243-42572-00 | 243-42572-00 |
| 5 | Hot Water Outlet Anode (Magnesium) # | 224-47776-13 | 224-47776-13 |
| | Hot Water Outlet Anode (Aluminum) # | 224-32999-13 | 224-32999-13 |
| | Hot Water Outlet Anode (A420 Aluminum) # | 224-49560-05 | 224-49560-05 |
| 6 | Flue Core | 239-45676-00 | 239-45676-00 |
| 7 | Cold Water Inlet Dip Tube (Polysulfone) | 229-45092-02 | 229-45092-02 |
| 8 | T&P Relief Valve | 230-40594-03 | 230-40594-03 |
| 9 | 3/4 NPT Pipe Plug | 239-11638-00 | 239-11638-00 |
| 10 | Right Side Inner Door Complete | 239-43963-07 | 239-43963-07 |
| 11 | Screw-#8-18 x 3/4 HWH | 239-44195-00 | 239-44195-00 |
| 12 | Screw-#10-12 x 3/4 HWH | 239-44113-00 | 239-44113-00 |
| 13 | Left Side Inner Door Complete | 239-43968-18 | 239-43968-18 |
| 14 | Resettable Thermal Switch | 239-43676-02 | 239-43676-02 |
| 15 | Screw-#6-20 x 3/8 PHCR | 239-43967-00 | 239-43967-00 |
| 16 | Outer Door | 243-43962-00 | 243-43962-00 |
| 17 | Brass Drain Valve | 227-48070-02 | 227-48070-02 |
| 18 | Gas Control Direct Replacement (Natural Gas) | 415-52908-02 | 415-52908-02 |
| | Gas Control Direct Replacement (LP Gas) | 415-52910-02 | 415-52910-02 |
| 19 | ASSE Approved Mixing Valve (Optional) | 239-51778-00 | 239-51778-00 |
| 20 | Inner Door Gasket Kit | 239-44078-00 | 239-44078-00 |
| 21 | Resettable Thermal Switch Kit (5 pcs.) | 265-48643-02 | 265-48643-02 |
| | Natural Gas Burner Assembly | | |
| 22 | Nat Gas Burner Assembly Complete*** | 265-47439-19-19 | 265-47439-19-19 |
| 23 | Nat. Gas Burner** | 228-47000-00 | 228-47000-00 |
| 24 | Nat. Gas Main Burner Orifice 0 Ft. to 2,000 Ft.** | 234-41034-19 | 234-41034-19 |
| | Nat. Gas High Altitude 0 Ft. to 7000 Ft. (-475 model suffixes)** | 234-41034-25 | 234-41034-25 |
| | Nat. Gas High Altitude Kit 7,001 Ft. to 10,000 Ft. | 265-51311-02-28 | 265-51311-02-28 |
| 25 | Feedline ** | 233-48094-05 | 233-48094-05 |
| 26 | Nat. Gas Pilot Assembly** | 233-47845-05 | 233-47845-05 |
| | LP Gas Burner Assembly | | |
| 27 | LP Gas Burner Assembly Complete*** | 265-47440-30-38 | 265-47440-30-38 |
| 28 | LP Gas Burner** | 228-47000-00 | 228-47000-00 |
| 29 | LP Gas Main Burner Orifice 0 Ft. to 2,000 Ft.** | 234-41034-38 | 234-41034-38 |
| | LP Gas High Altitude Orifice 0 Ft. to 7,000 Ft. (-475 model suffixes)** | 234-41034-42 | 234-41034-42 |
| | LP Gas High Altitude Kit 7,001 Ft. to 10,000 Ft. | 265-51367-02-44 | 265-51367-02-44 |
| 30 | Feedline** | 233-47108-05 | 233-47108-05 |
| 31 | LP Gas Pilot Assembly** | 233-47846-05 | 233-47846-05 |
| | LP to Nat. Gas Conversion Kit | TBD | TBD |
| | LP to Nat. Gas High Altitude Conversion Kit | TBD | TBD |

#Anode may need to be cut to length, please see page 12 reference chart of anode length by model.

*Applies to all warranties

** Inner Door Gasket Kit Recommended

***Ordering a complete burner assembly may increase delivery time.

Please order the specific component required for the quickest delivery.

Reference Chart of Anode Length by Model

| Model | AOD Anode Cut (End to end) | | Hex Head Anode Cut Length (End to end) | |
|---------------------|-------------------------------|-------------|---|-------------|
| | Inches | Millimeters | Inches | Millimeters |
| RG250H*(N,X) | 47.63 | 1210 | --- | --- |
| LG250H65*(N,X) | 47.63 | 1210 | --- | --- |
| RG155H*(N,X) | 43.63 | 1108 | 40 | 1016 |
| LG155H80*(N,X) | 43.63 | 1108 | 40 | 1016 |
| RG275H*(N,X) | --- | --- | 43.5 | 1105 |
| LG275H76*(N,X) | --- | --- | 43.5 | 1105 |
| RG275H*(N,X)-500 | --- | --- | 43.5 | 1105 |
| LG275H76*(N,X)-500 | --- | --- | 43.5 | 1105 |
| RG2100H*(N,X) | --- | --- | 47 | 1194 |
| LG2100H*85(N,X) | --- | --- | 47 | 1194 |
| RG2100H*(N,X)-500 | --- | --- | 47 | 1194 |
| LG2100H*85(N,X)-500 | --- | --- | 47 | 1194 |
| RG255H*(N,X) | 43.63 | 1108 | 40 | 1016 |
| LG255H80*(N,X) | 43.63 | 1108 | 40 | 1016 |