

SPECIFICATIONS

FIGURE 7010Z HANGER



ADJUSTABLE SWIVEL RING HANGER

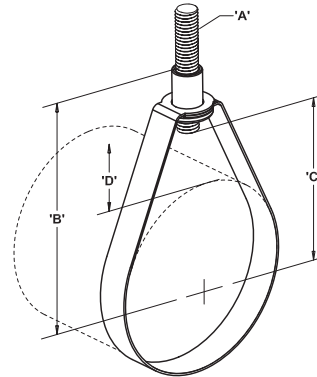
FEATURES

- Finish: Plated
- Color: Zinc
- UL Approved – Sizes 1/2" to 8"
- FM Approved – Sizes 3/4" to 8"
- Hanger body: Pre-Galvanized Carbon Steel ASTM A653

PRODUCT SPECIFICATIONS

Standards

- Design: MSS SP-58, Type 10
- Federal specification: WW-H-171, Type 10
- NFPA 13



Note: A - Rod size (hanger rod not included), B - Center of pipe to top of knurled hanger rod nut
C - Rod take out (center of pipe to bottom of hanger rod), D - Top of pipe to bottom of hanger rod nut

DIMENSIONS

Catalog Number	Pipe Size		A (Rod Size)	B		C		D		Design Load		Weight
	in.	mm		in.	mm	in.	mm	in.	mm	lbs	kN	lbs
FNW7010Z0050	1/2	21.3	3/8"-16UNC	2.32	59	1.34	34	1.06	27	500	2.220	0.09
FNW7010Z0075	3/4	26.7	3/8"-16UNC	2.56	65	1.57	40	1.18	30	500	2.220	0.09
FNW7010Z0100	1	33.4	3/8"-16UNC	2.64	67	1.65	42	1.14	29	500	2.220	0.10
FNW7010Z0125	1-1/4	42.2	3/8"-16UNC	2.72	69	1.73	44	1.06	27	500	2.220	0.10
FNW7010Z0150	1-1/2	48.3	3/8"-16UNC	2.87	73	1.89	48	1.10	28	500	2.220	0.11
FNW7010Z0200	2	60.3	3/8"-16UNC	3.07	78	2.08	53	1.06	27	500	2.220	0.12
FNW7010Z0250	2-1/2	73	3/8"-16UNC	3.39	86	2.40	61	1.06	27	1000	4.440	0.26
FNW7010Z0300	3	88.9	3/8"-16UNC	3.90	99	2.91	74	1.30	33	1000	4.440	0.29
FNW7010Z0350	3-1/2	101.6	3/8"-16UNC	4.09	104	3.11	79	1.26	32	1000	4.440	0.32
FNW7010Z0400	4	114.3	3/8"-16UNC	4.60	117	3.62	92	1.50	38	1000	4.440	0.35
FNW7010Z0500	5	141.3	1/2"-13UNC	5.43	138	4.17	106	1.57	40	1900	8.450	0.52
FNW7010Z0600	6	168.3	1/2"-13UNC	6.34	161	5.08	129	1.97	50	1900	8.450	0.61
FNW7010Z0800	8	219.1	1/2"-13UNC	7.99	203	6.73	171	2.63	67	1900	8.450	0.77